



US00D465410S

(12) **United States Design Patent**
Kikuchi

(10) **Patent No.:** **US D465,410 S**

(45) **Date of Patent:** **** Nov. 12, 2002**

(54) **COMBINED BOTTLE AND CAP**

(75) Inventor: **Taisuke Kikuchi**, Tokyo (JP)

(73) Assignee: **Shiseido Co., Ltd.**, Tokyo (JP)

(**) Term: **14 Years**

(21) Appl. No.: **29/149,741**

(22) Filed: **Oct. 18, 2001**

(51) **LOC (7) Cl.** **09-01**

(52) **U.S. Cl.** **D9/300**

(58) **Field of Search** D9/300, 500, 504,
D9/505, 529, 530, 537; 222/153.11, 153.12,
153.13, 153.14, 321.1, 321.6, 321.7, 321.8,
321.9; D28/91.1

(56) **References Cited**

U.S. PATENT DOCUMENTS

D139,381 S	*	11/1944	Harris	D9/504
D189,374 S	*	11/1960	Harris	D9/504
D322,392 S	*	12/1991	Schneider et al.	D9/300
D422,902 S	*	4/2000	Kiruchi	D9/300
D438,785 S	*	3/2001	Baron	D9/300
D443,202 S	*	6/2001	Boussiquet et al.	D9/300

* cited by examiner

Primary Examiner—Paula A. Mortimer

(74) *Attorney, Agent, or Firm*—Kanesaka & Takeuchi

(57) **CLAIM**

The ornamental design for a combined bottle and cap, as shown and described.

DESCRIPTION

FIG. 1 is a front view of a combined bottle and cap showing my new design, the rear view being identical to the front view;

FIG. 2 is a left side view thereof, the right side view being identical to the left side view;

FIG. 3 is a top plan view thereof;

FIG. 4 is a bottom plan view thereof;

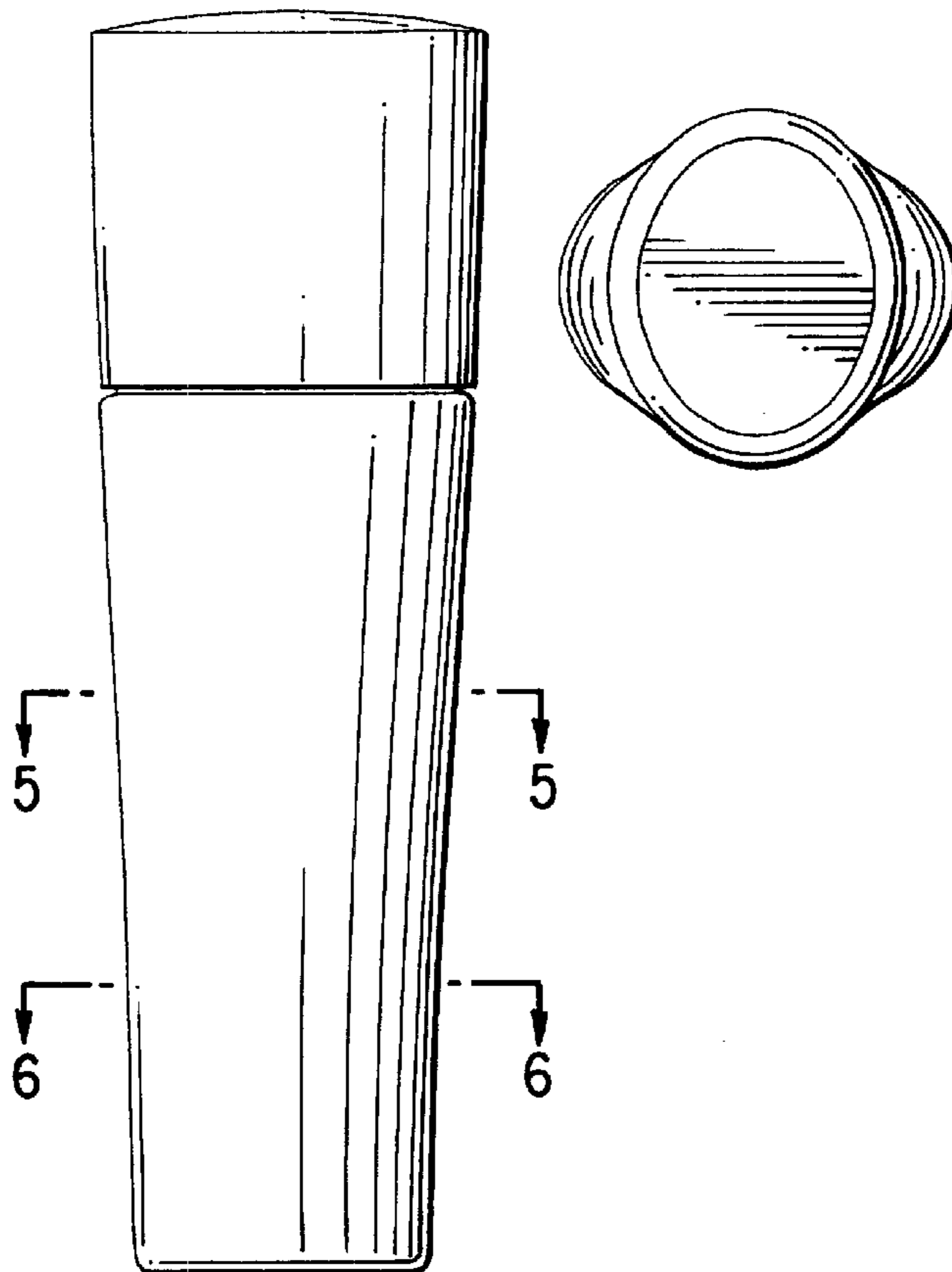
FIG. 5 is a cross sectional view taken along line 5—5 in FIG. 1;

FIG. 6 is a cross sectional view taken along line 6—6 in FIG. 1;

FIG. 7 is a perspective view thereof; and,

FIG. 8 is a perspective view thereof, wherein a cap is removed.

1 Claim, 3 Drawing Sheets



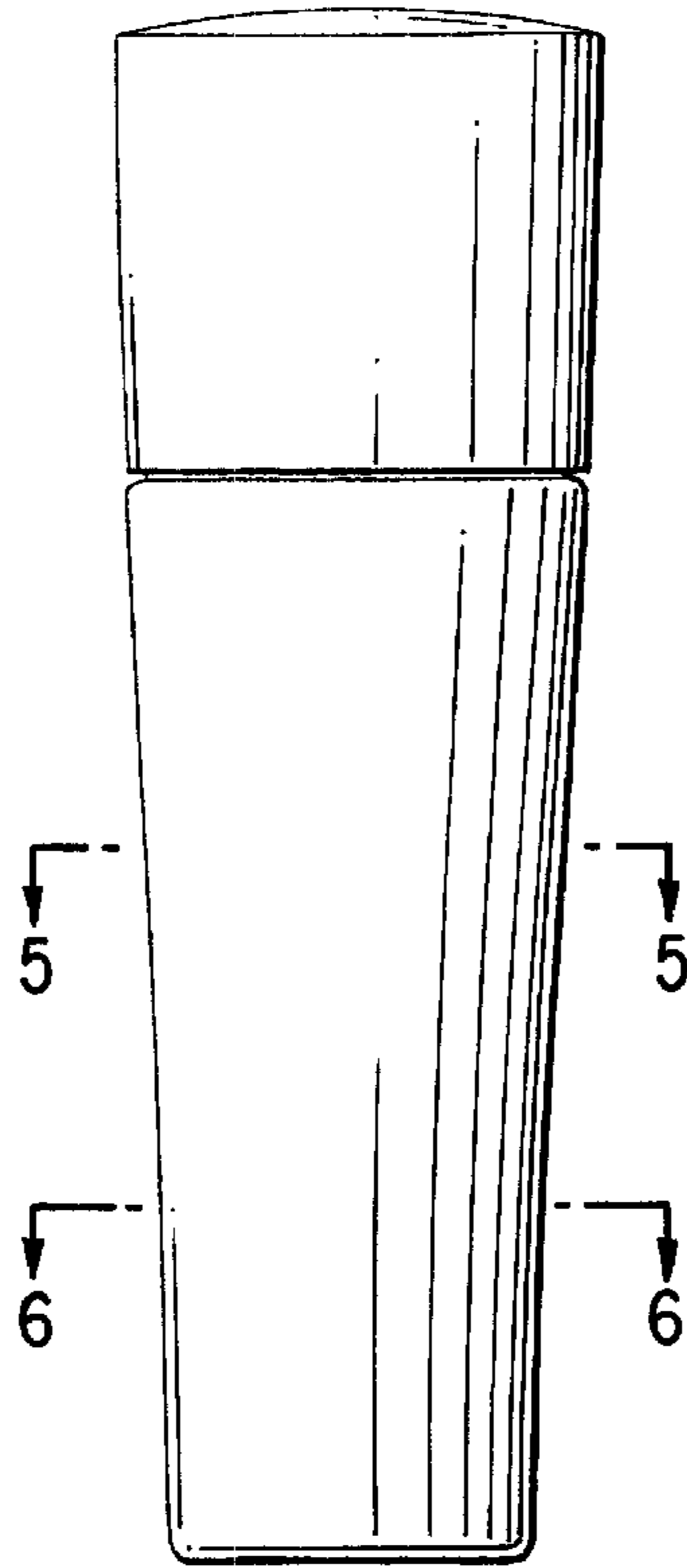


FIG. 1

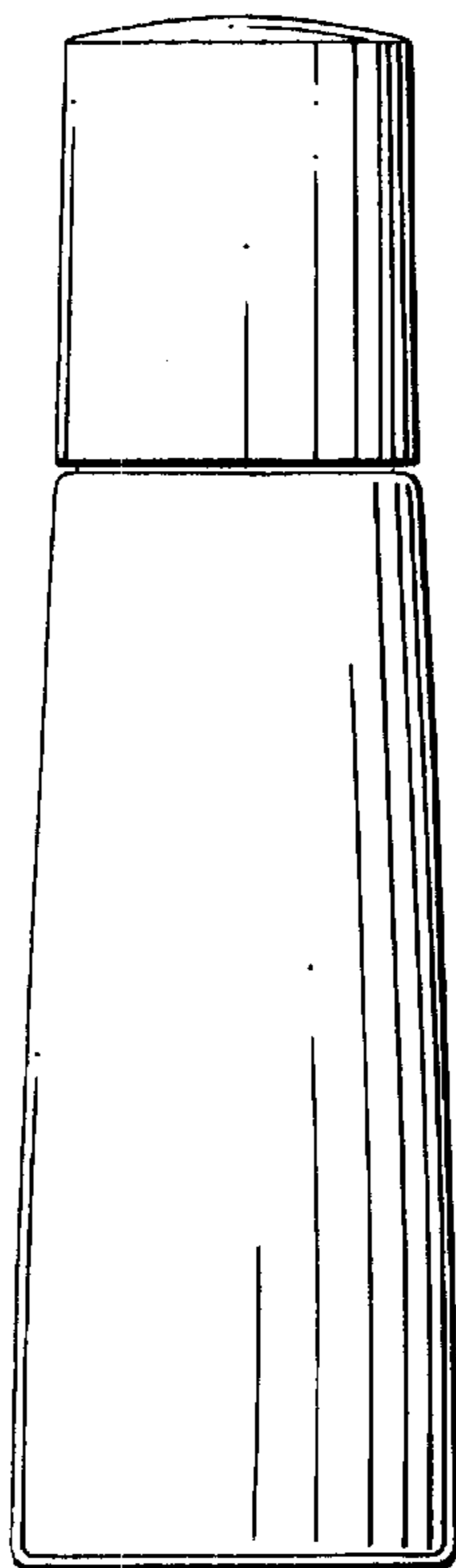


FIG. 2

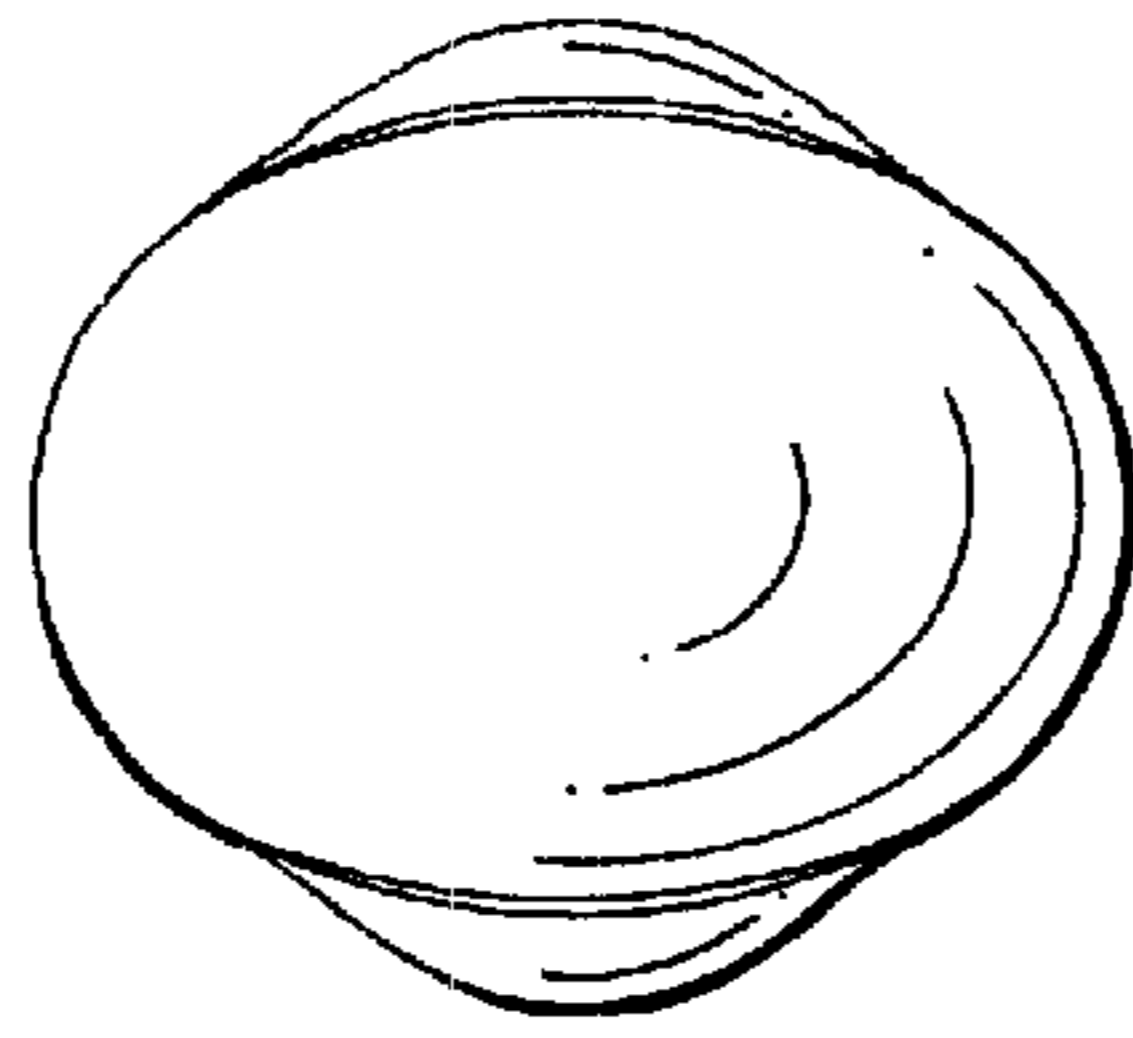


FIG. 3

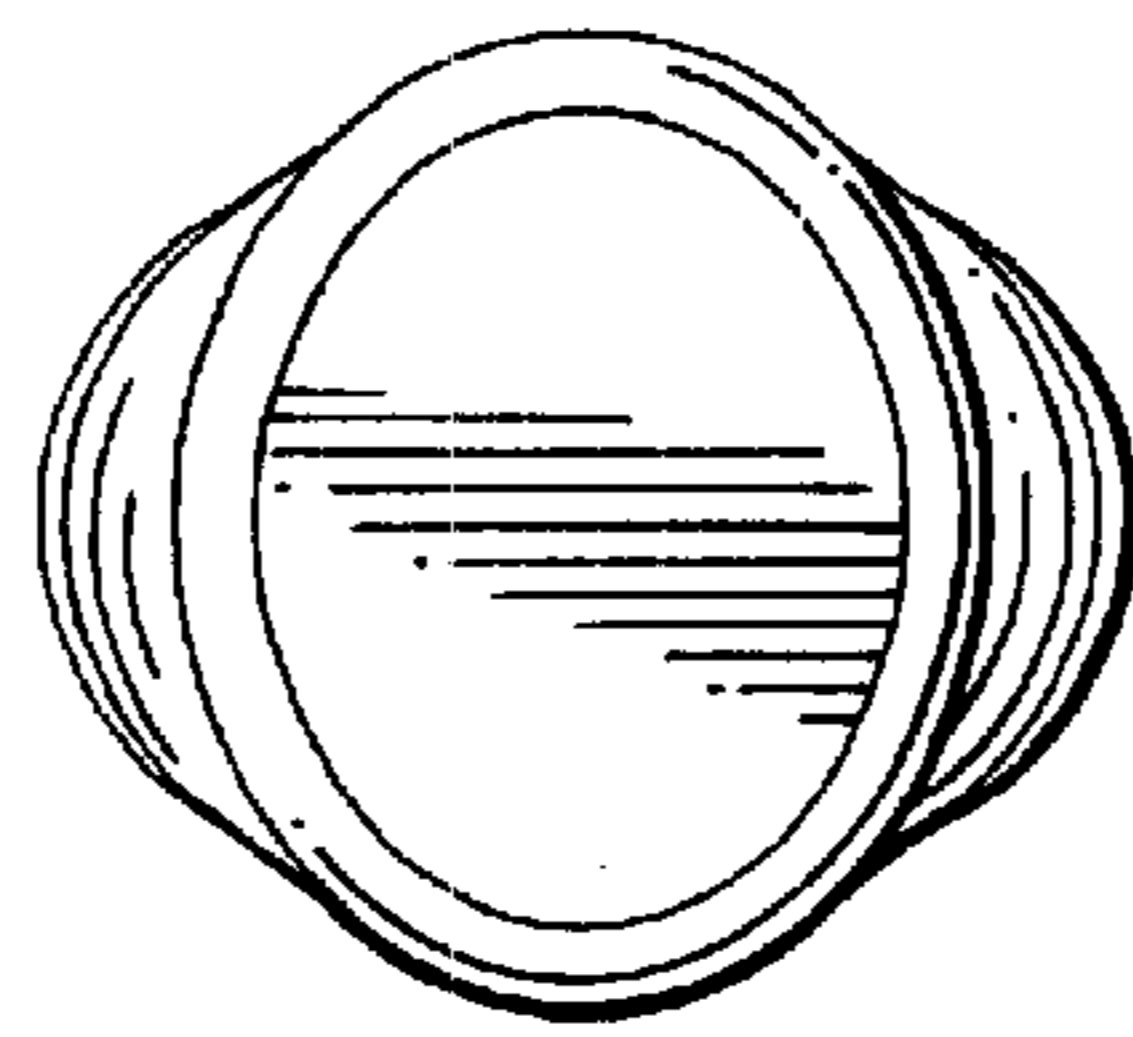


FIG. 4

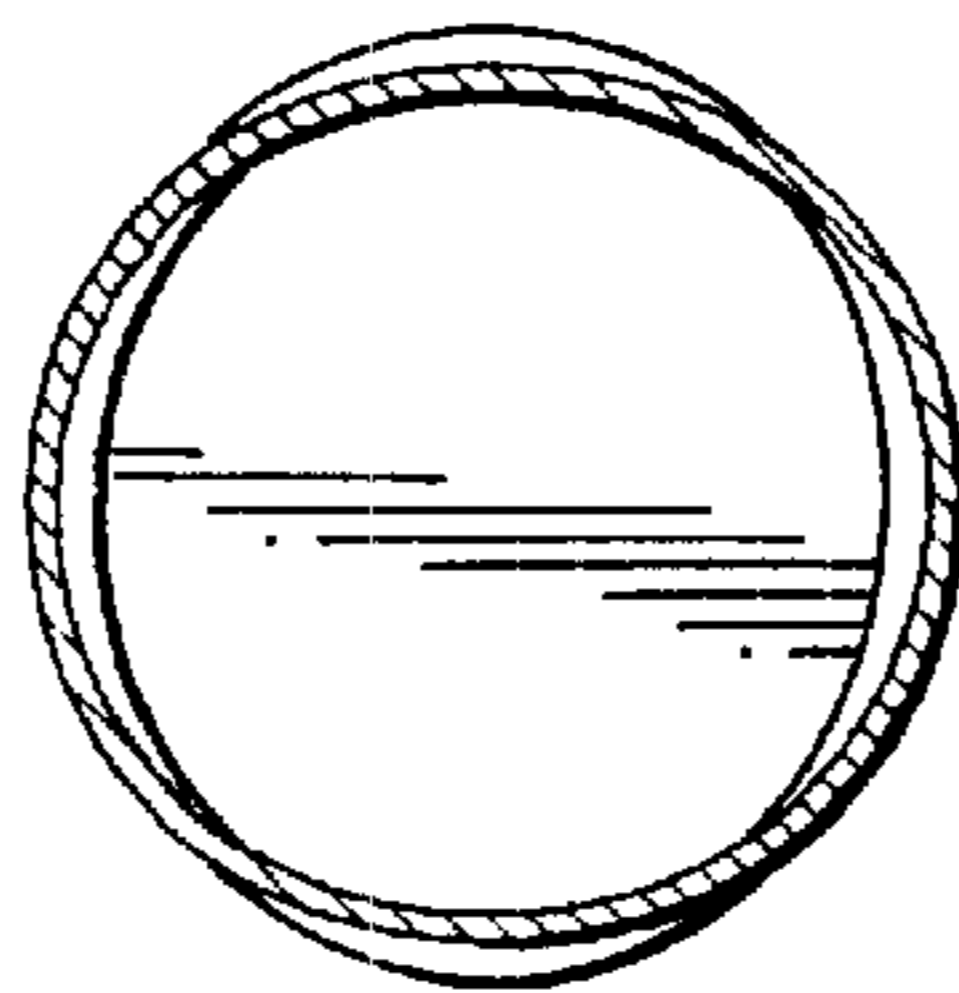


FIG. 5

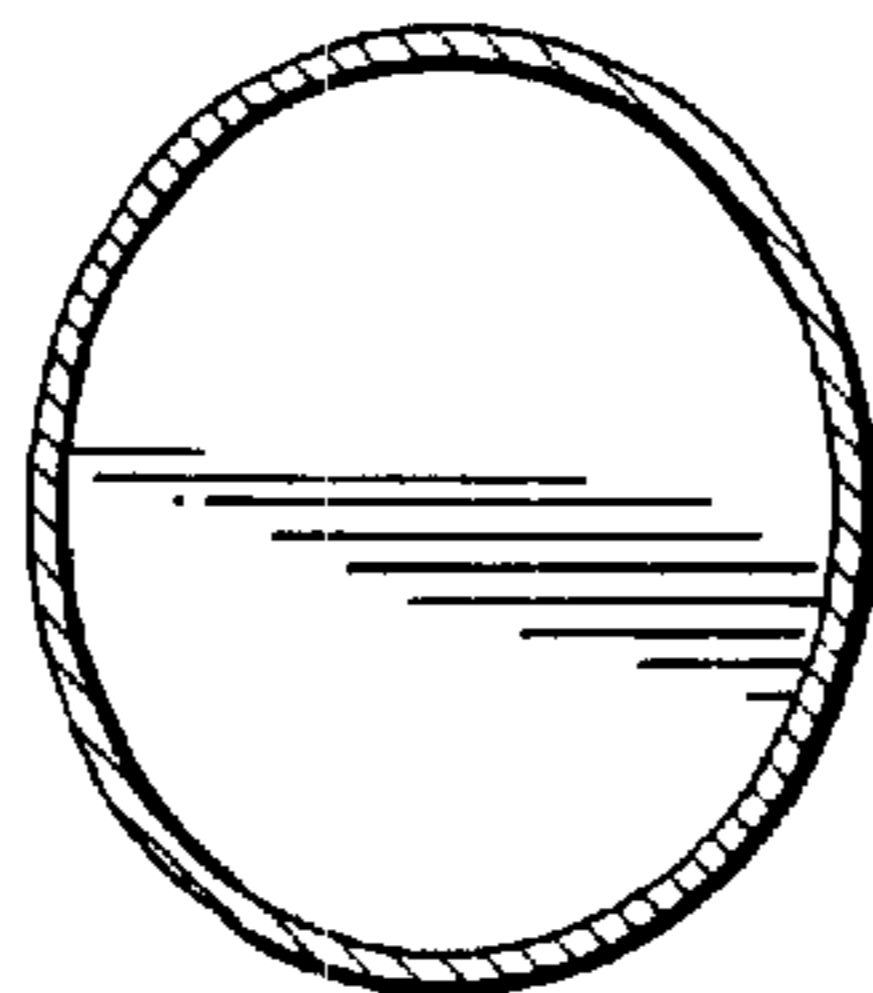


FIG. 6

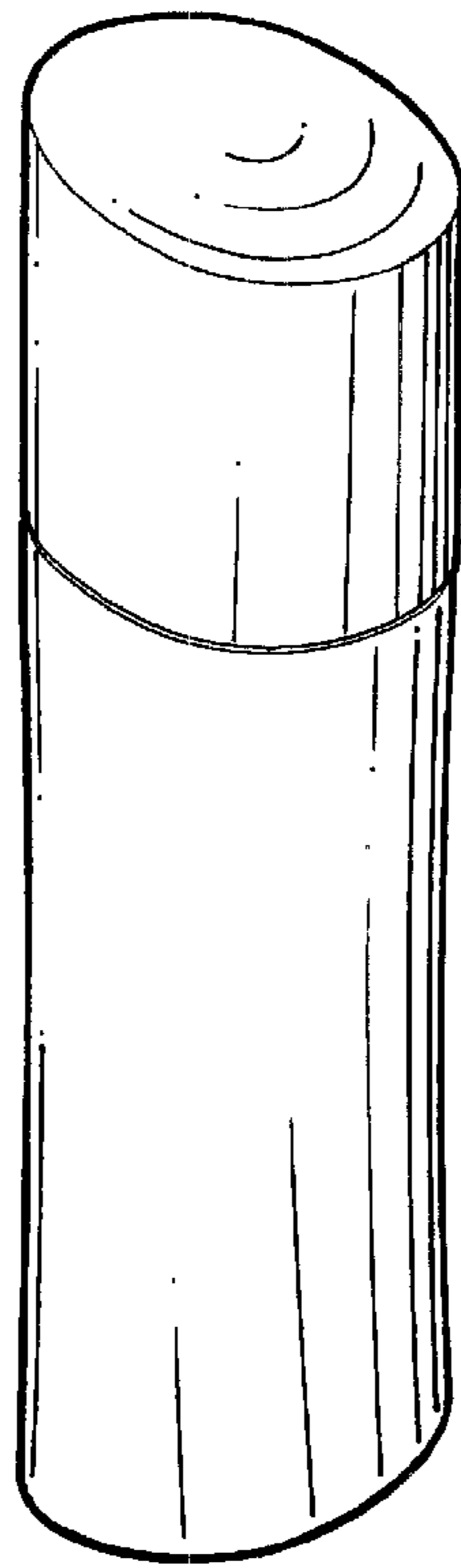


FIG. 7

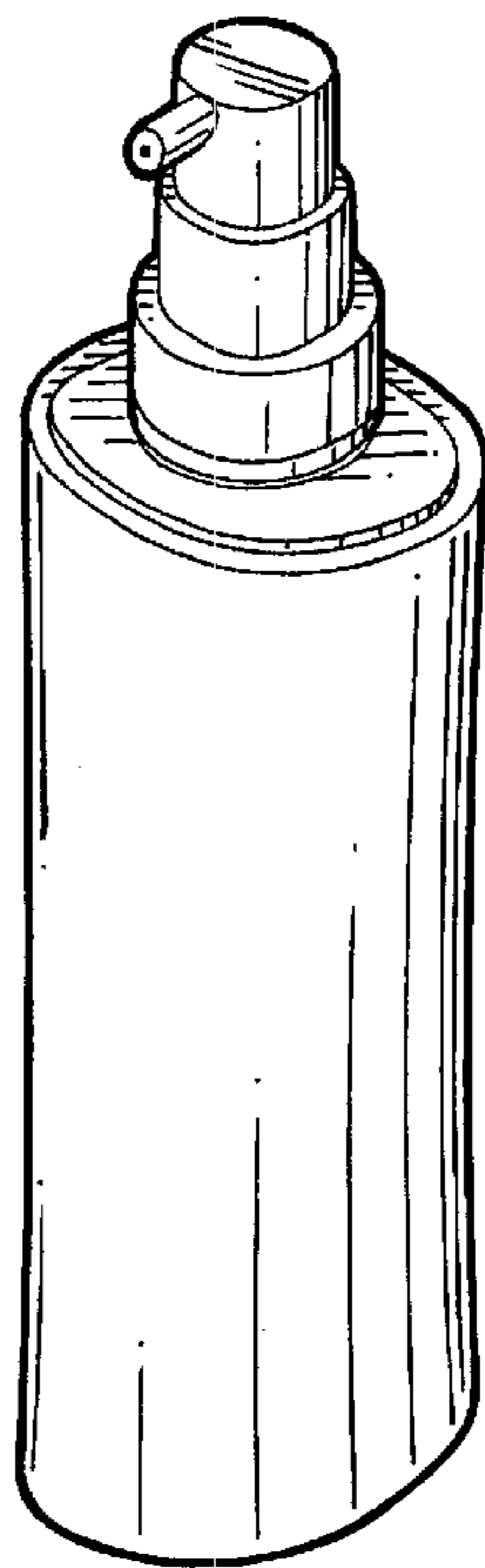


FIG. 8