



US00D465409S

(12) **United States Design Patent**  
**Marandin**

(10) **Patent No.:** **US D465,409 S**

(45) **Date of Patent:** **\*\* Nov. 12, 2002**

(54) **SPRAYING DEVICE**

(75) **Inventor:** **Eric Marandin, Suresnes (FR)**

(73) **Assignee:** **Les Laboratoires Servier, Neuilly sur Seine (FR)**

(\*\*) **Term:** **14 Years**

(21) **Appl. No.:** **29/125,125**

(22) **Filed:** **Jun. 16, 2000**

(30) **Foreign Application Priority Data**

Dec. 17, 1999 (FR) ..... 99 7755

(51) **LOC (7) Cl.** ..... **09-01**

(52) **U.S. Cl.** ..... **D9/300**

(58) **Field of Search** ..... D9/300, 338, 447,  
D9/448, 449, 450, 504; 222/92, 105, 107,  
129, 136, 145.3, 153.11, 153.12, 153.13,  
153.14; 401/55, 75, 171, 172, 173, 174,  
175, 176, 208

(56) **References Cited**

**U.S. PATENT DOCUMENTS**

878,182 A \* 4/1908 Blake ..... 222/92  
1,470,994 A \* 10/1923 Mason, Jr. .... 401/75  
D166,478 S \* 4/1952 Mart ..... D9/450  
D240,711 S \* 7/1976 Angleman et al. .... D9/504

4,545,696 A \* 10/1985 Carluccio ..... 401/175  
D289,565 S \* 4/1987 Mann ..... D9/338  
D294,183 S \* 2/1988 Hiesse ..... D9/338  
D299,694 S \* 2/1989 Geiger ..... D9/300  
D303,758 S \* 10/1989 Nitta ..... D9/300  
D348,217 S \* 6/1994 Le Prince ..... D9/300  
D355,844 S \* 2/1995 Bishop et al. .... D9/300  
5,573,341 A \* 11/1996 Iaia ..... 401/172  
D379,429 S \* 5/1997 Weiss et al. .... D9/447

\* cited by examiner

*Primary Examiner*—Doris V. Coles

*Assistant Examiner*—T. Chase Nelson

(74) *Attorney, Agent, or Firm*—Altera Law Group LLC

(57) **CLAIM**

The ornamental design for spraying device, as shown and described.

**DESCRIPTION**

FIG. 1 is a perspective view of the spraying device.

FIG. 2 is a perspective view with lid removed thereof.

FIG. 3 is a side view thereof.

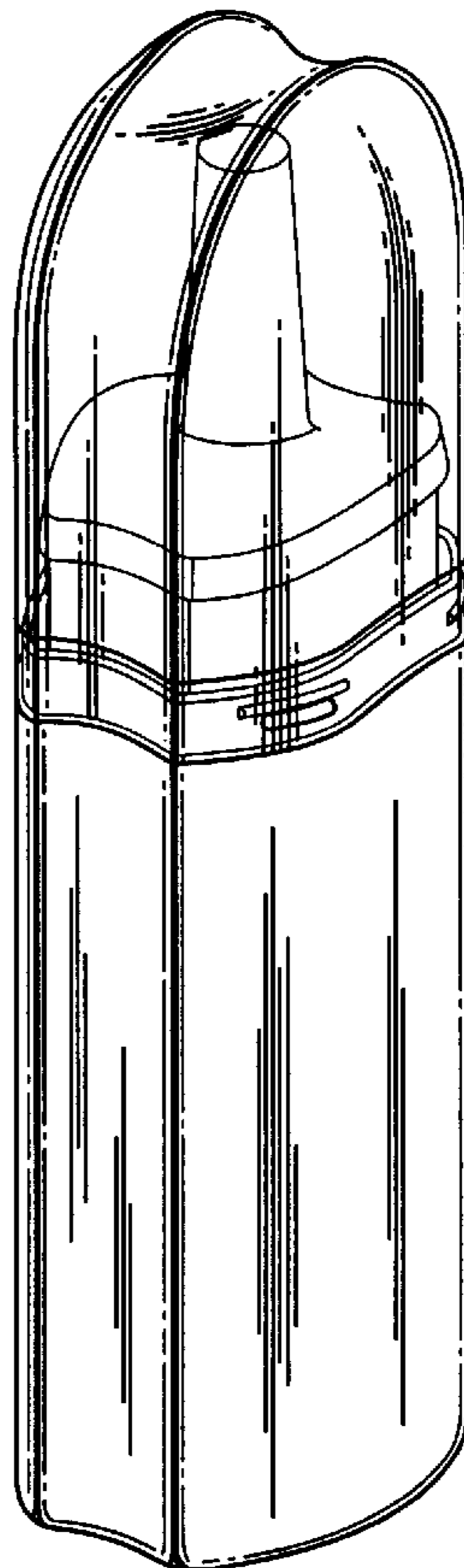
FIG. 4 is a side view with lid removed thereof.

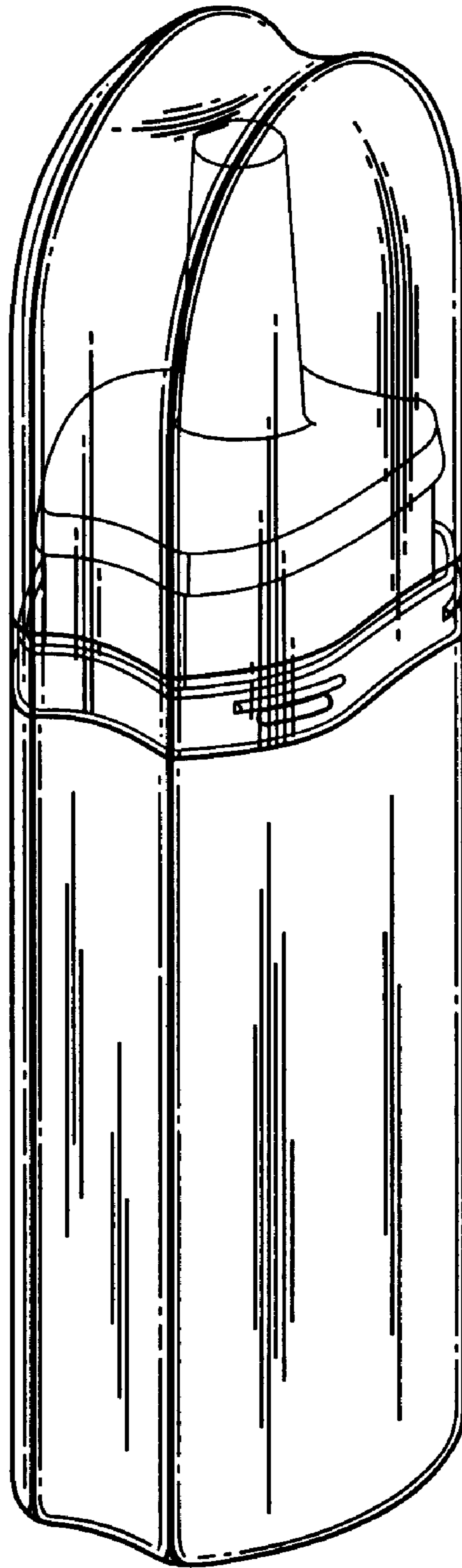
FIG. 5 is a front and back view thereof; and,

FIG. 6 is a front and back view with lid removed thereof.

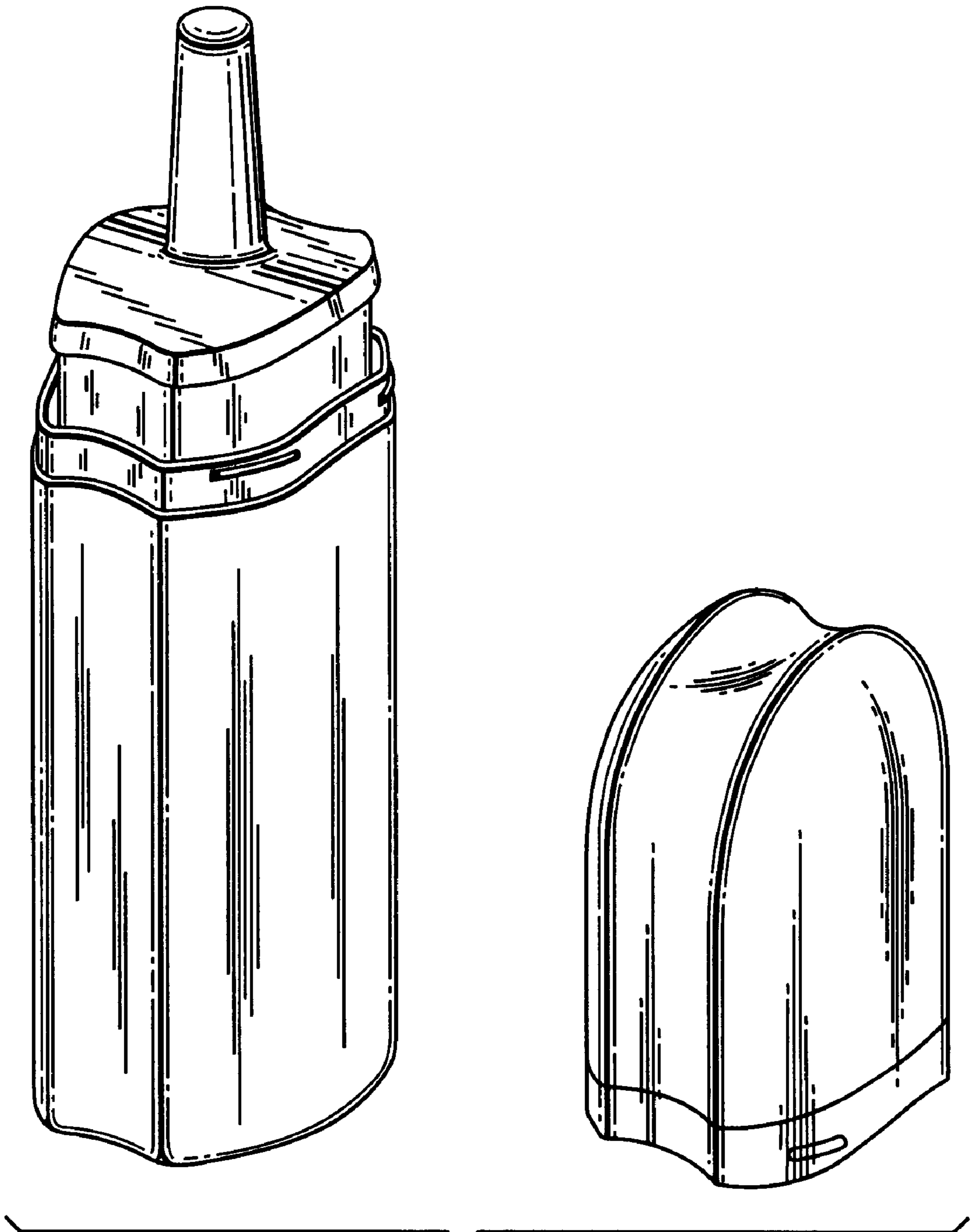
The bottom is unornamented.

**1 Claim, 6 Drawing Sheets**

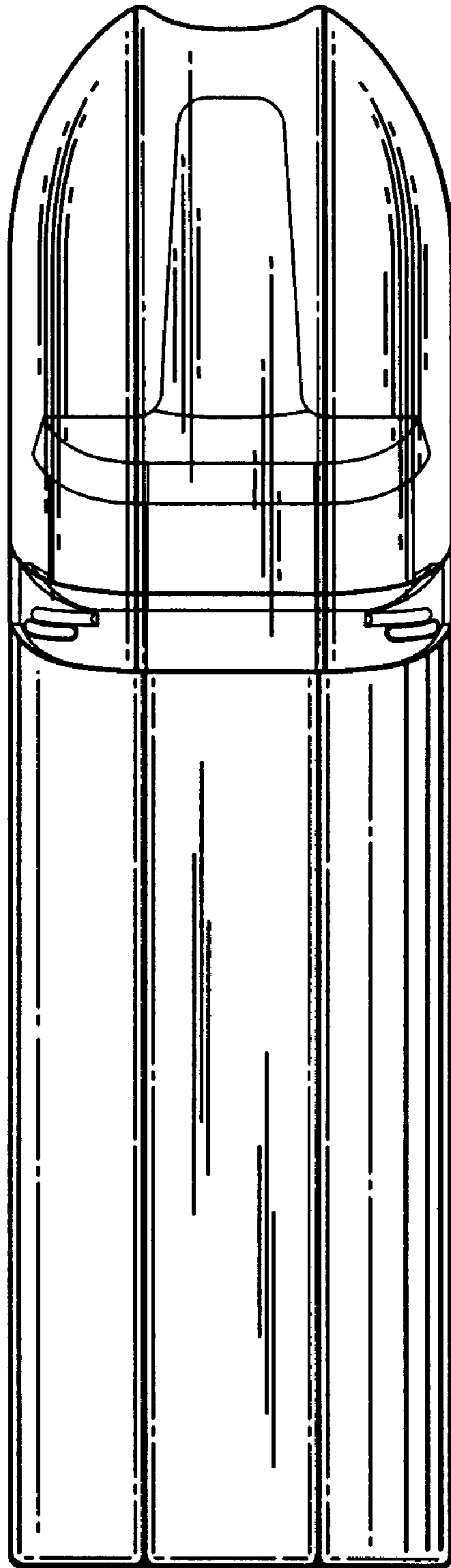




**Fig. 1**



**Fig. 2**



**Fig. 3**

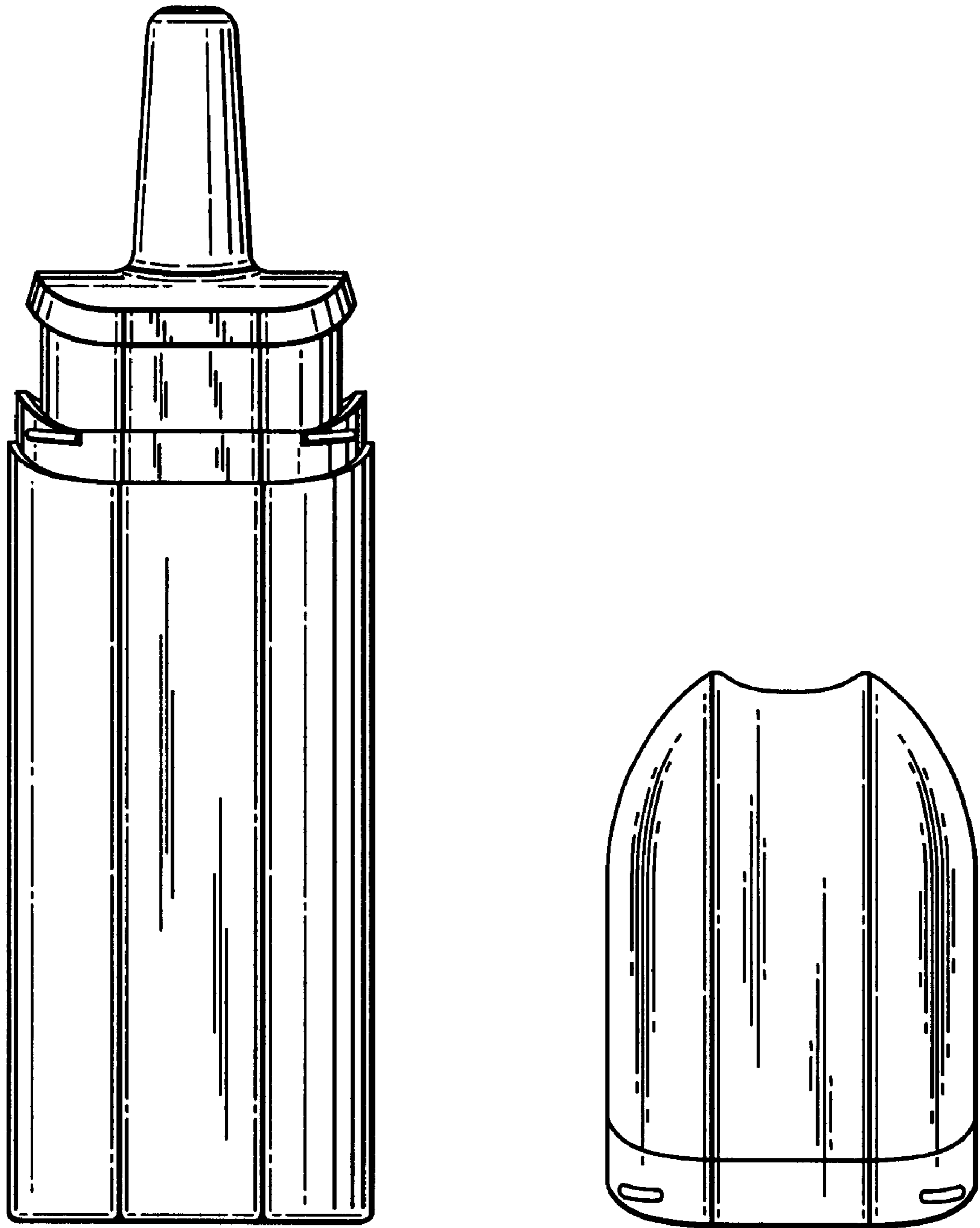
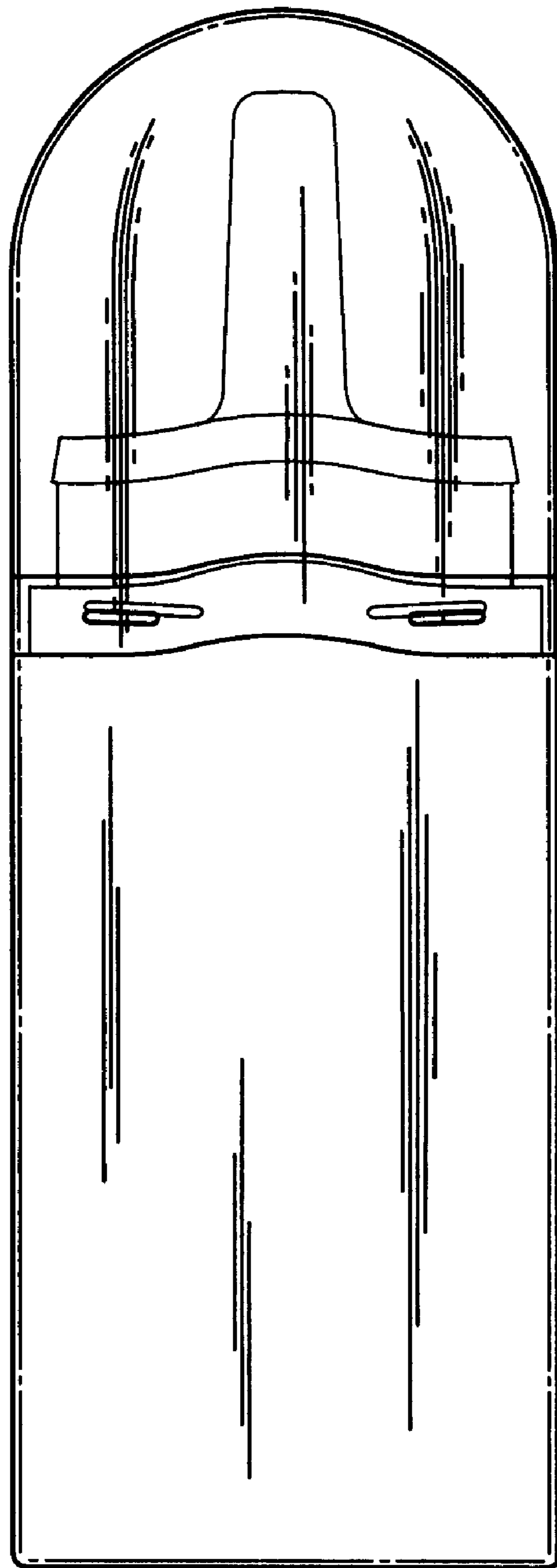
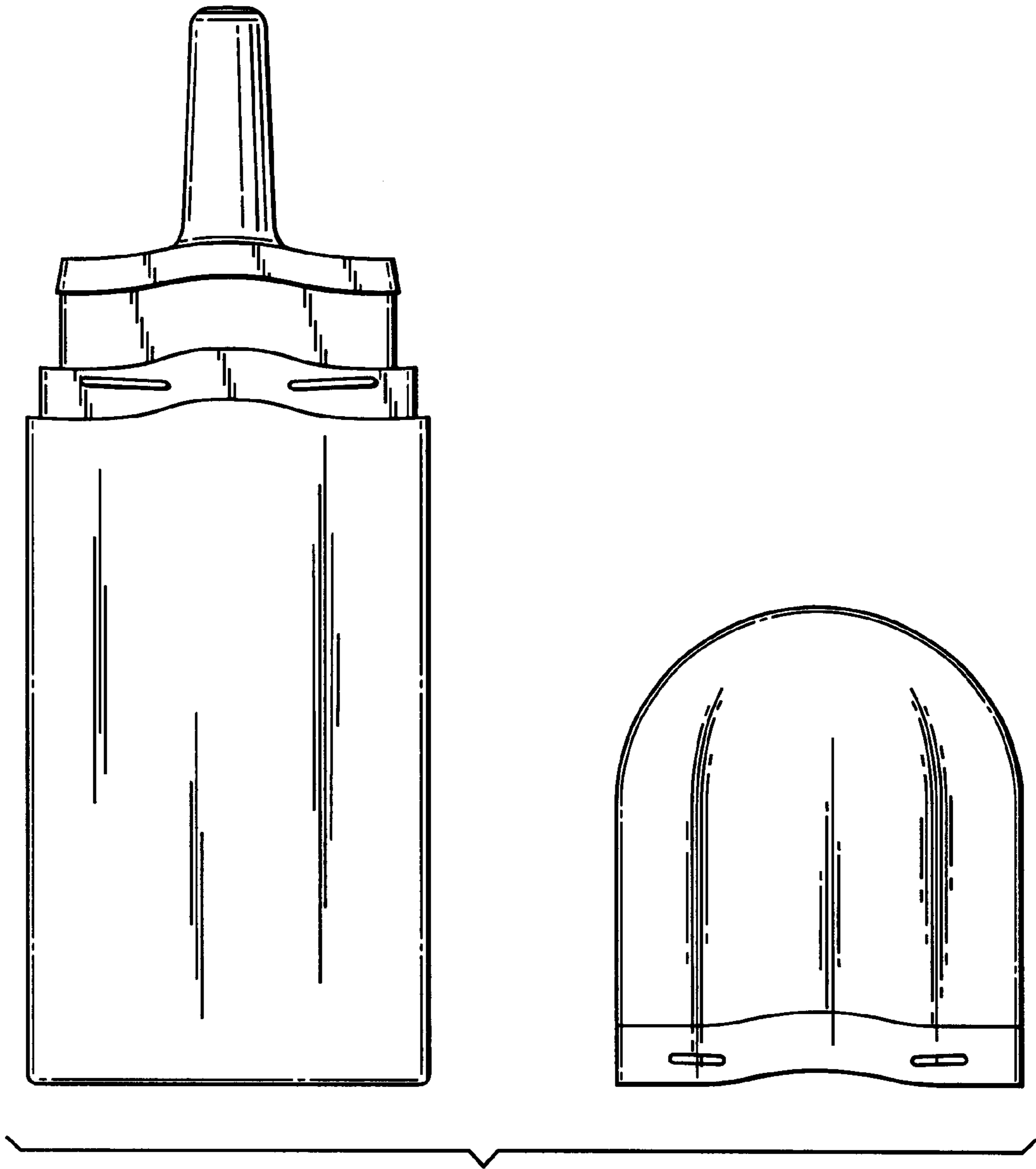


Fig. 4



**Fig. 5**



**Fig. 6**