



US00D465408S

(12) **United States Design Patent**  
**Man et al.**

(10) **Patent No.:** **US D465,408 S**

(45) **Date of Patent:** **\*\* Nov. 12, 2002**

(54) **CORD FASTENER**

(75) Inventors: **Chan Man, N.T. (HK); Hiroyuki Maruoka, Kanagawa-ken (JP)**

(73) Assignees: **Nifco Inc., Yokohama (JP); Nifco (HK) Ltd., New Territories (HK)**

(\*\*) Term: **14 Years**

(21) Appl. No.: **29/160,550**

(22) Filed: **May 14, 2002**

(30) **Foreign Application Priority Data**

Nov. 30, 2001 (JP) ..... 2001-035203

(51) **LOC (7) Cl.** ..... **08-08**

(52) **U.S. Cl.** ..... **D8/395; D8/383**

(58) **Field of Search** ..... D8/382, 383, 356, D8/394, 395; D11/215; D2/978; 24/115 R, 115 G, 115 M, 115 H, 136 R, 136 A

(56) **References Cited**

**U.S. PATENT DOCUMENTS**

- D289,732 S \* 5/1987 Jason ..... D8/356
- 5,621,952 A \* 4/1997 Frano ..... 24/115 G
- 5,671,505 A \* 9/1997 Anscher ..... 24/115 G
- D417,388 S \* 12/1999 Kawahara ..... D8/383

- 6,018,851 A \* 2/2000 Anscher ..... 24/115 G
- D430,484 S \* 9/2000 Ikeda ..... D8/383
- D439,148 S \* 3/2001 Ishii ..... D8/383
- 6,237,252 B1 \* 5/2001 Cook ..... 24/115 H

\* cited by examiner

*Primary Examiner*—Alan P. Douglas

*Assistant Examiner*—Clare E. Heflin

(74) *Attorney, Agent, or Firm*—Kanesaka & Takeuchi

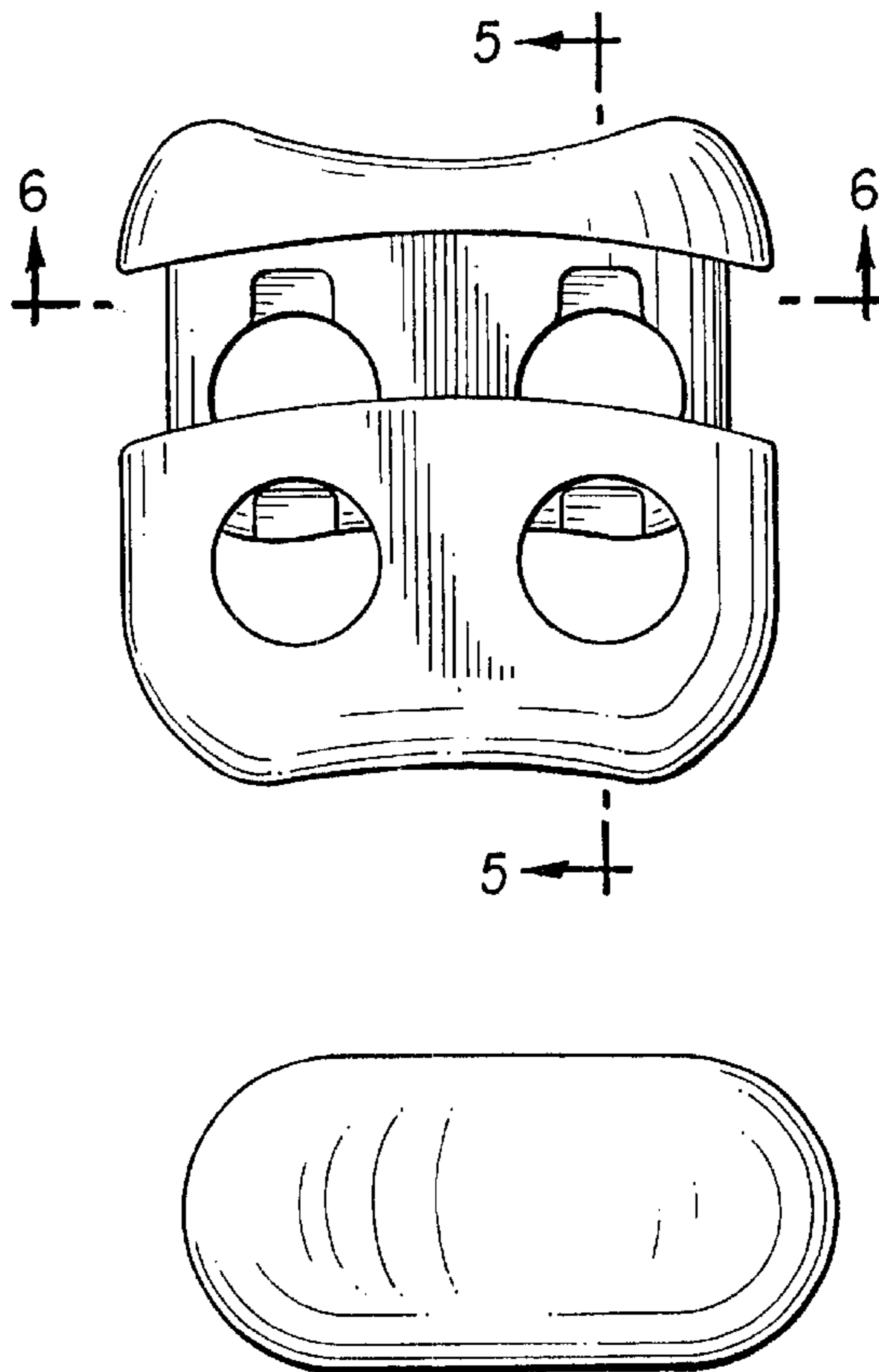
(57) **CLAIM**

The ornamental design for a cord fastener, as shown and described.

**DESCRIPTION**

FIG. 1 is a front view of a cord fastener showing our new design, the rear view being identical to the front view;  
 FIG. 2 is a left side view thereof, the right side view being identical to the left side view;  
 FIG. 3 is a top plan view thereof;  
 FIG. 4 is a bottom plan view thereof;  
 FIG. 5 is a cross sectional view taken along line 5—5 in FIG. 1;  
 FIG. 6 is a cross sectional view taken along line 6—6 in FIG. 1; and,  
 FIG. 7 is a perspective view thereof.

**1 Claim, 3 Drawing Sheets**



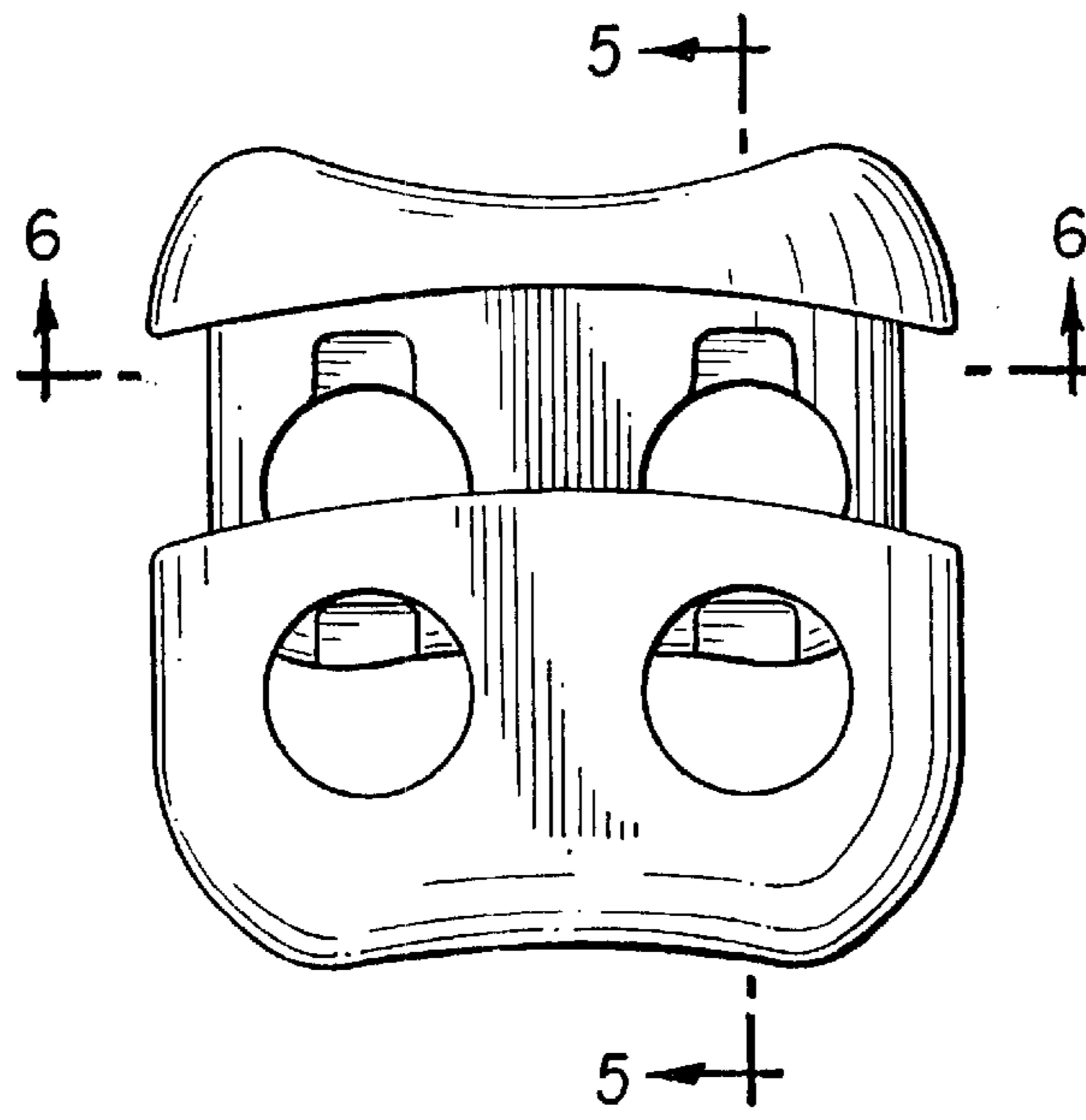


FIG. 1

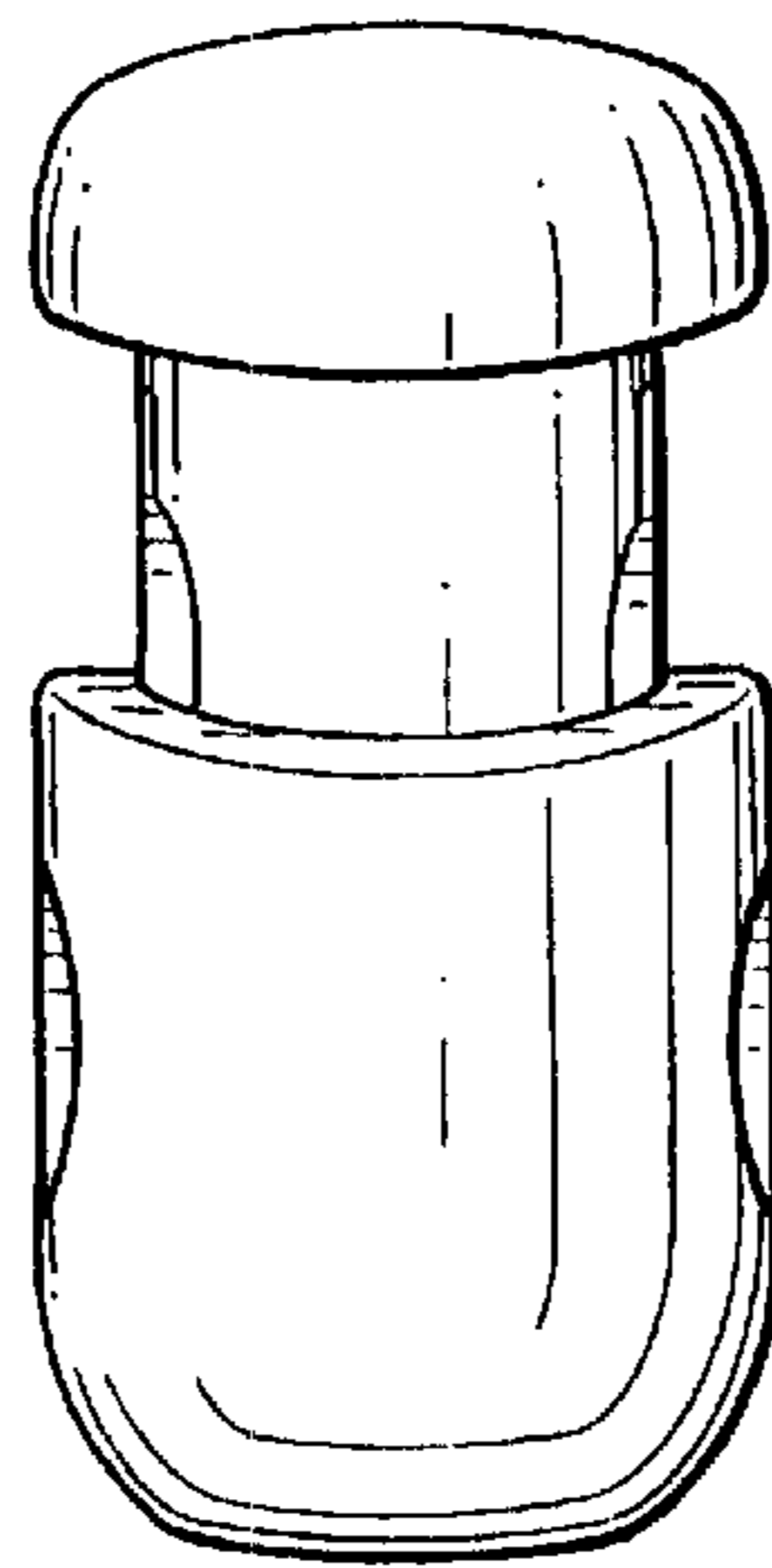


FIG. 2

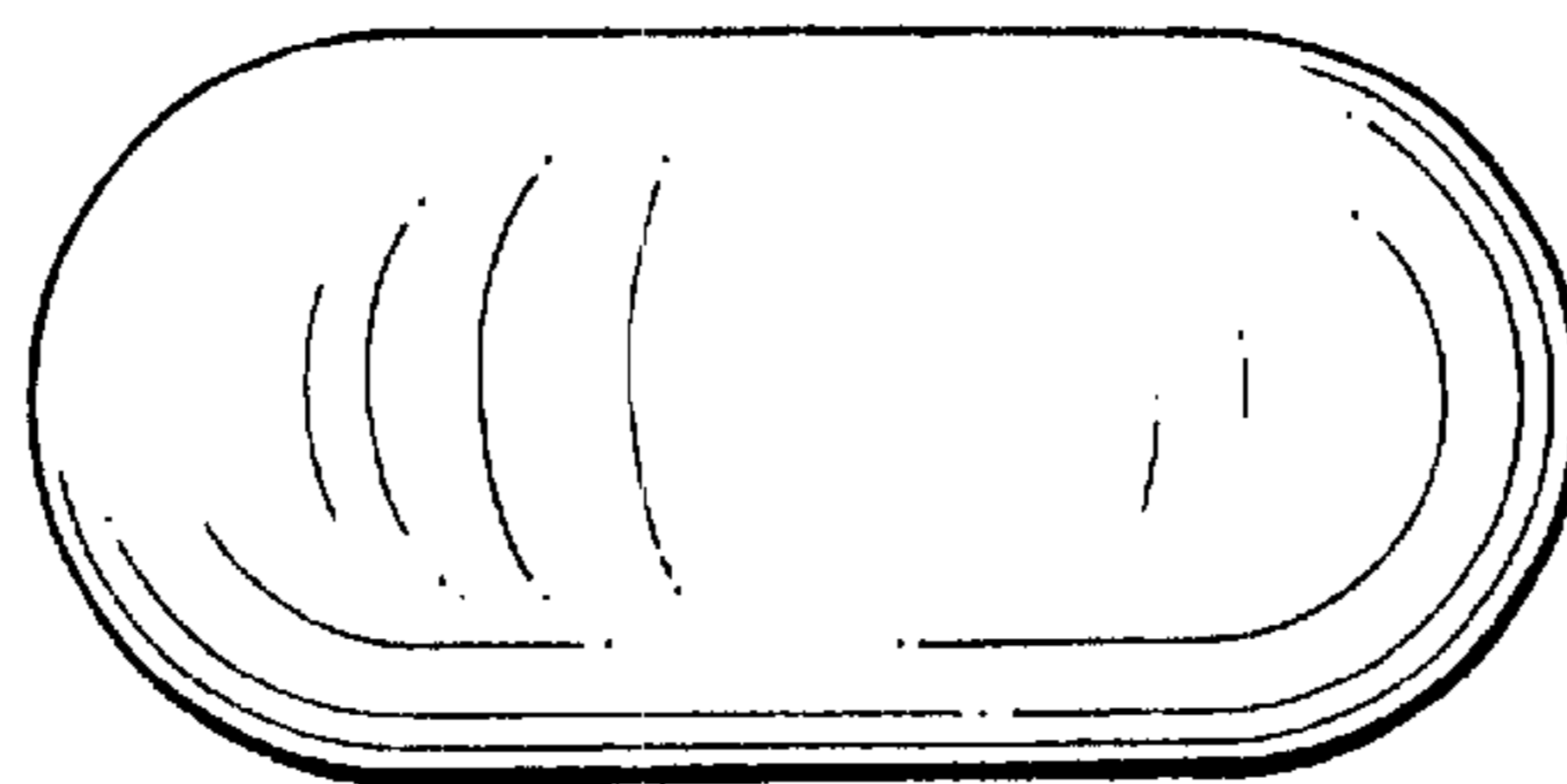


FIG. 3

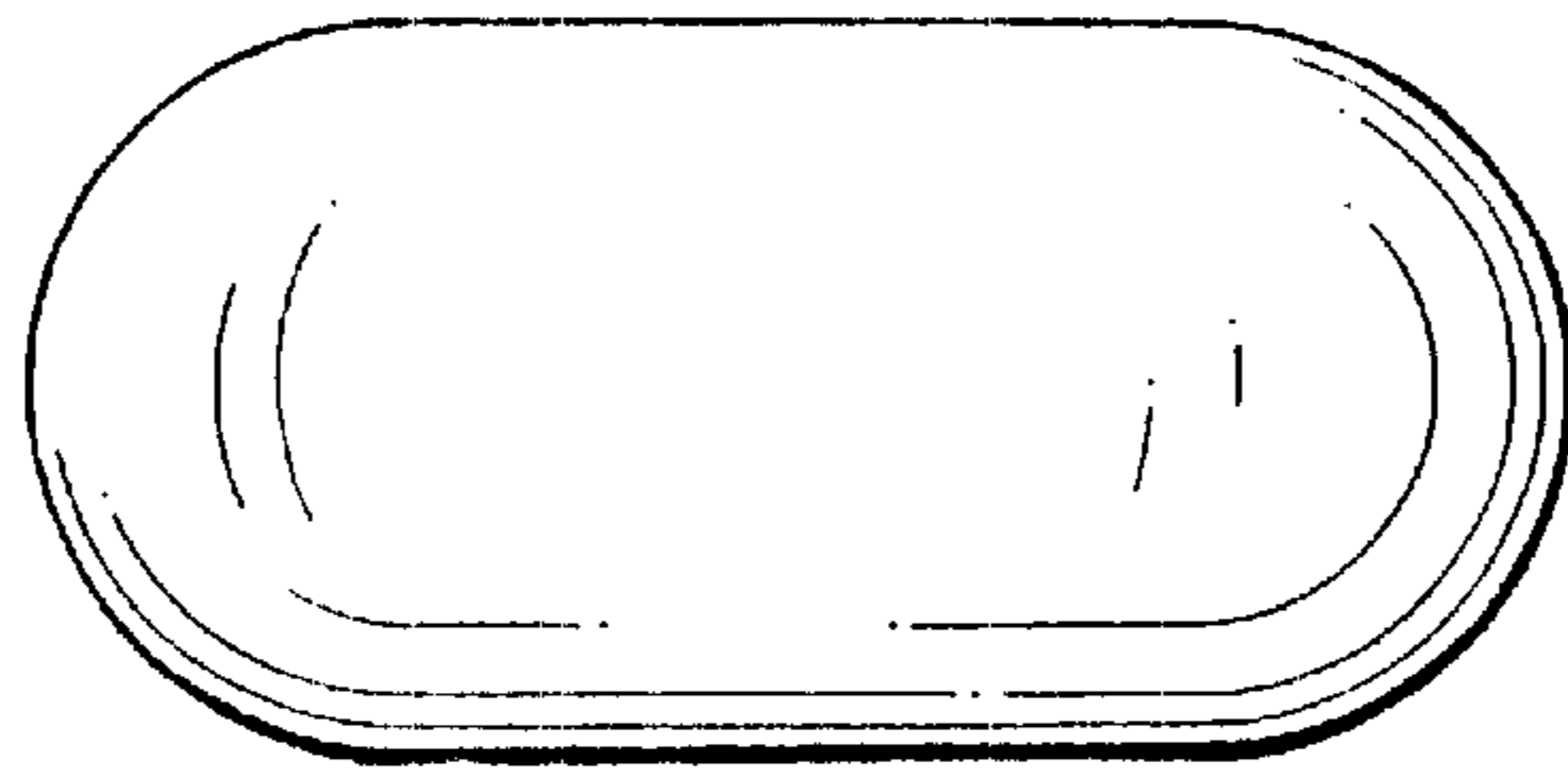


FIG. 4

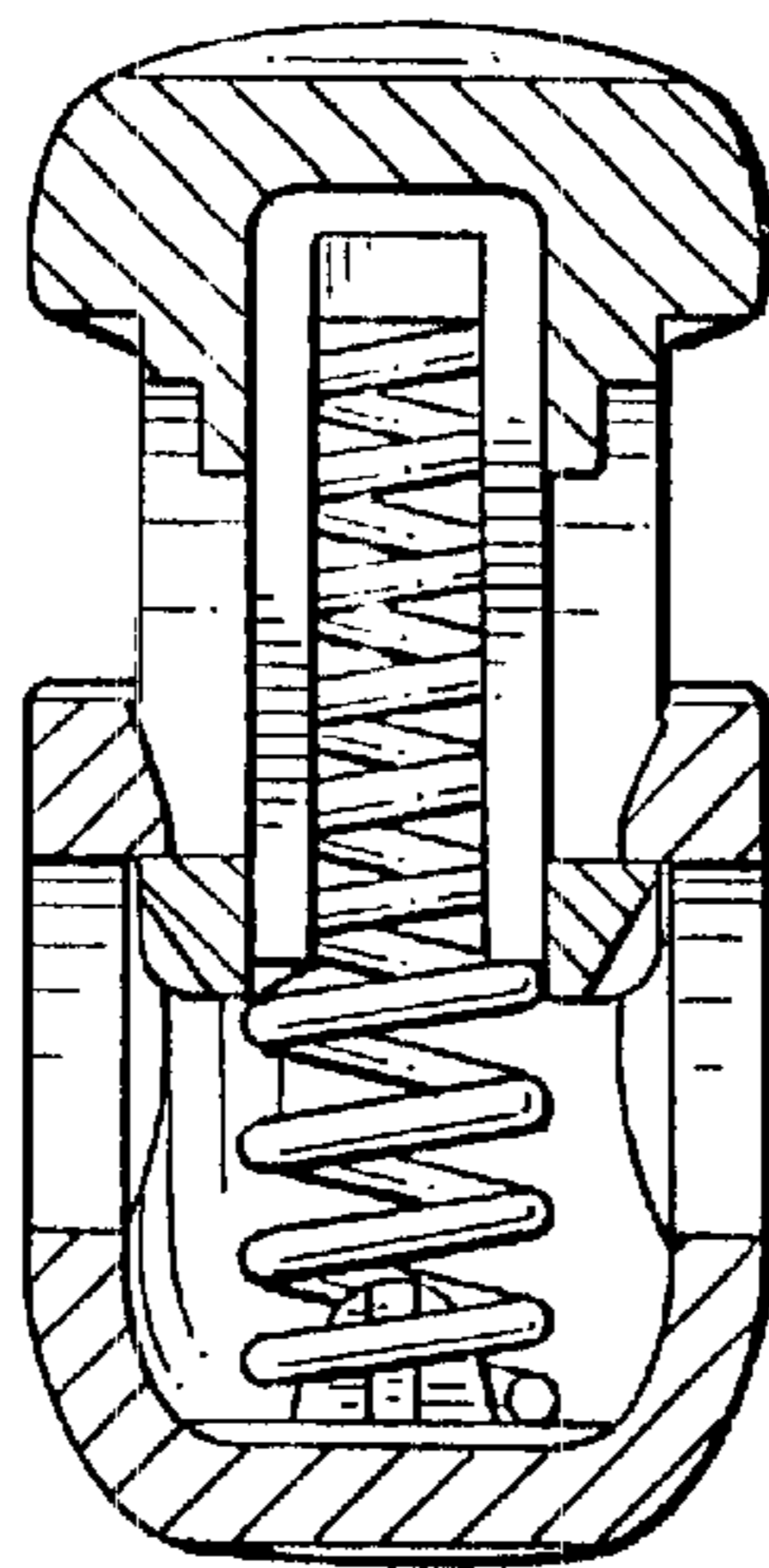


FIG. 5

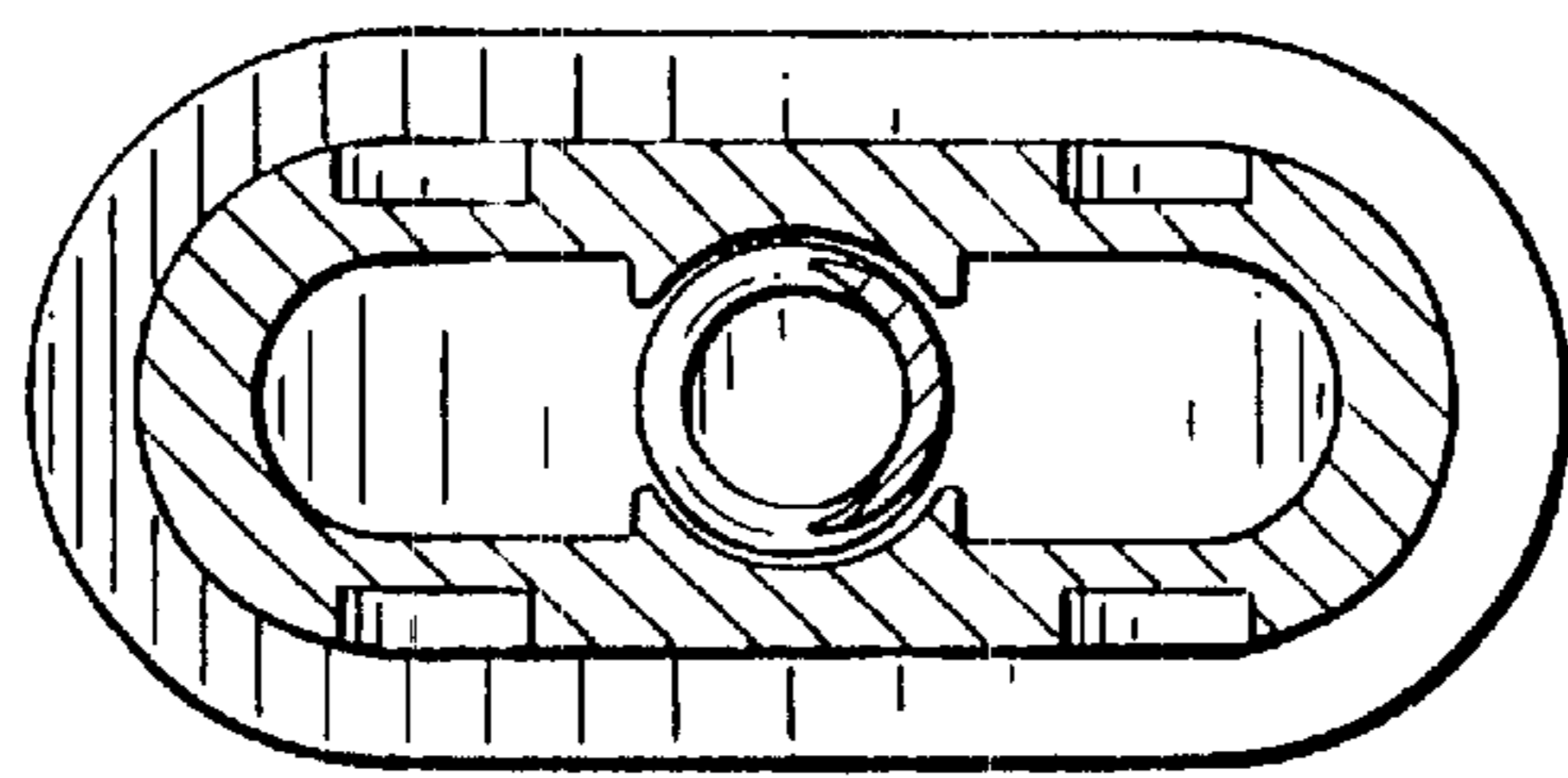


FIG. 6

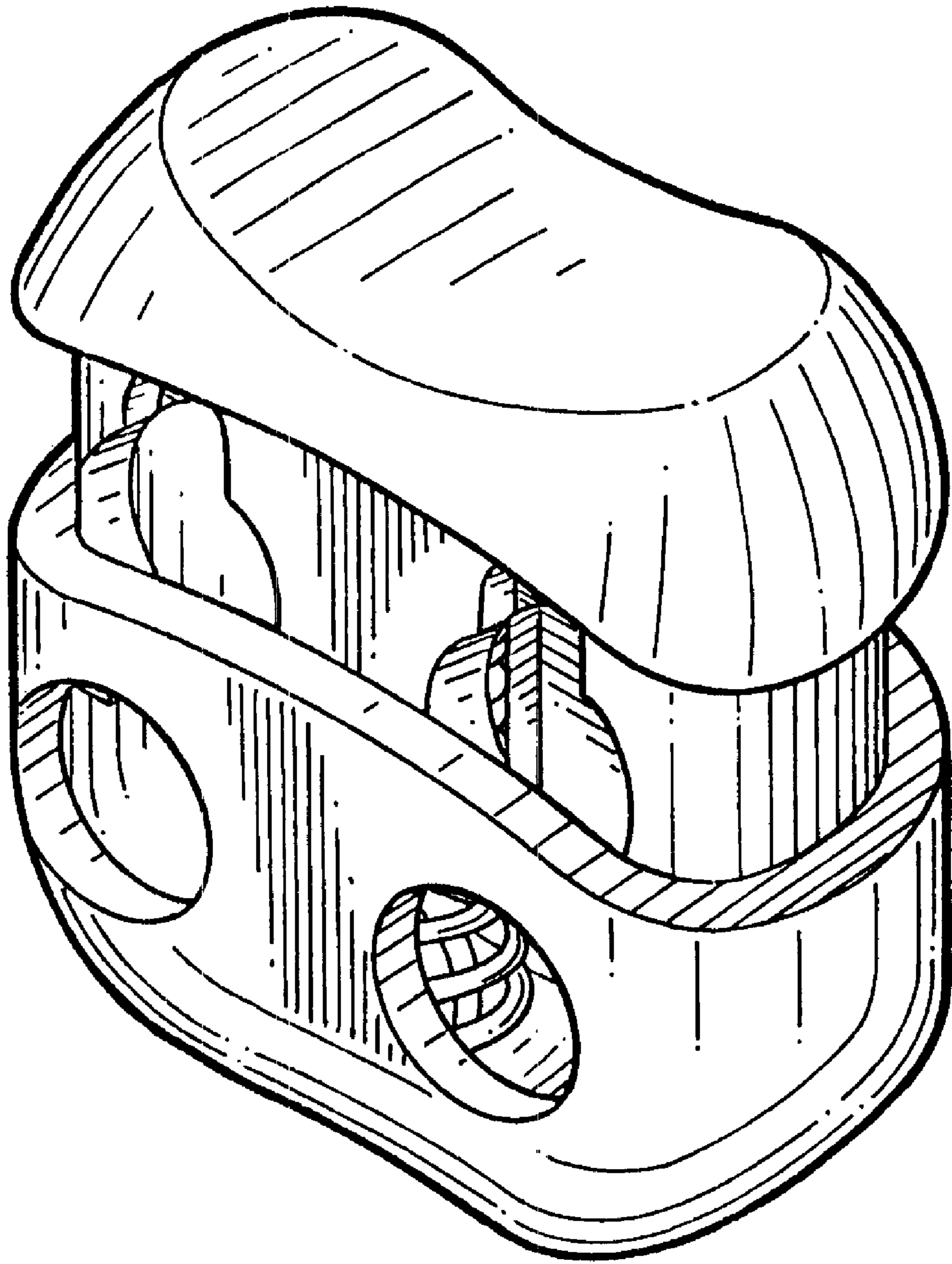


FIG. 7