



US00D465407S

(12) **United States Design Patent**
Reynard

(10) **Patent No.:** **US D465,407 S**

(45) **Date of Patent:** **** Nov. 12, 2002**

(54) **INTERCONNECTOR FOR JOINING TOGETHER FREIGHT CONTAINERS END TO END**

D399,008 S * 9/1998 Thomas D8/382 X

* cited by examiner

(76) **Inventor:** **Kenneth Reynard**, Unit 7, Carlton Miniott Business Park, North Yorkshire (GB), YO7 4NF

Primary Examiner—Alan P. Douglas
Assistant Examiner—Clare E. Heflin
(74) *Attorney, Agent, or Firm*—Madson & Metcalf

(**) **Term:** **14 Years**

(57) **CLAIM**

(21) **Appl. No.:** **29/116,533**

The ornamental design for an interconnector for joining together freight containers end to end, as shown and described.

(22) **Filed:** **Jan. 4, 2000**

DESCRIPTION

(51) **LOC (7) Cl.** **08-08**

(52) **U.S. Cl.** **D8/382**

(58) **Field of Search** D8/382; 403/170, 403/171, 176, 217, 292, 298, 205, DIG. 10; D23/262; D34/28, 35

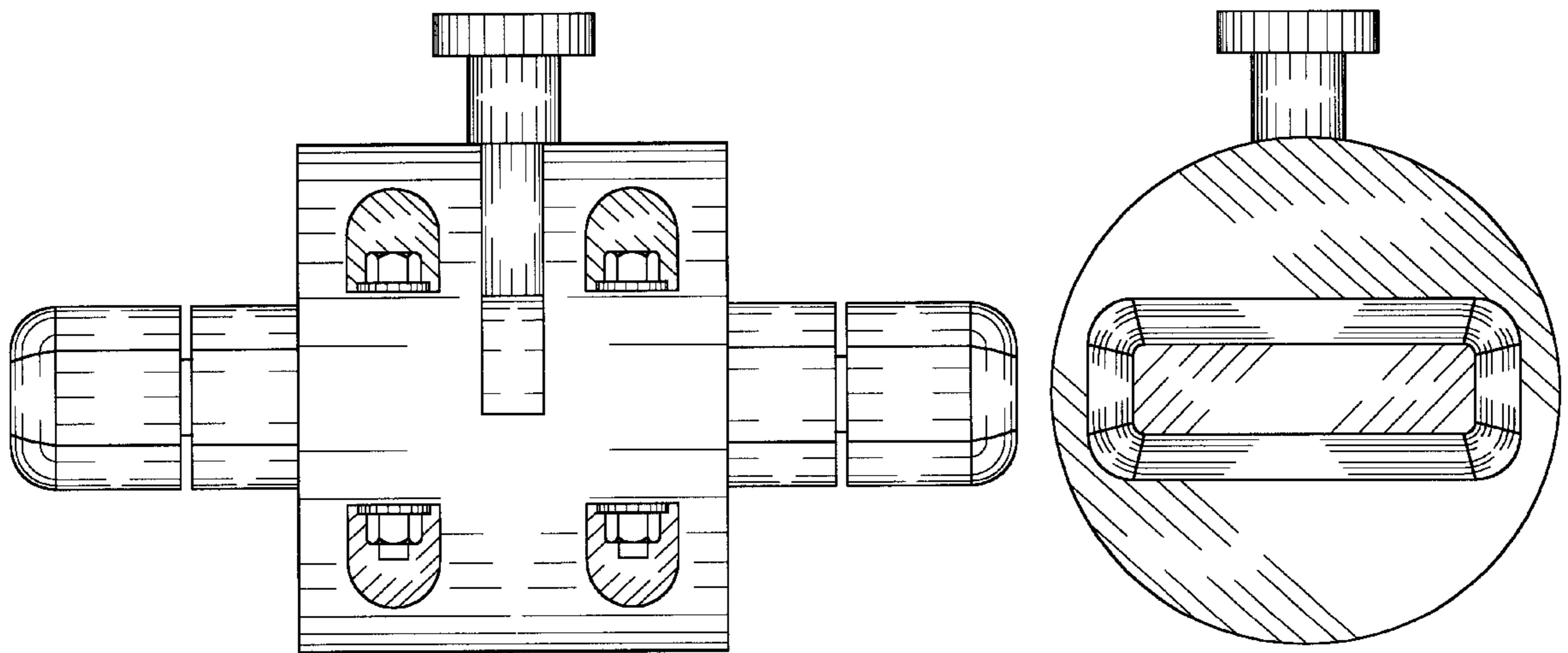
FIG. 1 is a plan view of the interconnector;
FIG. 2 is an under plan view of the interconnector;
FIG. 3 is a view from one side of the interconnector;
FIG. 4 is a side view from the opposite side of the interconnector; and,
FIG. 5 is an end view of the interconnector.

(56) **References Cited**

U.S. PATENT DOCUMENTS

D305,219 S * 12/1989 Wood D8/382 X

1 Claim, 5 Drawing Sheets



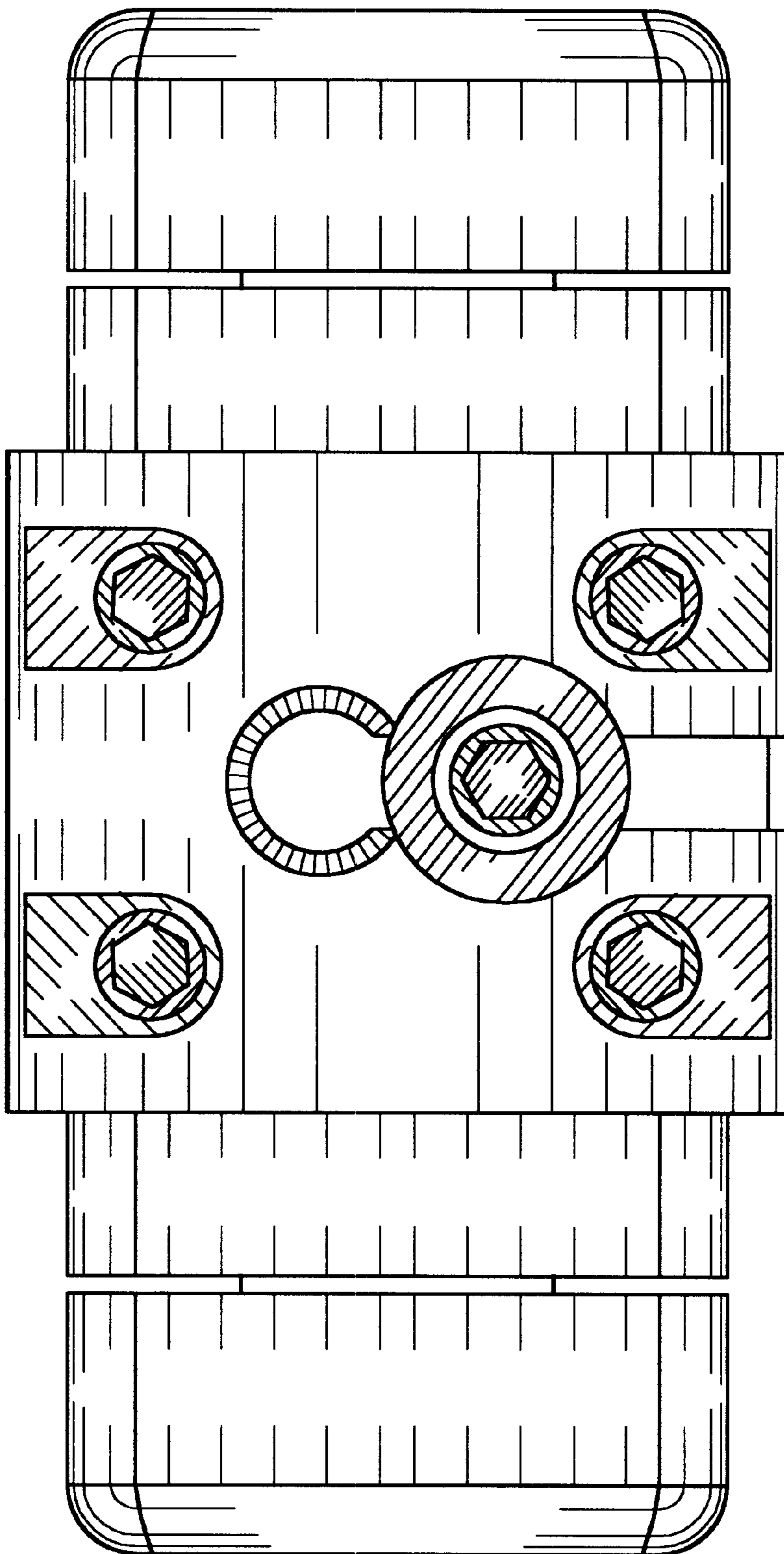


FIGURE 1

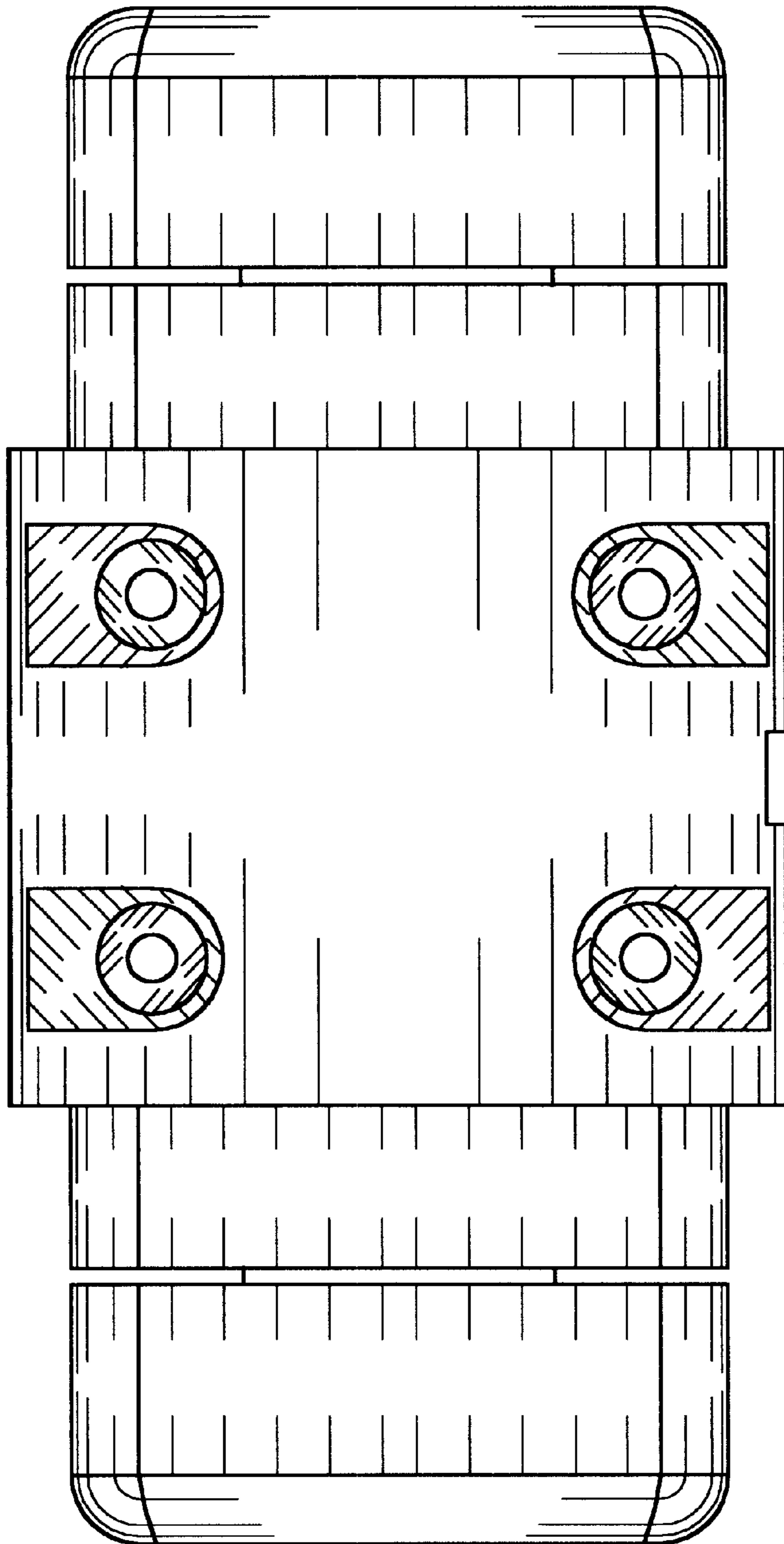


FIGURE 2

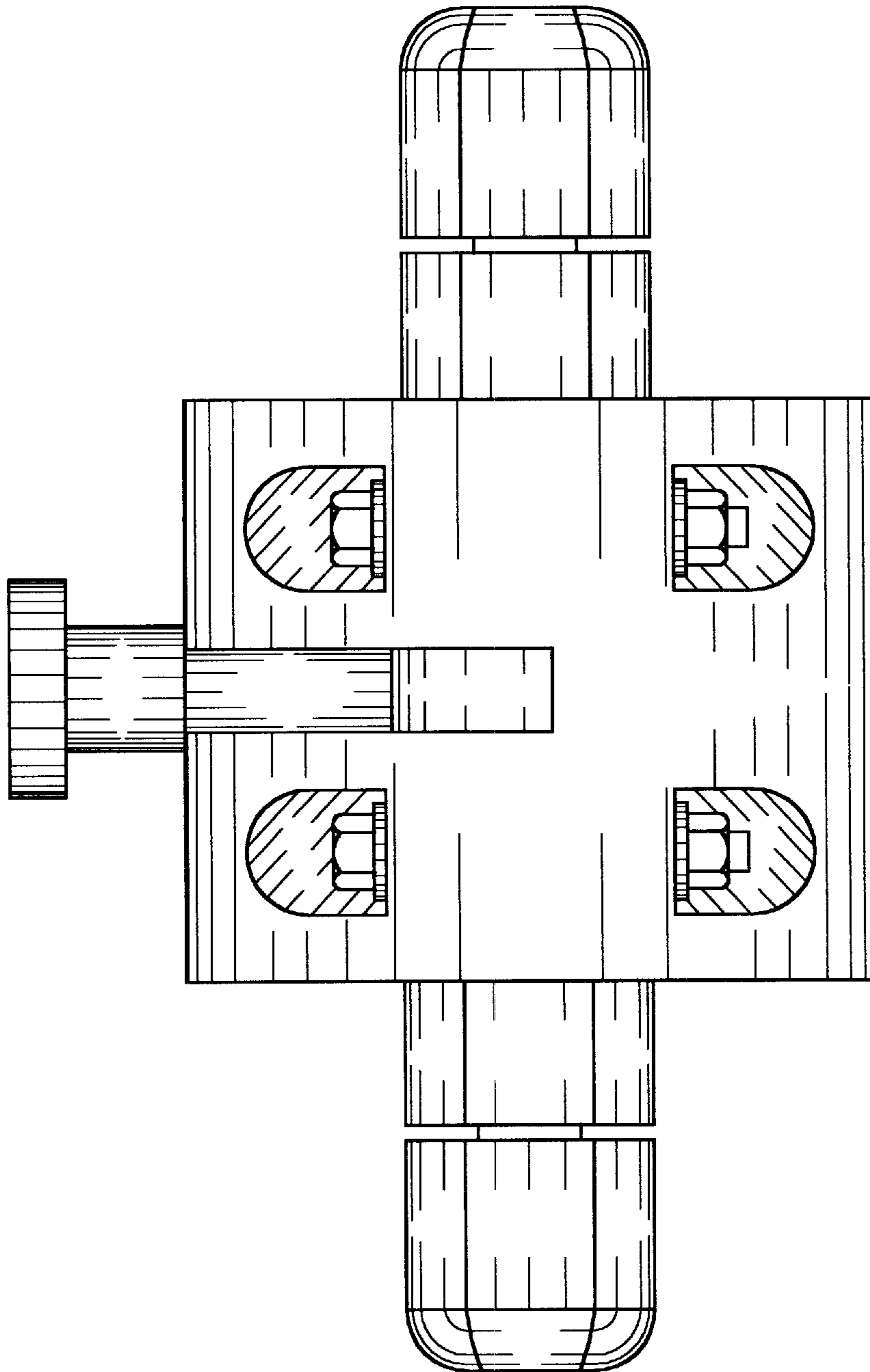


FIGURE 3

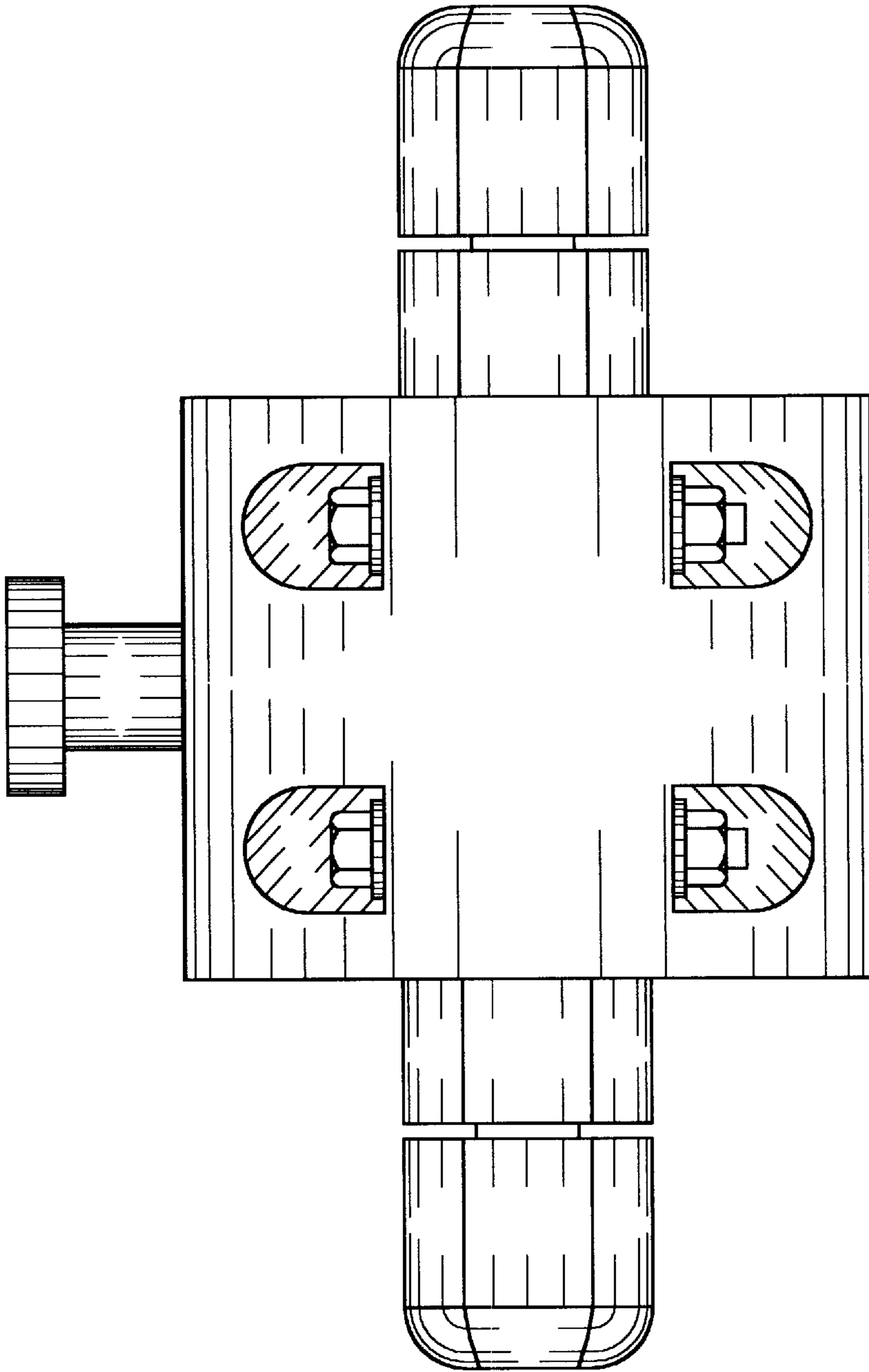


FIGURE 4

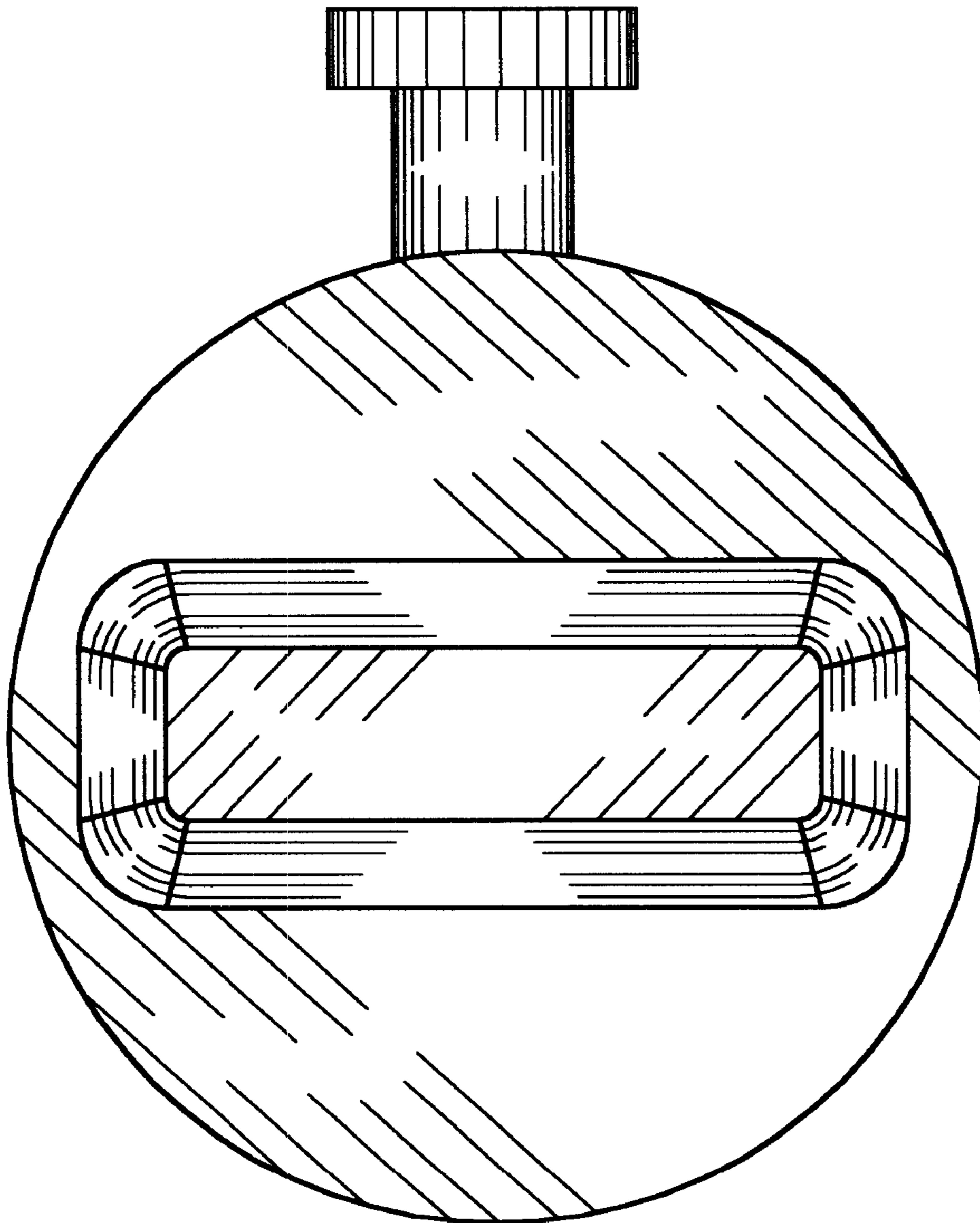


FIGURE 5
