



US00D465404S

(12) **United States Design Patent**
Perry

(10) **Patent No.:** **US D465,404 S**

(45) **Date of Patent:** **** Nov. 12, 2002**

(54) **BRACE FOR RECORDER SUPPORT**

(75) Inventor: **Andrew M. Perry**, Keizer, OR (US)

(73) Assignee: **Peripole Bergerault**, Salem, OR (US)

(**) Term: **14 Years**

(21) Appl. No.: **29/151,699**

(22) Filed: **Nov. 6, 2001**

(51) **LOC (7) Cl.** **08-05**

(52) **U.S. Cl.** **D8/354**

(58) **Field of Search** D6/512; D8/349,
D8/354, 355, 356, 363, 364, 373, 380,
382, 394, 395, 396; 84/327, 376 A, 379,
384, 385 A, 387 A; 248/312, 315, 317,
612, 690

(56) **References Cited**

U.S. PATENT DOCUMENTS

- 3,266,766 A * 8/1966 Linville, Jr. 84/385 A
- 3,945,060 A * 3/1976 Gargione 248/312
- 4,674,298 A 6/1987 Wimmershoff-Caplan
- 4,841,829 A 6/1989 Lehmann
- D315,667 S * 3/1991 Johnson D8/354
- 5,167,356 A 12/1992 Williams.
- 5,246,154 A 9/1993 Adams et al.
- 5,335,835 A 8/1994 Hogan

- 5,586,704 A 12/1996 Alexander et al.
- 5,622,292 A 4/1997 Dorney
- 6,384,307 B1 * 5/2002 Sueta, Jr. et al. 84/385 A

FOREIGN PATENT DOCUMENTS

CA 957345 11/1974

* cited by examiner

Primary Examiner—Doris V. Coles

Assistant Examiner—Elizabeth A. Albert

(74) *Attorney, Agent, or Firm*—Marger Johnson & McCollom, P.C.

(57) **CLAIM**

The ornamental design for a brace for recorder support, as shown and described.

DESCRIPTION

FIG. 1 is a perspective view of brace for recorder support, showing my new design in full lines, with the broken lines showing environmental association matter, namely a cord, for illustration purposes only, and which cord forms no part of the claimed design;

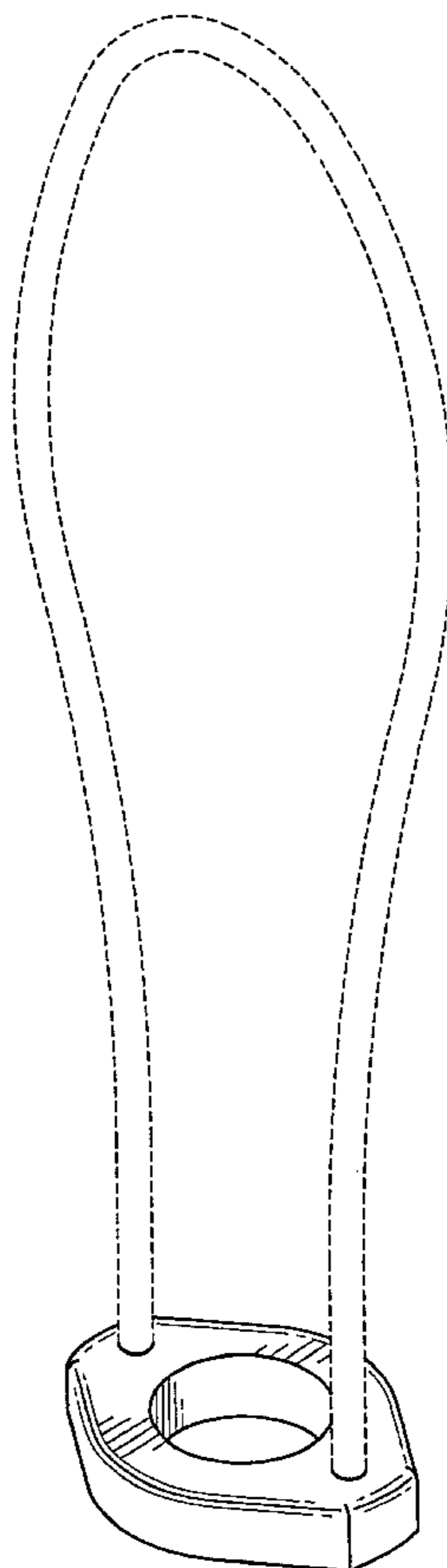
FIG. 2 is a top plan view thereof;

FIG. 3 is a front view thereof;

FIG. 4 is a side view thereof; and,

FIG. 5 is a bottom plan view thereof.

1 Claim, 1 Drawing Sheet



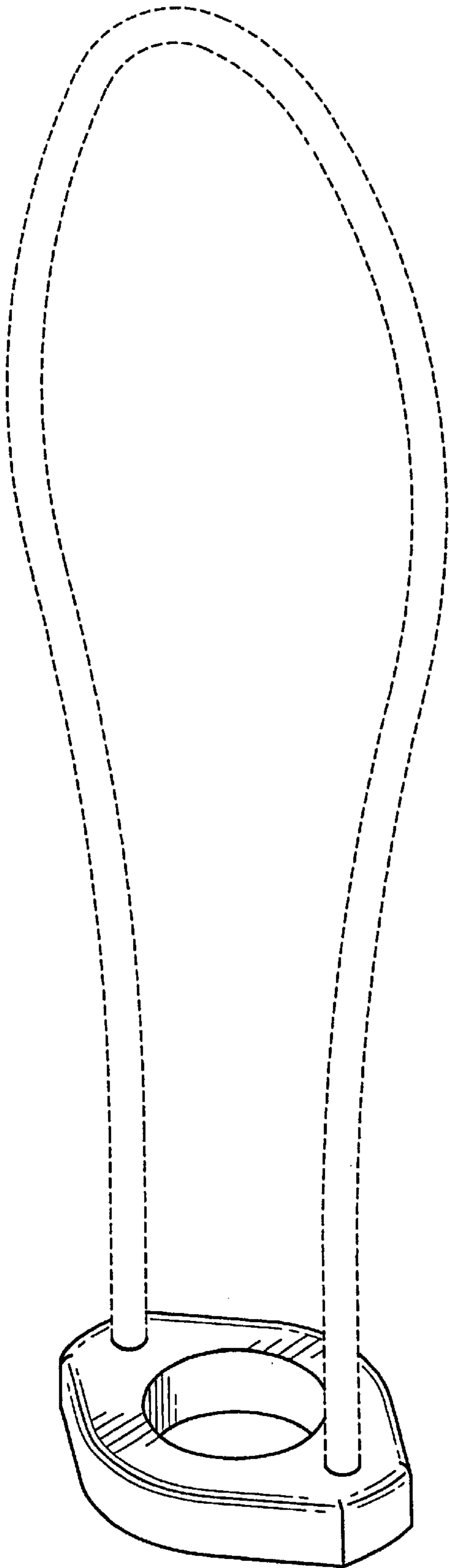


FIG. 1

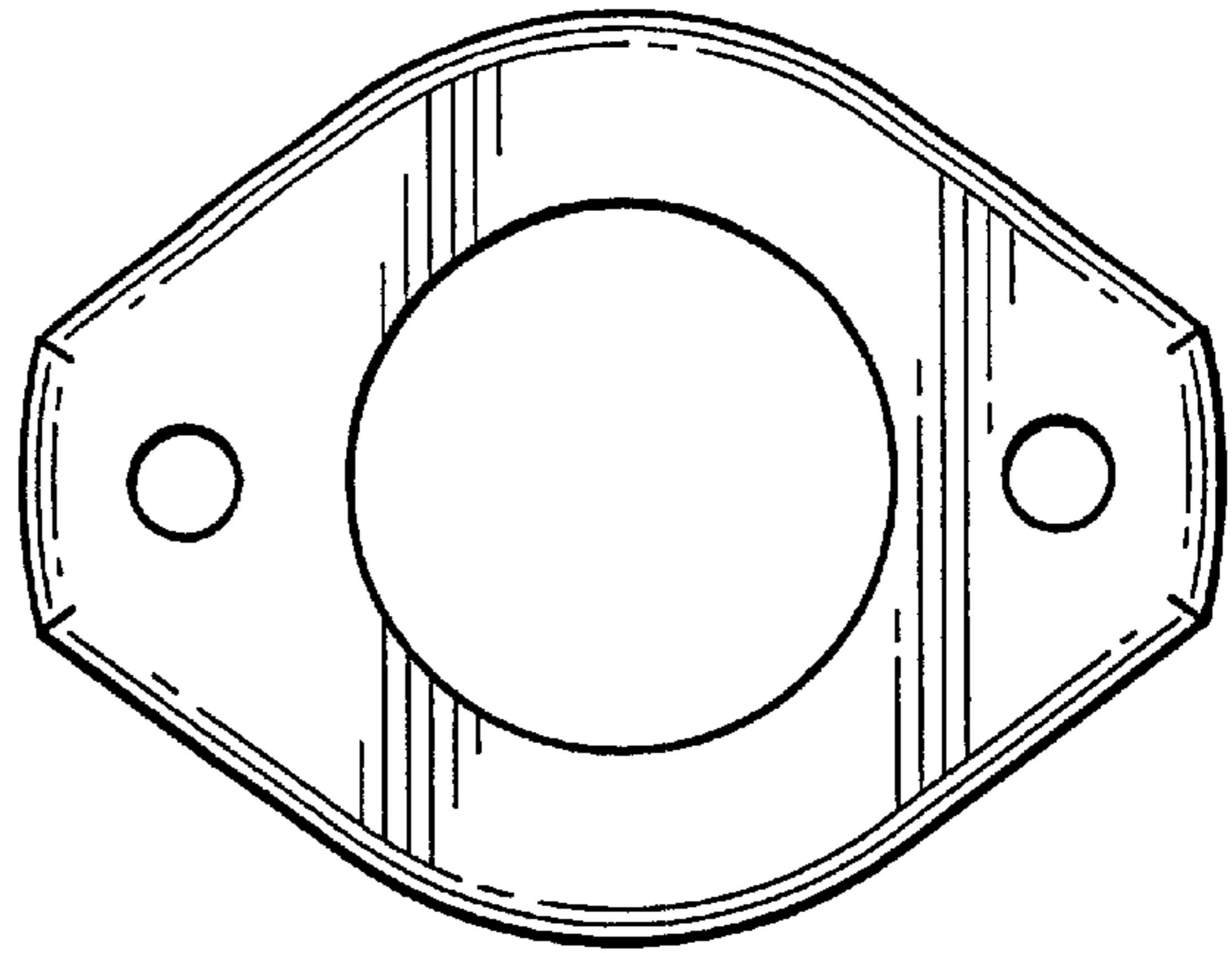


FIG. 2

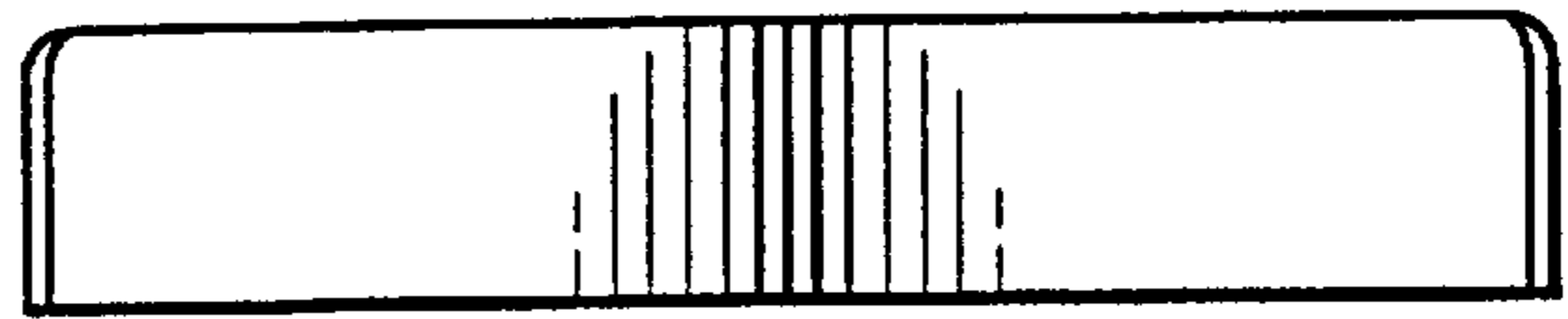


FIG. 3



FIG. 4

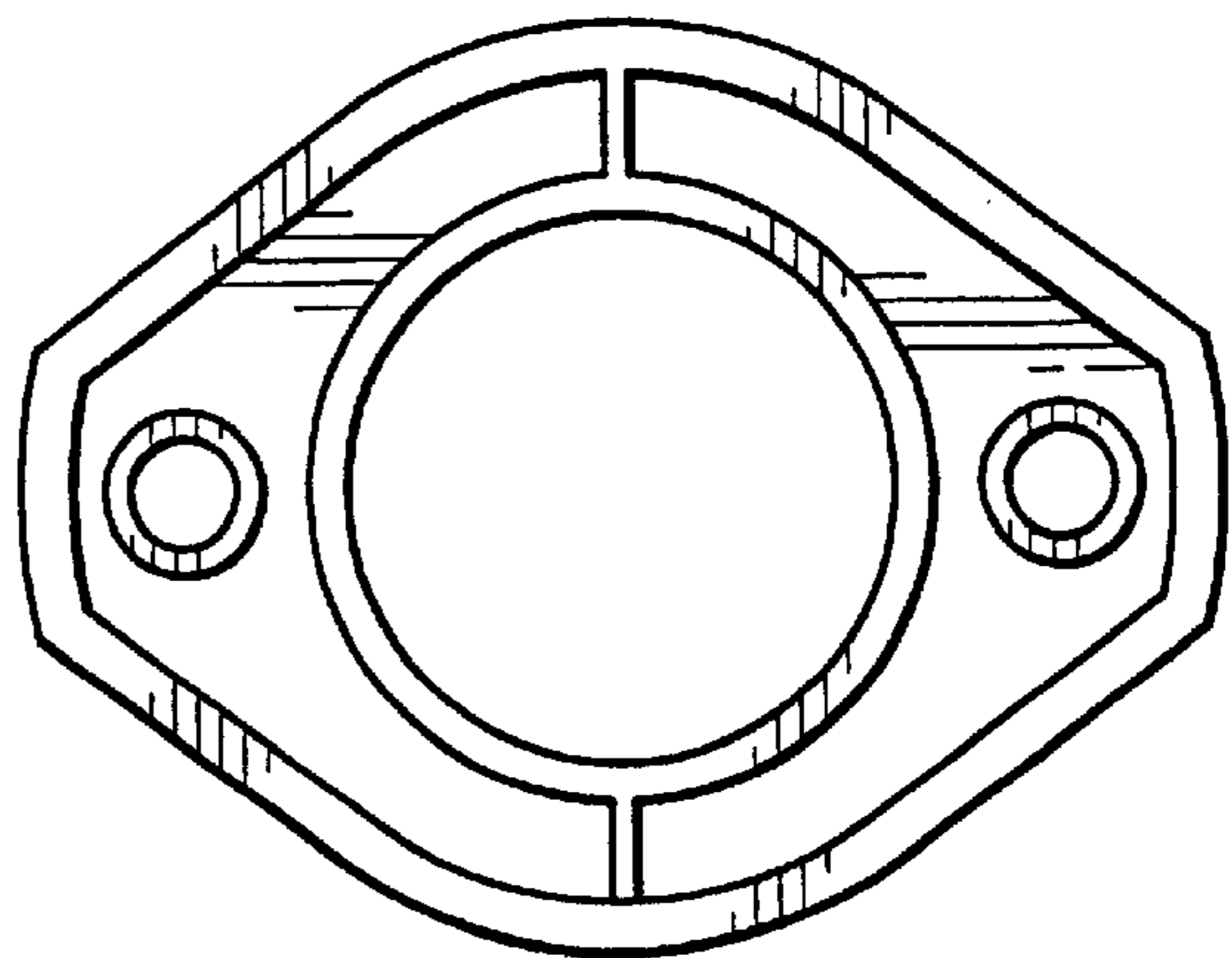


FIG. 5