



US00D465402S

(12) **United States Design Patent**
Ausilio

(10) **Patent No.:** **US D465,402 S**

(45) **Date of Patent:** **** *Nov. 12, 2002**

(54) **POSITIONING BRACKET**

(75) Inventor: **John S. Ausilio**, Clinton Township, MI (US)

(73) Assignee: **Ultimate Standard Tooling International, LLC**, Clinton Township, MI (US)

(*) Notice: This patent is subject to a terminal disclaimer.

(**) Term: **14 Years**

(21) Appl. No.: **29/143,062**

(22) Filed: **Jun. 6, 2001**

(51) **LOC (7) Cl.** **08-05**

(52) **U.S. Cl.** **D8/354**

(58) **Field of Search** D8/349, 354, 355, D8/356, 366, 373, 380, 382; 52/370, 712, 714, 715; 81/DIG. 1; 248/200, 201, 300, 72, 309.1, 911; 403/187, 188, 189, 230

(56) **References Cited**

U.S. PATENT DOCUMENTS

6,059,482 A * 5/2000 Beauvoir 403/187
D431,999 S * 10/2000 Haltof D8/354

D439,137 S * 3/2001 Ausilio D8/354
D443,810 S * 6/2001 Ausilio D8/354
D445,327 S * 7/2001 Emms D8/382

* cited by examiner

Primary Examiner—Doris V. Coles

Assistant Examiner—Elizabeth A. Albert

(74) *Attorney, Agent, or Firm*—Duane Morris LLP

(57) **CLAIM**

The ornamental design for a positioning bracket, as shown and described.

DESCRIPTION

FIG. 1 is a front right perspective view of the positioning bracket according to the invention;

FIG. 2 is a front right perspective view of the positioning bracket;

FIG. 3 is a front view of the positioning bracket;

FIG. 4 is a back view of the positioning bracket;

FIG. 5 is a left view of the positioning bracket;

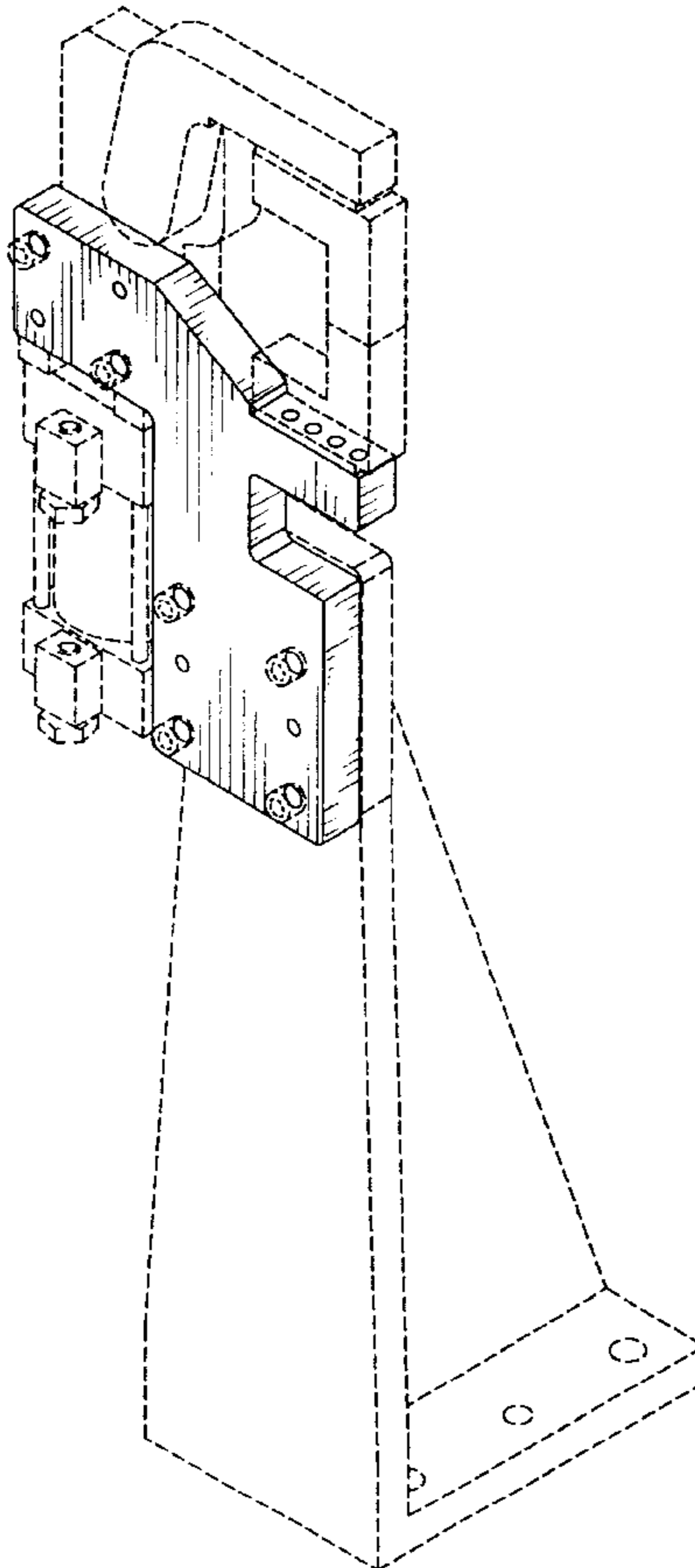
FIG. 6 is a right view of the positioning bracket;

FIG. 7 is a top view of the positioning bracket; and,

FIG. 8 is a bottom view of the positioning bracket.

The broken line showing of structure is for illustrative purposes only and forms no part of the claimed design.

1 Claim, 4 Drawing Sheets



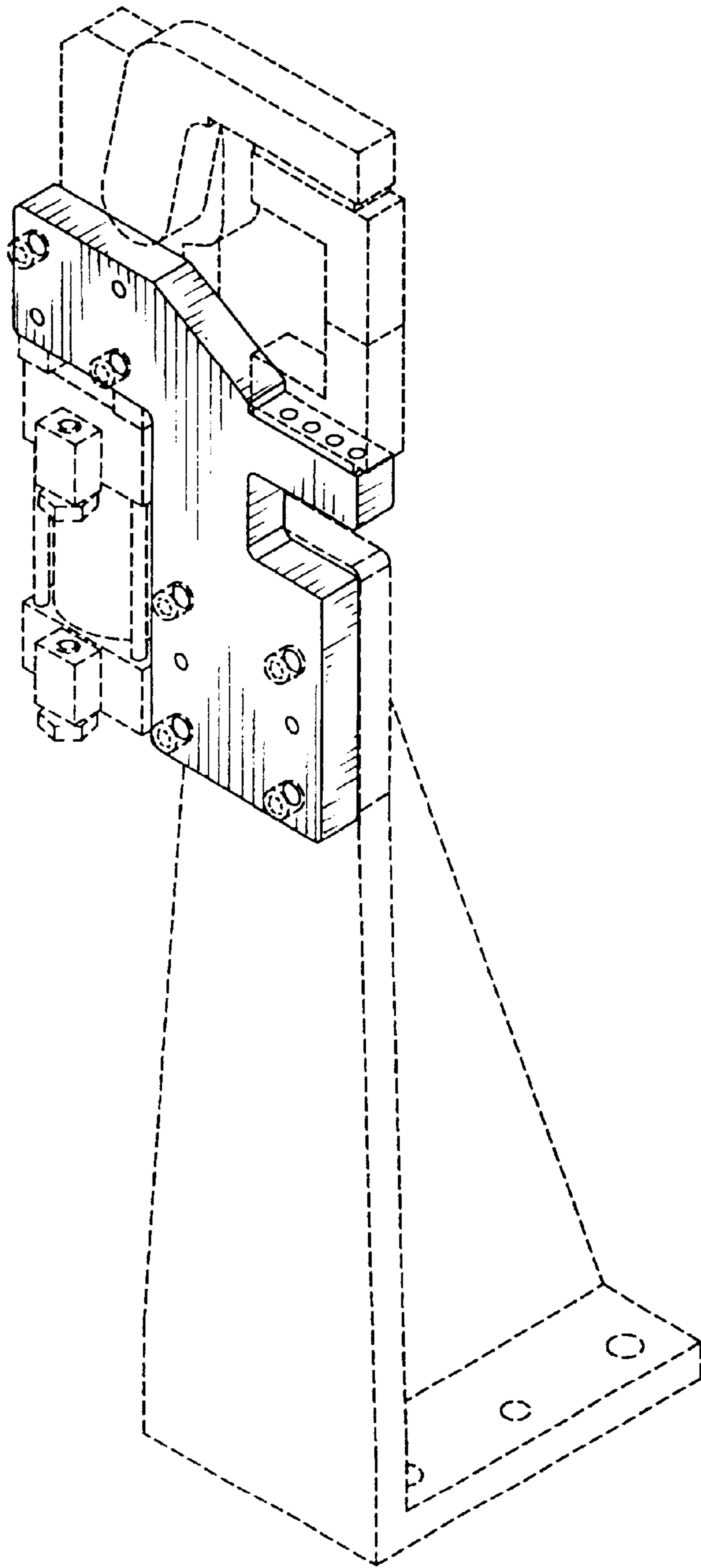


FIG. 1

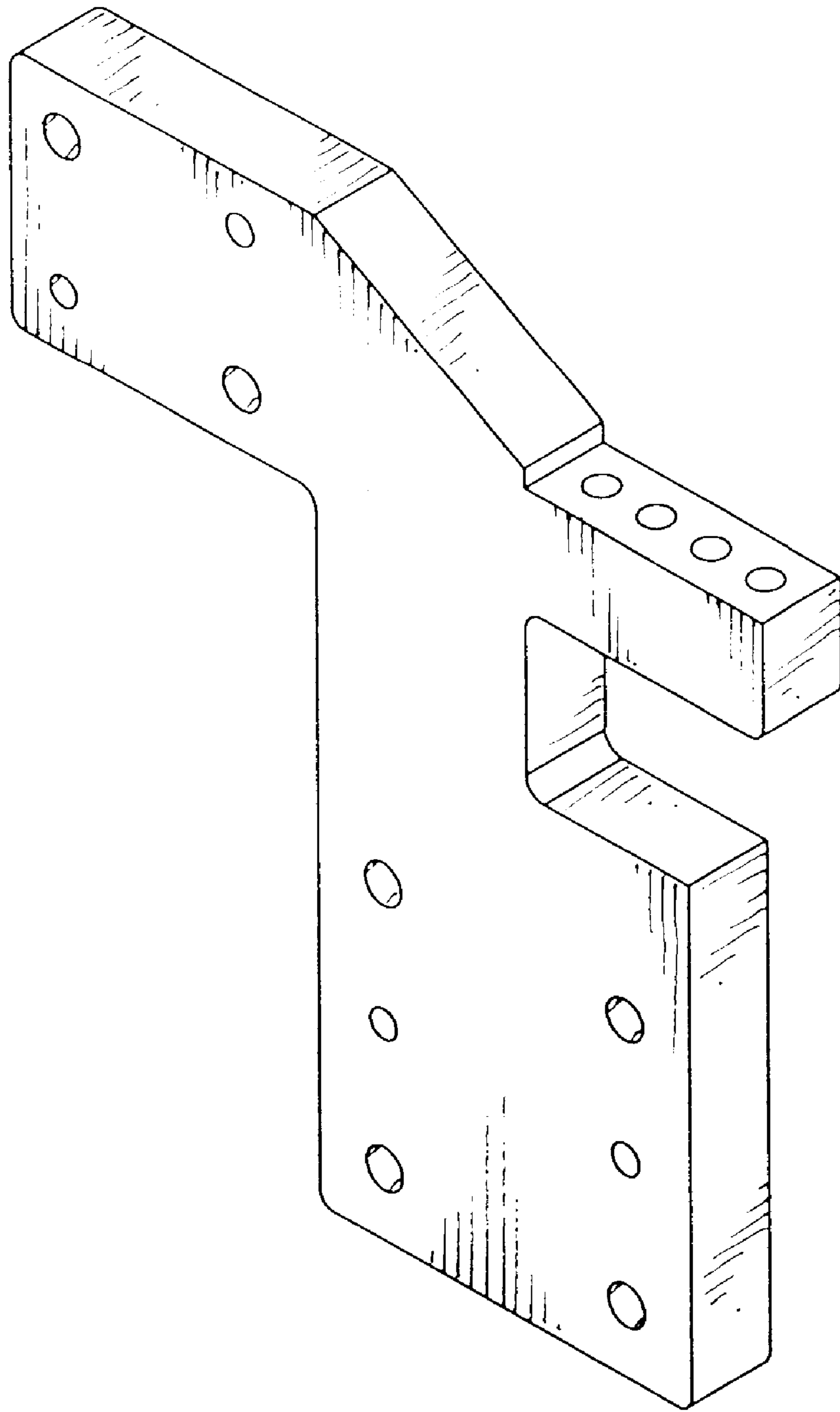
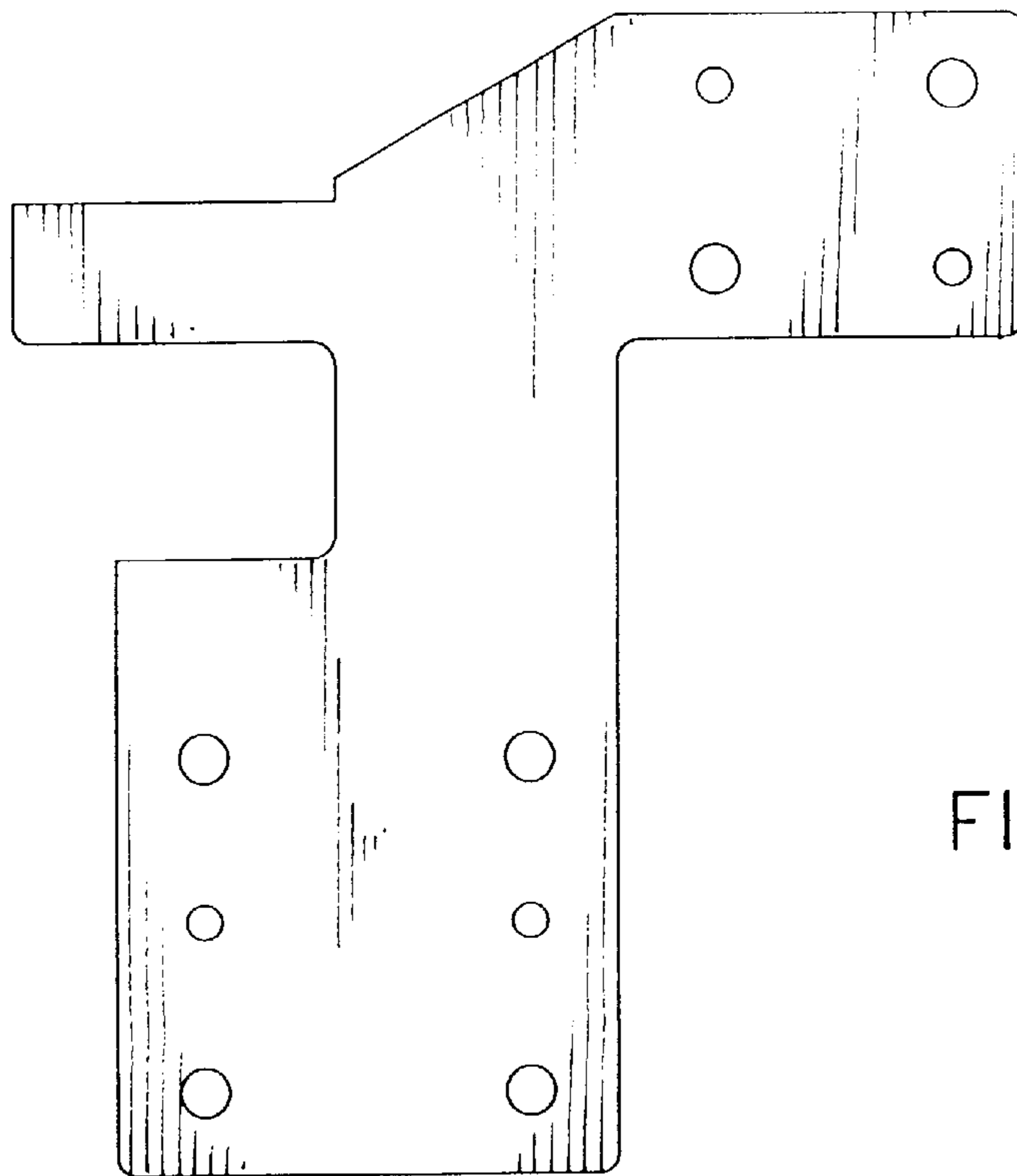
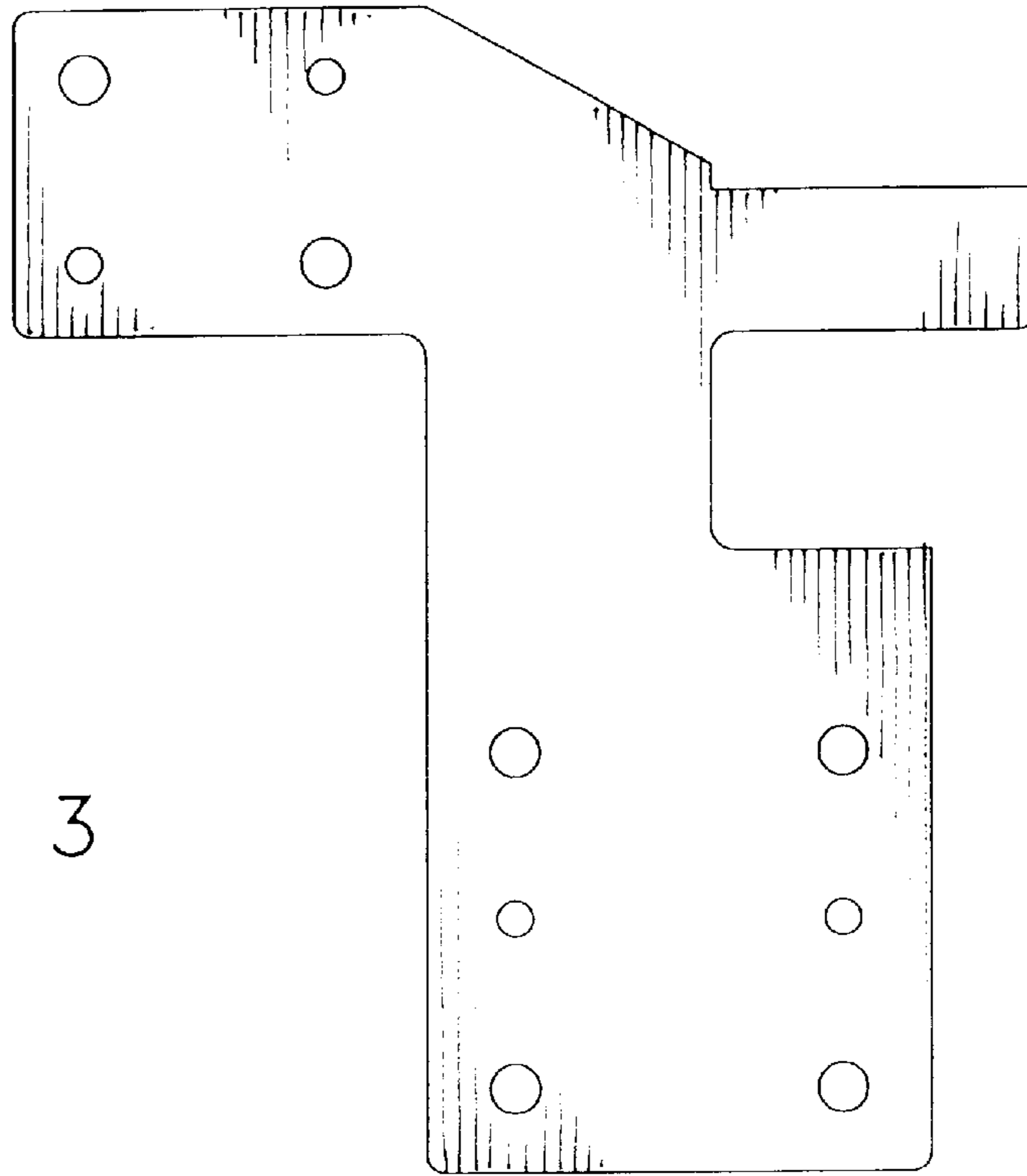


FIG. 2



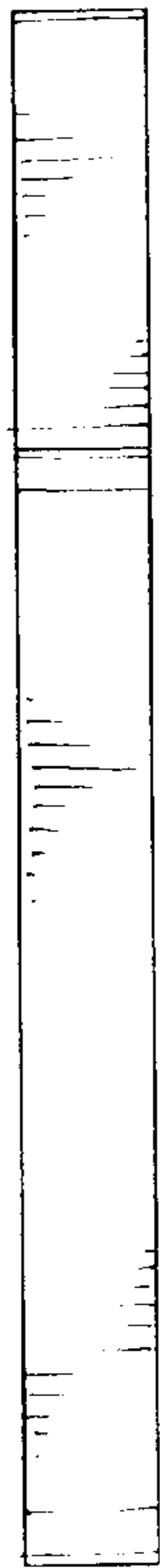


FIG. 5



FIG. 6

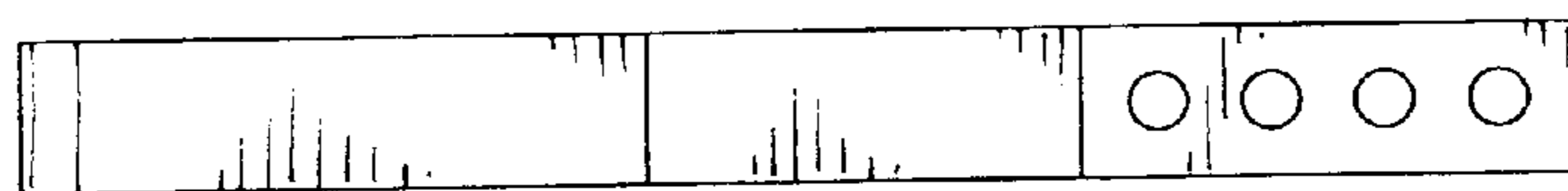


FIG. 7

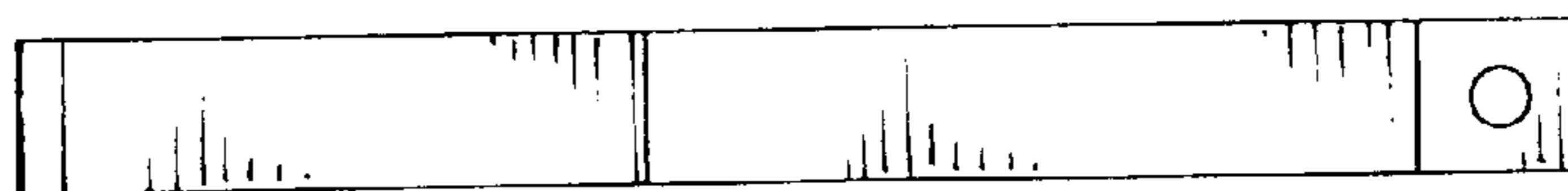


FIG. 8