



US00D465400S

(12) **United States Design Patent**
Moore et al.

(10) **Patent No.:** **US D465,400 S**

(45) **Date of Patent:** **** Nov. 12, 2002**

(54) **TETHER COVER FOR A CHILD SEAT ATTACHMENT SYSTEM**

(75) Inventors: **Donal Moore**, Birmingham, MI (US);
Brian Bateman, Rochester Hills, MI (US); **Paul A. Maloney**, Ann Arbor, MI (US)

(73) Assignee: **Polytech Netting, L.P.**, Troy, MI (US)

(**) Term: **14 Years**

(21) Appl. No.: **29/136,006**

(22) Filed: **Jan. 23, 2001**

(51) **LOC (7) Cl.** **08-07**

(52) **U.S. Cl.** **D8/331; D8/331; D8/383**

(58) **Field of Search** **D8/300, 302, 306, D8/382, 383, 313, 356, 331, 336; 24/163 R, 170, 68 R, 70 ST, 69 CT, 69 SB, 71 R, 71 ST, 68 SB, 68 E**

(56) **References Cited**

U.S. PATENT DOCUMENTS

- 2,746,784 A * 5/1956 Holritz
- 2,840,407 A * 6/1958 Sellon, Jr.
- 2,871,048 A * 1/1959 Balogh
- D210,152 S * 2/1968 Pastva, Jr.

- D218,672 S * 9/1970 Lauper
- D230,132 S * 1/1974 Pastva, Jr.
- D303,619 S * 9/1989 Russell et al. D8/313
- D303,621 S * 9/1989 Russell et al. D8/313
- D342,203 S * 12/1993 Lougee D8/313

* cited by examiner

Primary Examiner—Alan P. Douglas

Assistant Examiner—Clare E. Heflin

(74) *Attorney, Agent, or Firm*—Young & Basile, P.C.

(57) **CLAIM**

The ornamental design for a tether cover for a child seat attachment system, as shown and described.

DESCRIPTION

FIG. 1 is a perspective view of the tether cover for a child seat attachment system embodying the ornamental design constituting our invention, shown with the cap partially open;

FIG. 2 is a top plan view of the tether cover of the present invention, shown with the cap closed;

FIG. 3 is a front elevational view of the tether cover of FIG. 2, which is the mirror image of the rear elevational view;

FIG. 4 is a bottom plan view of the tether cover of FIG. 2;

FIG. 5 is a left end elevational view of FIG. 3; and,

FIG. 6 is a right end elevational view of FIG. 3.

1 Claim, 2 Drawing Sheets

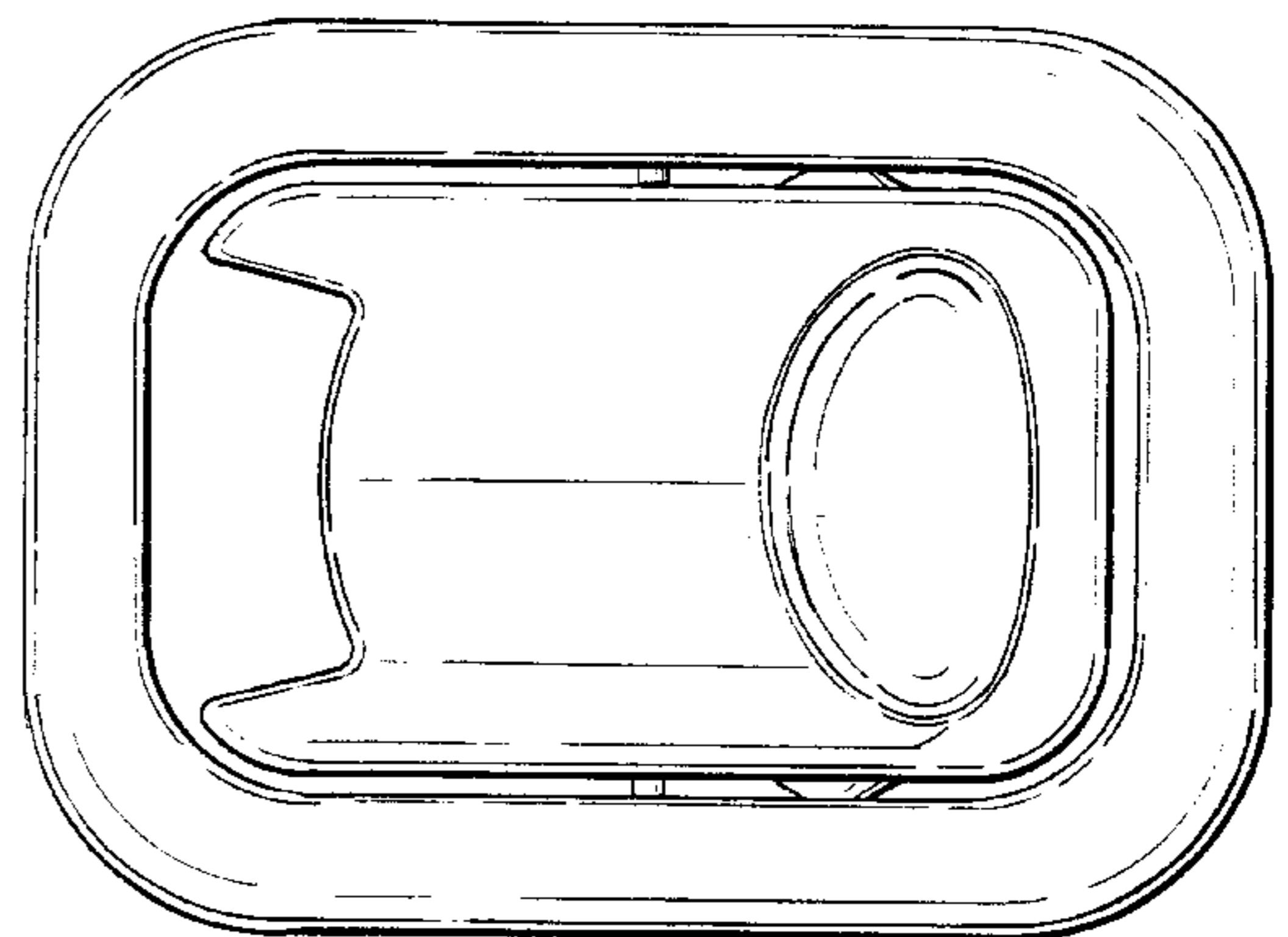
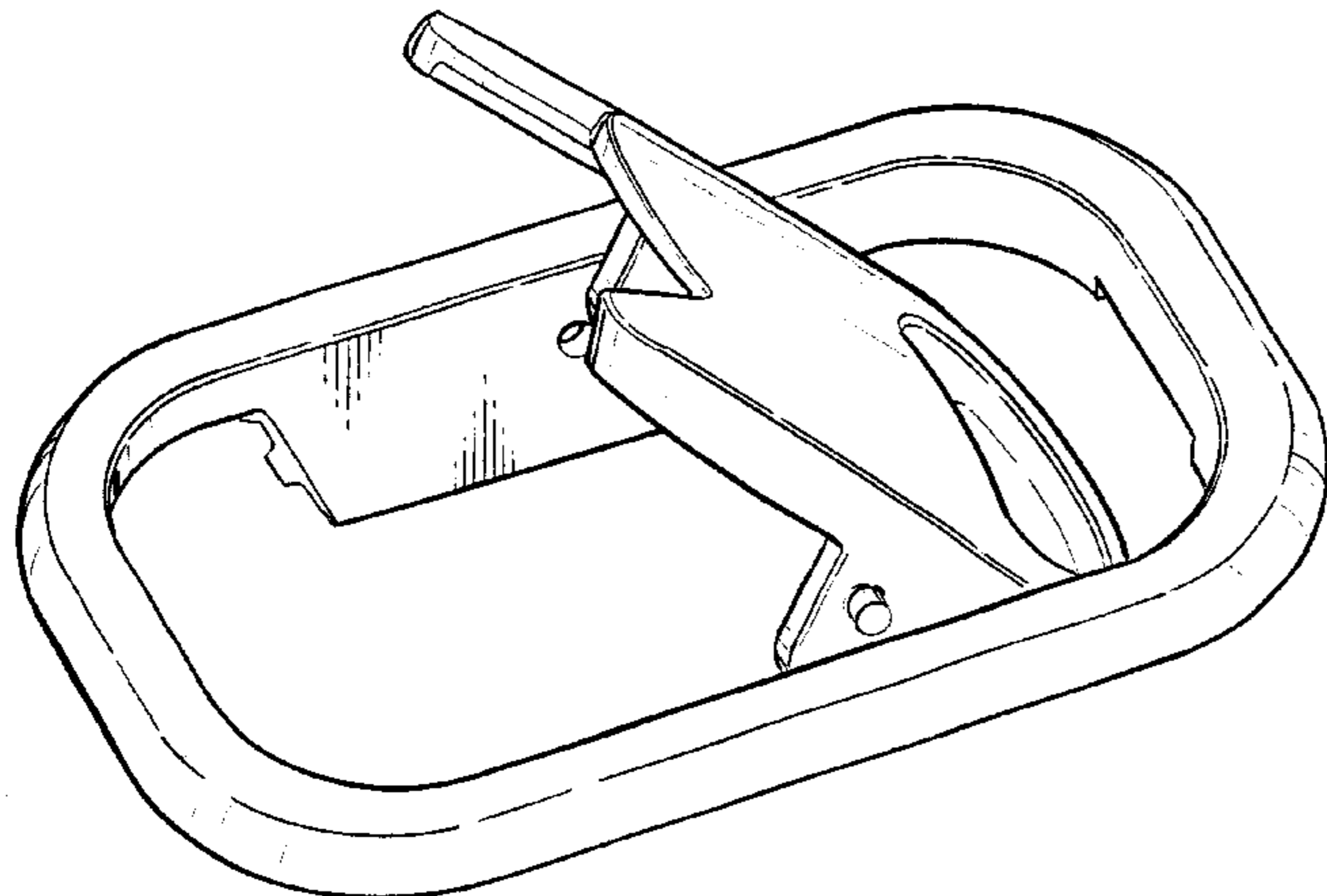


FIG - 1

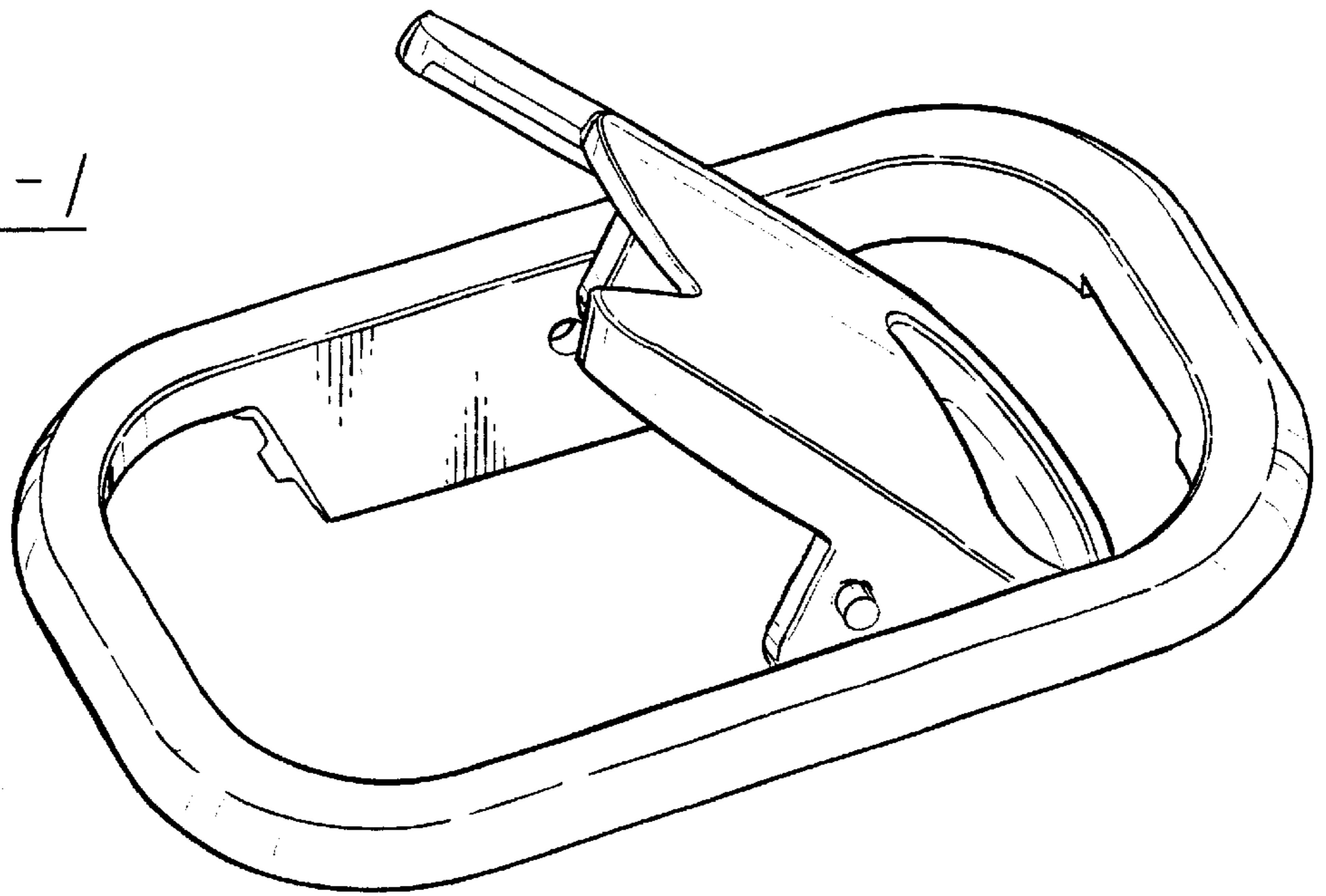


FIG - 2

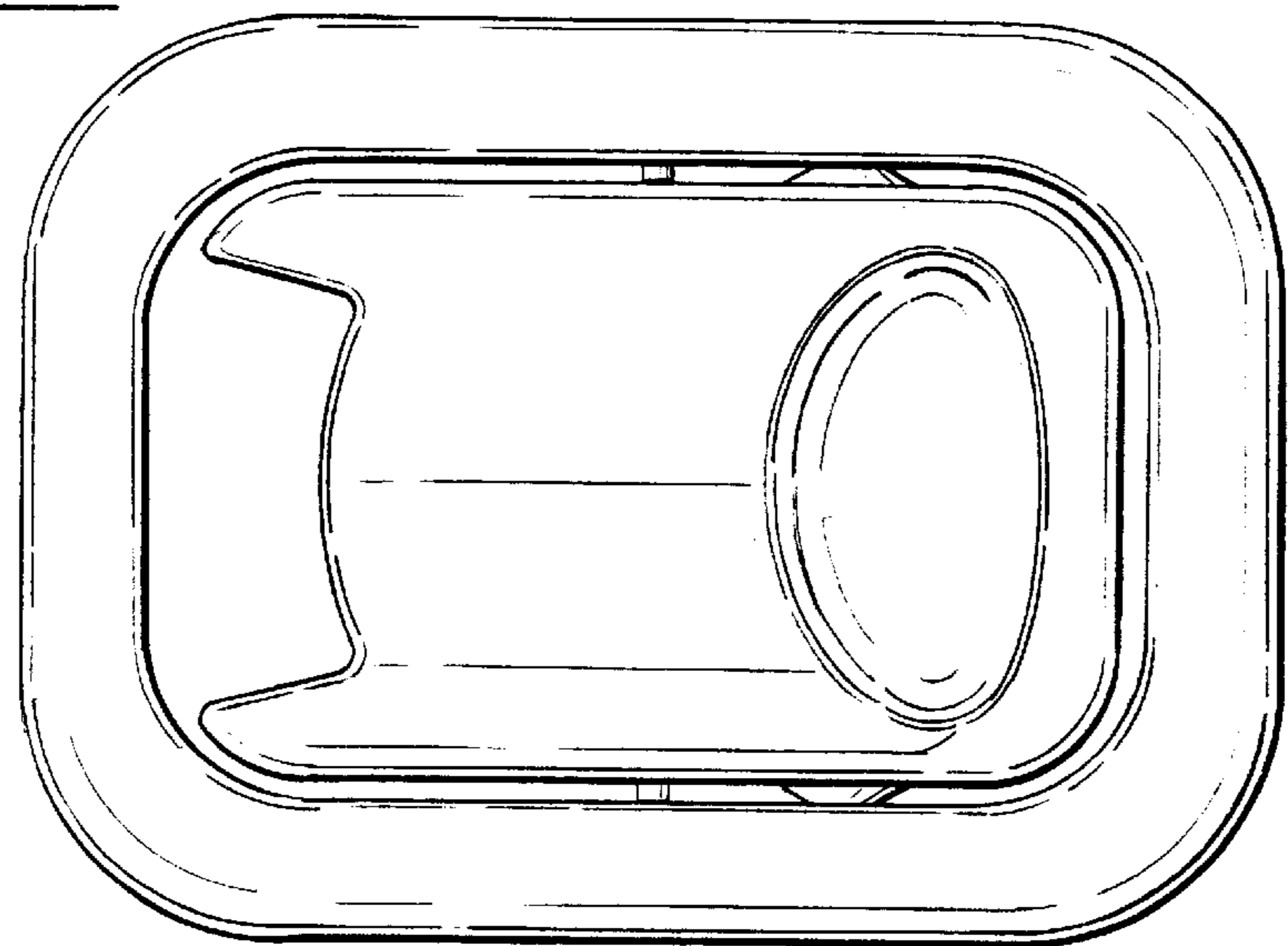
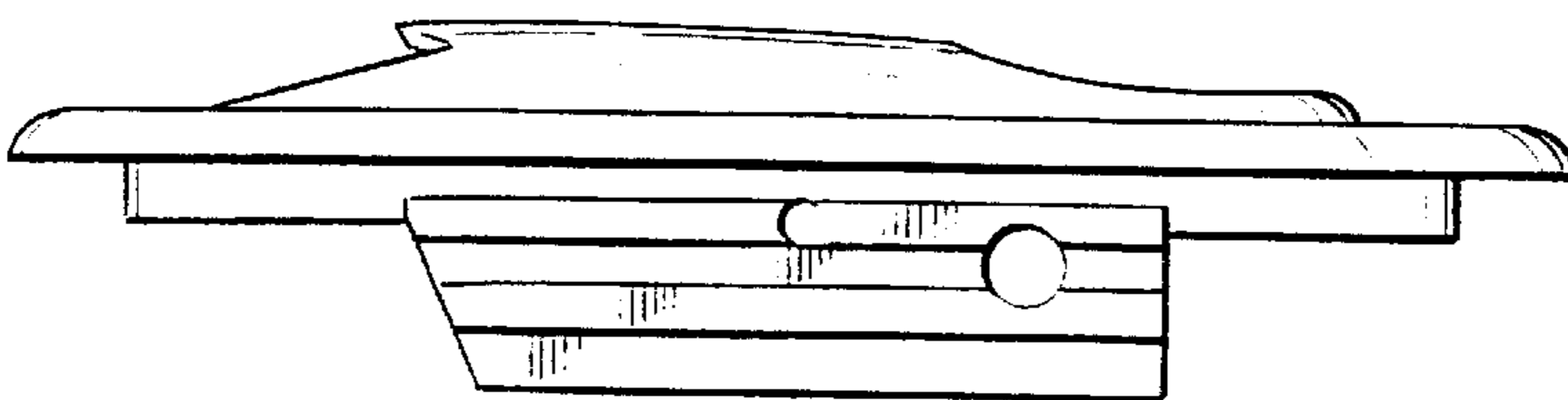


FIG - 3



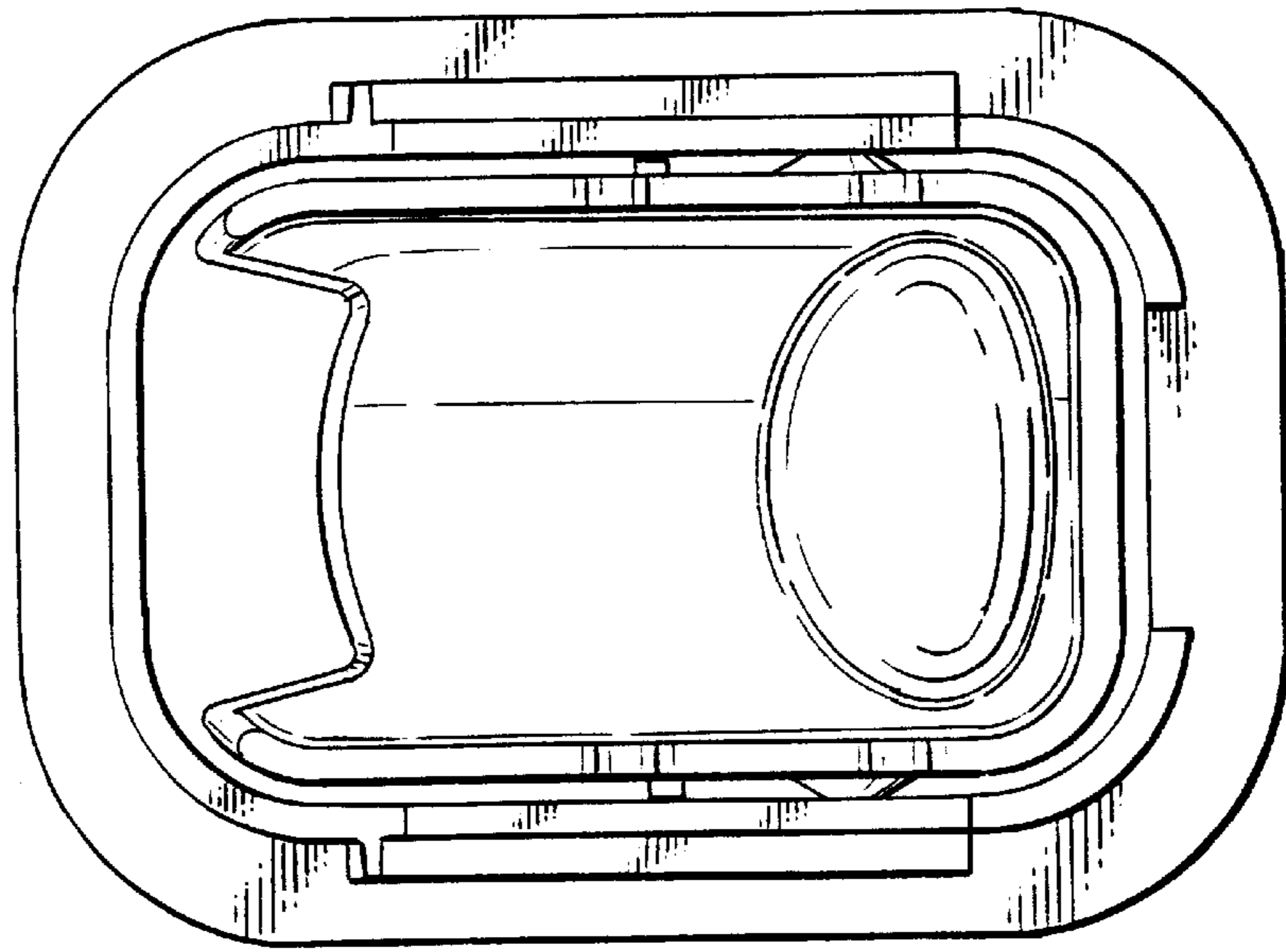


FIG-4

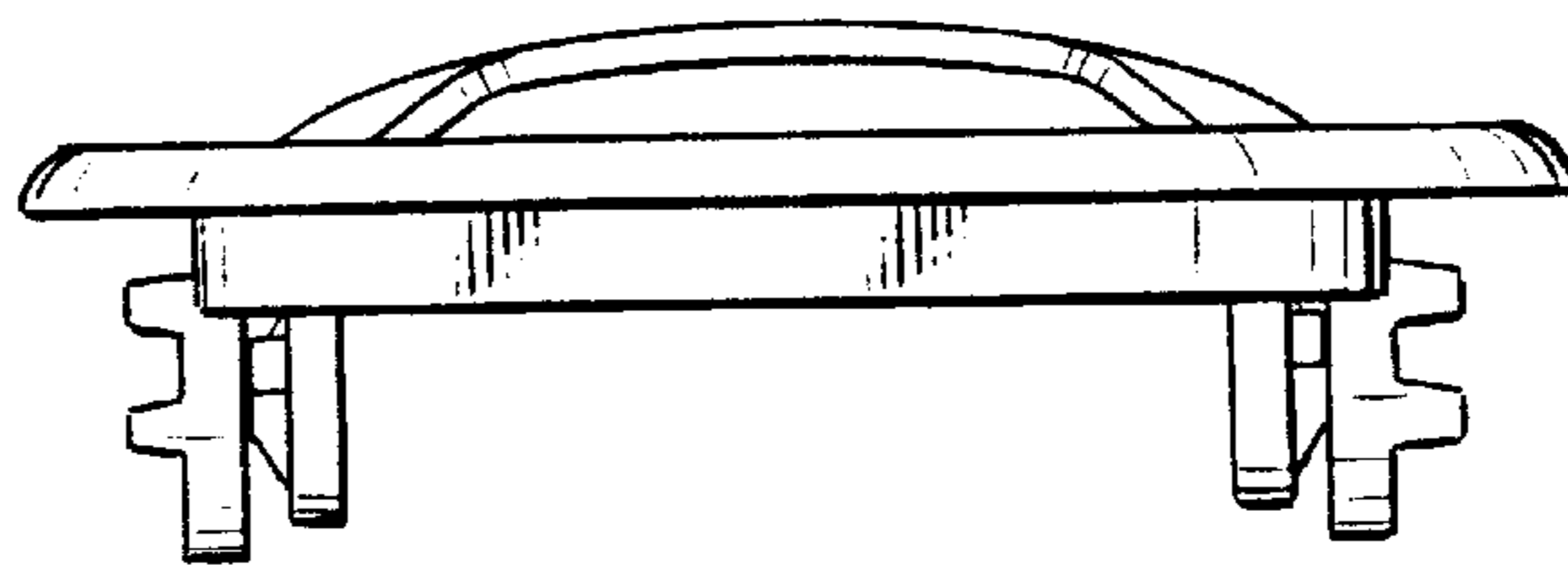


FIG-5

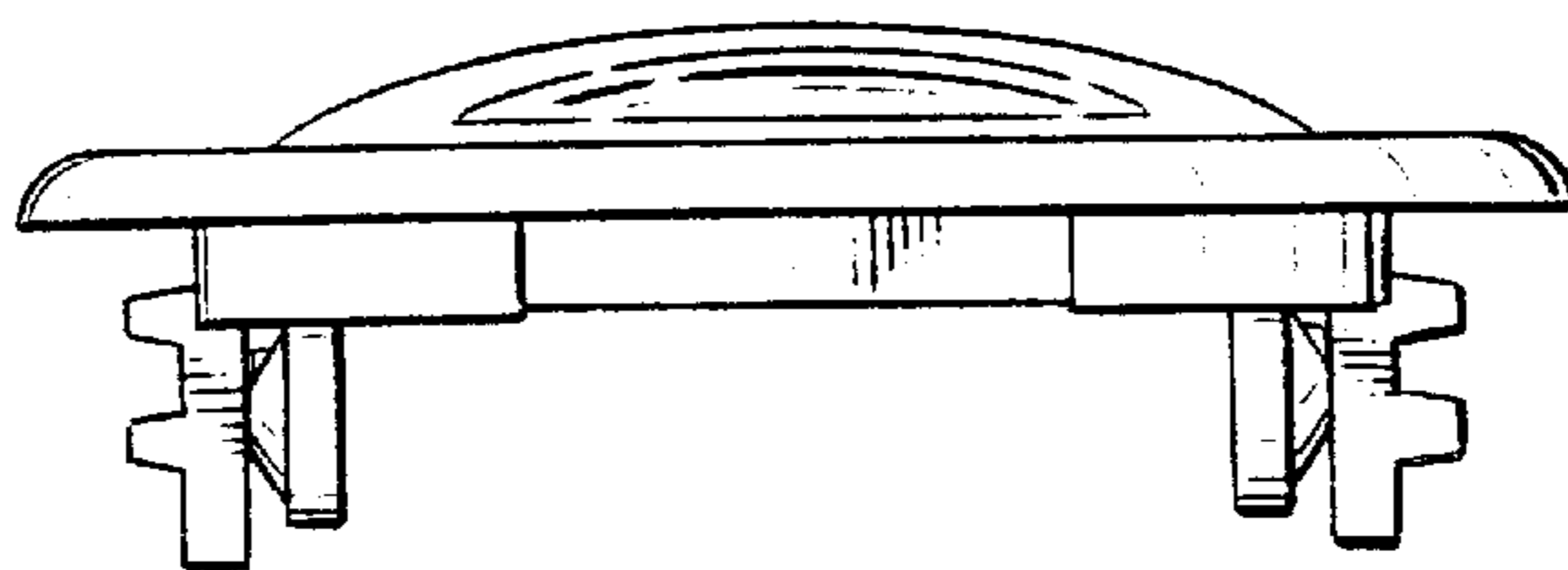


FIG-6