



US00D465399S

(12) **United States Design Patent**
Weinerman et al.

(10) **Patent No.: US D465,399 S**

(45) **Date of Patent: ** Nov. 12, 2002**

(54) **COMBINATION OF HOUSING AND T-HANDLE FOR LATCHES AND LOCKS**

(75) Inventors: **Lee S. Weinerman**, Medina, OH (US);
Scott A. Arthurs, Brunswick, OH (US)

(73) Assignee: **The Eastern Company**, Cleveland, OH (US)

(**) Term: **14 Years**

(21) Appl. No.: **29/154,654**

(22) Filed: **Jan. 25, 2002**

Related U.S. Application Data

(62) Division of application No. 29/130,907, filed on Oct. 11, 2000.

(51) **LOC (7) Cl.** **08-06**

(52) **U.S. Cl.** **D8/302; D8/306; D8/353**

(58) **Field of Search** D8/301, 302, 306,
D8/307, 338, 341, 350, 353; 70/135, 208;
16/412; 292/336.3, DIG. 31; D12/196

(56) **References Cited**

U.S. PATENT DOCUMENTS

D119,418 S	3/1940	Anderson et al.	D50/5
2,735,706 A	2/1956	Pelcin	292/34
3,209,564 A	10/1965	Pelcin	70/148
D210,152 S	2/1968	Pastva	D50/5
D210,153 S	2/1968	Pastva	D50/5
D230,132 S	1/1974	Pastva	D8/6
4,116,027 A	9/1978	Tannery	70/472
4,131,002 A	12/1978	Gianelo	70/84
4,312,203 A	1/1982	Davis	70/472
4,320,642 A	3/1982	Pastva, Jr.	70/472
4,370,874 A	2/1983	Munn	70/204
4,420,954 A	12/1983	Hieronymi et al.	70/150
4,438,964 A	3/1984	Peters	292/216
4,634,161 A	1/1987	Fukasawa et al.	292/336.3
4,706,478 A	11/1987	Swan et al.	70/208
4,707,006 A	11/1987	Garg et al.	292/336.3
4,838,054 A	6/1989	Weinerman et al.	70/208

4,838,056 A	6/1989	Weinerman et al.	70/208
4,841,755 A	6/1989	Weinerman et al.	70/208
4,850,208 A	7/1989	Weinerman et al.	70/208
4,850,209 A	7/1989	Weinerman et al.	70/208
D303,617 S	9/1989	Russell et al.	D8/306

(List continued on next page.)

Primary Examiner—B. J. Bullock

(74) *Attorney, Agent, or Firm*—David A. Burge

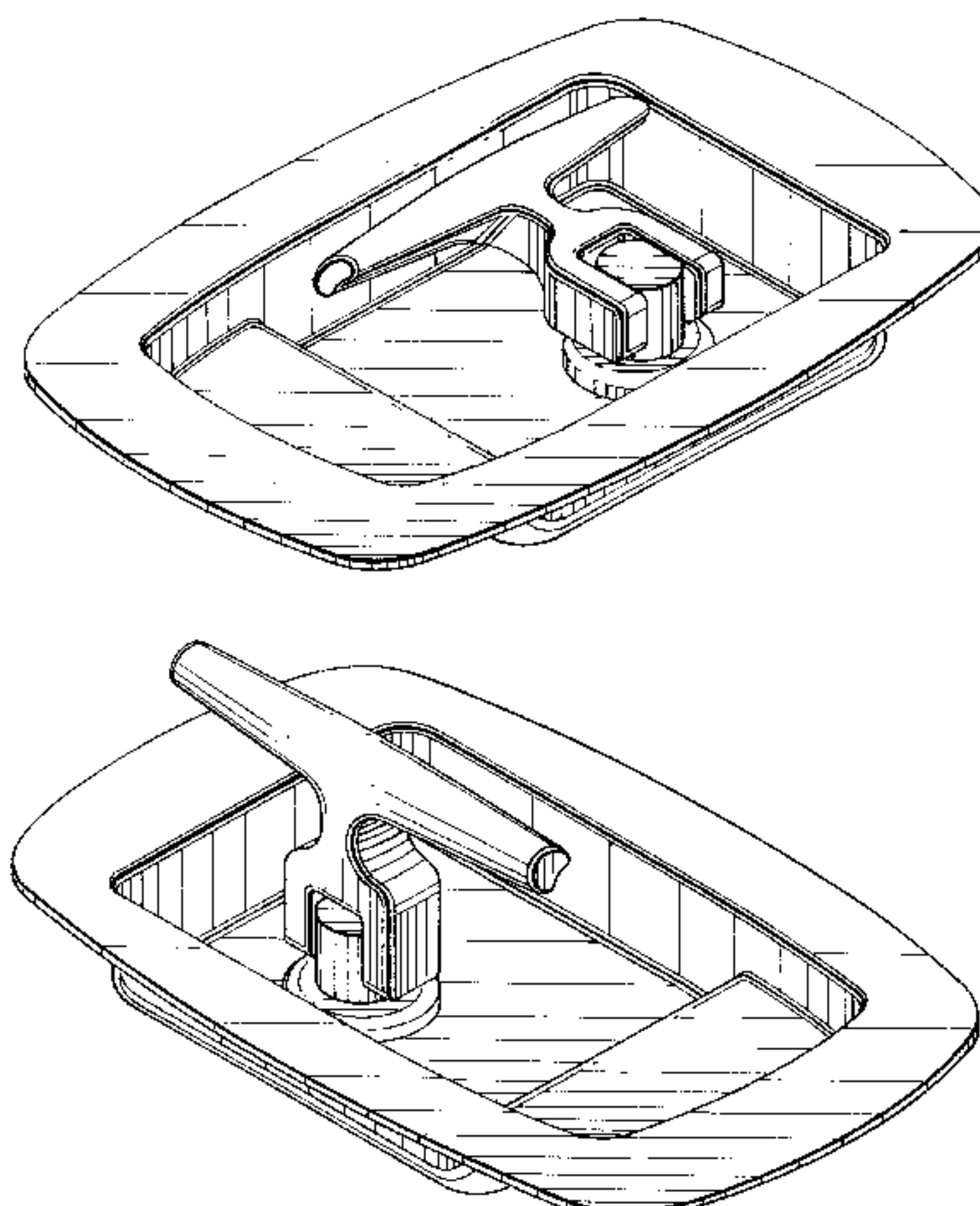
(57) **CLAIM**

We claim the ornamental design for a combination of housing and T-handle for latches and locks, as shown and described.

DESCRIPTION

FIG. 1 is a perspective view showing front portions of a first embodiment of our new design;
 FIG. 2 is a perspective view showing rear portions thereof;
 FIG. 3 is a front side elevational view thereof;
 FIG. 4 is a rear side elevational view thereof;
 FIG. 5 is a bottom view thereof, it being understood that a top view would be a mirror image reversal of this view;
 FIG. 6 is a left end view thereof;
 FIG. 7 is a right end view thereof;
 FIG. 8 is a perspective view showing the handle extended relative to the housing by being pivoted to an operated position;
 FIG. 9 is a perspective view showing front portions of a second embodiment of our new design;
 FIG. 10 is a perspective view showing rear portions thereof;
 FIG. 11 is a front side elevational view thereof;
 FIG. 12 is a rear side elevational view thereof;
 FIG. 13 is a bottom view thereof, it being understood that a top view would be a mirror image reversal of this view;
 FIG. 14 is a left end view thereof;
 FIG. 15 is a right end view thereof; and,
 FIG. 16 is a perspective view showing the handle entended relative to the housing by being pivoted to an operated position.

1 Claim, 8 Drawing Sheets

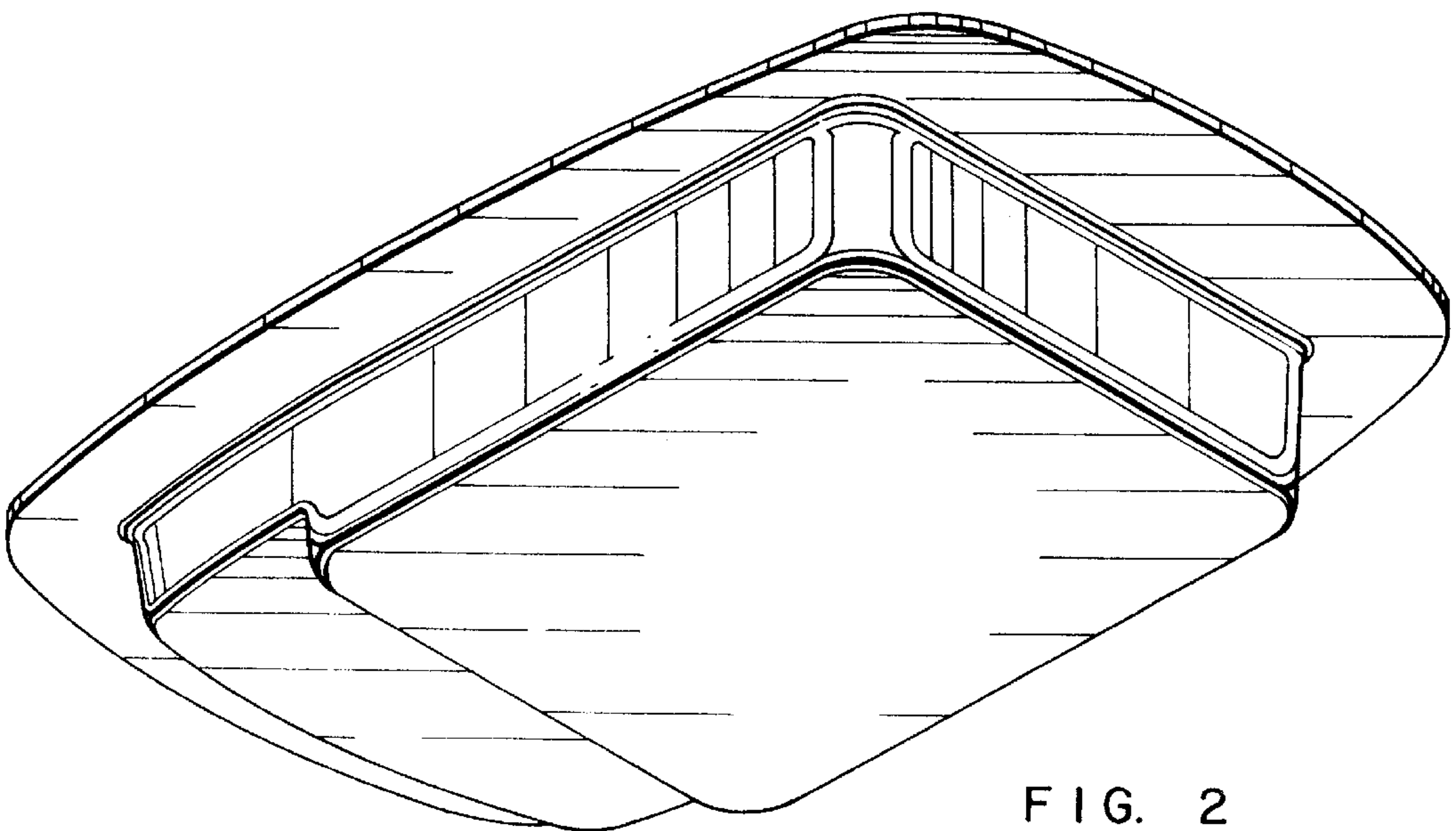
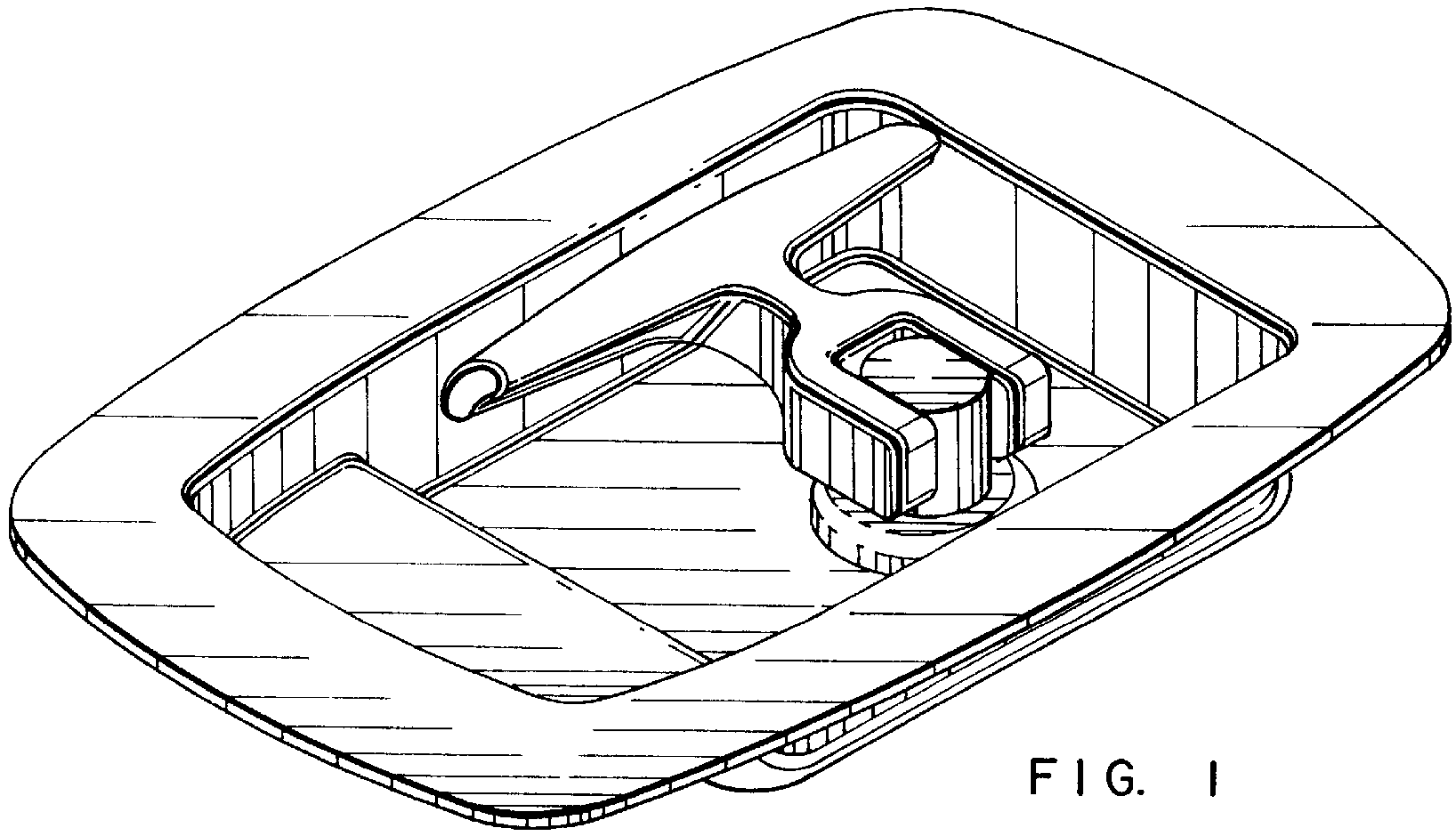


US D465,399 S

Page 2

U.S. PATENT DOCUMENTS

D303,618 S	9/1989	Russell et al.	D8/306	D369,089 S	4/1996	Zenner	D8/343
D303,619 S	9/1989	Russell et al.	D8/313	5,526,660 A	6/1996	Bennett et al.	70/208
D303,620 S	9/1989	Russell et al.	D8/313	D371,500 S	7/1996	McConnell et al.	D8/302
D303,621 S	9/1989	Russell et al.	D8/313	D373,298 S	9/1996	Miehe et al.	
D303,922 S	10/1989	Russell et al.	D8/321	5,564,295 A	10/1996	Weinerman et al.	70/208
D304,155 S	10/1989	Russell et al.	D8/303	5,586,458 A	12/1996	Weinerman et al.	70/208
4,896,906 A	1/1990	Weinerman et al.	292/48	5,606,882 A	3/1997	Larsen et al.	70/369
4,911,487 A	3/1990	Rachocki	292/216	5,611,224 A	3/1997	Weinerman et al.	70/208
4,917,412 A	4/1990	Swan et al.	292/48	D383,664 S	9/1997	Bennett	D8/331
4,951,486 A	8/1990	Braun et al.	70/208	D390,086 S	2/1998	Weinerman et al.	D8/306
4,969,916 A	11/1990	Weinerman et al.	70/208	D394,373 S	5/1998	Weinerman et al.	D8/306
D314,131 S	1/1991	Russell et al.	D8/321	5,820,174 A	10/1998	Parikh et al.	292/126
4,989,907 A	2/1991	Edmonds et al.	292/223	5,820,175 A	10/1998	Clavin	292/165
5,042,853 A	8/1991	Gleason et al.	292/126	5,884,948 A	3/1999	Weinerman et al.	292/216
5,046,340 A	9/1991	Weinerman et al.	70/208	D410,424 S	6/1999	Hansen	D12/196
5,058,937 A	10/1991	Miehe et al.	292/34	D410,609 S	6/1999	Hansen	D12/196
5,069,491 A	12/1991	Weinerman et al.	292/48	5,927,772 A	7/1999	Antonucci et al.	292/336.3
D323,776 S	2/1992	Hansen	D8/338	5,927,773 A	7/1999	Larsen et al.	292/337
D328,231 S	7/1992	Hansen	D8/301	5,941,104 A	8/1999	Sadler	70/208
5,127,686 A	7/1992	Gleason et al.	292/216	5,983,682 A	11/1999	Parikh	70/208
D339,050 S	9/1993	Gleason et al.	D8/301	5,984,383 A	11/1999	Parikh et al.	292/121
5,299,844 A	4/1994	Gleason	292/240	5,987,943 A	11/1999	Verga et al.	70/208
D346,731 S	5/1994	Larsen et al.	D8/301	5,992,908 A	11/1999	Yared et al.	292/196
5,413,391 A	5/1995	Clavin et al.	292/170	D417,555 S	12/1999	Yared et al.	D6/306
5,439,260 A	8/1995	Weinerman	292/48	D419,421 S	1/2000	Larsen et al.	D8/306
5,484,178 A	1/1996	Sandhu et al.	292/173	6,023,953 A	2/2000	Vickers et al.	70/208
D369,084 S	4/1996	McConnell et al.	D8/302	6,145,352 A	11/2000	Vickers et al.	70/208



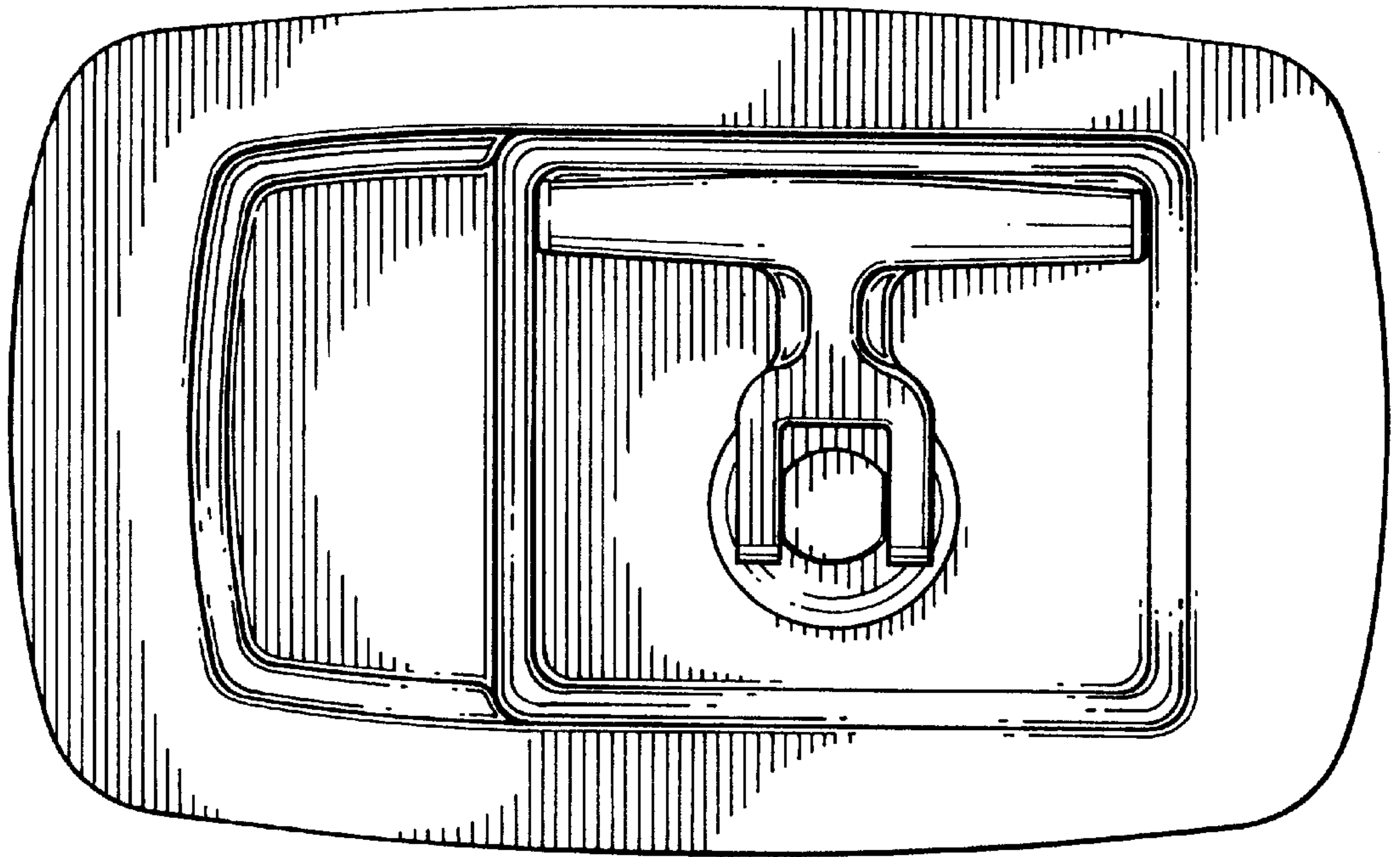


FIG. 3

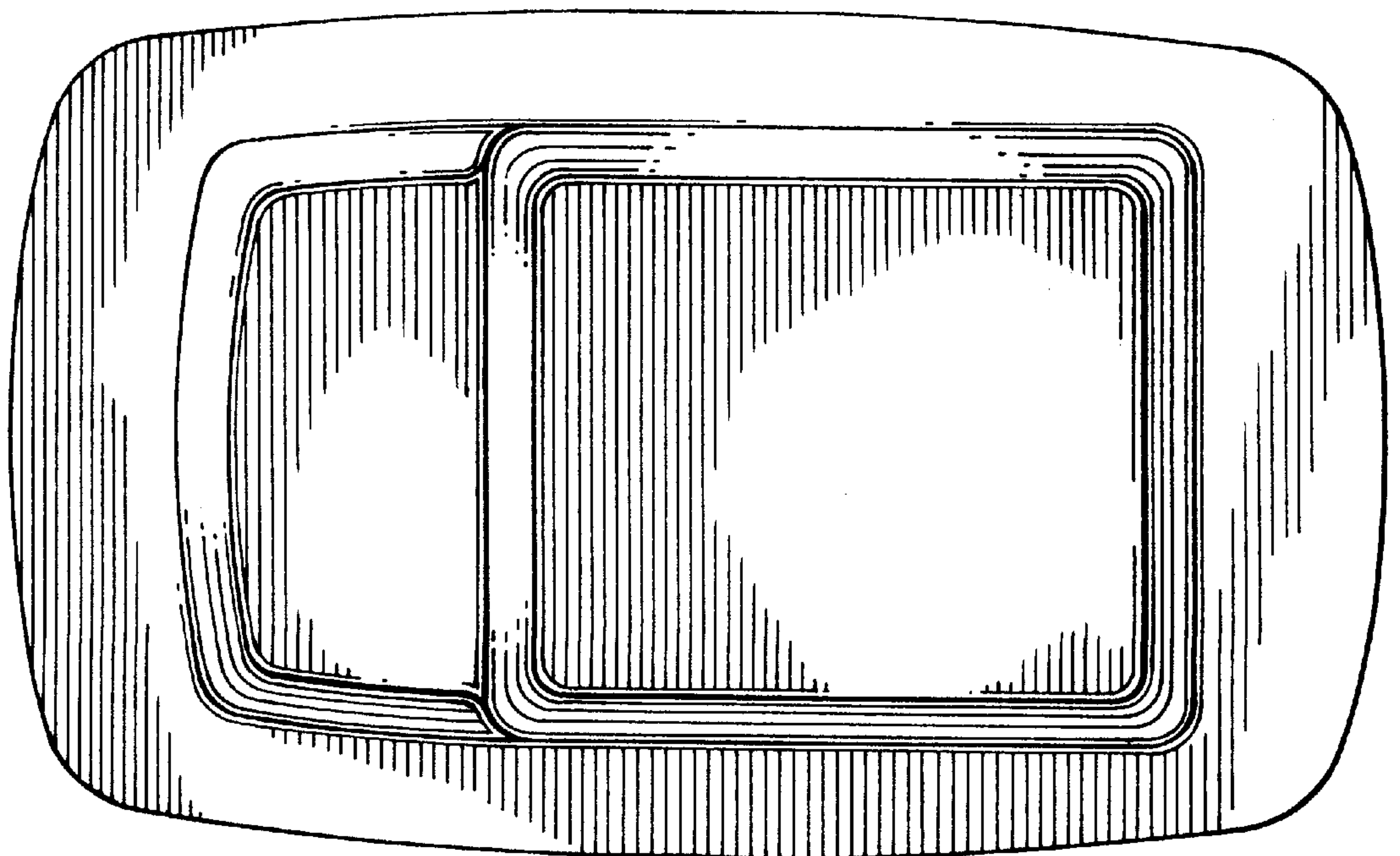


FIG 4

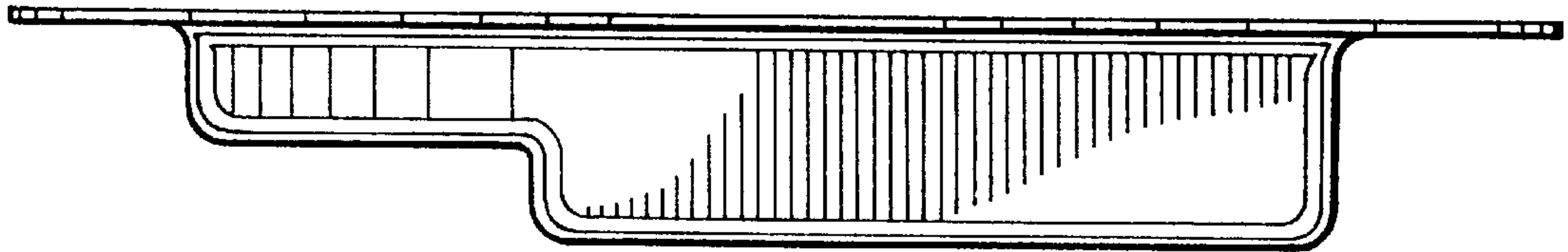


FIG. 5

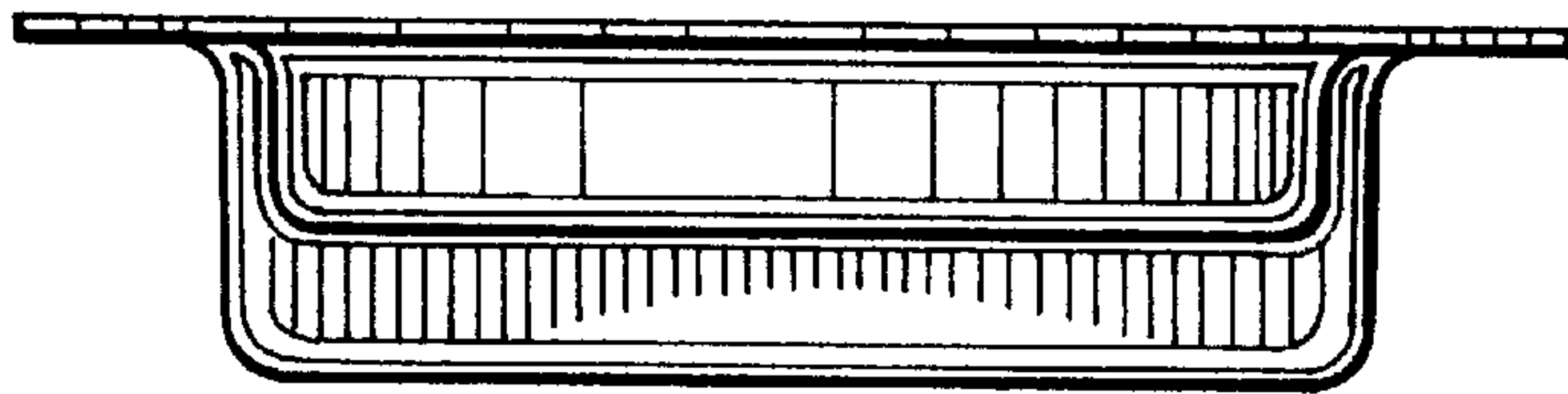


FIG. 6

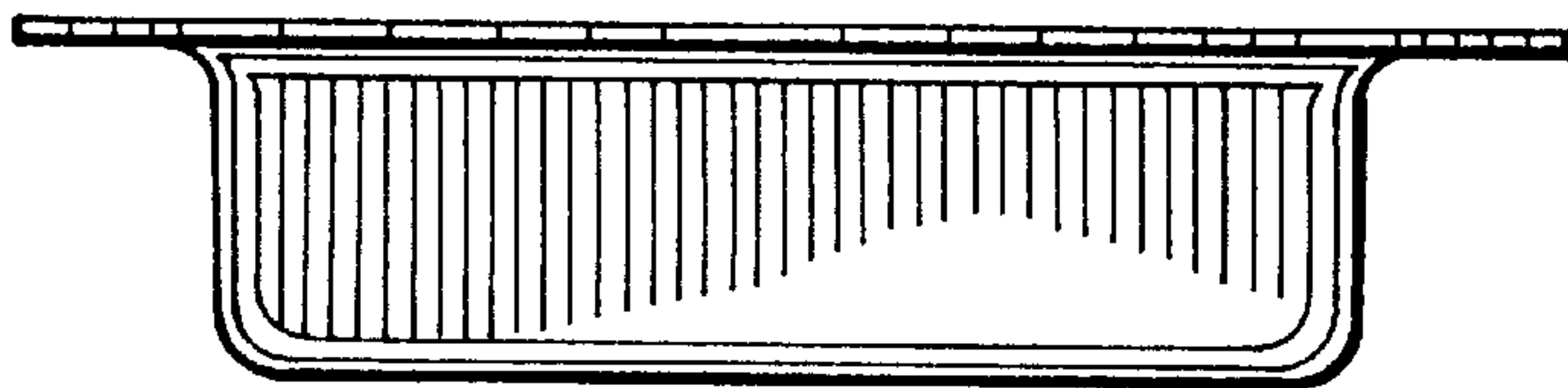


FIG. 7

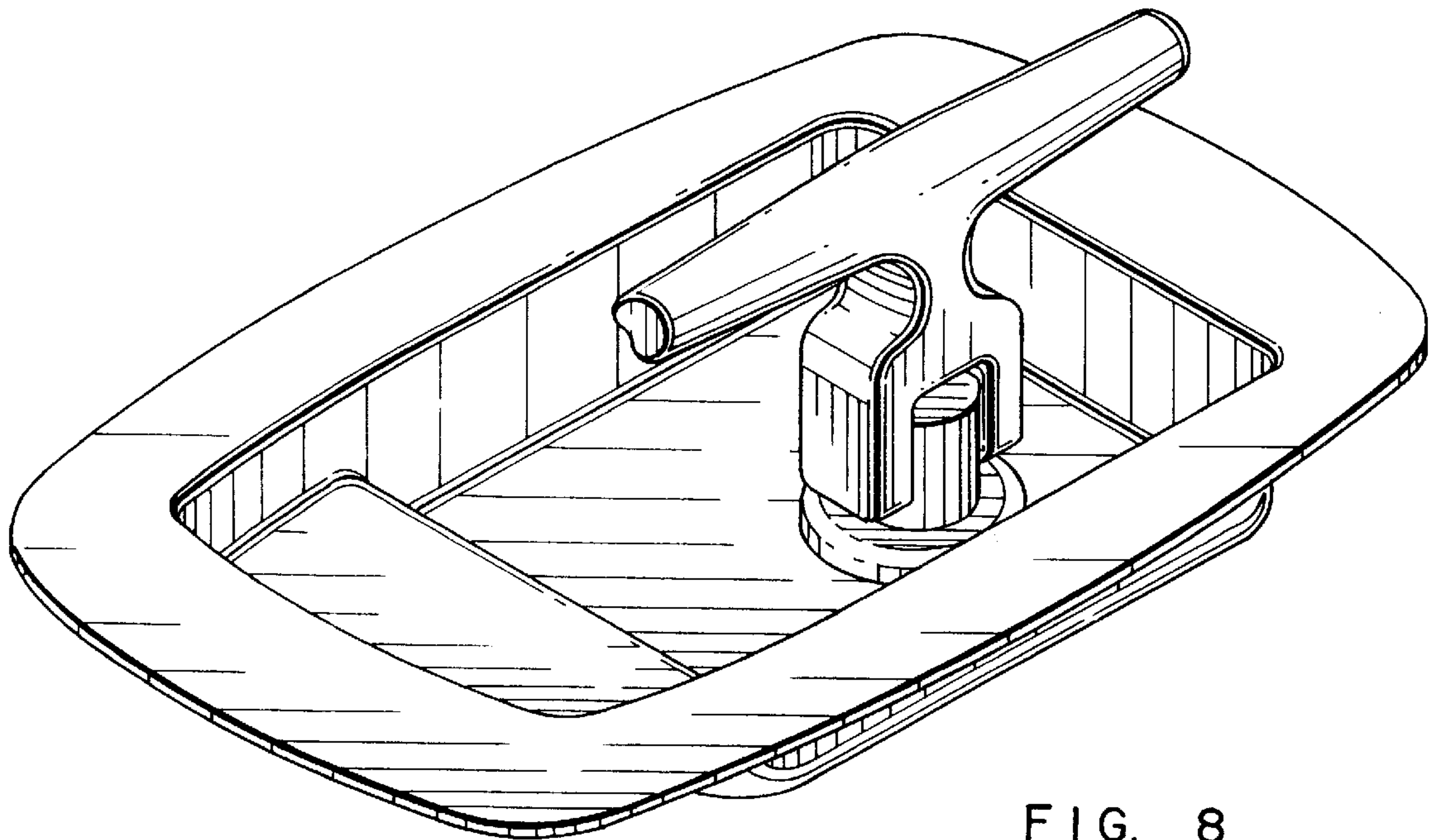


FIG. 8

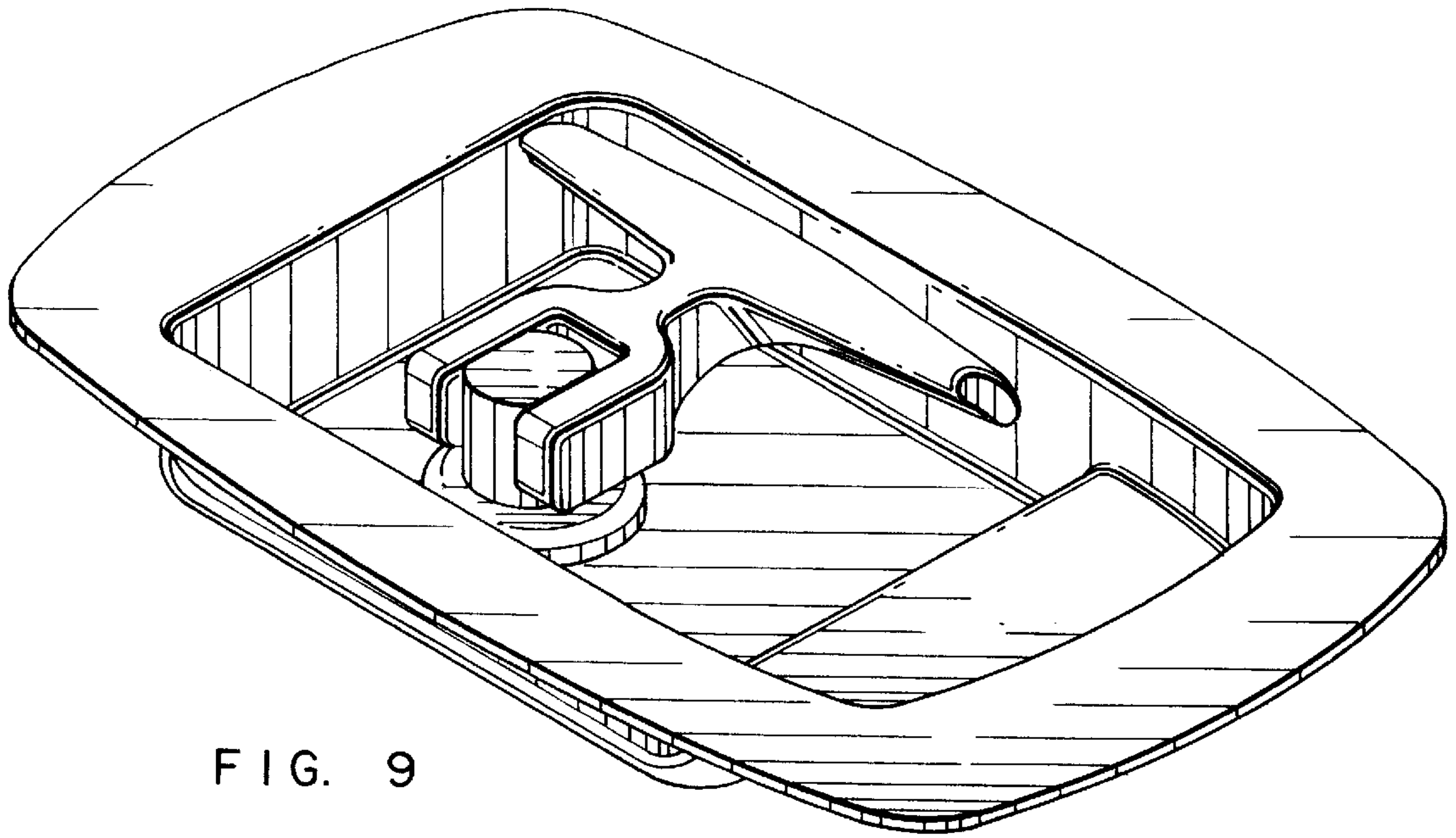


FIG. 9

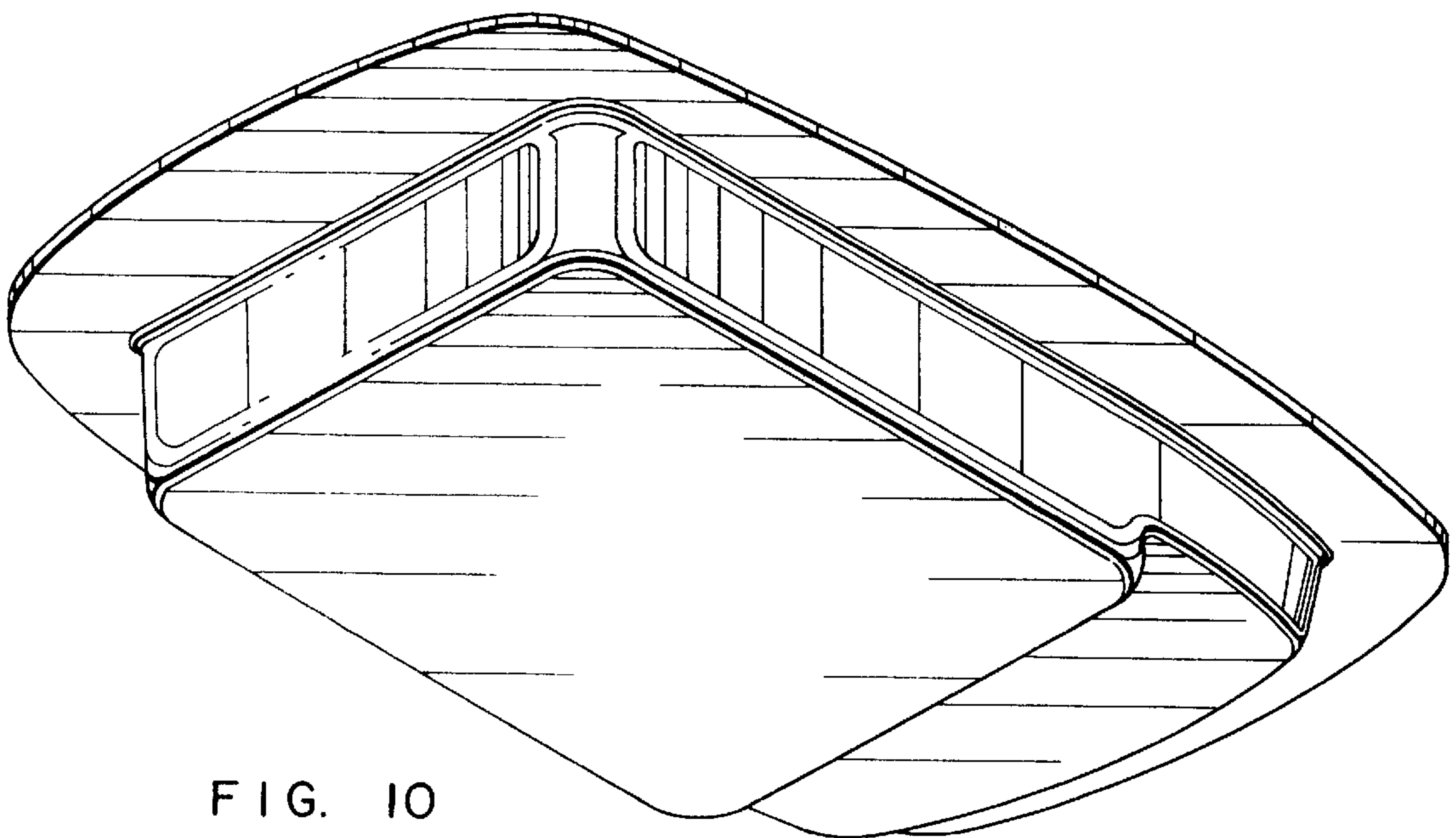


FIG. 10

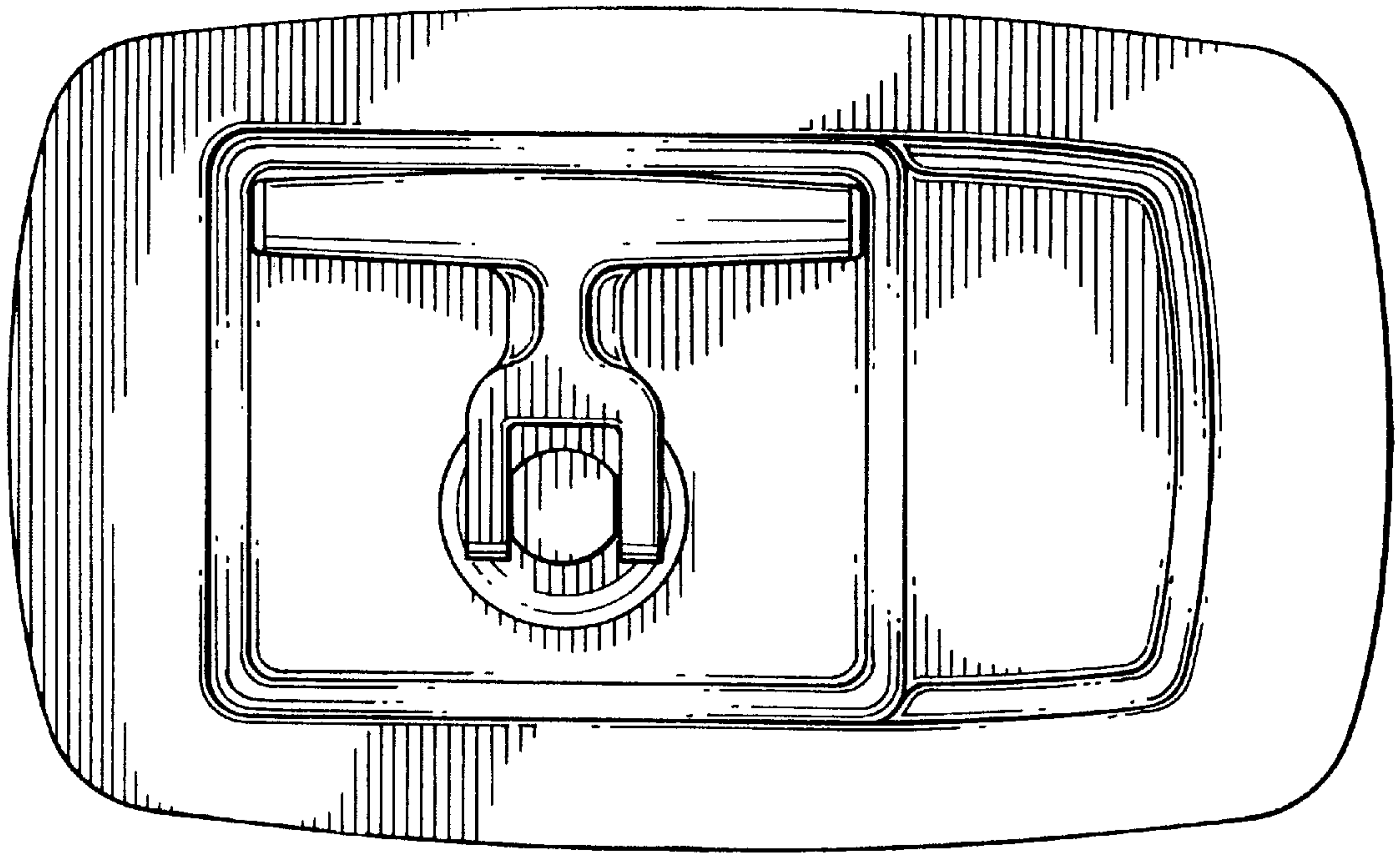


FIG. 11

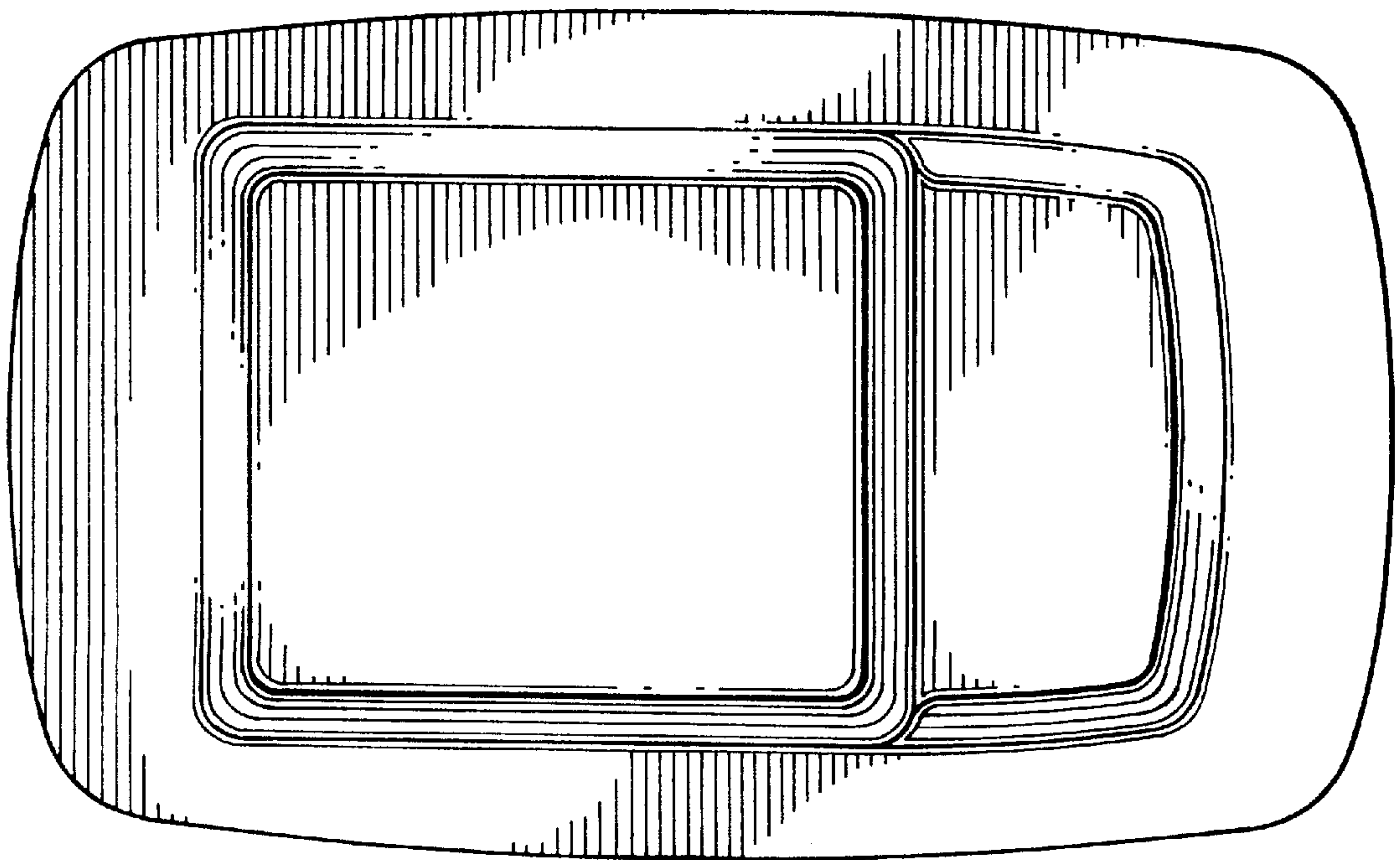


FIG. 12

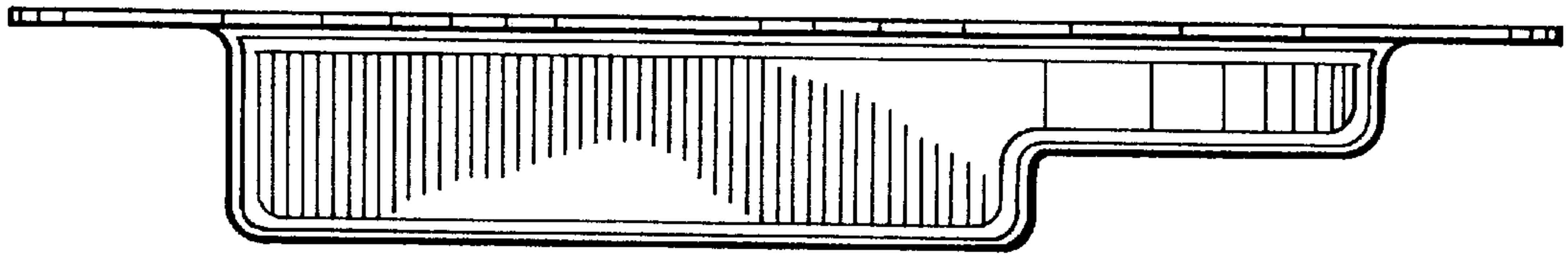


FIG. 13

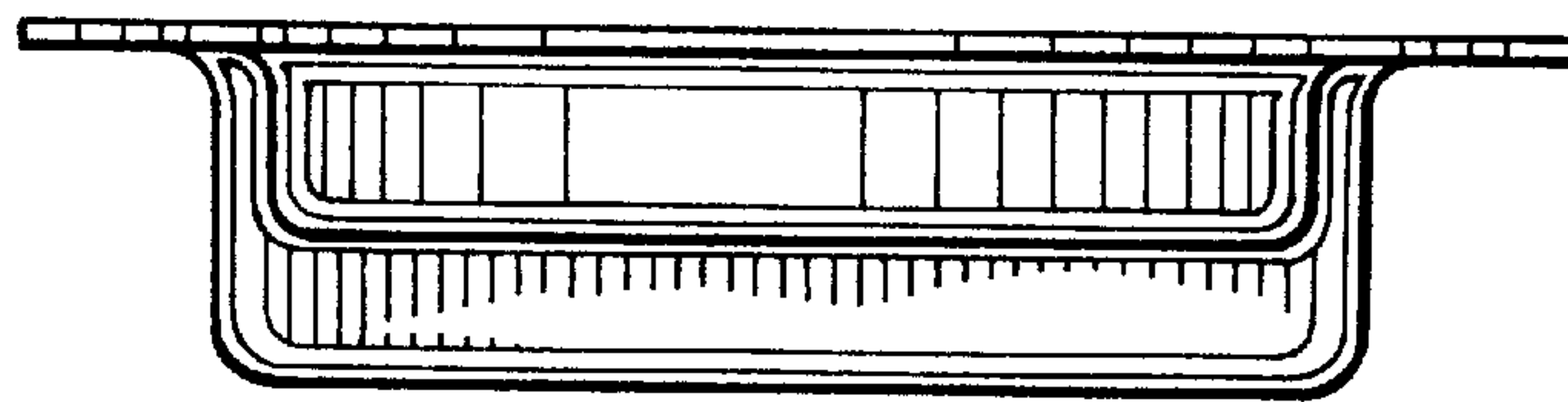


FIG. 14

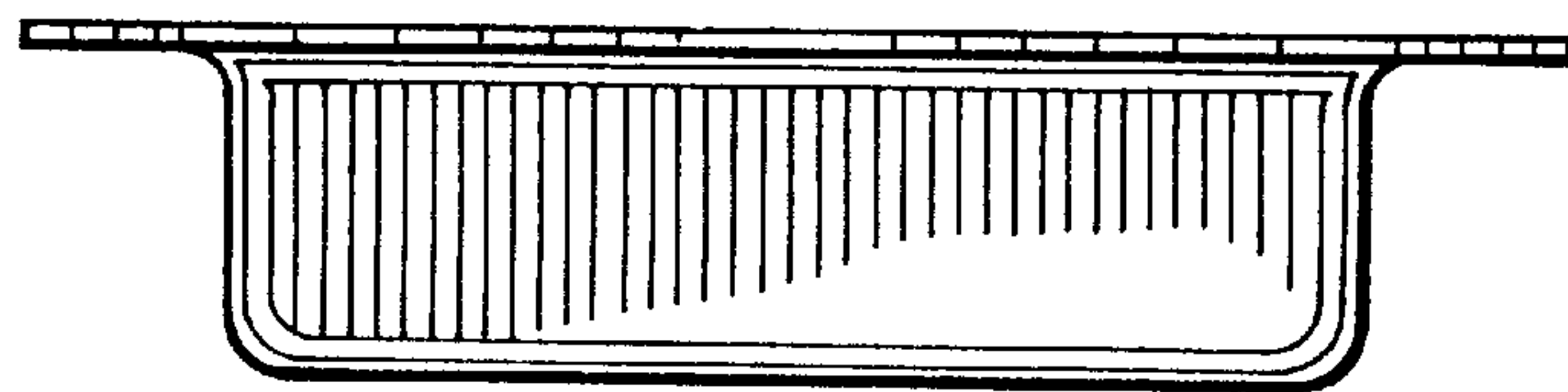


FIG. 15

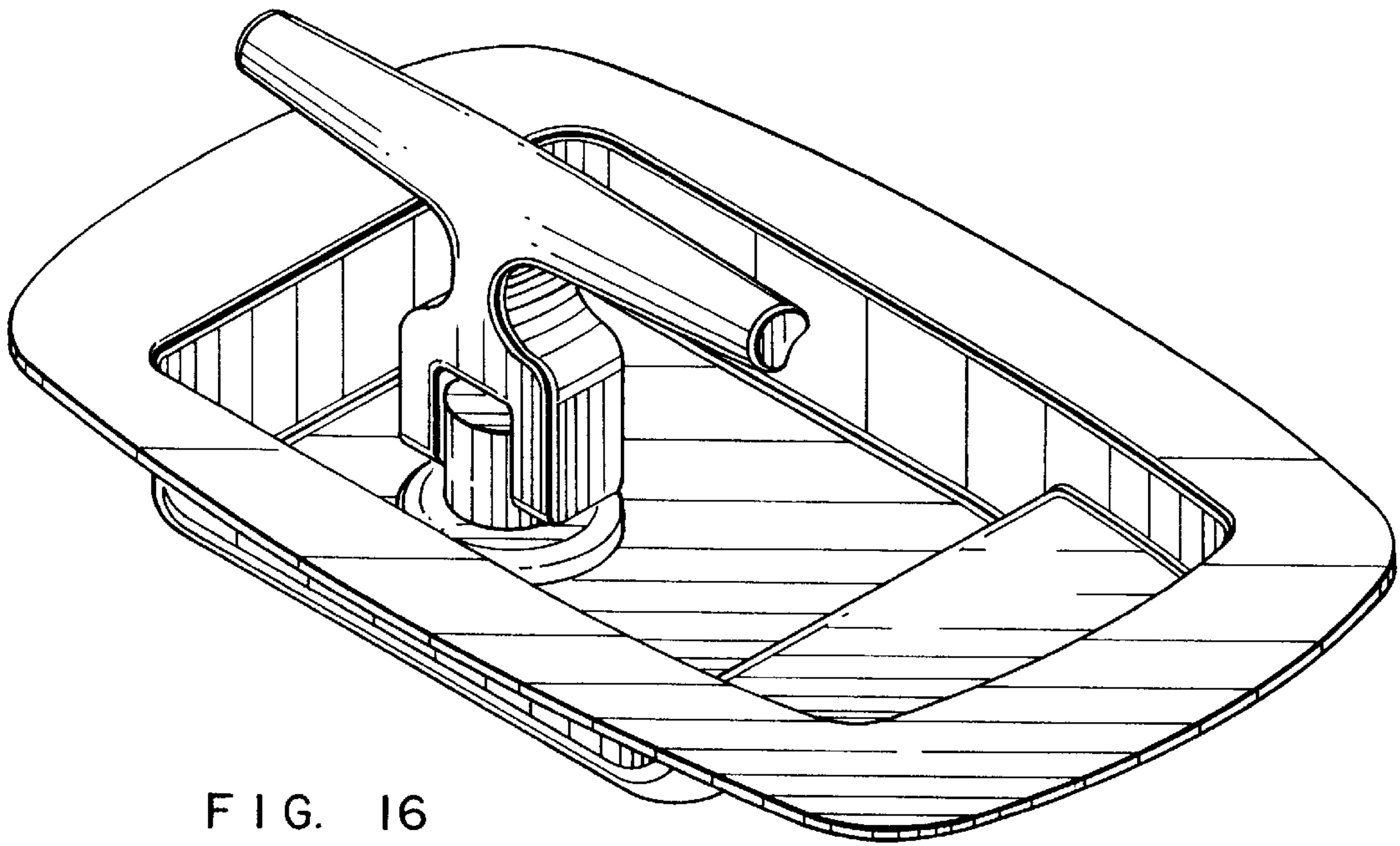


FIG. 16