



US00D465398S

(12) **United States Design Patent**
Linares et al.

(10) **Patent No.:** **US D465,398 S**

(45) **Date of Patent:** **** Nov. 12, 2002**

(54) **FLUSH MOUNT LATCH**

(75) Inventors: **Rodolfo A. Linares**, Whittier, CA (US);
George N. Alvarado, Whittier, CA (US)

(73) Assignee: **S.P.E.P. Acquisitions Corp.**, Carson, CA (US)

(**) Term: **14 Years**

(21) Appl. No.: **29/150,633**

(22) Filed: **Nov. 26, 2001**

(51) **LOC (7) Cl.** **08-06**

(52) **U.S. Cl.** **D8/302; D8/306; D8/307**

(58) **Field of Search** **D8/300-302, 306, D8/338, 341, 307; 70/208; 292/DIG. 46, DIG. 31, 336.3**

(56) **References Cited**

U.S. PATENT DOCUMENTS

3,745,796	A	*	7/1973	Fleming	70/208
3,919,866	A		11/1975	Lipschutz	70/81
4,882,919	A	*	11/1989	Craig	292/DIG. 31
D312,769	S		12/1990	Bisbing	D8/338
D344,881	S		3/1994	Sauerland	D8/331
5,450,735	A		9/1995	Esaki et al.	70/208
5,457,971	A		10/1995	Yamada	70/208
5,556,145	A		9/1996	Takasaki	292/336.3
D396,397	S		7/1998	Swan	D8/331
D411,433	S		6/1999	Swan et al.	D8/306
D421,209	S		2/2000	Buckland	D8/338
6,053,018	A	*	4/2000	Ramsauer	70/208
D425,775	S	*	5/2000	Schlack et al.	D8/331

6,174,007 B1 * 1/2001 Schlack et al. 292/336.3
6,293,130 B1 * 9/2001 Ramsauer 70/208

* cited by examiner

Primary Examiner—B. J. Bullock

(74) *Attorney, Agent, or Firm*—Cislo & Thomas LLP

(57) **CLAIM**

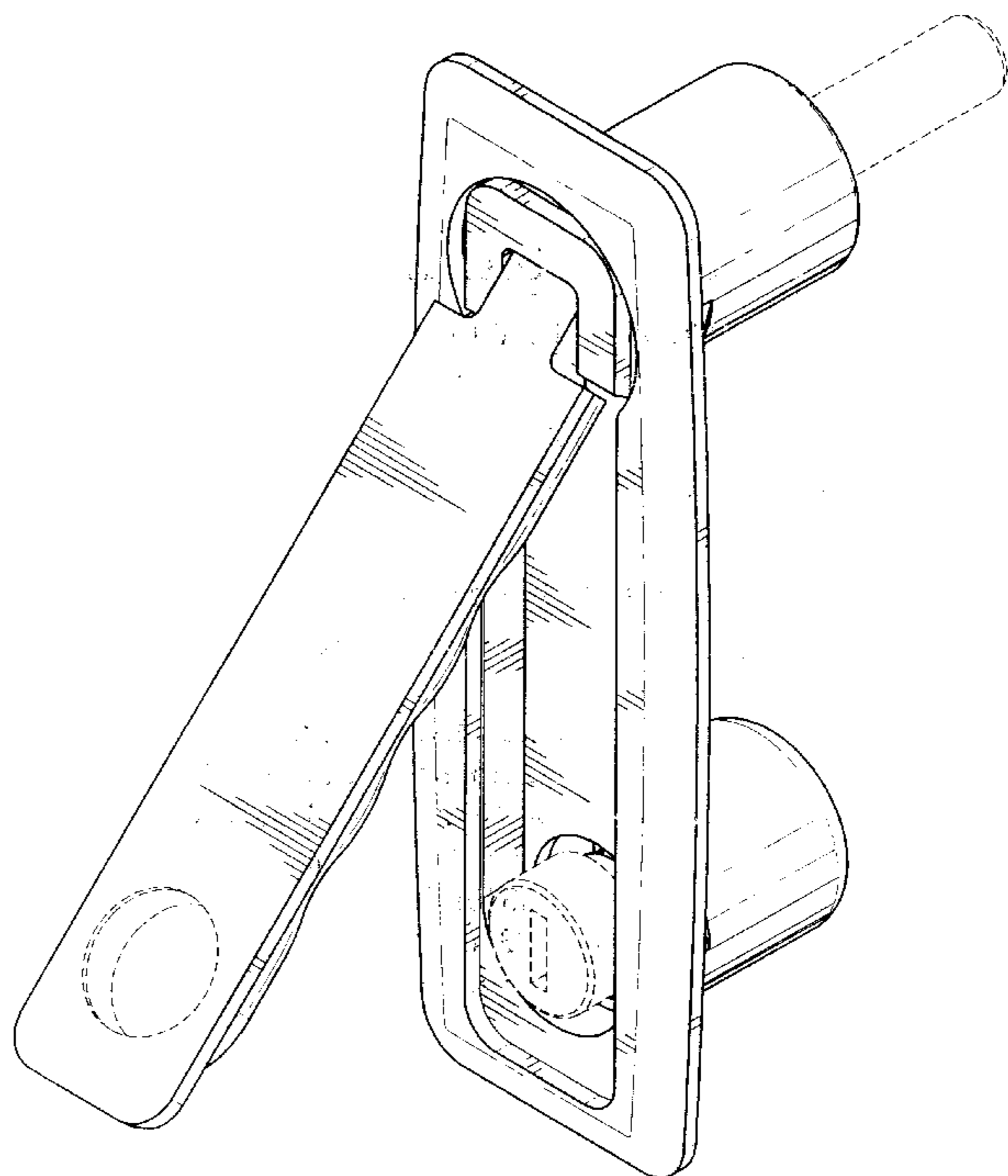
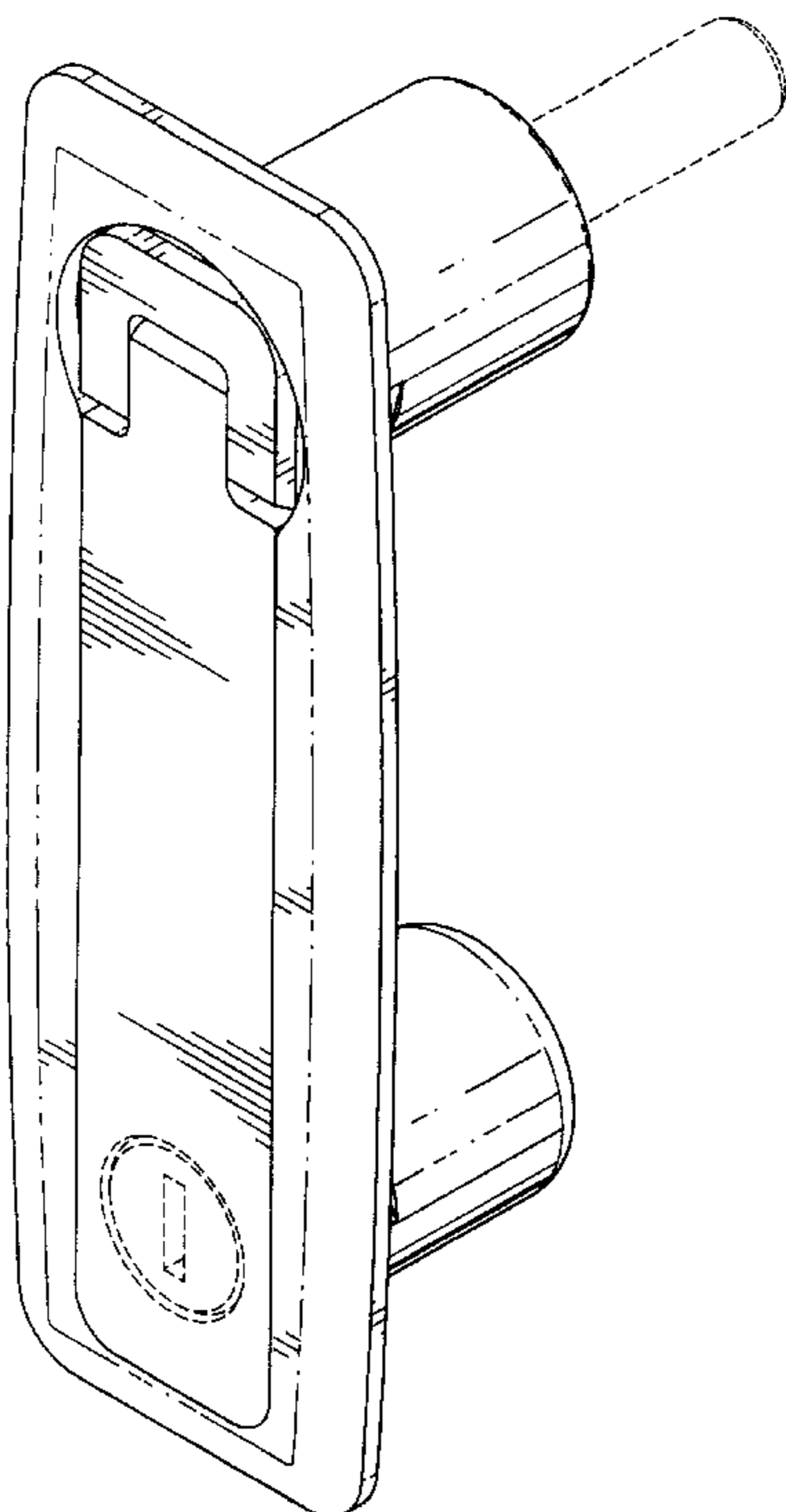
The ornamental design for a flush mount latch, as shown and described.

DESCRIPTION

FIG. 1 is a perspective view of one embodiment the flush mount latch design;
 FIG. 2 is a front view thereof;
 FIG. 3 is a rear view thereof;
 FIG. 4 is a left side elevational view thereof, the right side view thereof being substantially symmetrical hereto;
 FIG. 5 is a top view thereof;
 FIG. 6 is a bottom view thereof;
 FIG. 7 is a perspective view of the flush mount latch design with handle extended;
 FIG. 8 is a front view of an alternative embodiment of the flush mount latch design;
 FIG. 9 is a rear view thereof;
 FIG. 10 is a left side elevational view thereof, the right side view thereof being substantially symmetrical hereto;
 FIG. 11 is a top view thereof; and,
 FIG. 12 is a bottom view thereof.

The broken lines shown in the above-mentioned drawings are for illustrative purposes only and are not intended to form part of the claimed design.

1 Claim, 6 Drawing Sheets



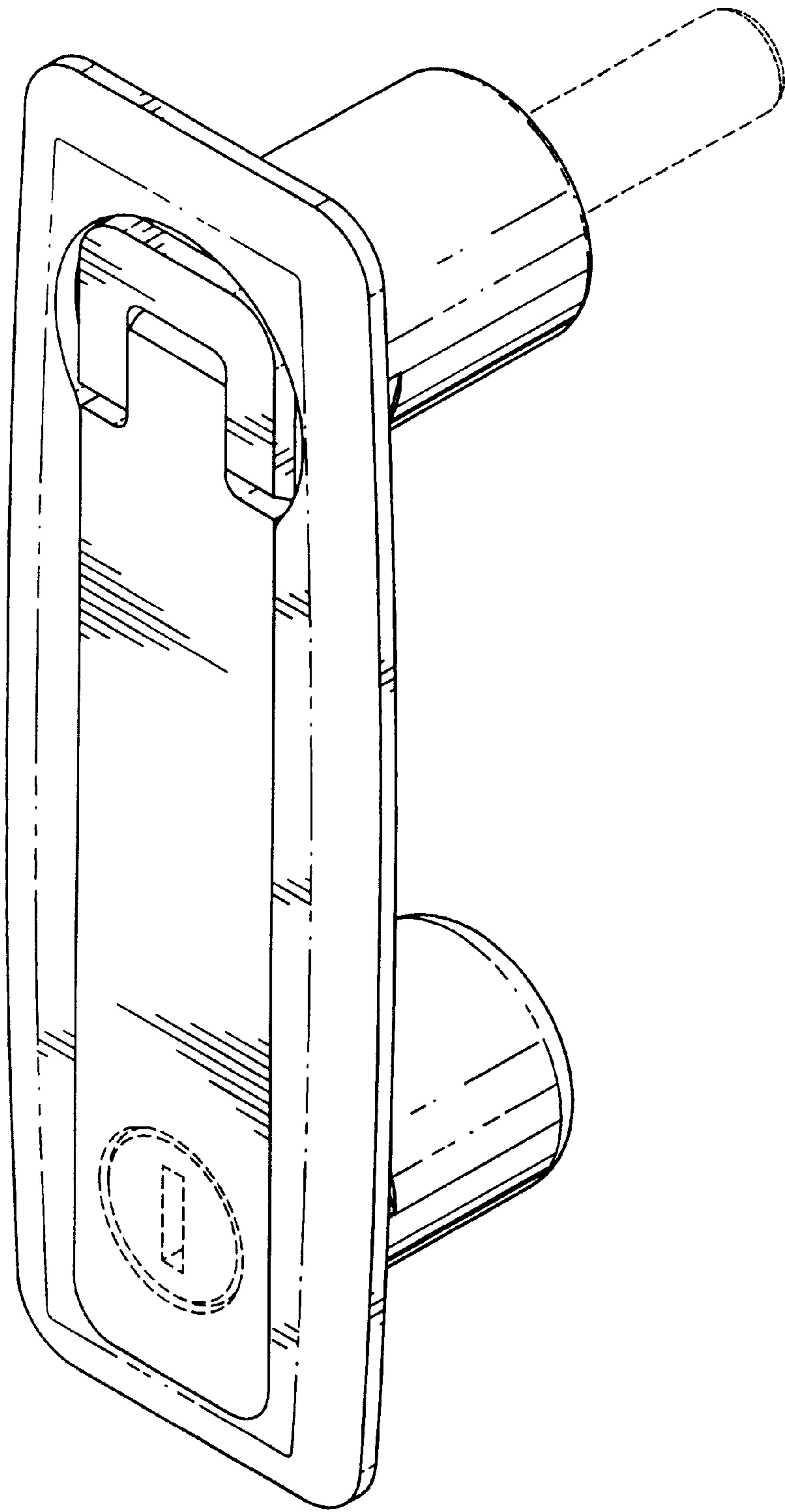


FIG. 1

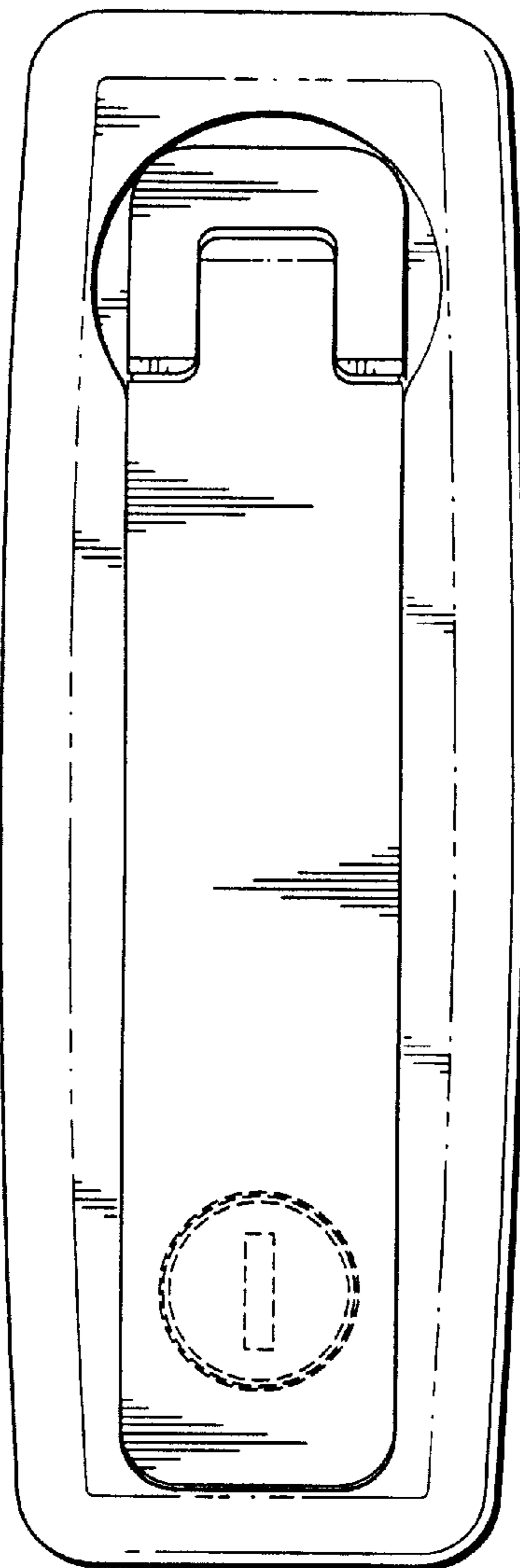


FIG. 2

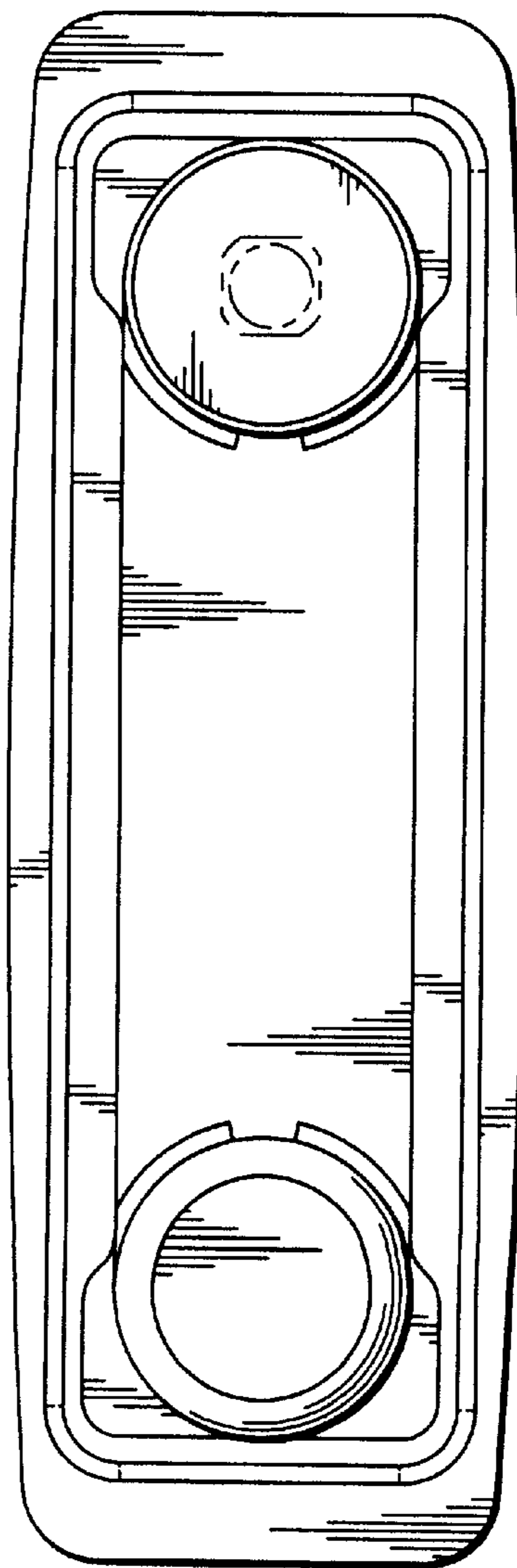


FIG. 3

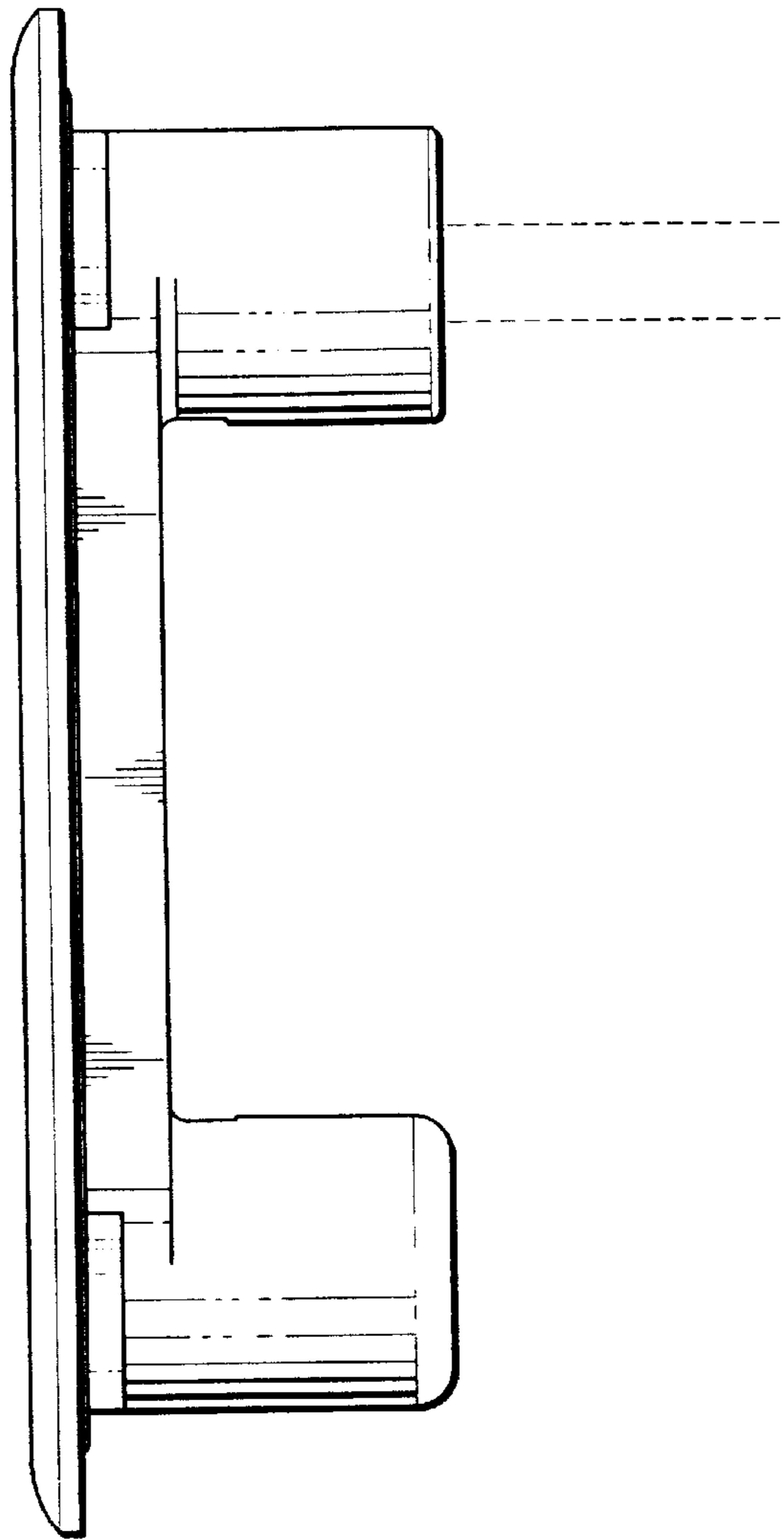


FIG. 4

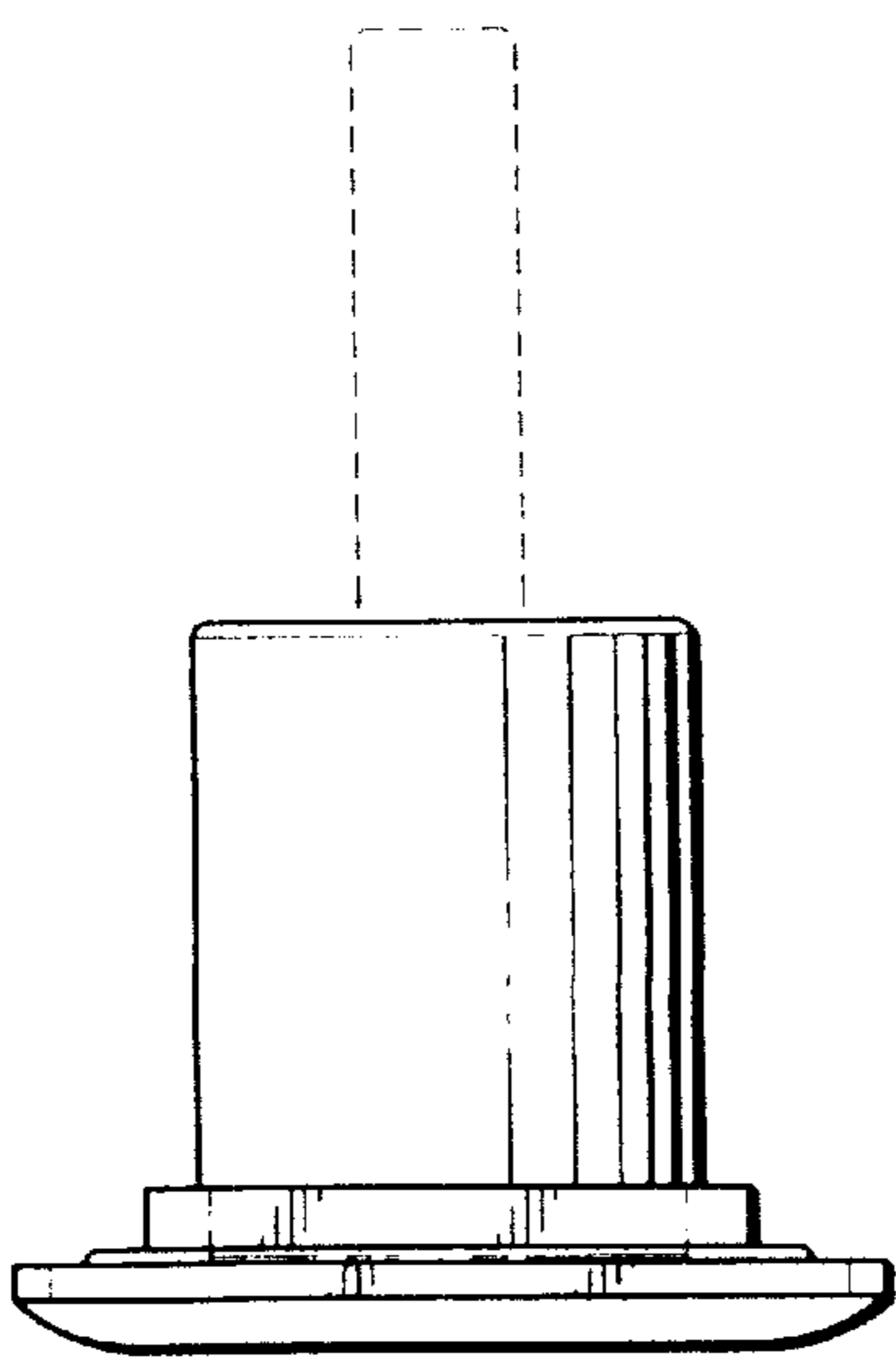


FIG. 5

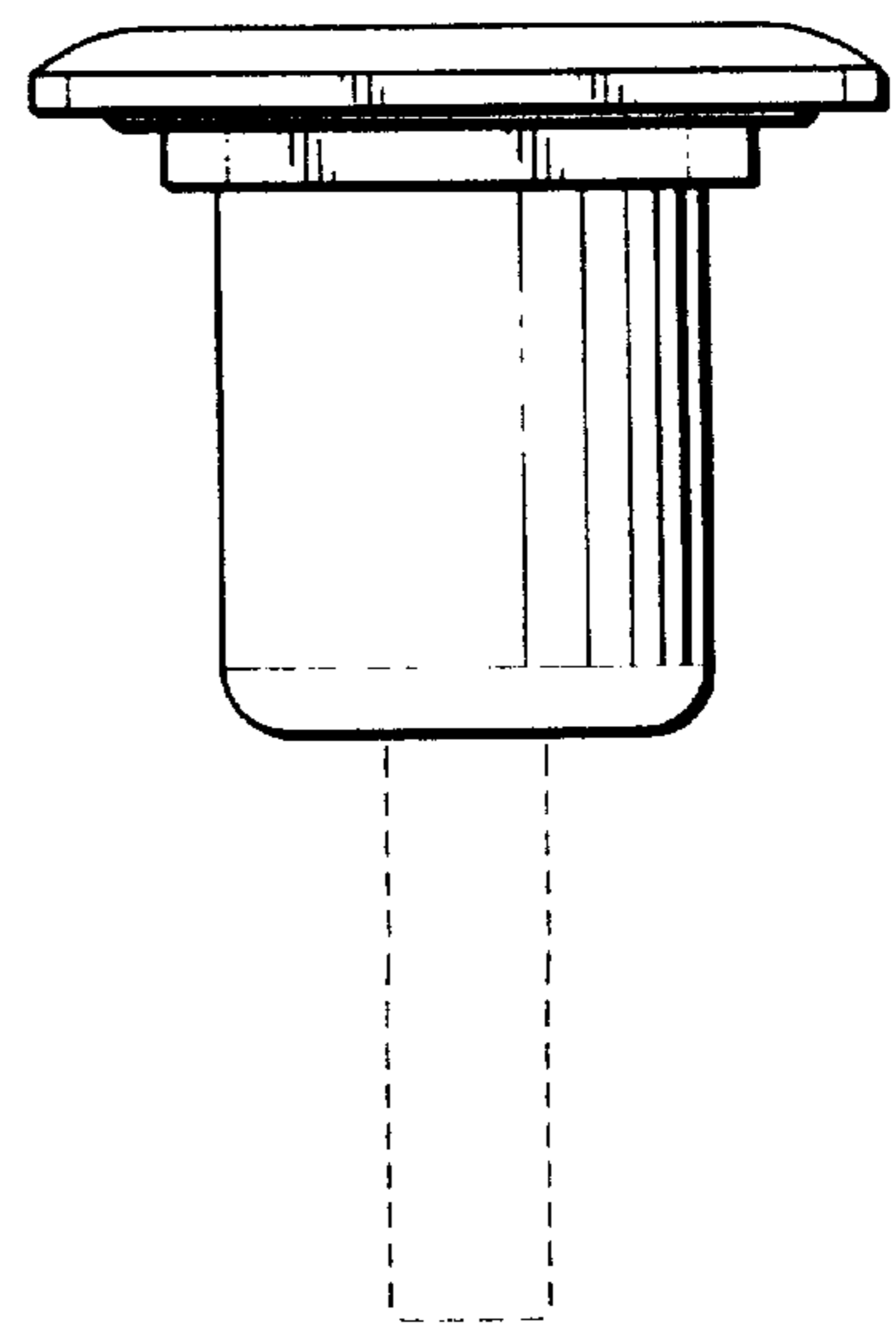


FIG. 6

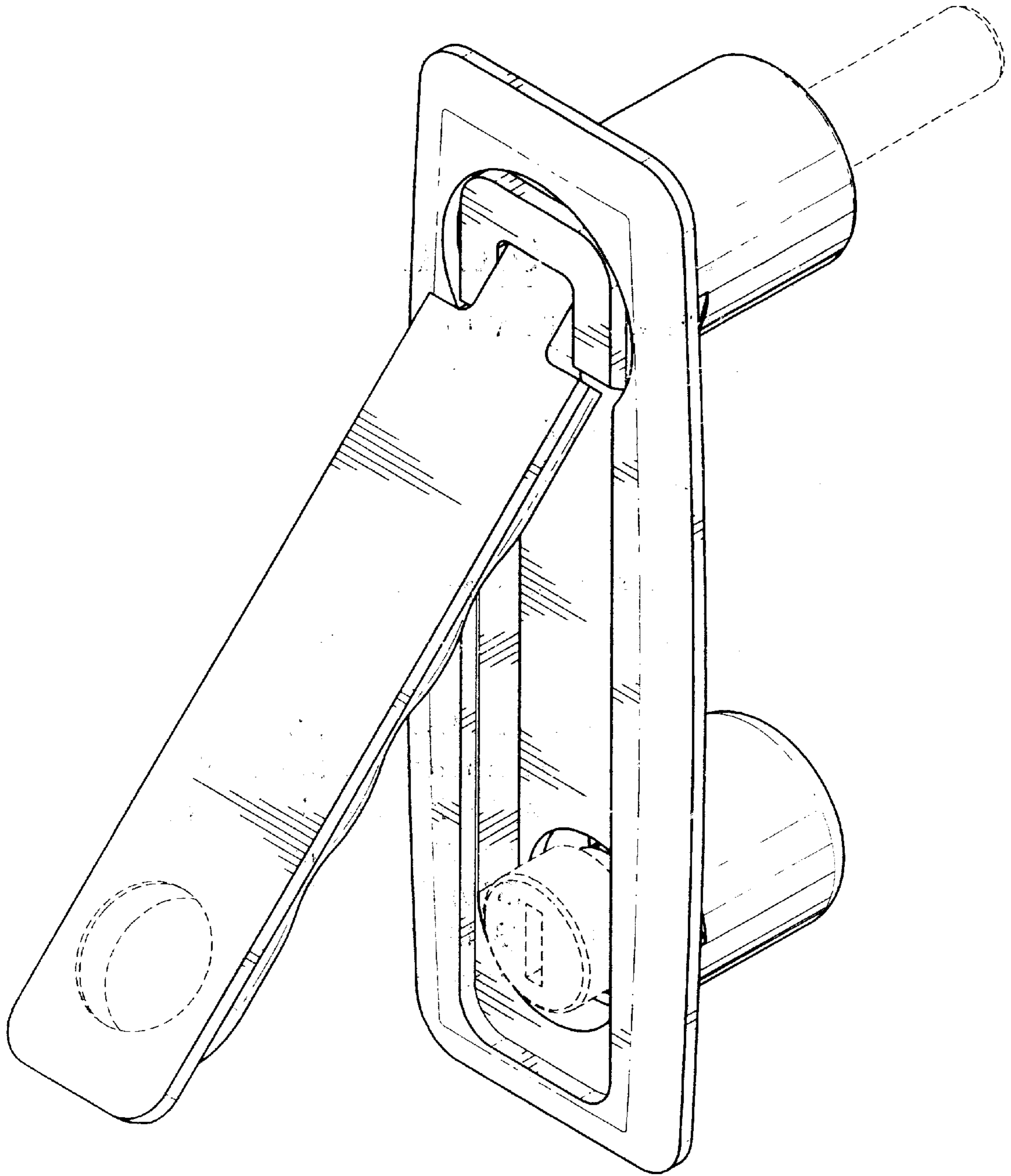


FIG. 7

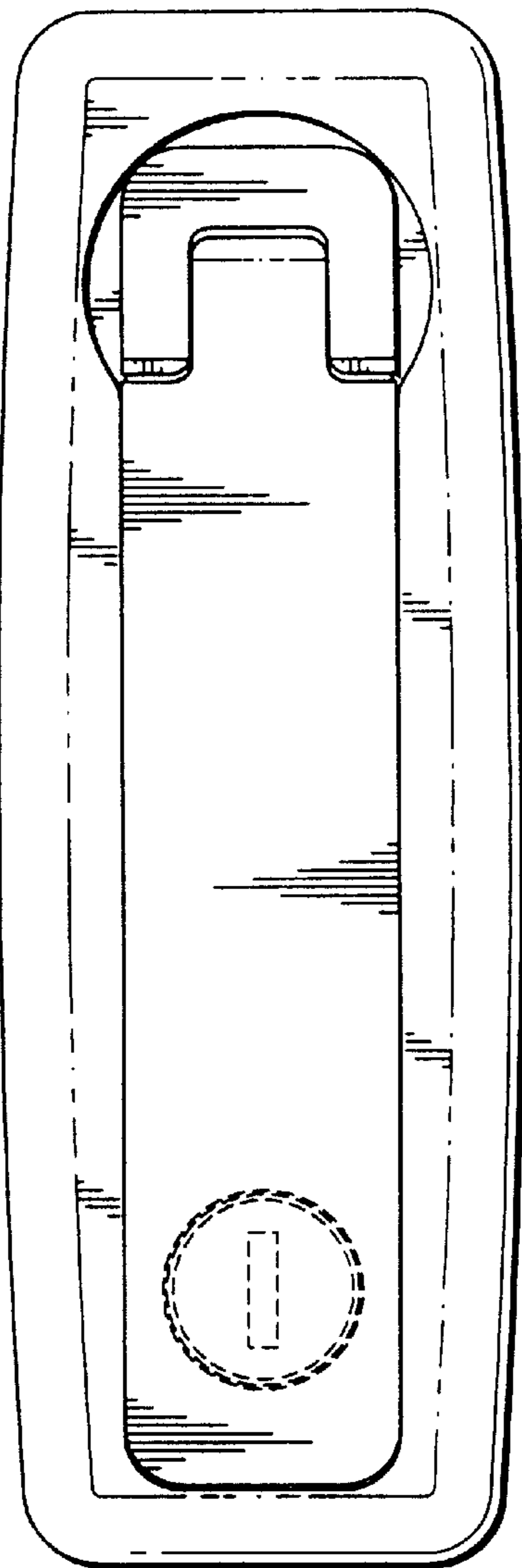


FIG. 8

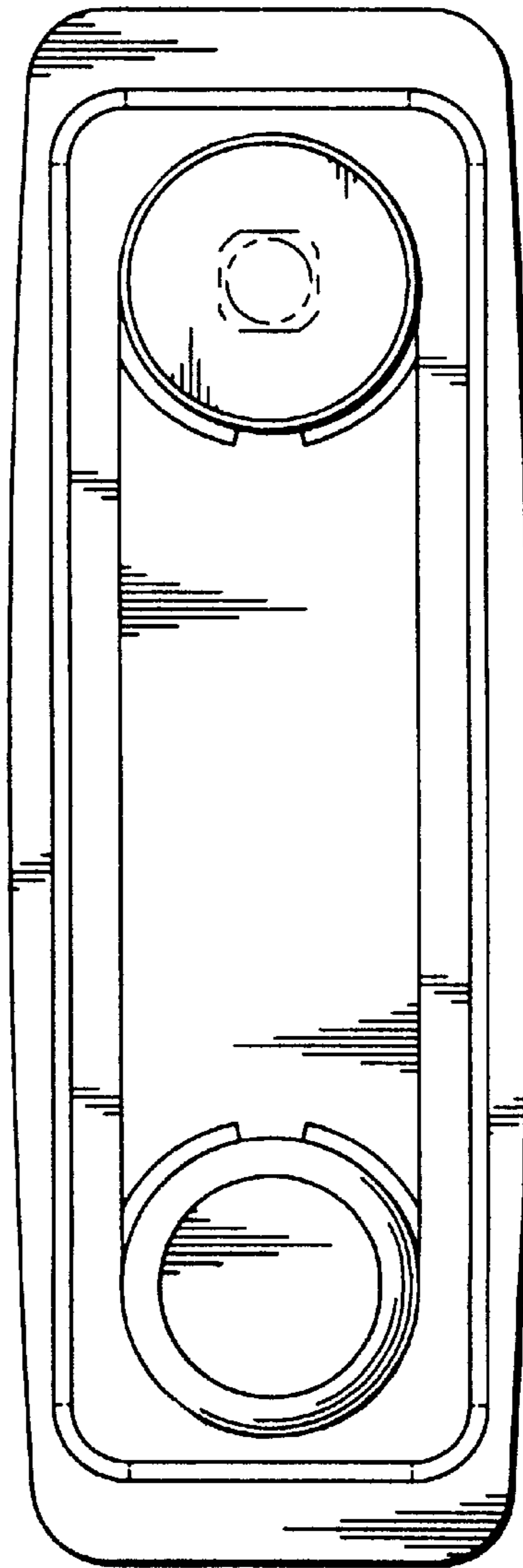


FIG. 9

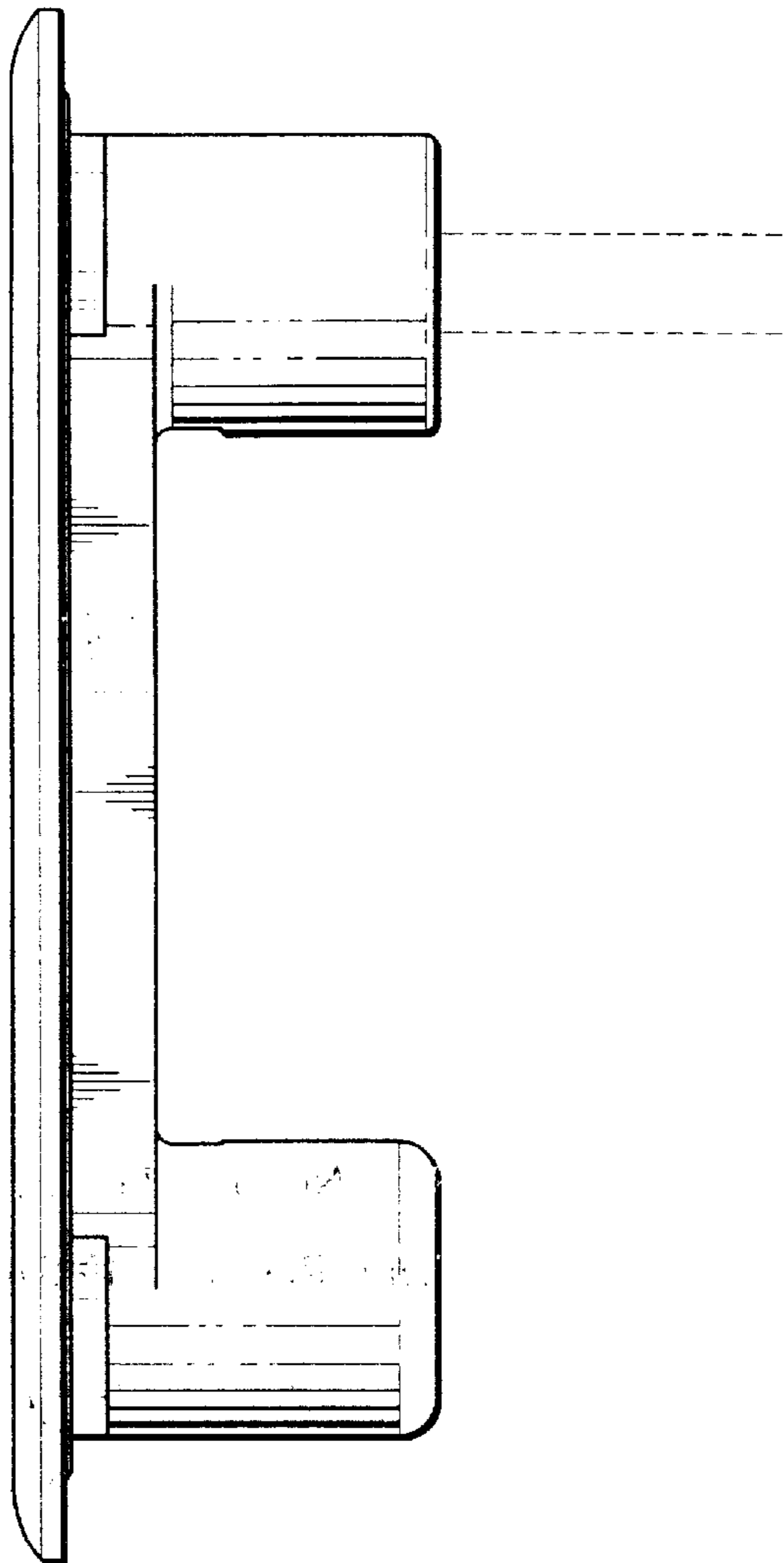


FIG. 10

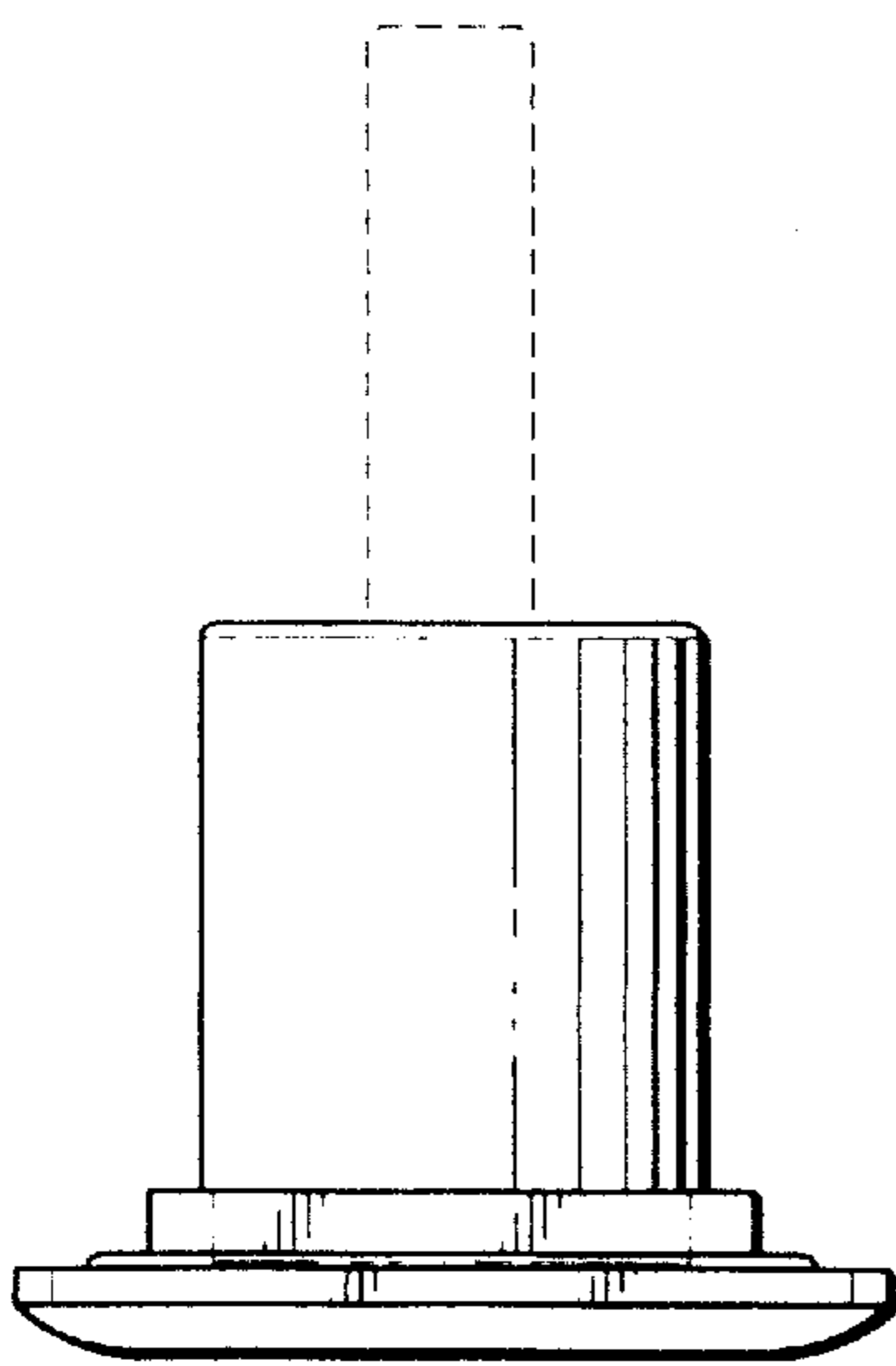


FIG. 11

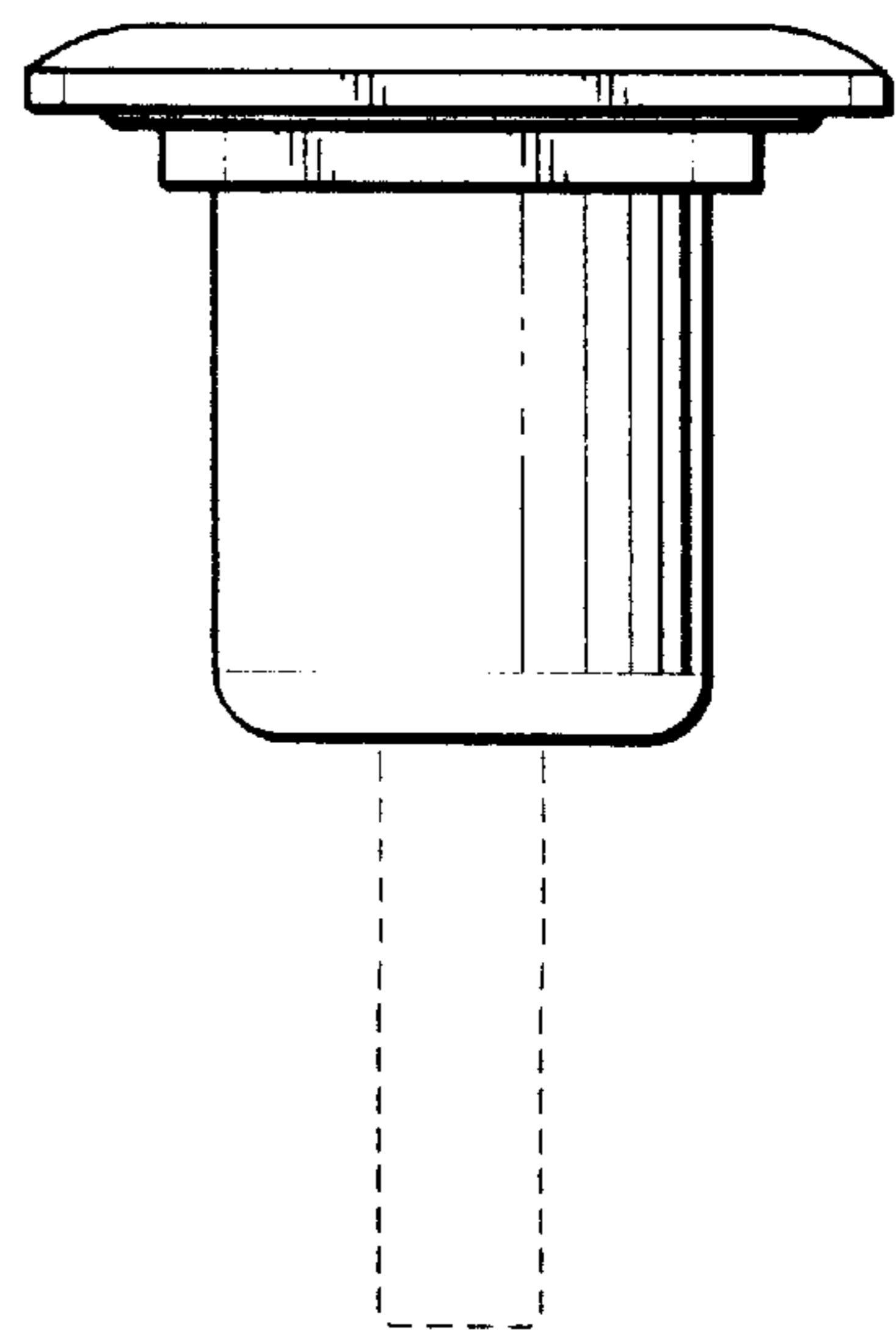


FIG. 12