



US00D465396S

(12) **United States Design Patent**
Song

(10) **Patent No.:** **US D465,396 S**

(45) **Date of Patent:** **** Nov. 12, 2002**

(54) **SHORT SWIVEL SCREWDRIVER**

(76) **Inventor:** **In Wha Song**, 2100 W. Commonwealth Ave. #123, Fullerton, CA (US) 92833-3019

(**) **Term:** **14 Years**

(21) **Appl. No.:** **29/131,127**

(22) **Filed:** **Oct. 16, 2000**

(51) **LOC (7) Cl.** **08-04**

(52) **U.S. Cl.** **D8/82**

(58) **Field of Search** D3/82, 83, 84, D3/85, 86, 87; 81/436, 437, 177.1, 177.2; 7/165; 411/352

(56) **References Cited**

U.S. PATENT DOCUMENTS

D271,937 S * 12/1983 Combs 16/421
D287,456 S * 12/1986 Kobos D8/14

D309,089 S * 7/1990 Tsuji D8/82
D325,692 S * 4/1992 Johnson D8/83
5,518,440 A * 5/1996 Bone 451/342
D402,522 S * 12/1998 Gillman D8/107
D417,827 S * 12/1999 Gillman D8/14

* cited by examiner

Primary Examiner—Philip S. Hyder

(57) **CLAIM**

The ornamental design for a short swivel screwdriver, as shown and described.

DESCRIPTION

FIG. 1 is a perspective view of a swivel bottom provided short screwdriver showing my present invention; FIG. 2 is a side elevational view of FIG. 1; FIG. 3 is a top plan view of FIG. 1; and, FIG. 4 is a bottom plan view of FIG. 1.

1 Claim, 1 Drawing Sheet

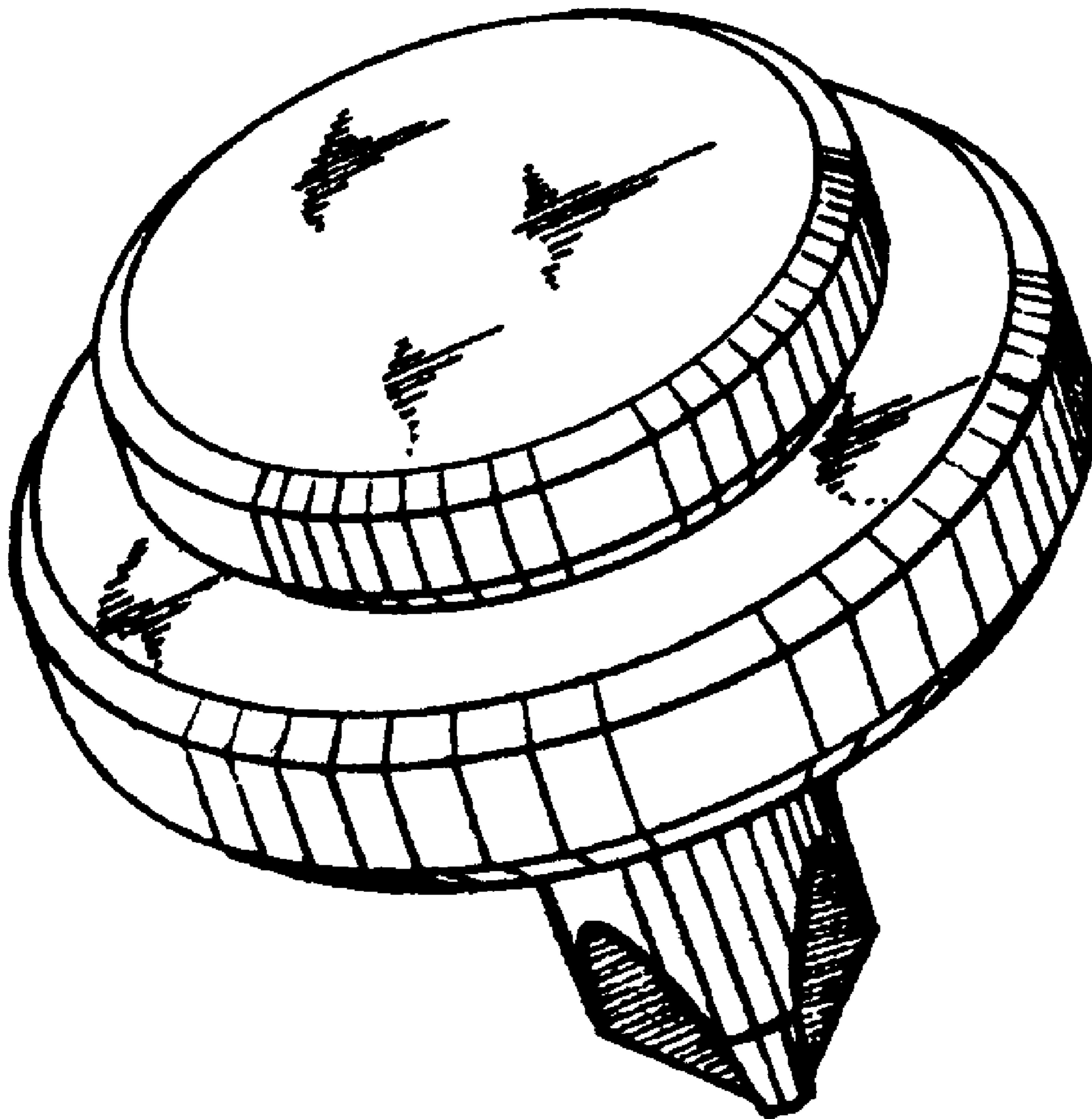


FIG. 1

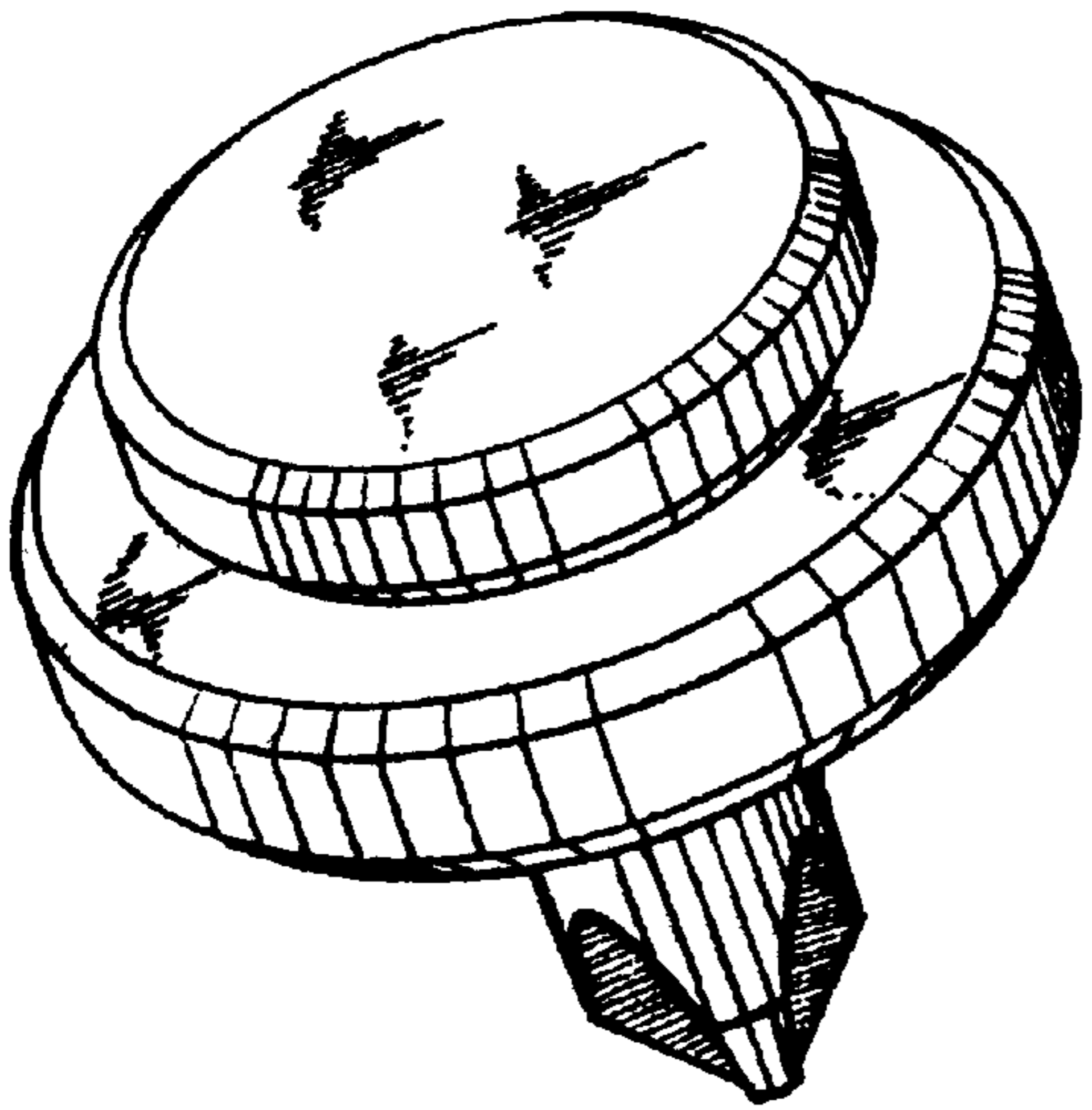


FIG. 3

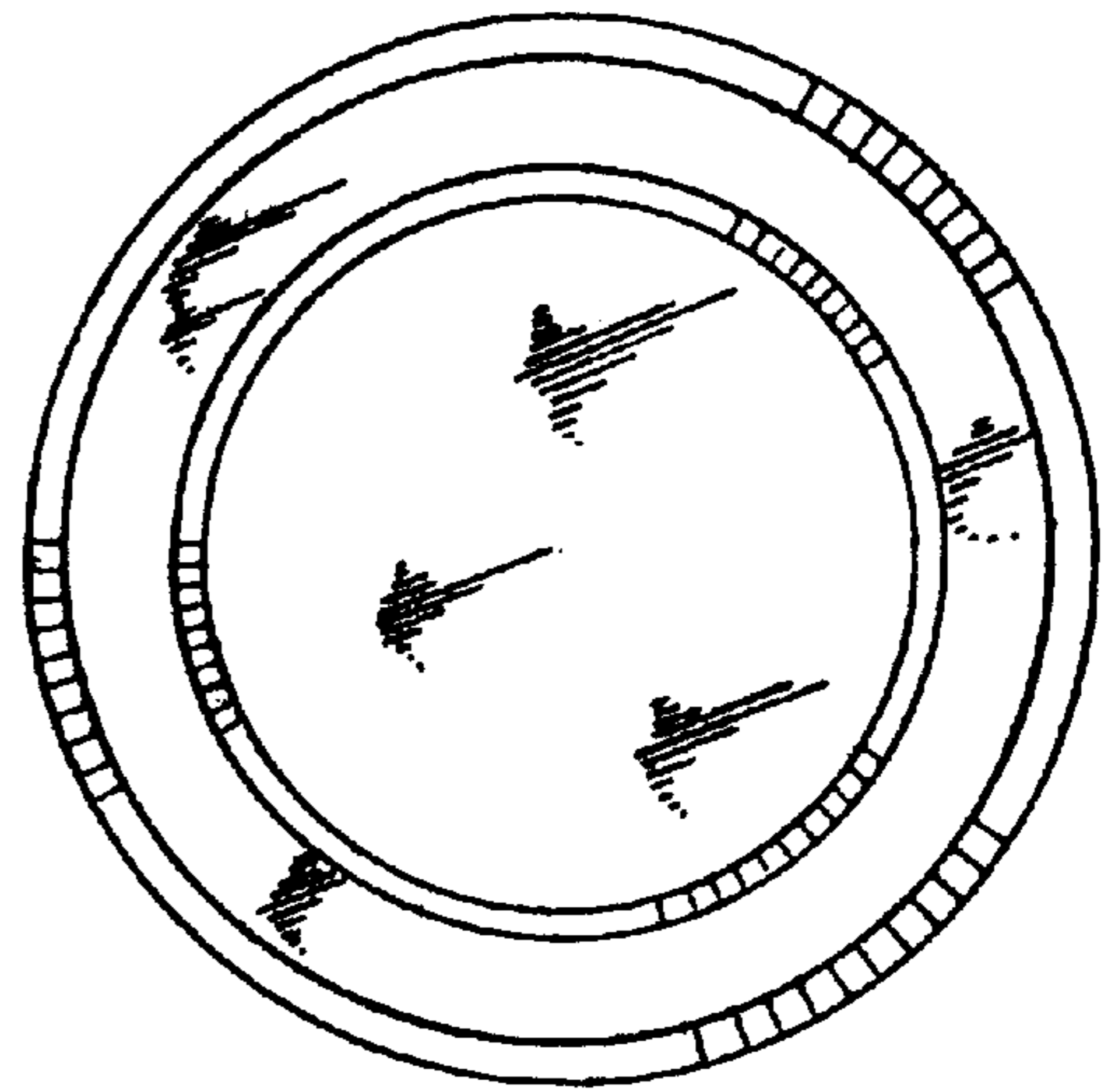


FIG. 2

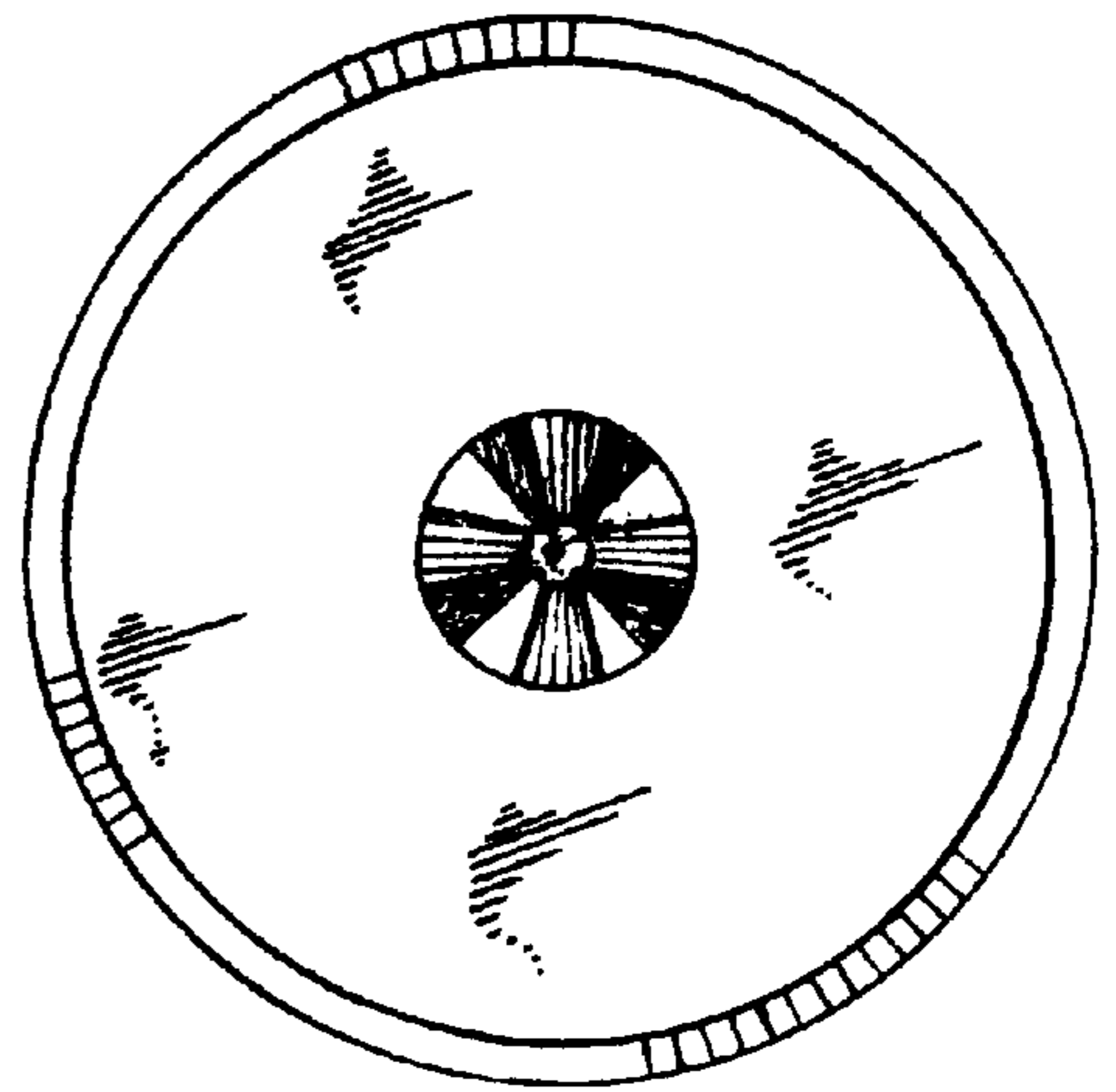
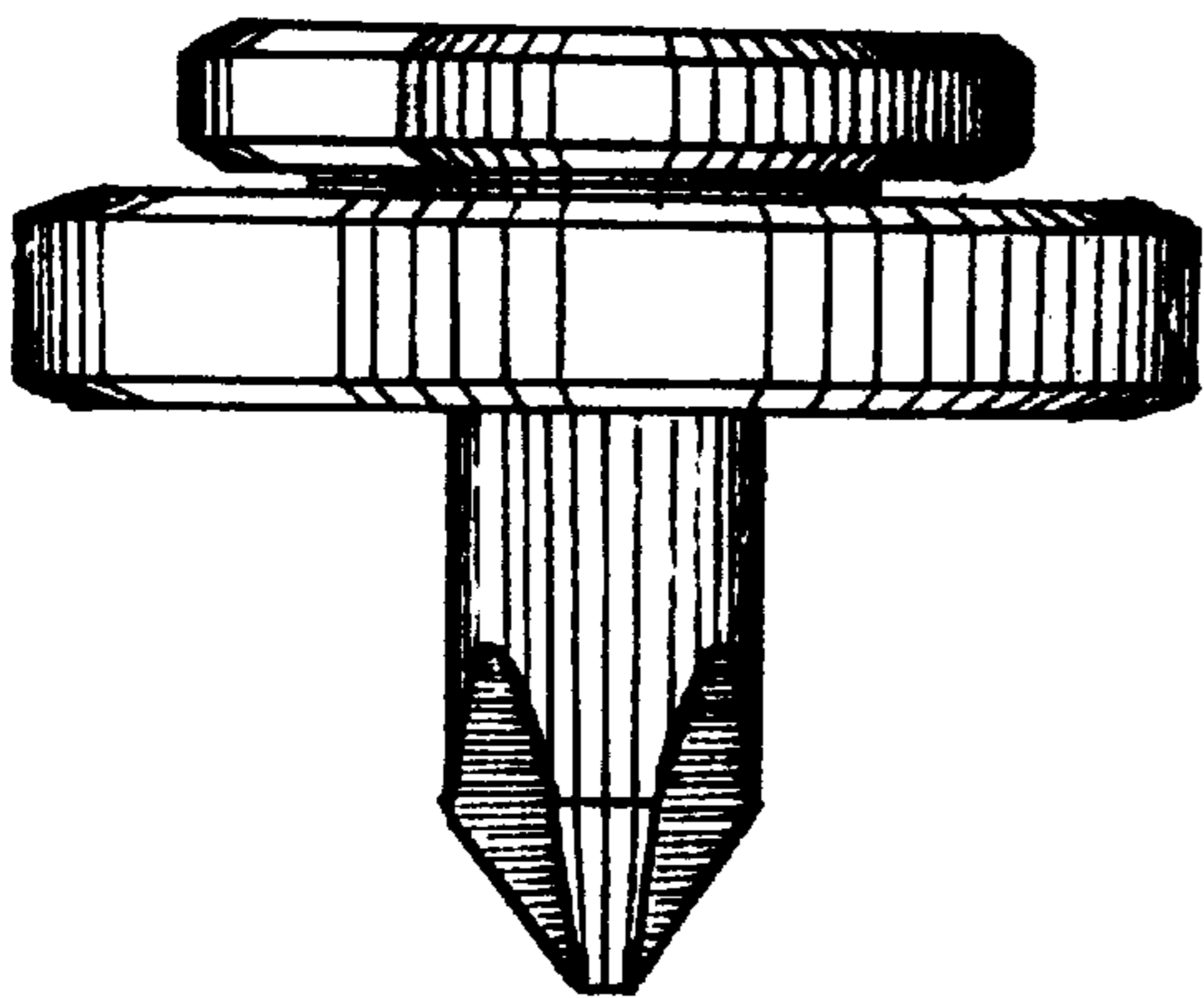


FIG. 4