



US00D465394S

(12) **United States Design Patent**
Junkers

(10) **Patent No.:** **US D465,394 S**

(45) **Date of Patent:** **** Nov. 12, 2002**

(54) **FLUID OPERATED WRENCH**

(76) **Inventor:** **John Junkers**, 8 Stonewall Rd., Saddle River, NJ (US) 07458

(**) **Term:** **14 Years**

(21) **Appl. No.:** **29/150,602**

(22) **Filed:** **Nov. 6, 2001**

(51) **LOC (7) Cl.** **08-05**

(52) **U.S. Cl.** **D8/61**

(58) **Field of Search** D8/21, 61; 81/54,
81/57.4, 57.39, 57.42, 57.44; 92/106, 163,
181 R

(56) **References Cited**

U.S. PATENT DOCUMENTS

4,619,160 A	*	10/1986	Meyer	81/57.39
4,706,527 A	*	11/1987	Junkers	81/57.39
4,805,496 A	*	2/1989	Wagner et al.	81/57.39
4,825,730 A	*	5/1989	Junkers	81/57.39
5,103,696 A	*	4/1992	Beuke	81/57.39

RE33,951 E	*	6/1992	Junkers	81/57.39
5,357,828 A	*	10/1994	Spirer	81/57.39
5,924,340 A	*	7/1999	Junkers	81/57.39
6,279,427 B1	*	8/2001	Francis	81/57.39

* cited by examiner

Primary Examiner—Doris V. Coles

Assistant Examiner—Elizabeth A. Albert

(74) *Attorney, Agent, or Firm*—Michael J. Striker

(57) **CLAIM**

I claim the ornamental design for a fluid operated wrench, as shown and described.

DESCRIPTION

FIG. 1 is a front perspective view of a fluid operated wrench showing my new design;

FIG. 2 is a top view thereof;

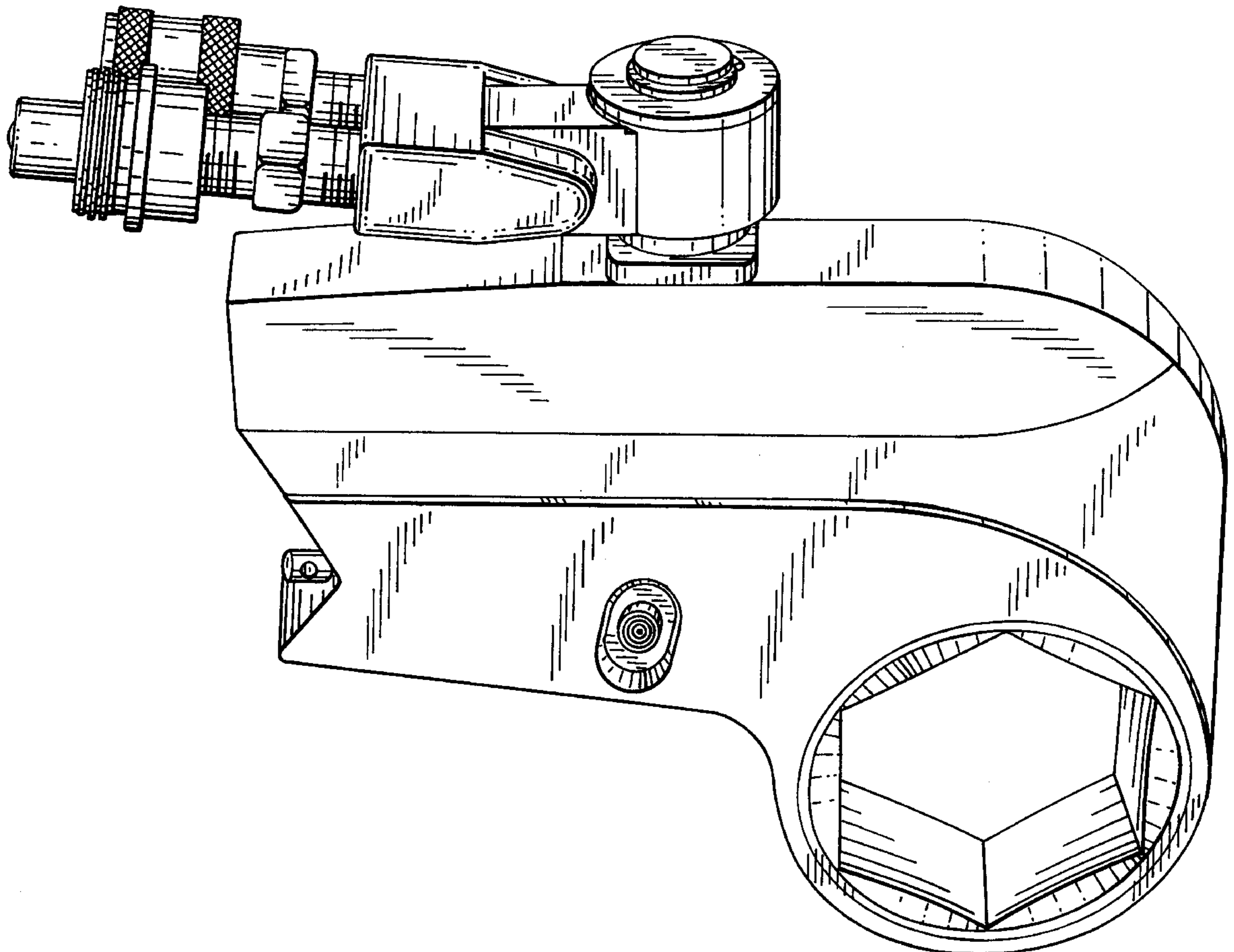
FIG. 3 is a side view thereof;

FIG. 4 is a rear perspective view thereof;

FIG. 5 is a side view thereof; and,

FIG. 6 is a bottom view thereof.

1 Claim, 6 Drawing Sheets



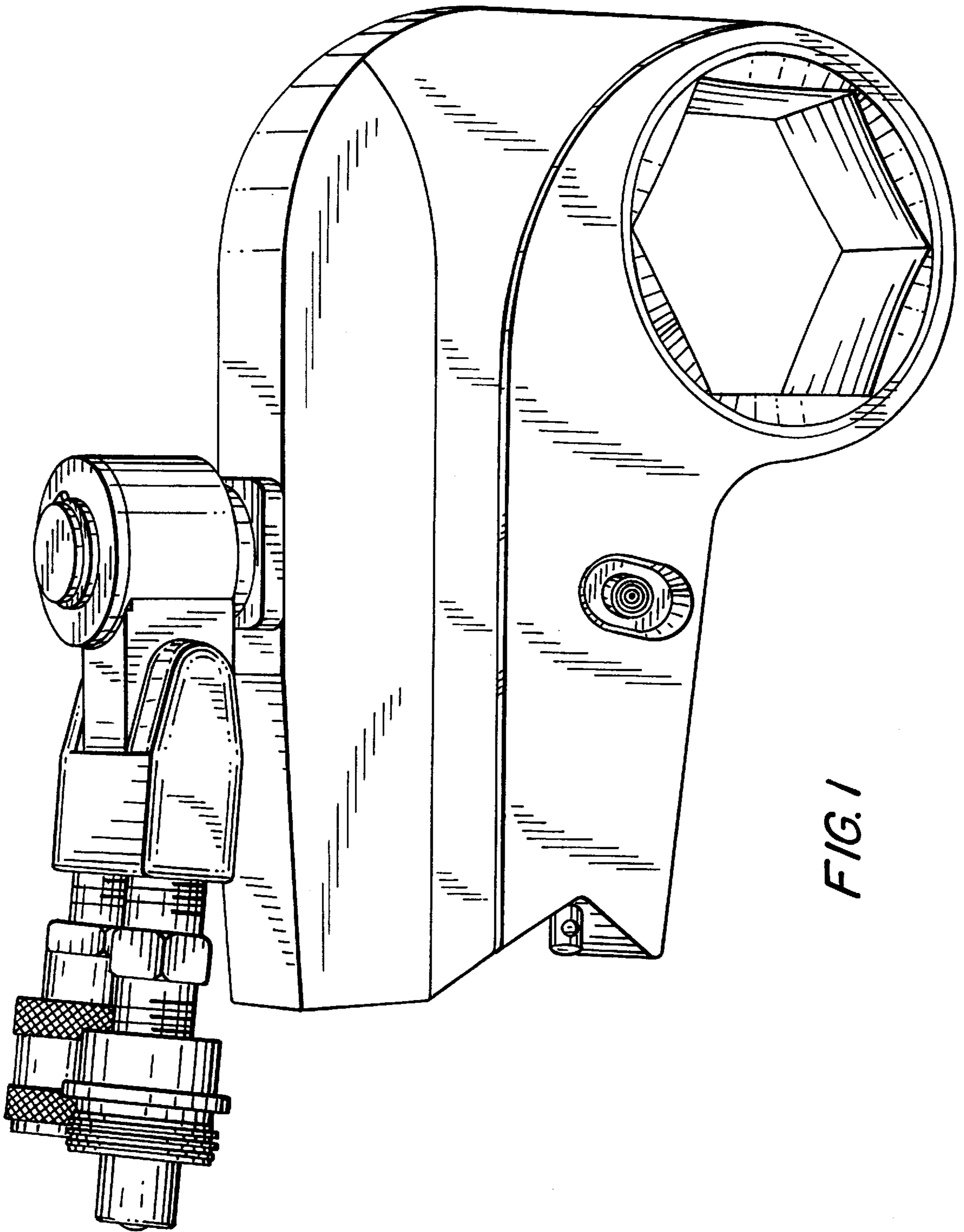


FIG. 1

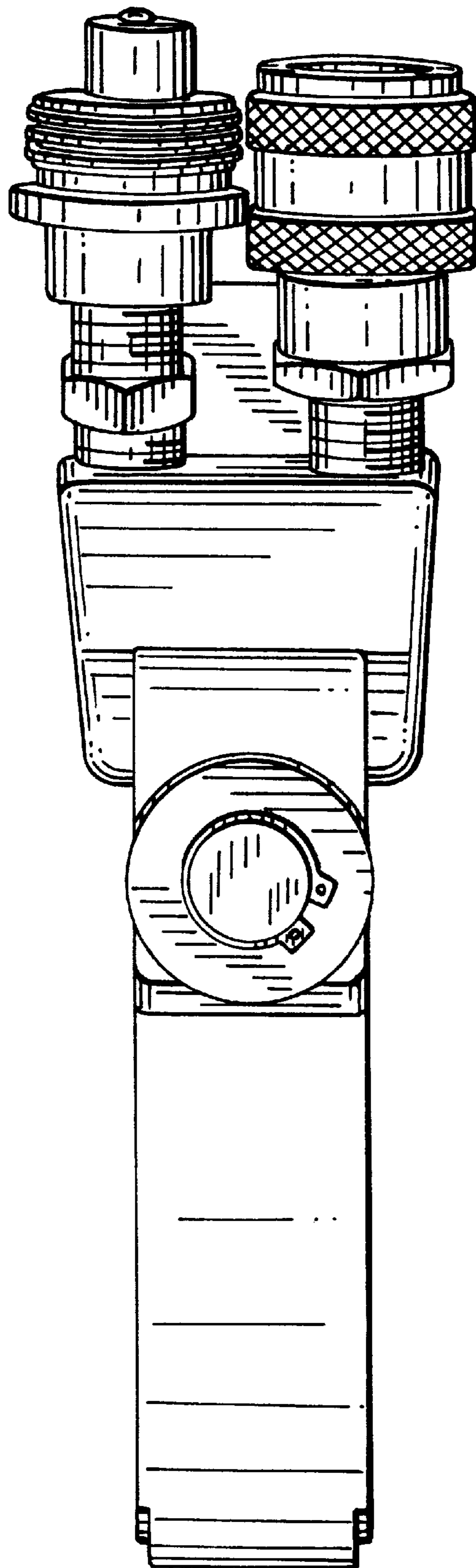
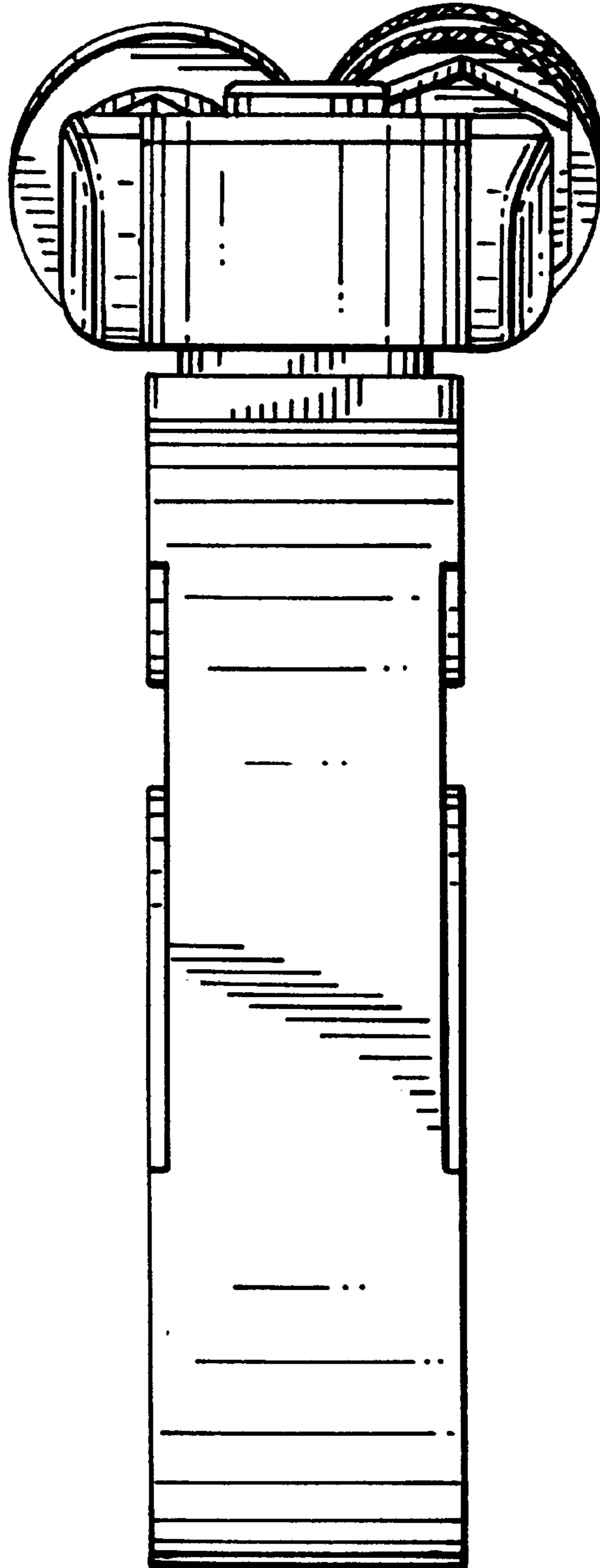


FIG. 2

FIG. 3



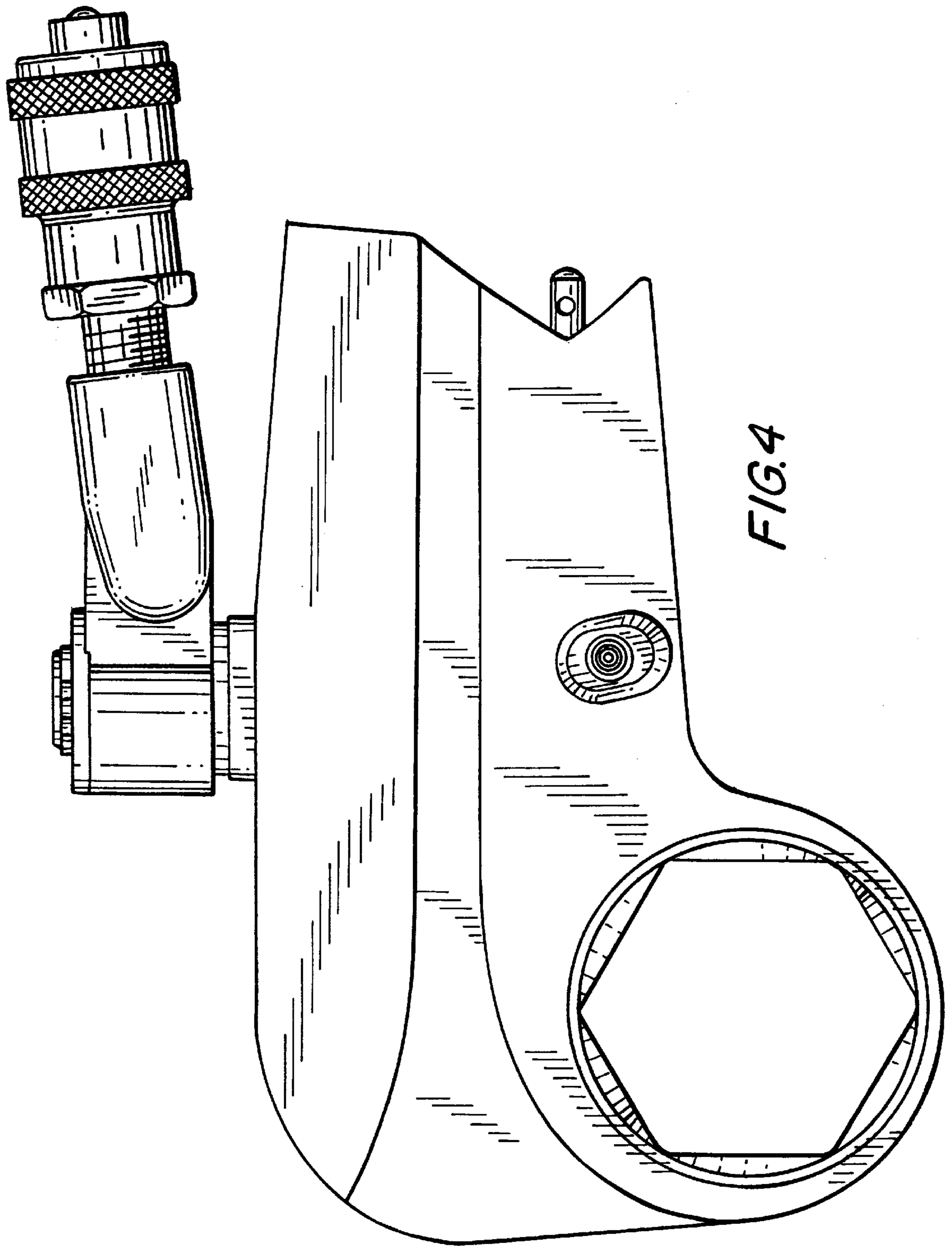
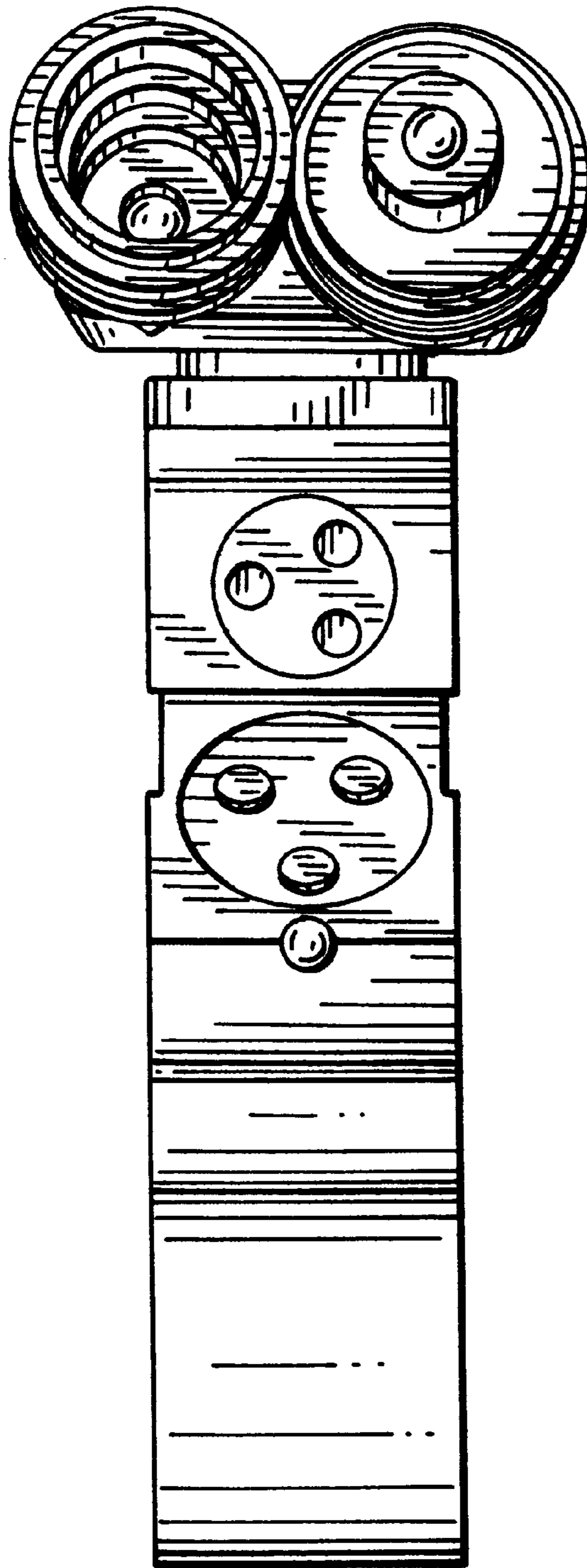


FIG. 4

FIG. 5



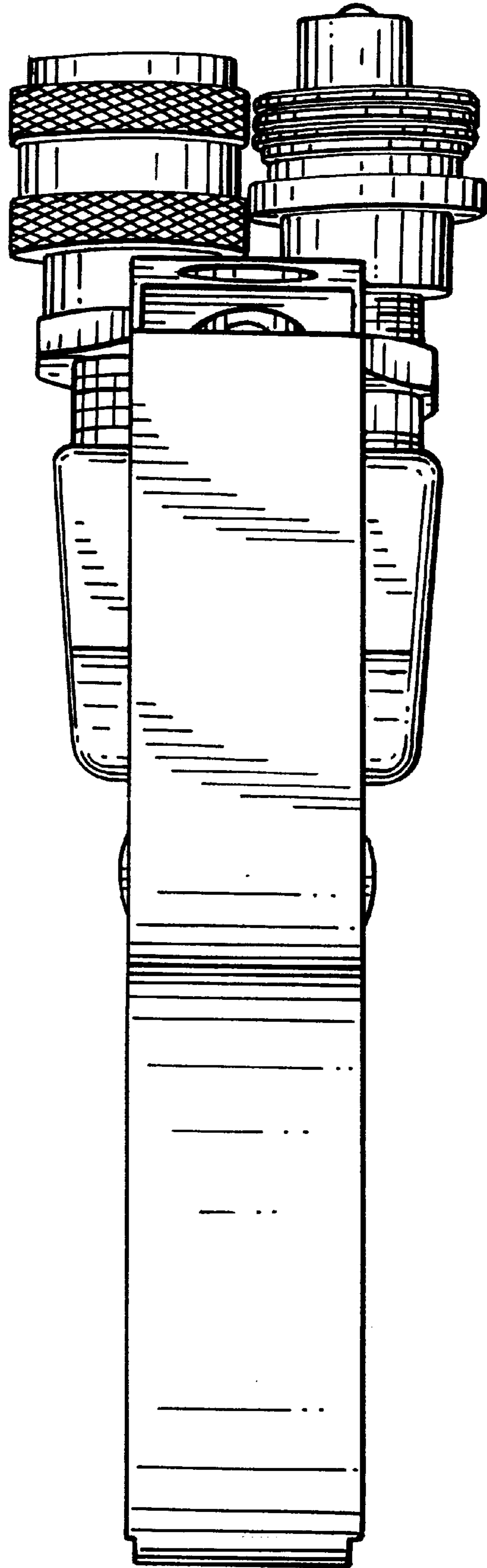


FIG. 6