



US00D465393S

(12) **United States Design Patent**
Kopras et al.

(10) **Patent No.:** **US D465,393 S**

(45) **Date of Patent:** **** Nov. 12, 2002**

- (54) **AUTOMATIC LOCKING DEPTH GUIDE**
- (75) Inventors: **Robert K. Kopras**, Black Earth, WI (US); **Scott P. Adler**, Madison, WI (US); **Cory R. Boudreau**, Madison, WI (US)
- (73) Assignee: **Roto Zip Tool Corporation**, Cross Plains, WI (US)
- (**) Term: **14 Years**

5,143,494 A	9/1992	McCurry	
5,310,296 A	5/1994	McCurry	
5,323,823 A	6/1994	Kopras	
5,671,789 A	9/1997	Stolzer et al.	
5,813,805 A	9/1998	Kopras	
5,829,931 A	* 11/1998	Doumani	409/182
5,902,080 A	5/1999	Kopras	
6,048,260 A	4/2000	Kopras	
D439,122 S	3/2001	Adler et al.	
D439,484 S	3/2001	Adler et al.	
6,357,534 B1	* 3/2002	Buetow et al.	173/217

FOREIGN PATENT DOCUMENTS

- (21) Appl. No.: **29/146,544**
- (22) Filed: **Aug. 10, 2001**

DE	27 05 410	2/1977
DE	43 26 652	8/1993

* cited by examiner

- (51) **LOC (7) Cl.** **08-05**
- (52) **U.S. Cl.** **D8/61**
- (58) **Field of Search** D8/61, 64, 68, D8/69; 81/54, 57.11, 57.13; 144/154.5; 173/168, 169, 170, 213, 217; 408/14, 110, 241 R, 241 S; 409/180, 181, 182

Primary Examiner—Doris V. Coles
Assistant Examiner—Elizabeth A. Albert
 (74) *Attorney, Agent, or Firm*—Foley & Lardner

(57) **CLAIM**

We claim the ornamental design for an automatic locking depth guide, as shown and described.

(56) **References Cited**

U.S. PATENT DOCUMENTS

1,565,790 A	12/1925	Carter	
1,581,719 A	4/1926	Carter	
1,584,078 A	5/1926	Carter	
1,904,109 A	4/1933	Wendorf	
3,550,481 A	12/1970	Jensen	
3,633,682 A	1/1972	Moore, Jr.	
3,746,460 A	7/1973	Lipe	
3,791,260 A	2/1974	Ambler et al.	
4,273,483 A	6/1981	Mendicino	
D282,345 S	* 1/1986	Fehrs	D8/61
4,562,872 A	1/1986	Fushiya et al.	
4,572,715 A	2/1986	Wolff	
4,770,573 A	9/1988	Monobe	
4,858,661 A	* 8/1989	Bosten et al.	144/154.5
4,938,642 A	7/1990	Imahashi et al.	
5,143,490 A	9/1992	Kopras	

DESCRIPTION

FIG. 1 is a top side perspective view of the automatic locking depth guide showing our new design;
 FIG. 2 is a first side view thereof;
 FIG. 3 is a second side view thereof;
 FIG. 4 is a third side view thereof;
 FIG. 5 is a fourth side view thereof;
 FIG. 6 is a top view thereof; and,
 FIG. 7 is a bottom view thereof.
 The broken line disclosure shown superimposed on continuous claimed surfaces in the drawings is for illustrative purposes only and forms no part of the claimed design.

1 Claim, 5 Drawing Sheets

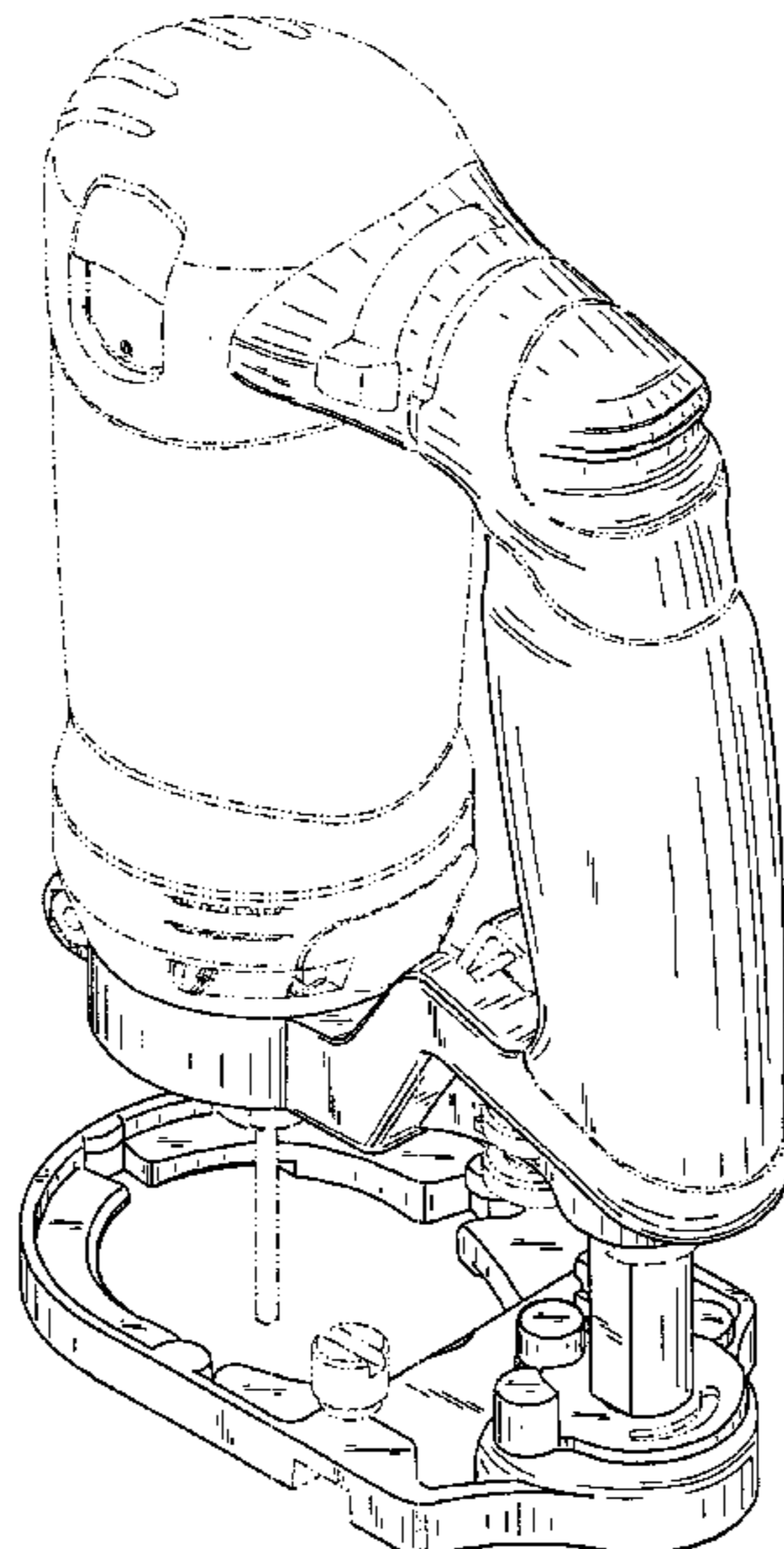


FIG. 1

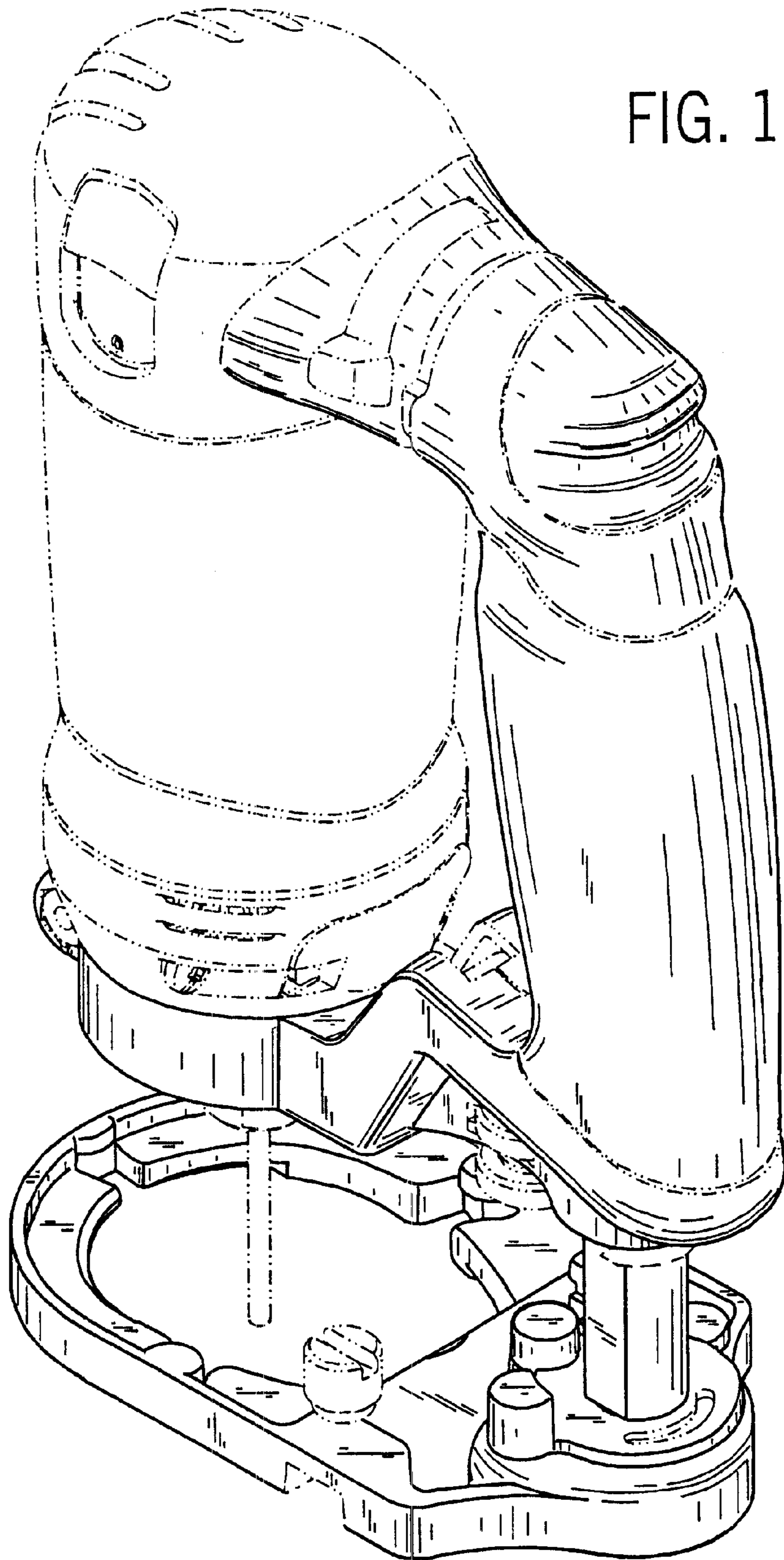


FIG. 2

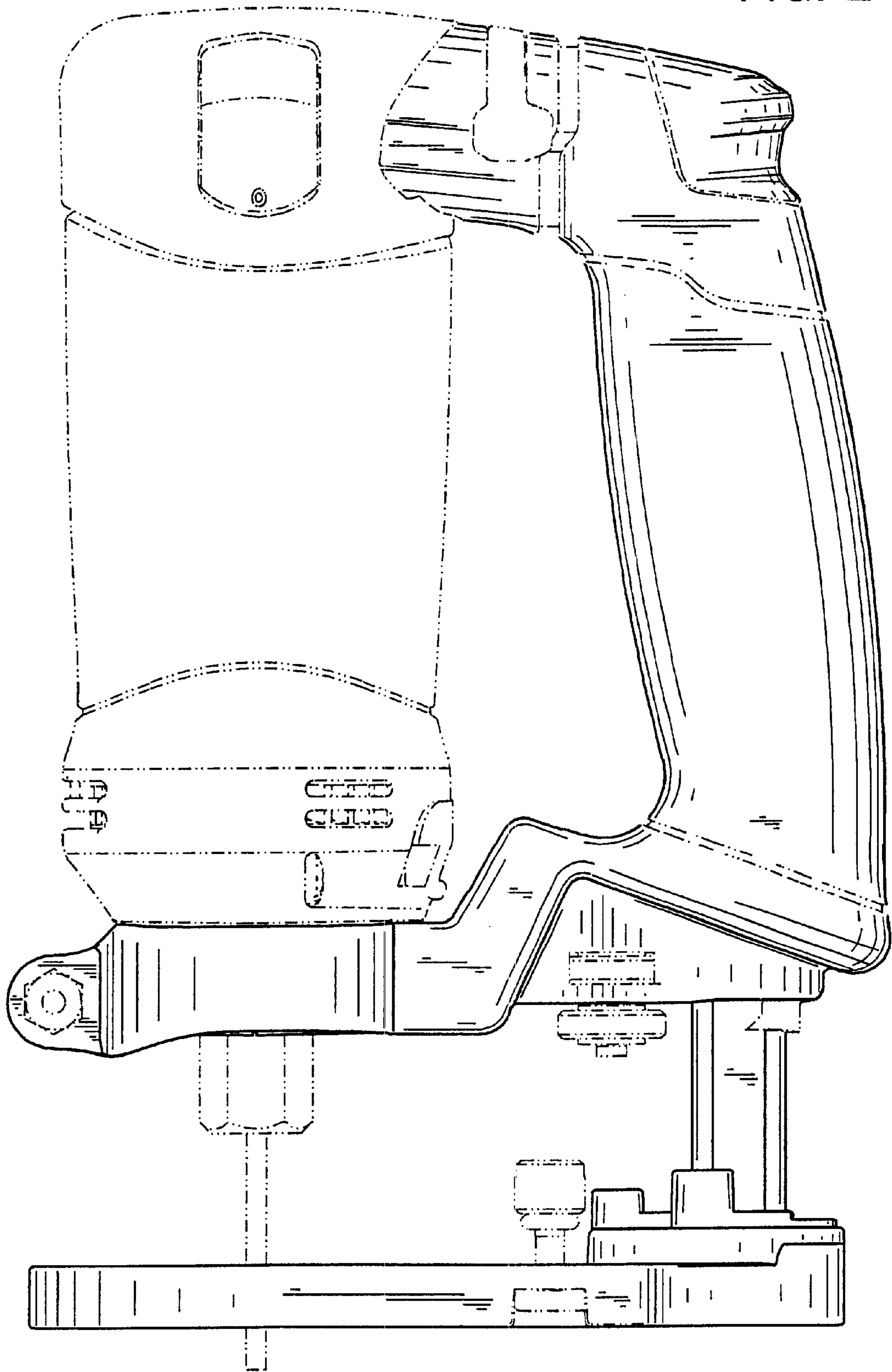


FIG. 3

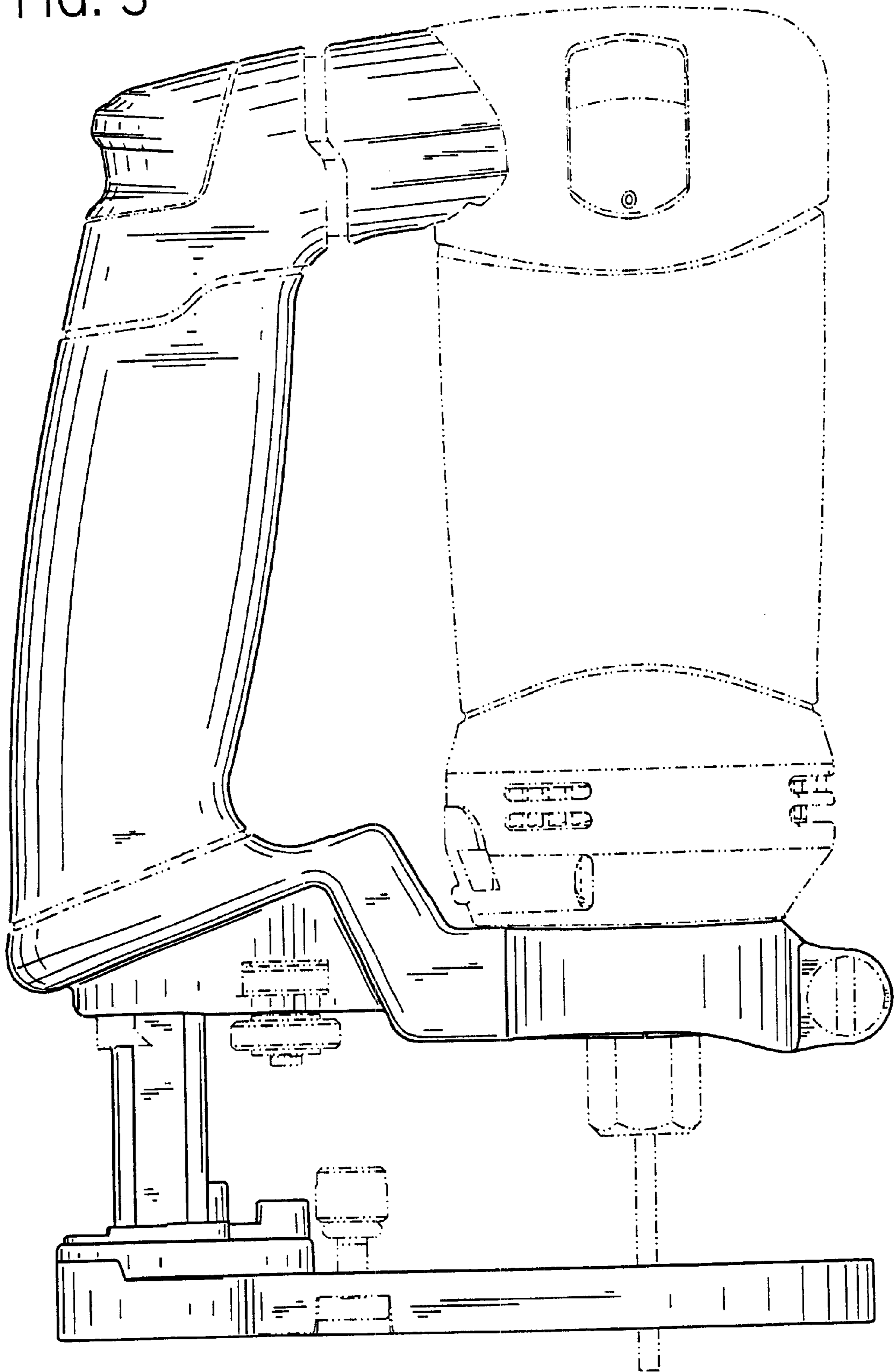


FIG. 4

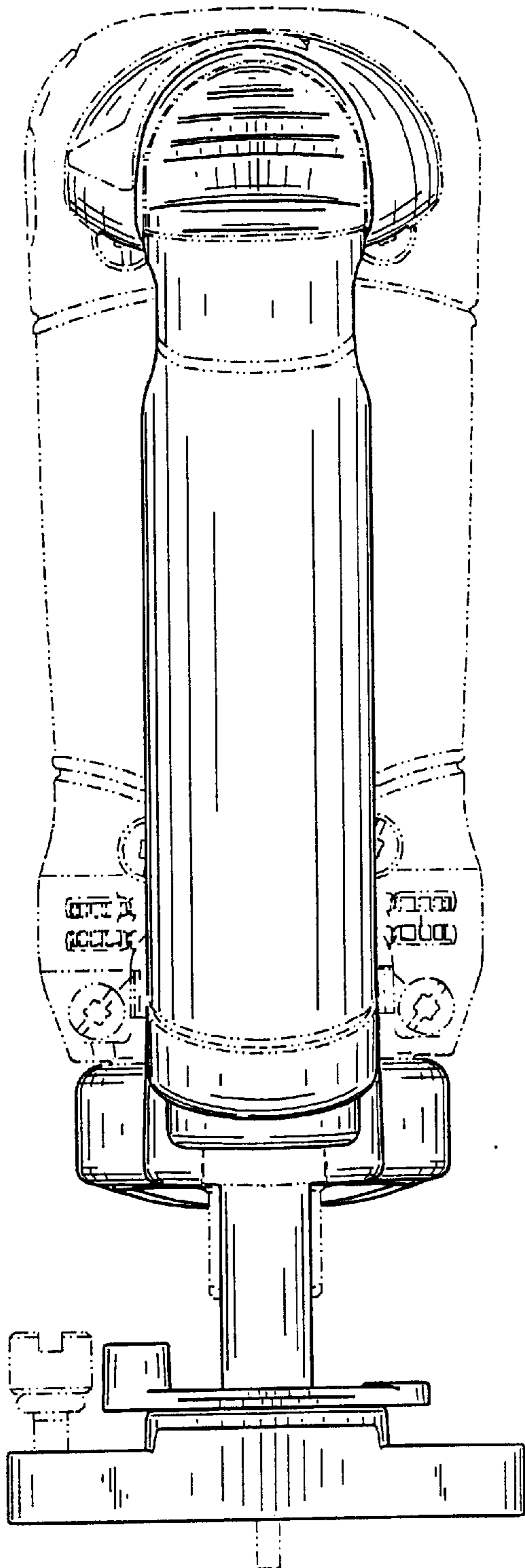
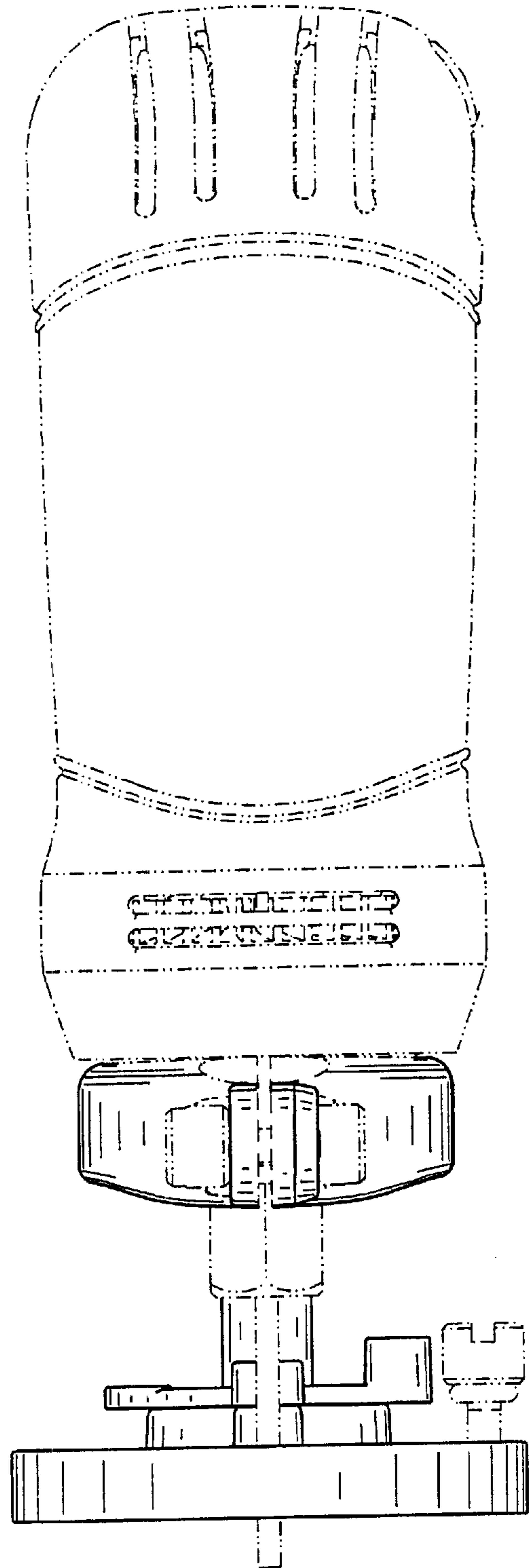


FIG. 5



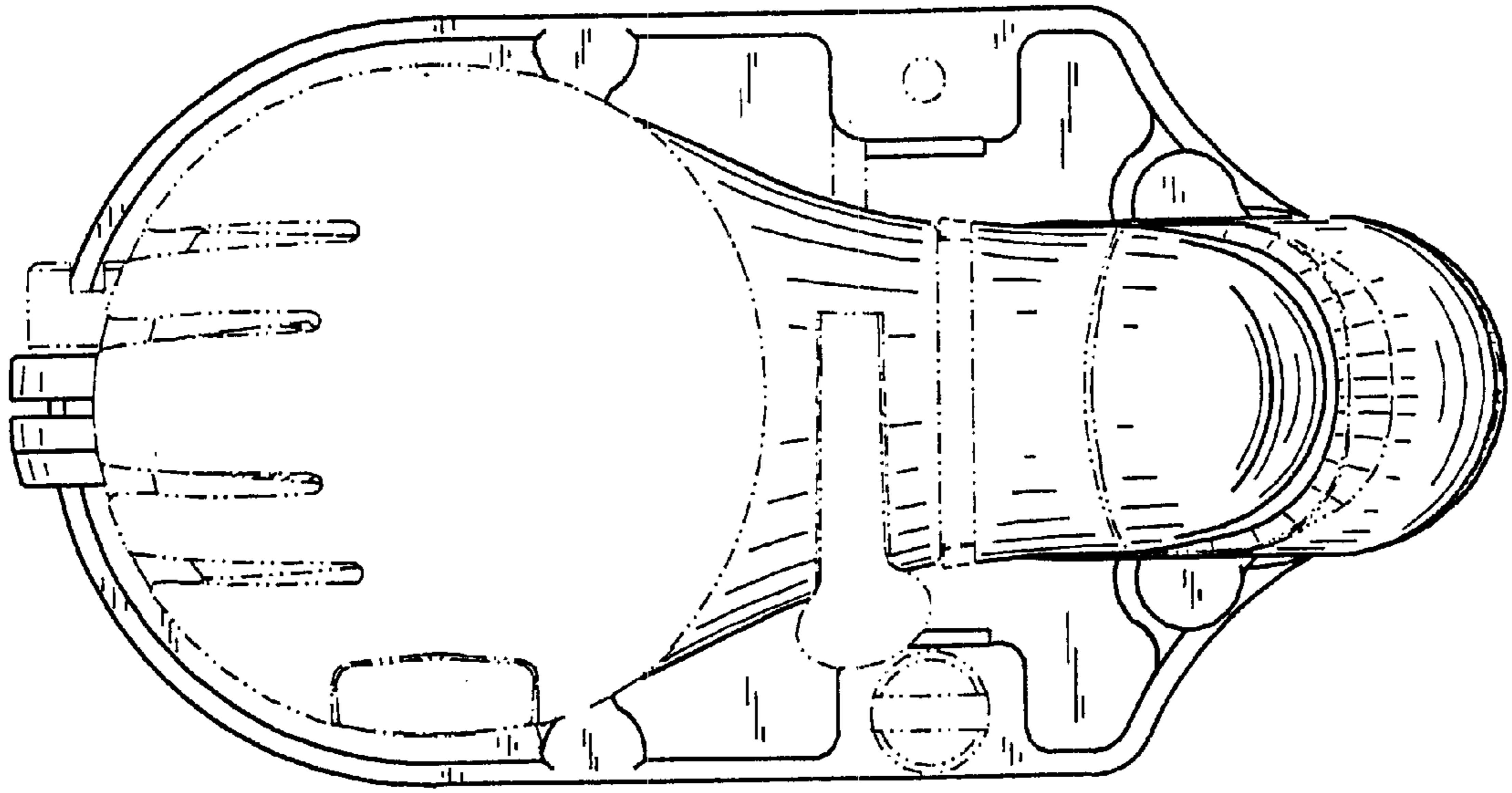


FIG. 6

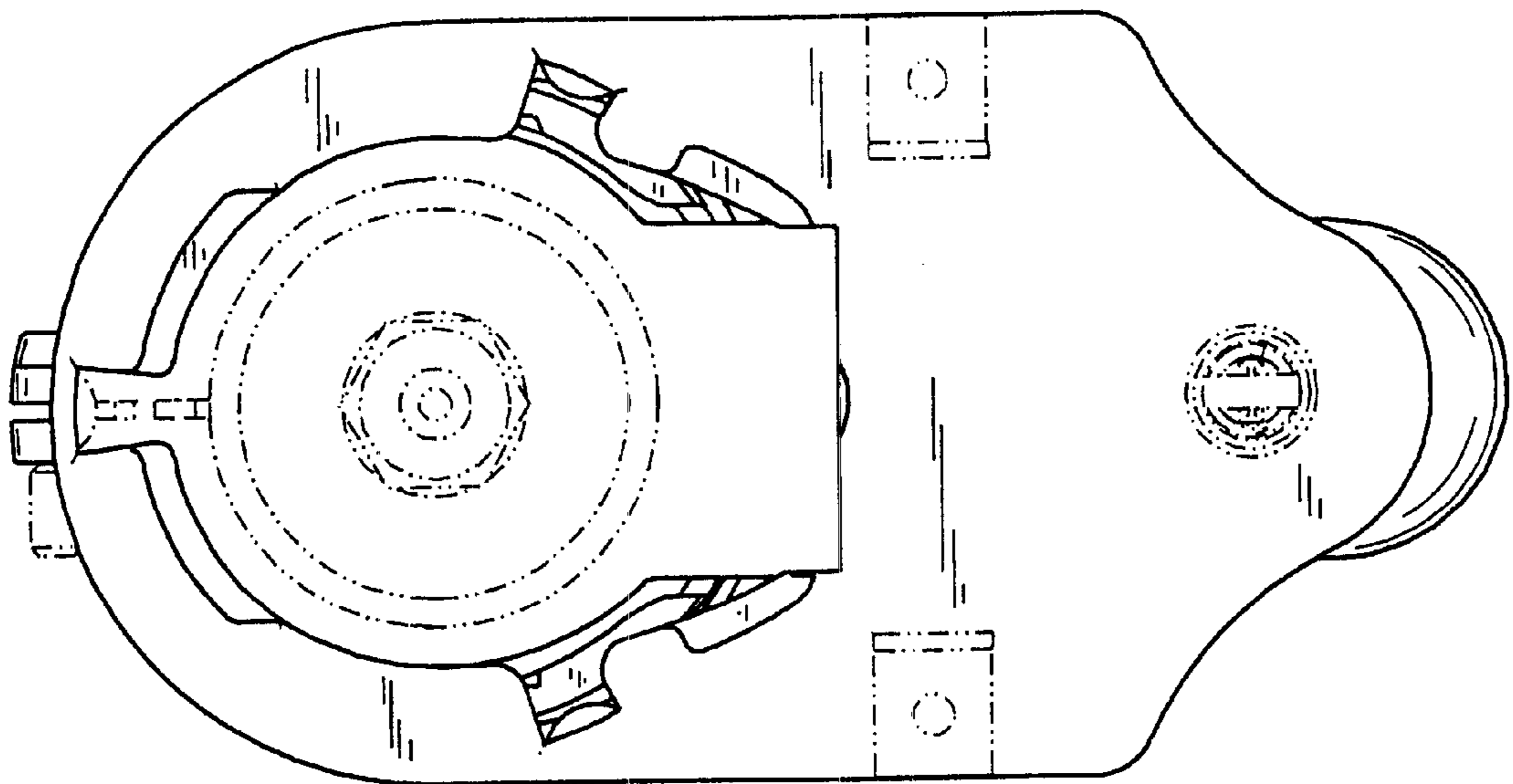


FIG. 7

UNITED STATES PATENT AND TRADEMARK OFFICE
CERTIFICATE OF CORRECTION

PATENT NO. : Des. 465,393 S
DATED : November 12, 2002
INVENTOR(S) : Robert K. Kopras et al.

Page 1 of 7

It is certified that error appears in the above-identified patent and that said Letters Patent is hereby corrected as shown below:

Title page should be deleted and substitute therefore the attached title page.

Delete drawing sheets 1-7, and substitute therefore the drawings sheets, consisting of Figs. 1-7, as shown on the attached pages.

Signed and Sealed this

Thirteenth Day of May, 2003

A handwritten signature in black ink, appearing to read "James E. Rogan", written over a horizontal line.

JAMES E. ROGAN
Director of the United States Patent and Trademark Office

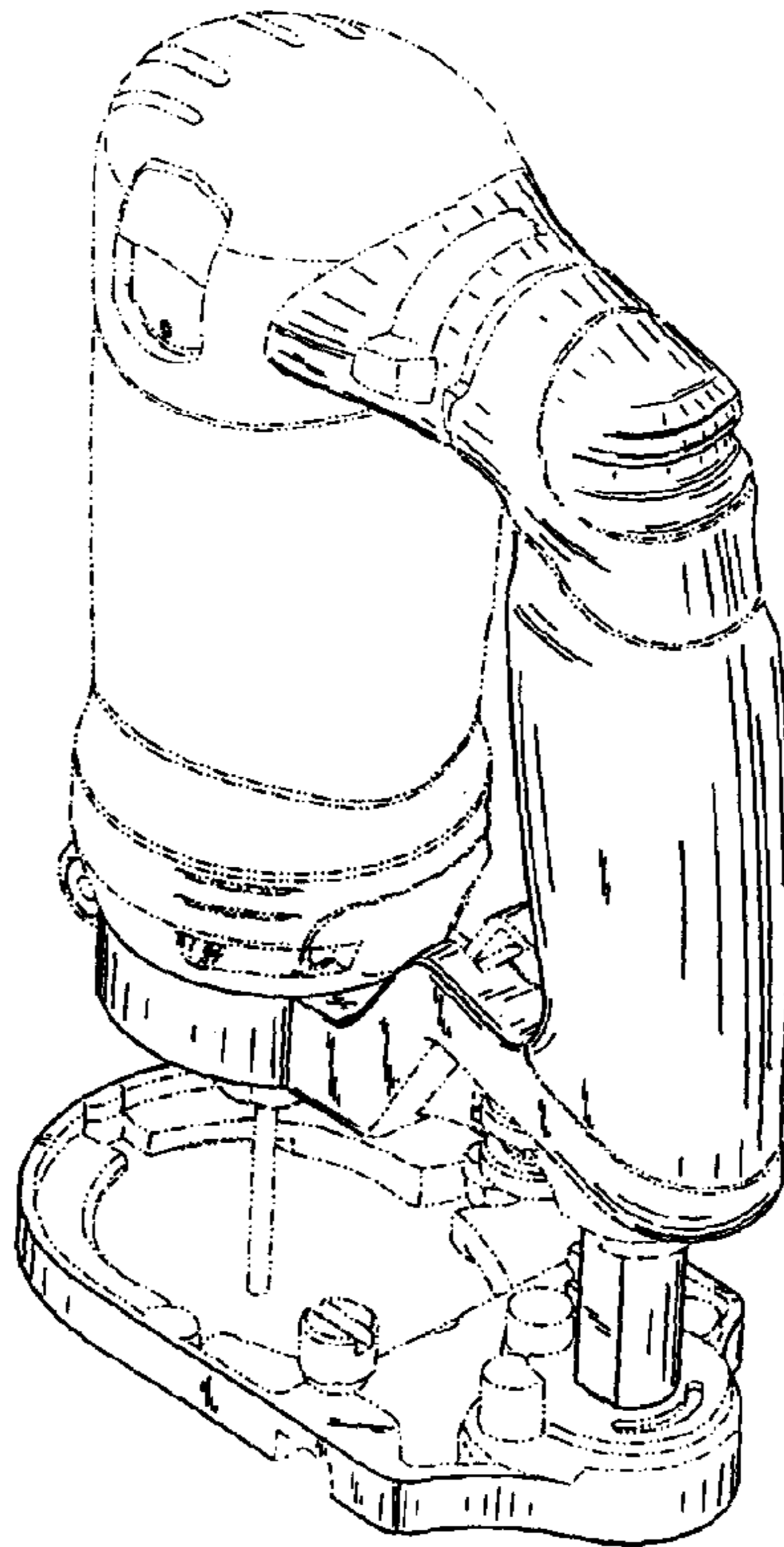
(12) **United States Design Patent** (10) **Patent No.:** **US D465,393 S**
Kopras et al. (45) **Date of Patent:** **** Nov. 12, 2002**

(54) **AUTOMATIC LOCKING DEPTH GUIDE** 5,143,494 A 9/1992 McCurry
 5,310,296 A 5/1994 McCurry
 (75) **Inventors:** **Robert K. Kopras**, Black Earth, WI 5,323,823 A 6/1994 Kopras
 (US); **Scott P. Adler**, Madison, WI 5,671,789 A 9/1997 Stolzer et al.
 (US); **Cory R. Boudreau**, Madison, WI 5,813,805 A 9/1998 Kopras
 (US) 5,829,931 A * 11/1998 Doumani 409/182
 5,902,080 A 5/1999 Kopras
 (73) **Assignee:** **Roto Zip Tool Corporation**, Cross 6,048,260 A 4/2000 Kopras
 Plains, WI (US) D439,122 S 3/2001 Adler et al.
 D439,484 S 3/2001 Adler et al.
 (**) **Term:** **14 Years** 6,357,534 B1 * 3/2002 Buetow et al. 173/217

FOREIGN PATENT DOCUMENTS

(21) **Appl. No.:** **29/146,544** DE 27 05 410 2/1977
 (22) **Filed:** **Aug. 10, 2001** DE 43 26 652 8/1993

(51) **LOC (7) Cl.** **08-05** * cited by examiner
 (52) **U.S. Cl.** **D8/61** *Primary Examiner*—Doris V. Coles
 (58) **Field of Search** D8/61, 64, 68, *Assistant Examiner*—Elizabeth A. Albert
 D8/69; 81/54, 57.11, 57.13; 144/154.5; (74) *Attorney, Agent, or Firm*—Foley & Lardner
 173/168, 169, 170, 213, 217; 408/14, 110, 241 R, 241 S; 409/180, 181, 182 (57) **CLAIM**



U.S. Patent

Nov. 12, 2002

Sheet 1 of 5

Des 465,393 S

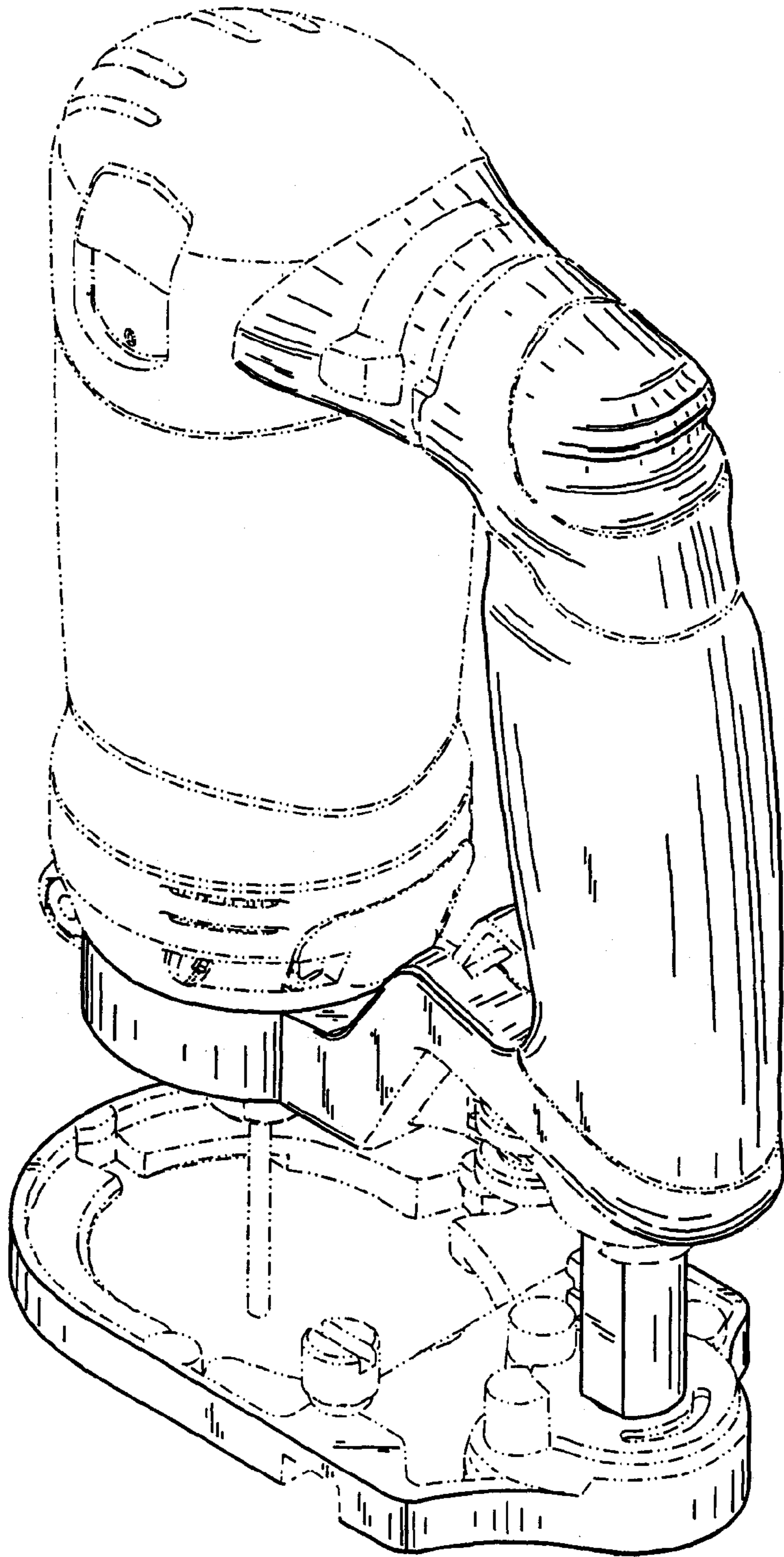


FIG. 2

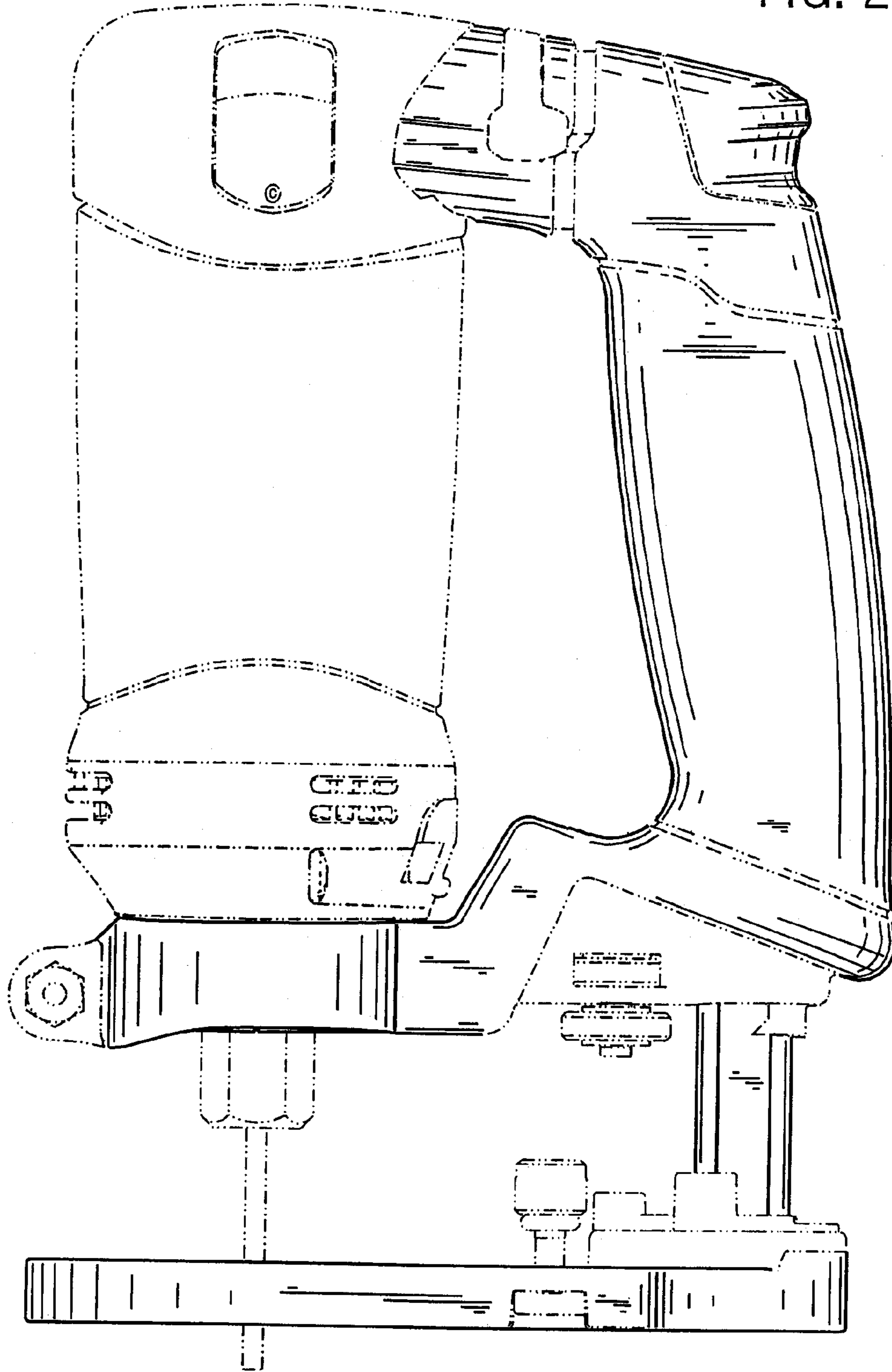


FIG. 3

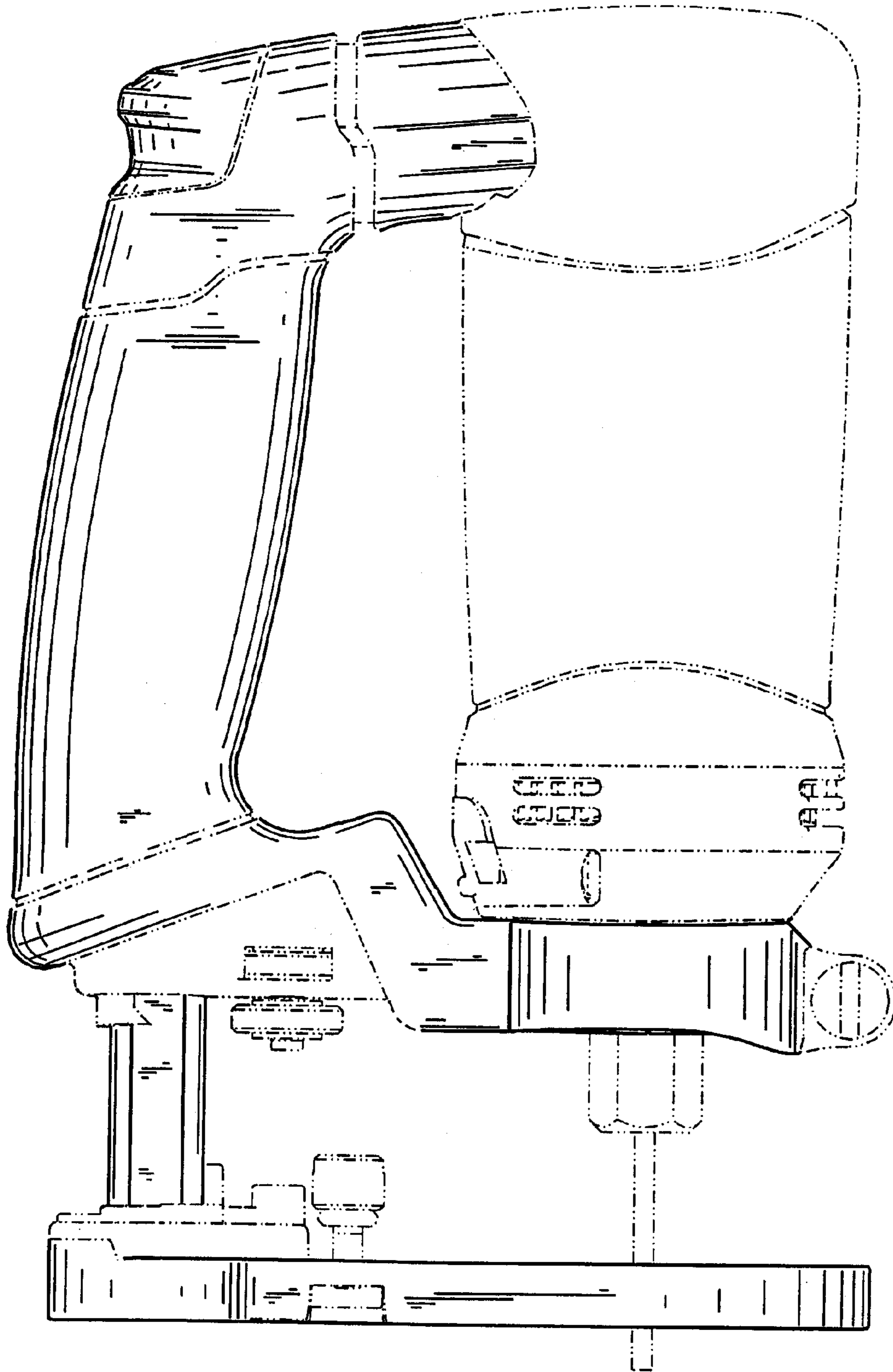


FIG. 4

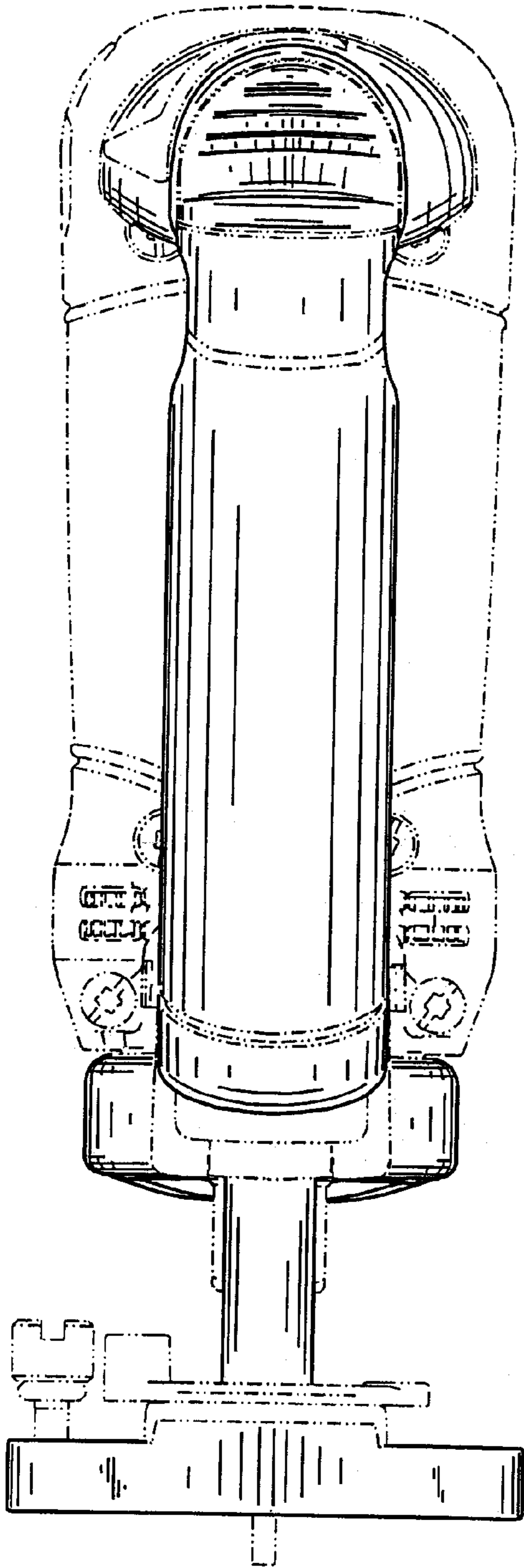
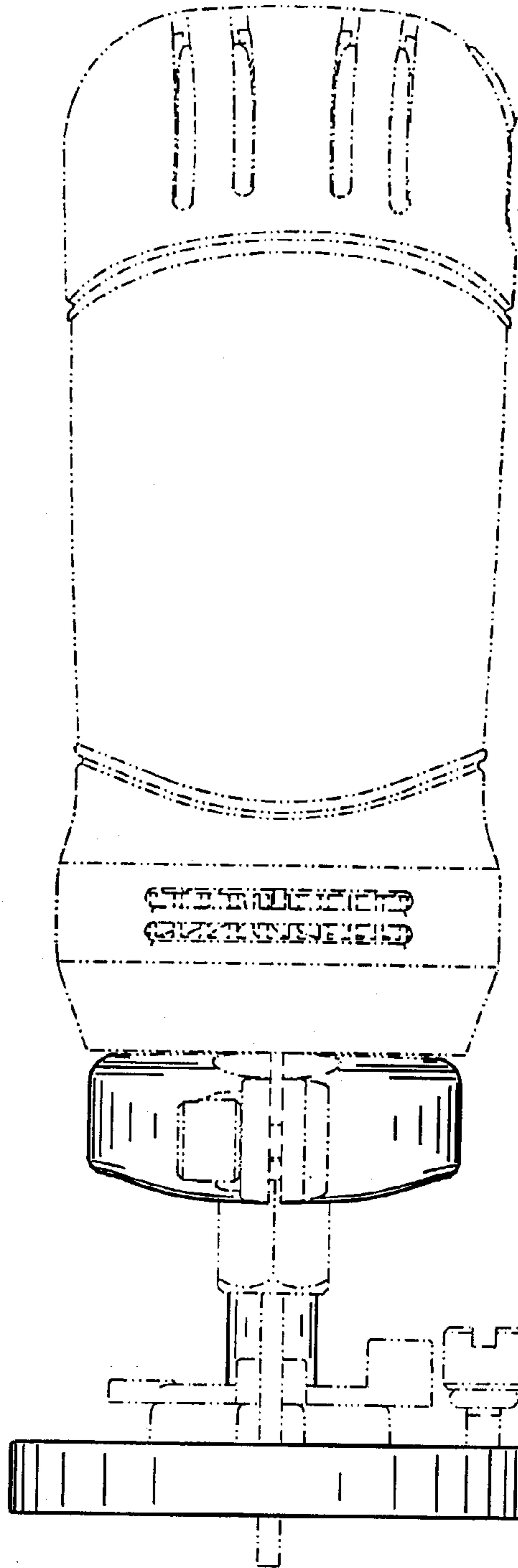


FIG. 5



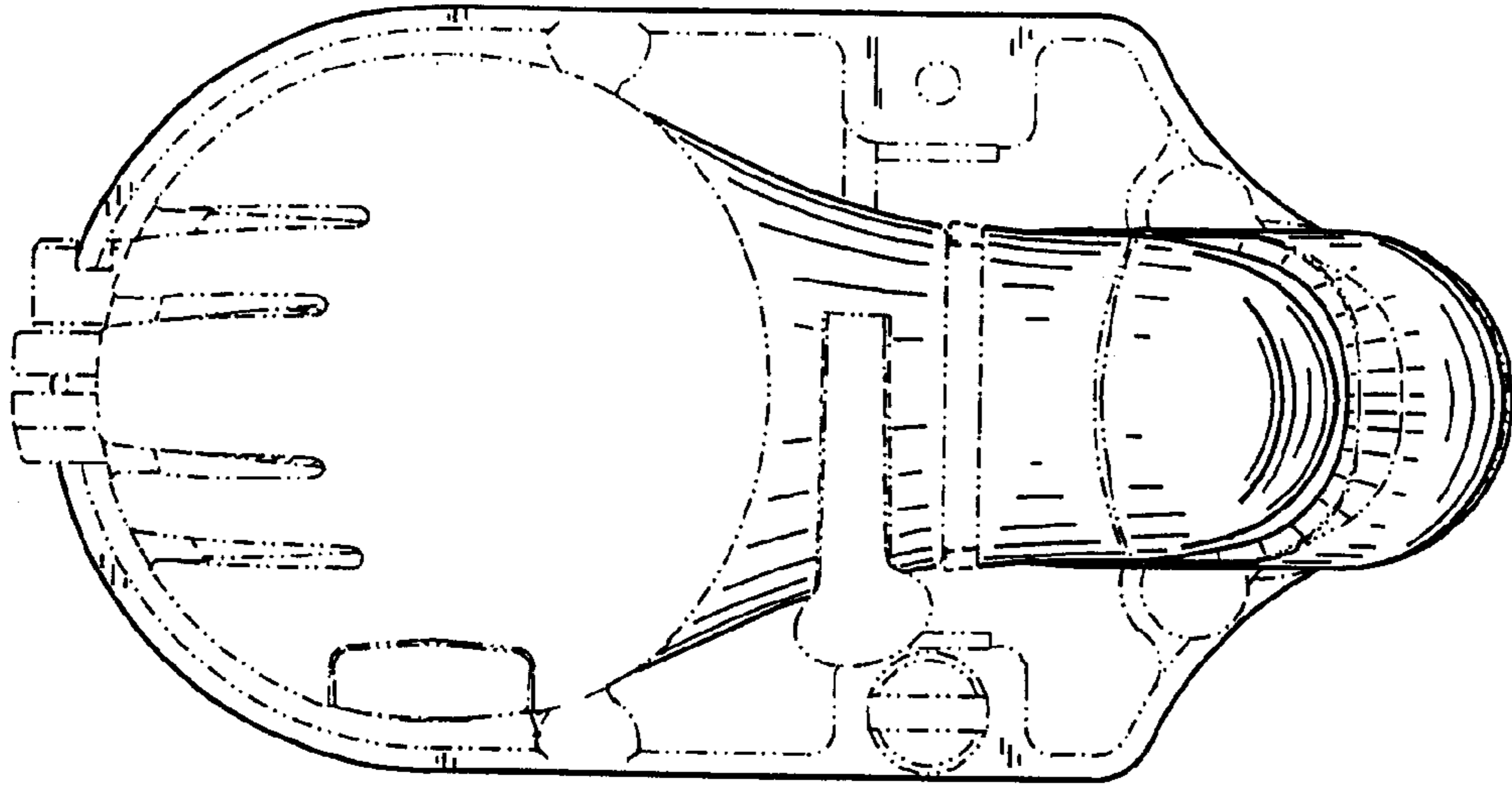


FIG. 6

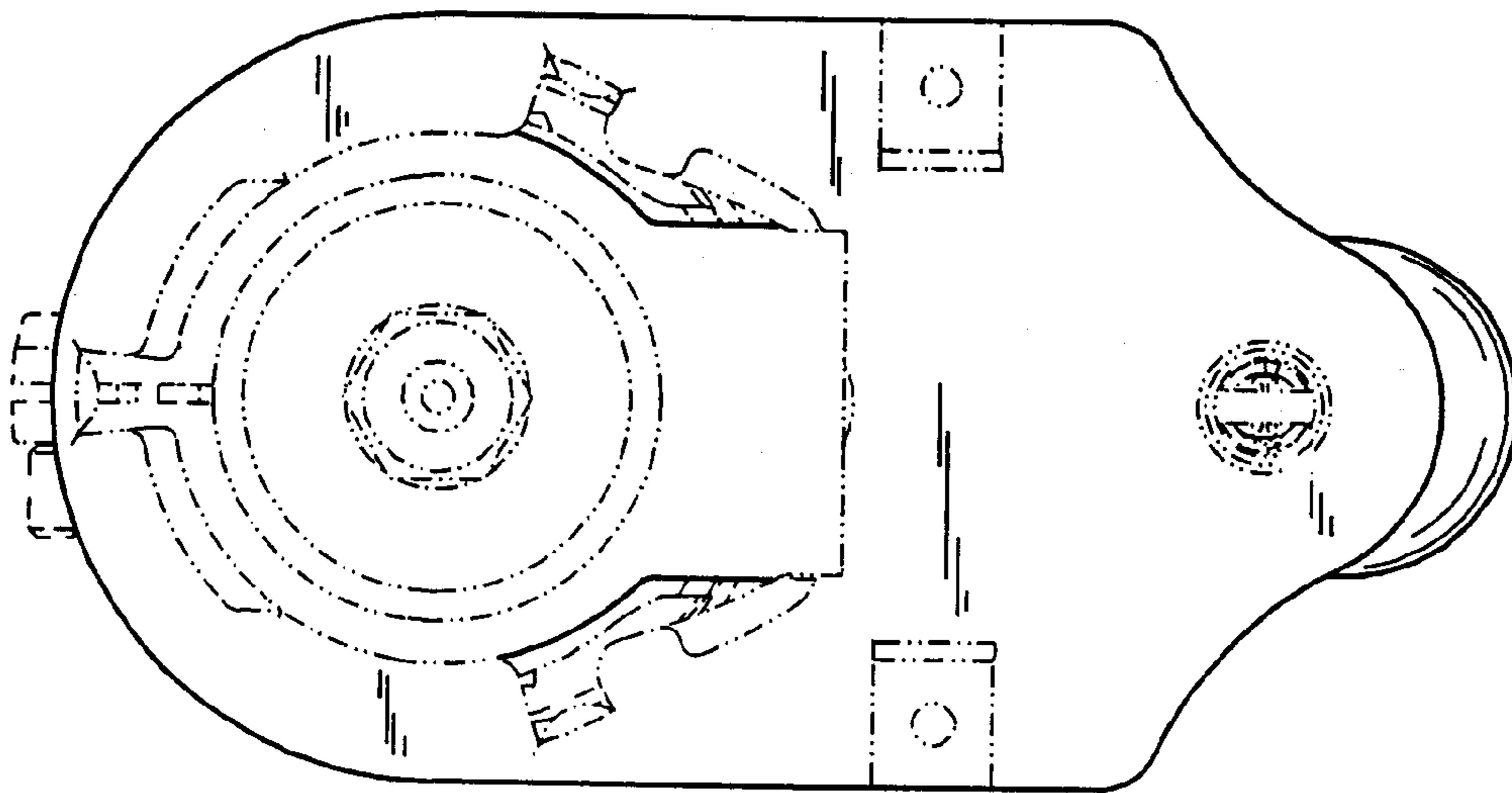


FIG. 7