



US00D465392S

(12) **United States Design Patent**
Digman

(10) **Patent No.:** **US D465,392 S**

(45) **Date of Patent:** **** Nov. 12, 2002**

(54) **TIRE BEAD BREAKER**

(75) **Inventor:** **Micah L. Digman**, Beaver Dam, WI
(US)

(73) **Assignee:** **Actuant Corporation**, Milwaukee, WI
(US)

(**) **Term:** **14 Years**

(21) **Appl. No.:** **29/153,991**

(22) **Filed:** **Jan. 14, 2002**

(51) **LOC (7) Cl.** **08-05**

(52) **U.S. Cl.** **D8/31; D8/51; D15/199**

(58) **Field of Search** **D8/14, 51, 52,**
D8/31; 157/1, 1.1, 1.17, 1.3; D15/199

(56) **References Cited**

U.S. PATENT DOCUMENTS

3,771,580	A	*	11/1973	Branick	157/1.17
4,589,462	A	*	5/1986	Giles	157/1.17
4,785,865	A	*	11/1988	Folstad	157/1.17
4,787,433	A	*	11/1988	Thomas	157/1.17
4,913,770	A	*	4/1990	Sims	157/1.17
4,993,467	A	*	2/1991	Stavinoha	157/1.17
D320,617	S	*	10/1991	Haugen et al.	D15/199

RE33,892	E	*	4/1992	Sims	157/1.17
5,269,358	A	*	12/1993	Ling	157/1.1
D343,181	S	*	1/1994	Garcia	D15/199

* cited by examiner

Primary Examiner—Philip S. Hyder

(74) *Attorney, Agent, or Firm*—Quarles & Brady LLP

(57) **CLAIM**

The ornamental design for a tire bead breaker, as shown and described.

DESCRIPTION

FIG. 1 is a perspective view of a tire bead breaker showing my new design;

FIG. 2 is a right side elevational view thereof; the left side elevational view being a mirror image of the right side;

FIG. 3 is a top plan view thereof;

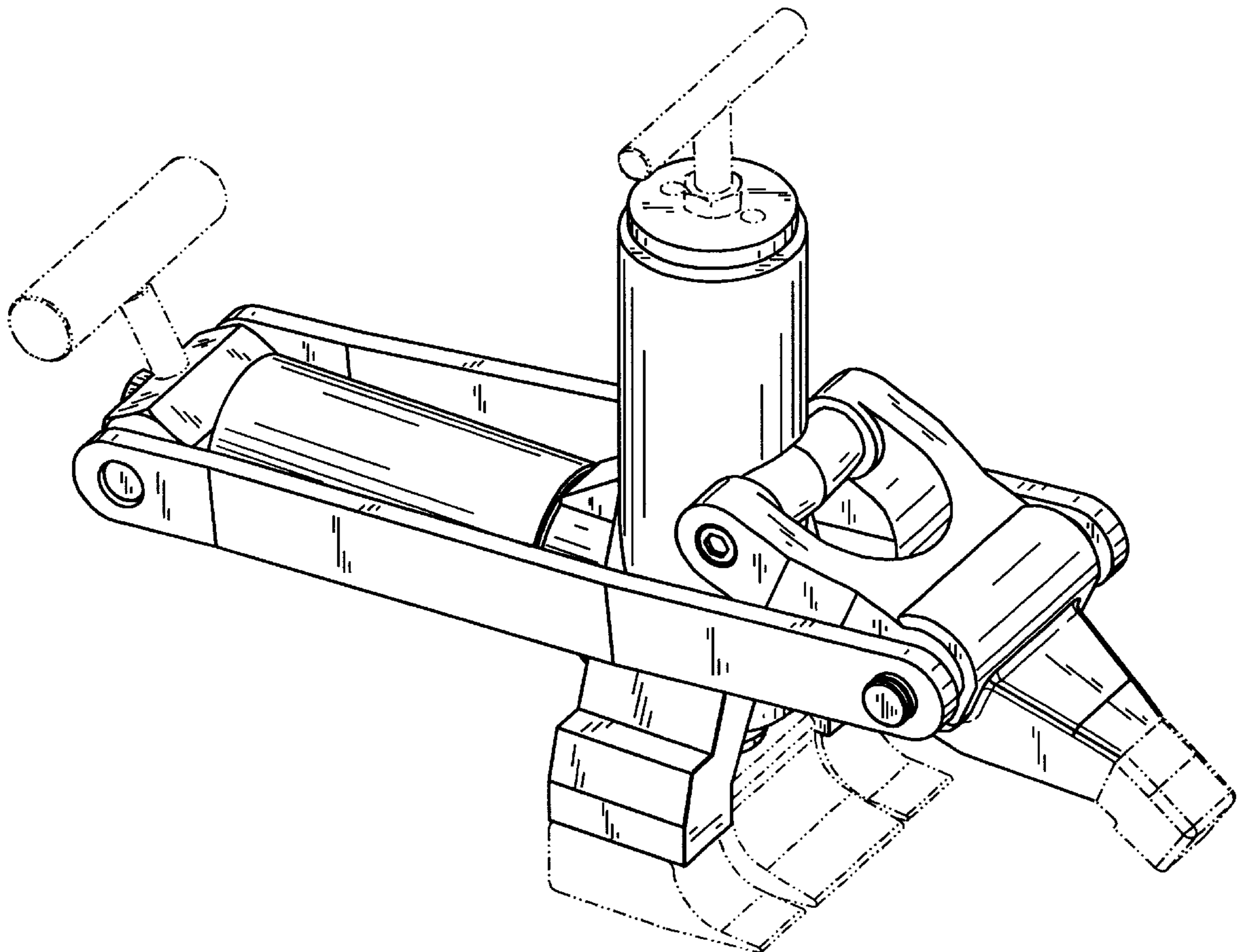
FIG. 4 is a bottom plan view thereof;

FIG. 5 is a rear elevational view thereof; and,

FIG. 6 is a front elevational view thereof.

The broken line portions of the tire bead breaker are for illustrative purposes only and form no part of the claimed design.

1 Claim, 4 Drawing Sheets



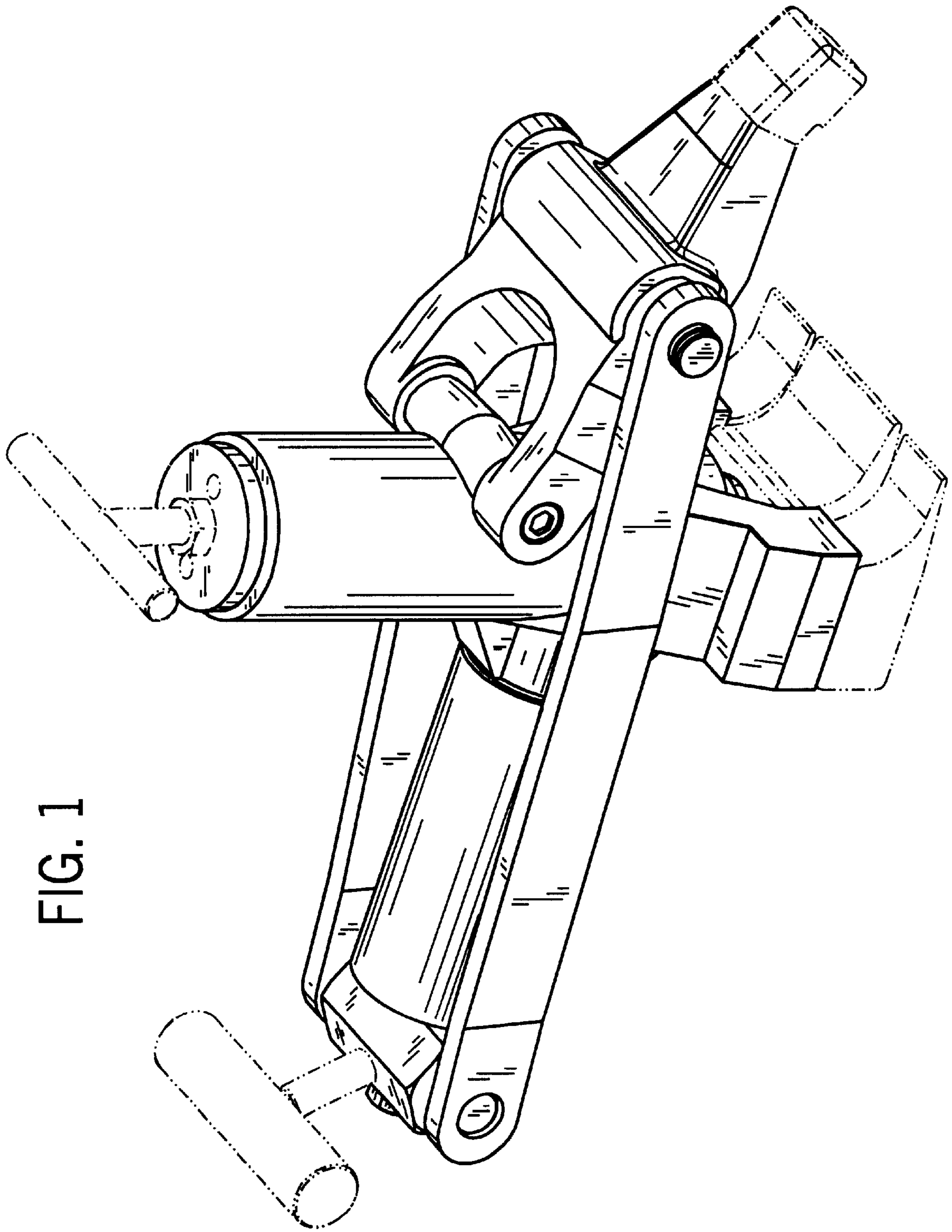


FIG. 1

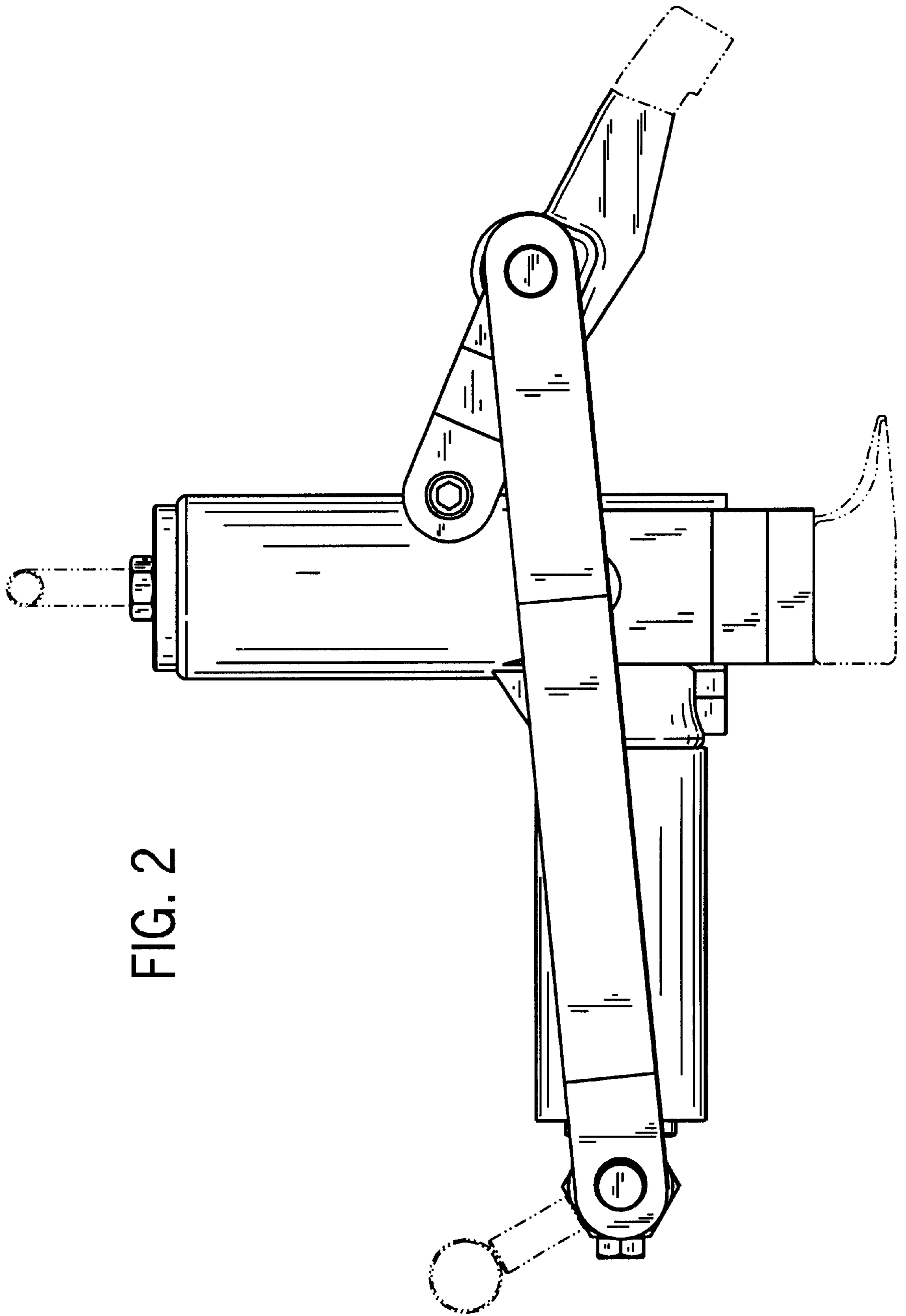


FIG. 2

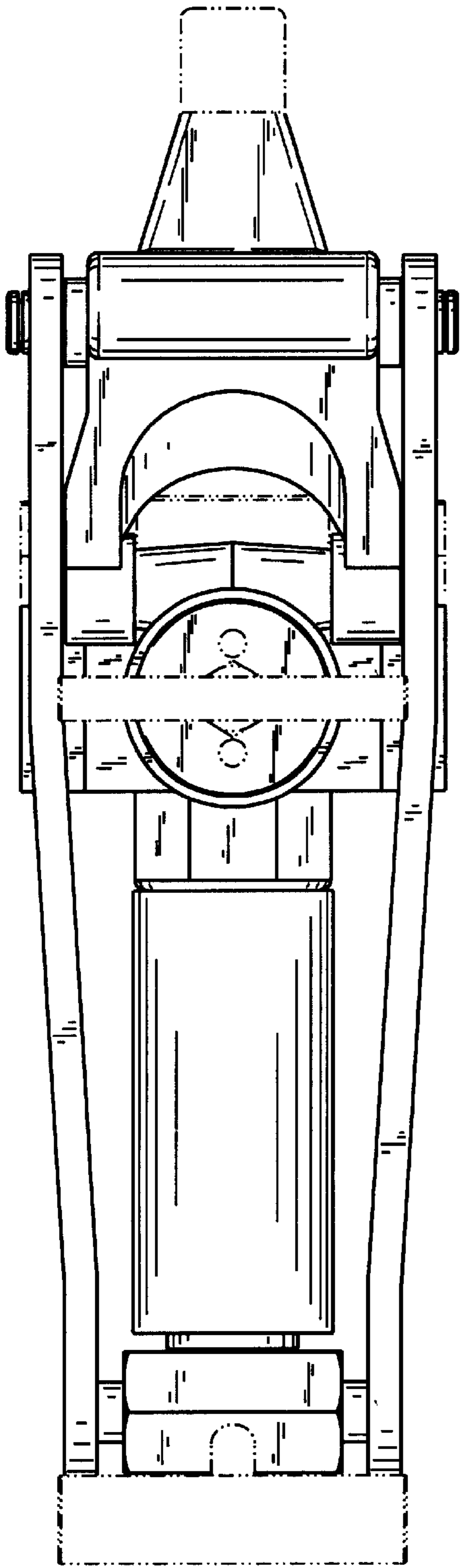


FIG. 3

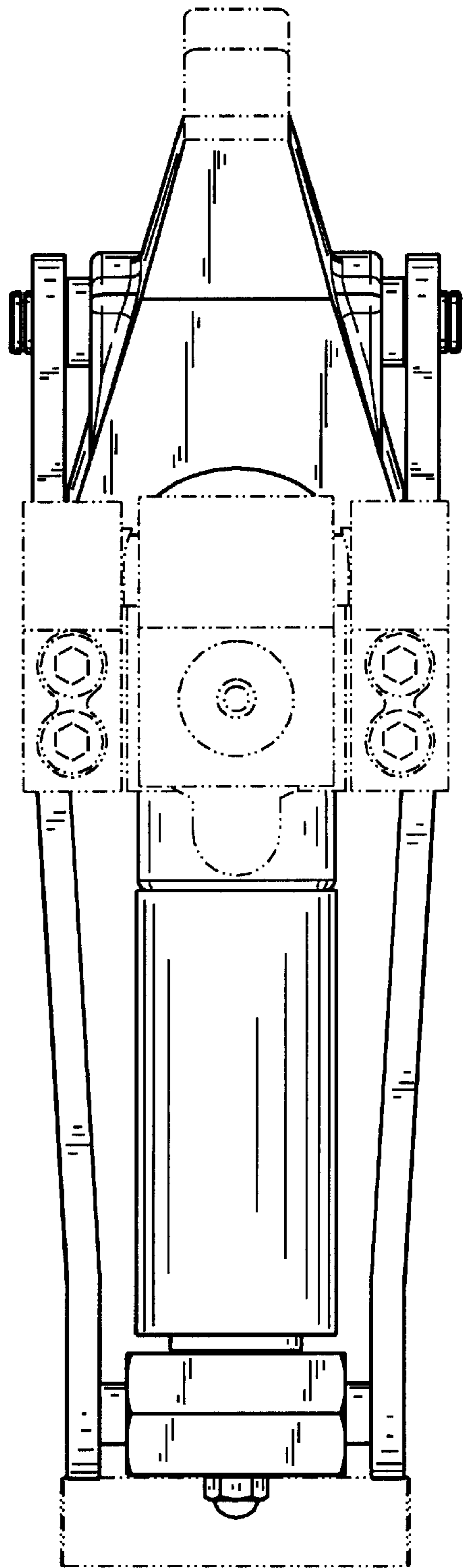


FIG. 4

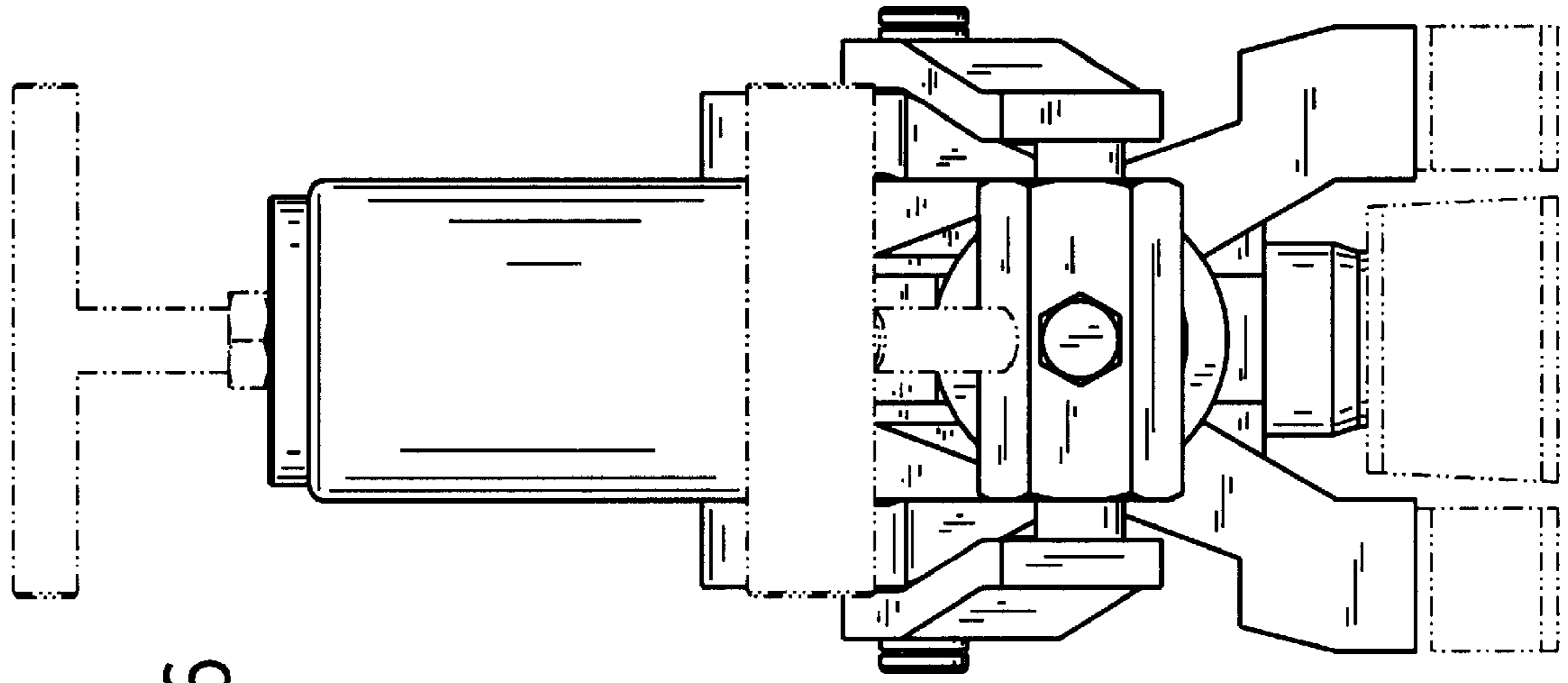


FIG. 6

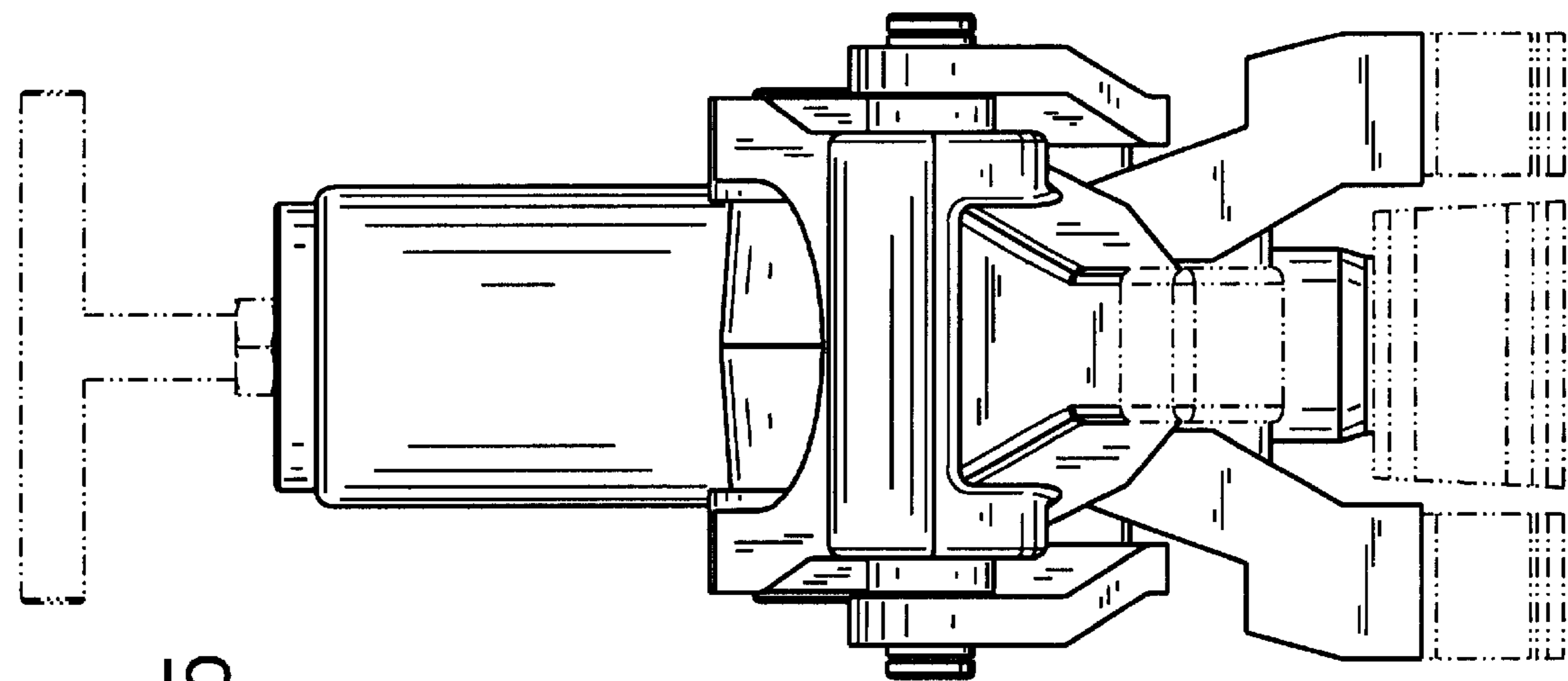


FIG. 5