



US00D465388S

(12) **United States Design Patent**
Rhea

(10) **Patent No.:** **US D465,388 S**

(45) **Date of Patent:** **** Nov. 12, 2002**

(54) **CHRISTMAS TREE WATERING DEVICE**

(76) Inventor: **Clifton Rhea**, 706 Hatherleigh Rd.,
Baltimore, MD (US) 21212

(**) Term: **14 Years**

(21) Appl. No.: **29/158,327**

(22) Filed: **Apr. 2, 2002**

(51) **LOC (7) Cl.** **08-01**

(52) **U.S. Cl.** **D8/1**

(58) **Field of Search** D8/1; 47/48.5,
47/40.5

(56) **References Cited**

U.S. PATENT DOCUMENTS

5,054,236 A	10/1991	Sands	47/79
5,201,140 A	4/1993	Voorhis	47/40.5
5,299,381 A	4/1994	Oldenburg	47/40.4
5,369,910 A	12/1994	Copenhaver	47/40.5
5,421,122 A *	6/1995	Hyndman	47/48.5
5,522,179 A	6/1996	Hollis	47/40.5
D375,026 S	10/1996	Ronals	D8/1
5,575,110 A	11/1996	Couture	47/40.5
5,615,516 A	4/1997	Brown	47/40.5
D379,908 S *	6/1997	Thaler et al.	D8/1

5,669,178 A	9/1997	Petrovic	47/40.5
5,969,620 A	10/1999	Okulov	340/620
D427,028 S *	6/2000	Zinger et al.	D8/1
6,073,390 A	6/2000	Baudier	47/40.5
6,082,043 A	7/2000	Andrews	47/40.4
6,088,960 A	7/2000	Hatzog	47/40.5
6,167,651 B1	1/2001	Luddy	47/40.5
6,260,303 B1	7/2001	Sappenfield	47/40.5
D450,549 S *	11/2001	Burt	D8/1

* cited by examiner

Primary Examiner—Robin V. Taylor

(74) *Attorney, Agent, or Firm*—Larry J. Guffey

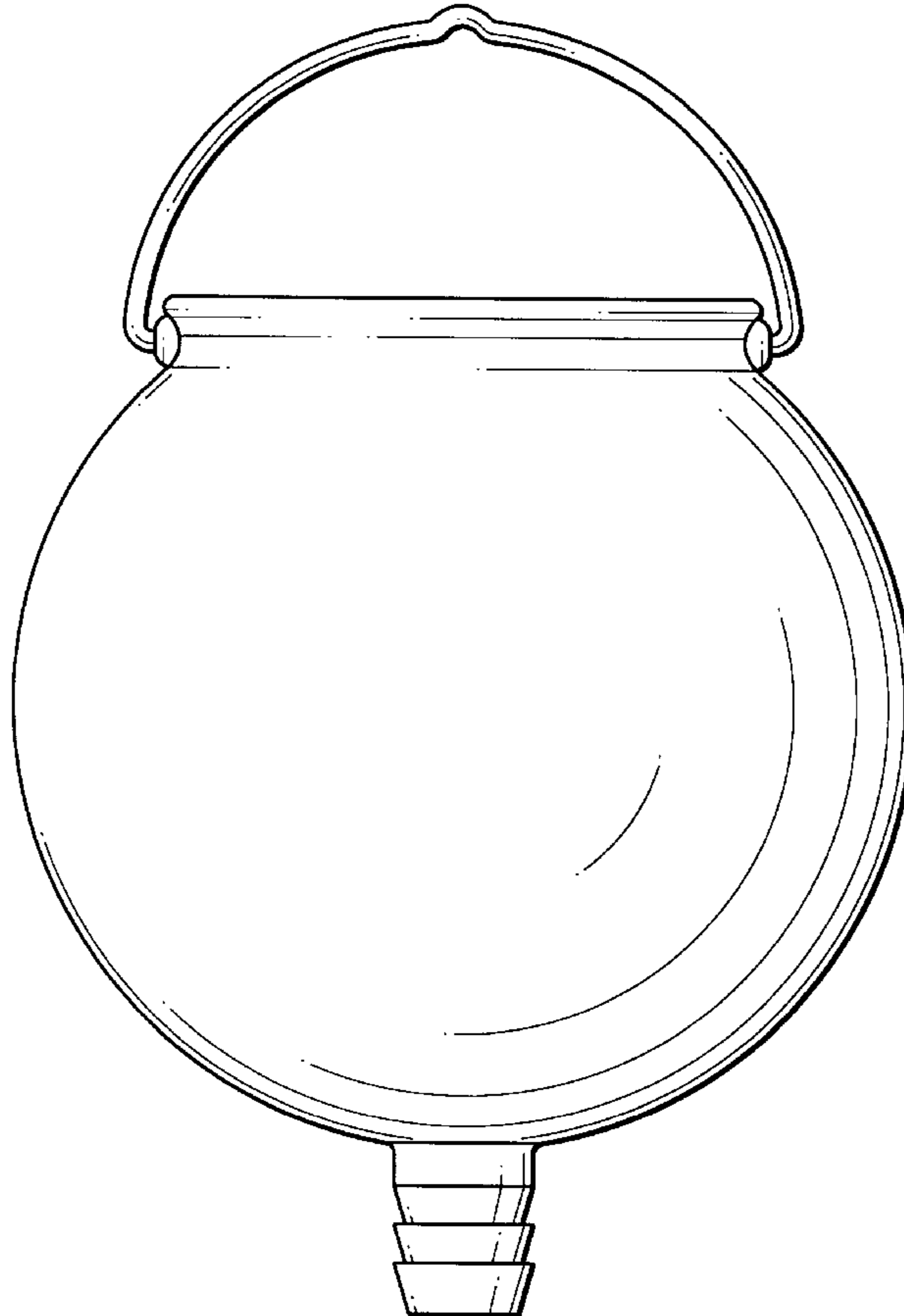
(57) **CLAIM**

I claim the ornamental design for a Christmas tree watering device, as shown and described.

DESCRIPTION

FIG. 1 is a top, front and right side perspective view of a Christmas tree watering device showing my new design; FIG. 2 is a front elevational view thereof; FIG. 3 is a right side, elevational view thereof; FIG. 4 is a top plan view thereof; and, FIG. 5 is a bottom plan view thereof.

1 Claim, 4 Drawing Sheets



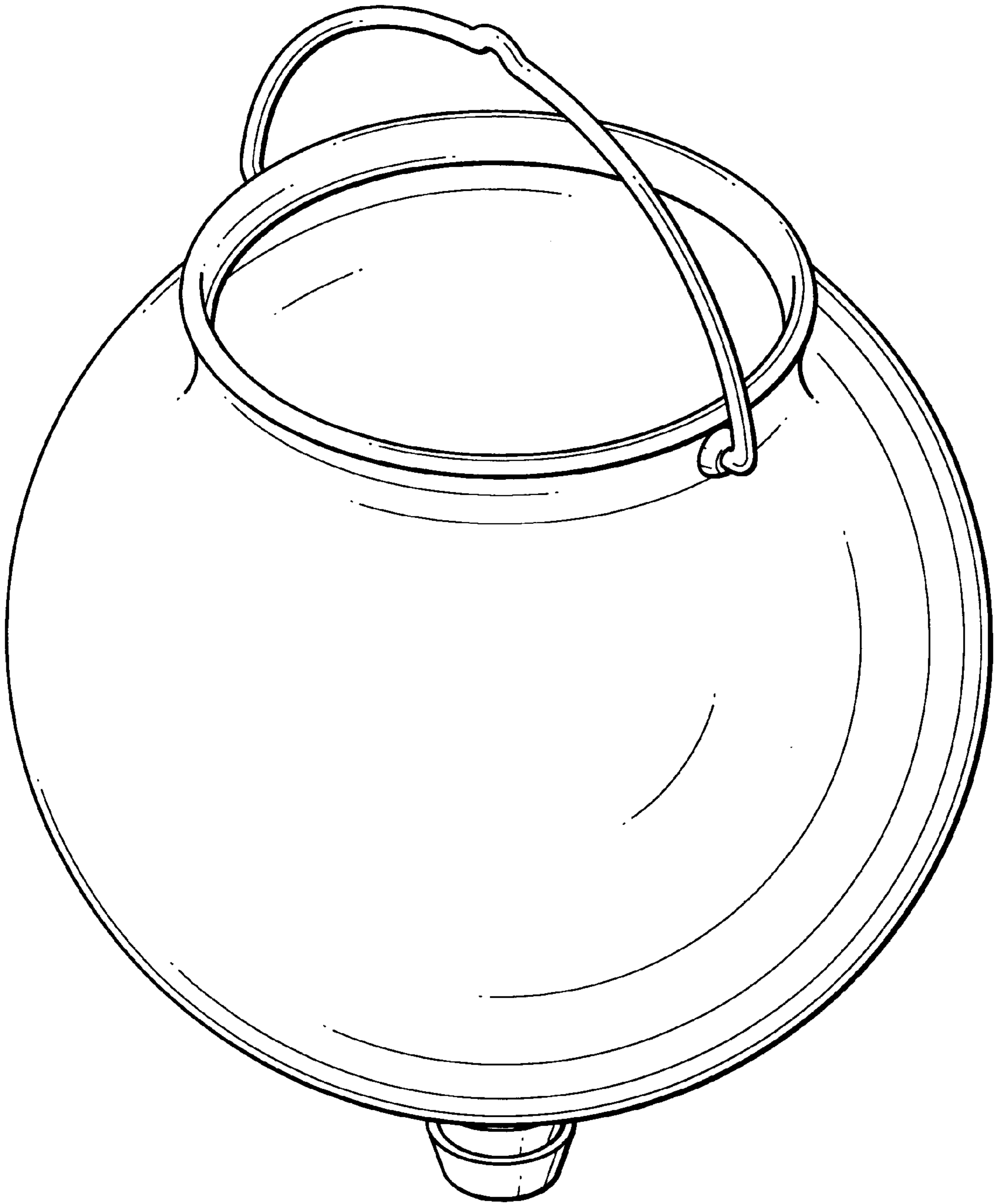


FIG. 1

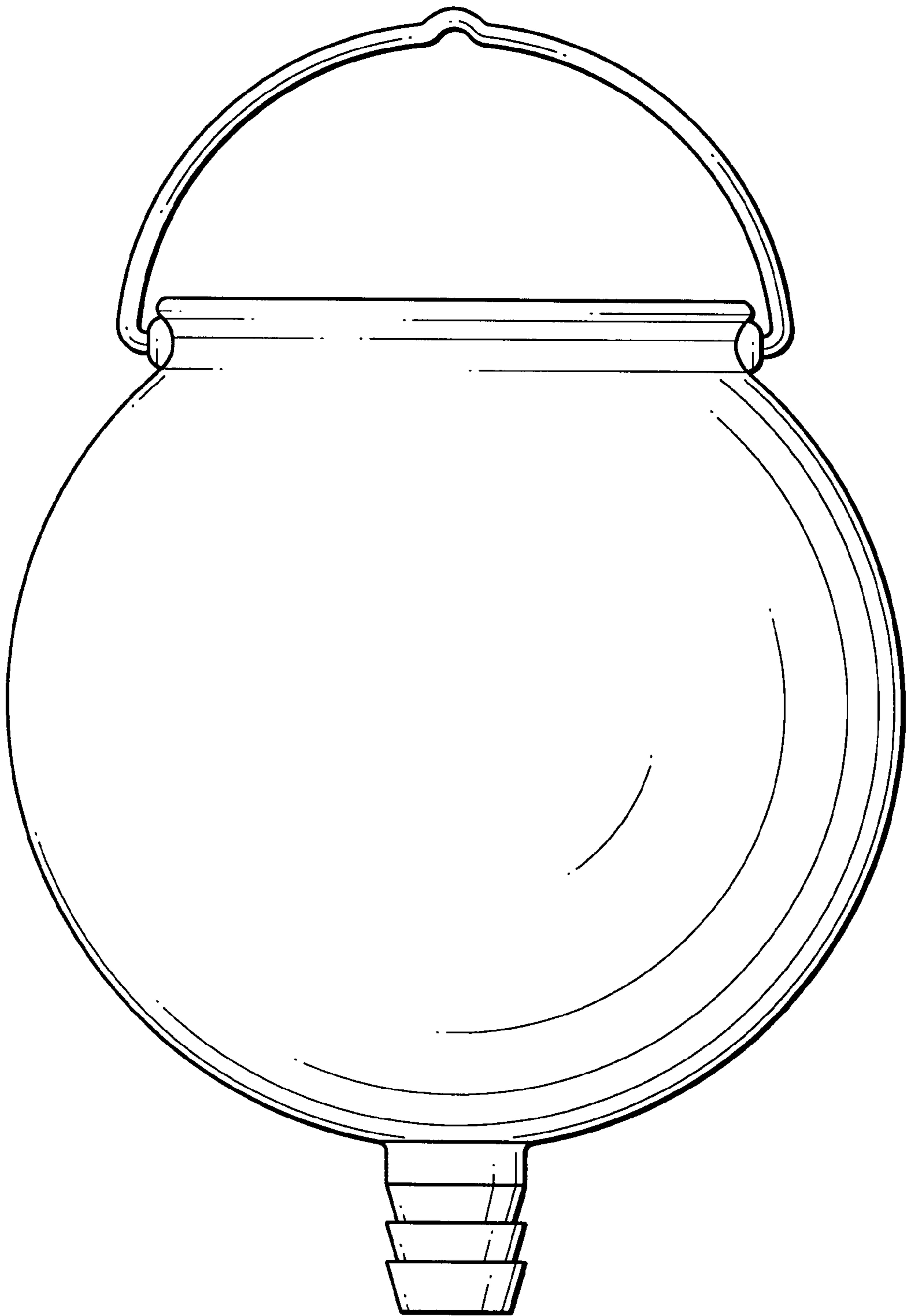


FIG. 2

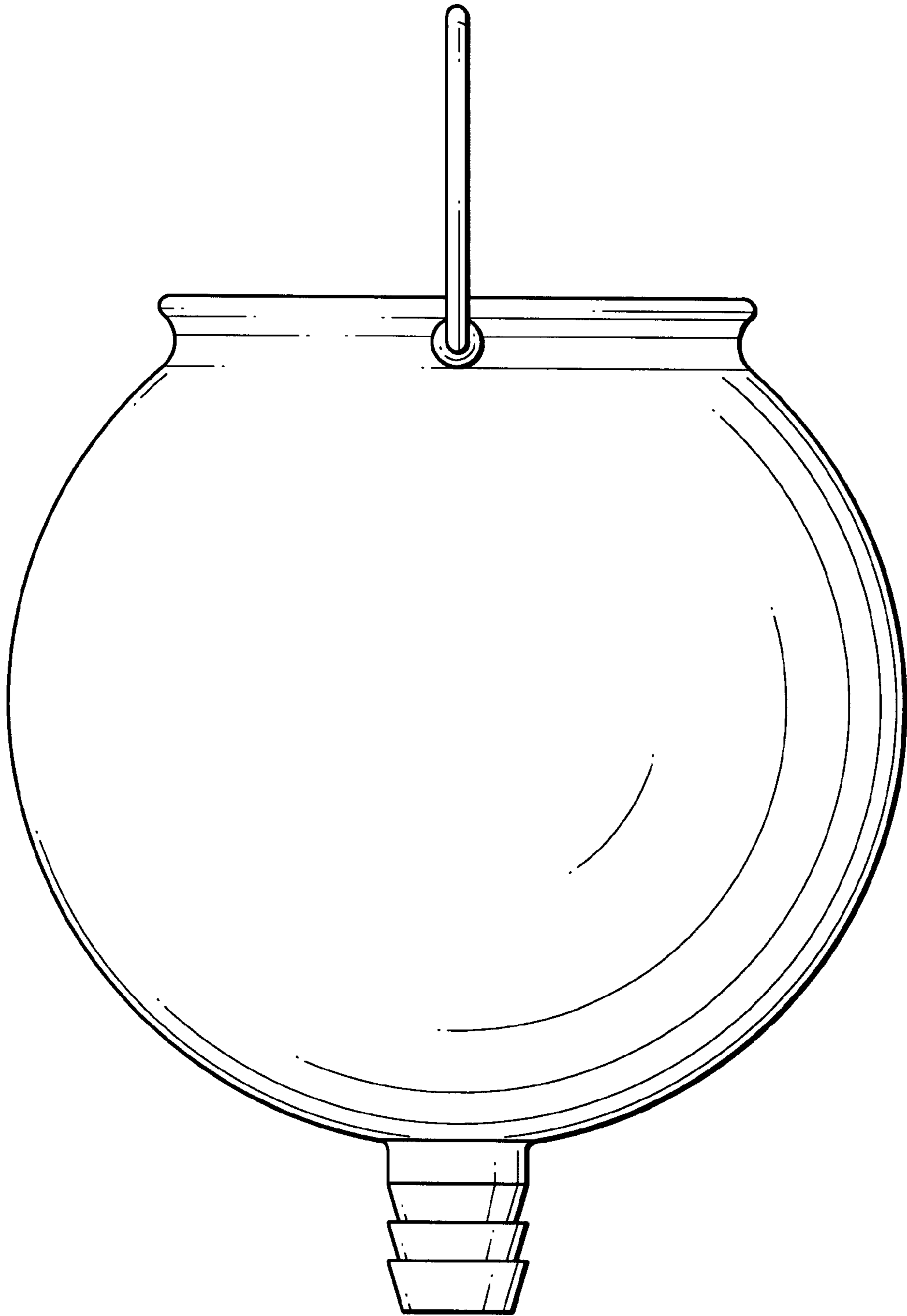


FIG. 3

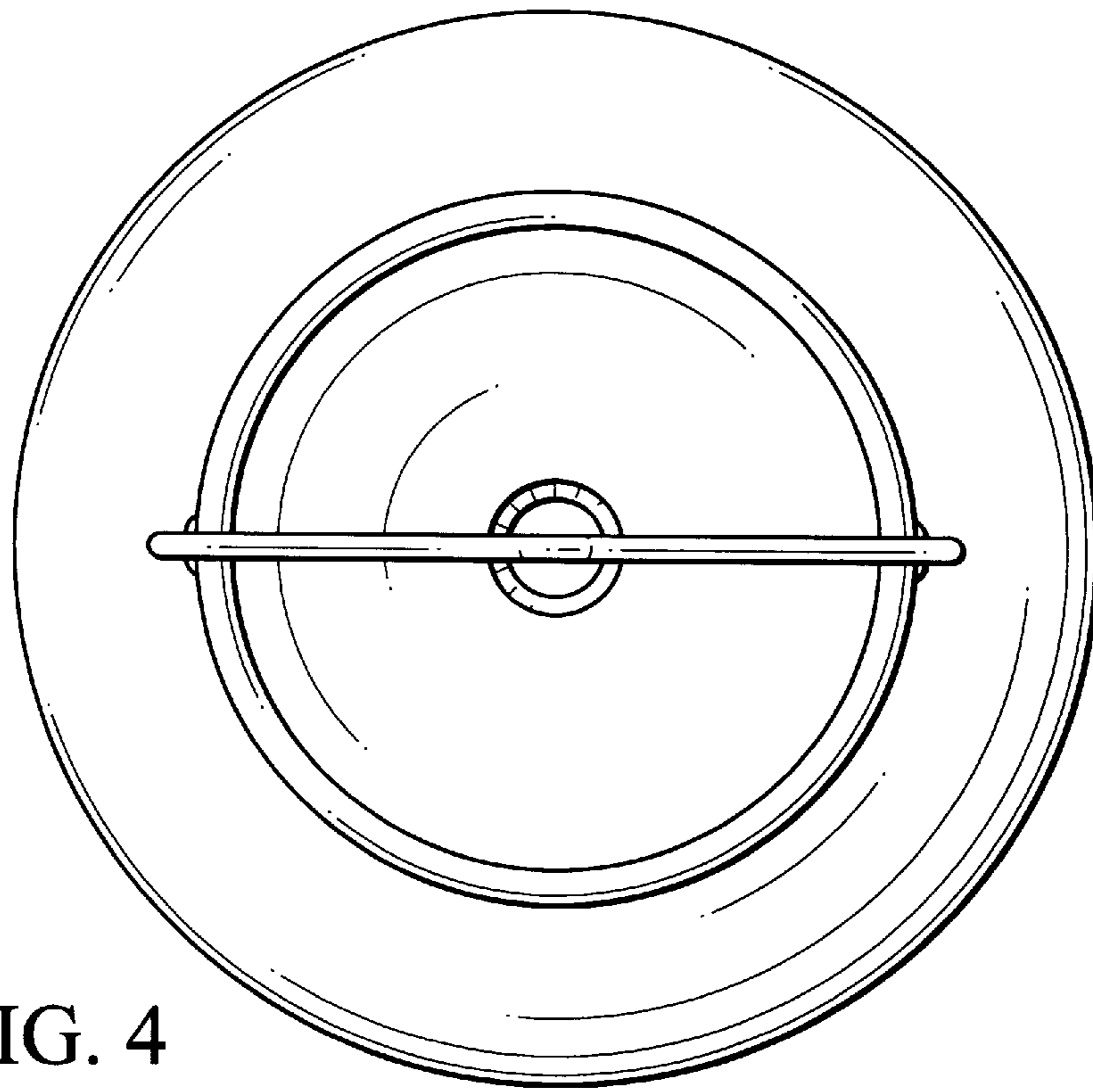


FIG. 4

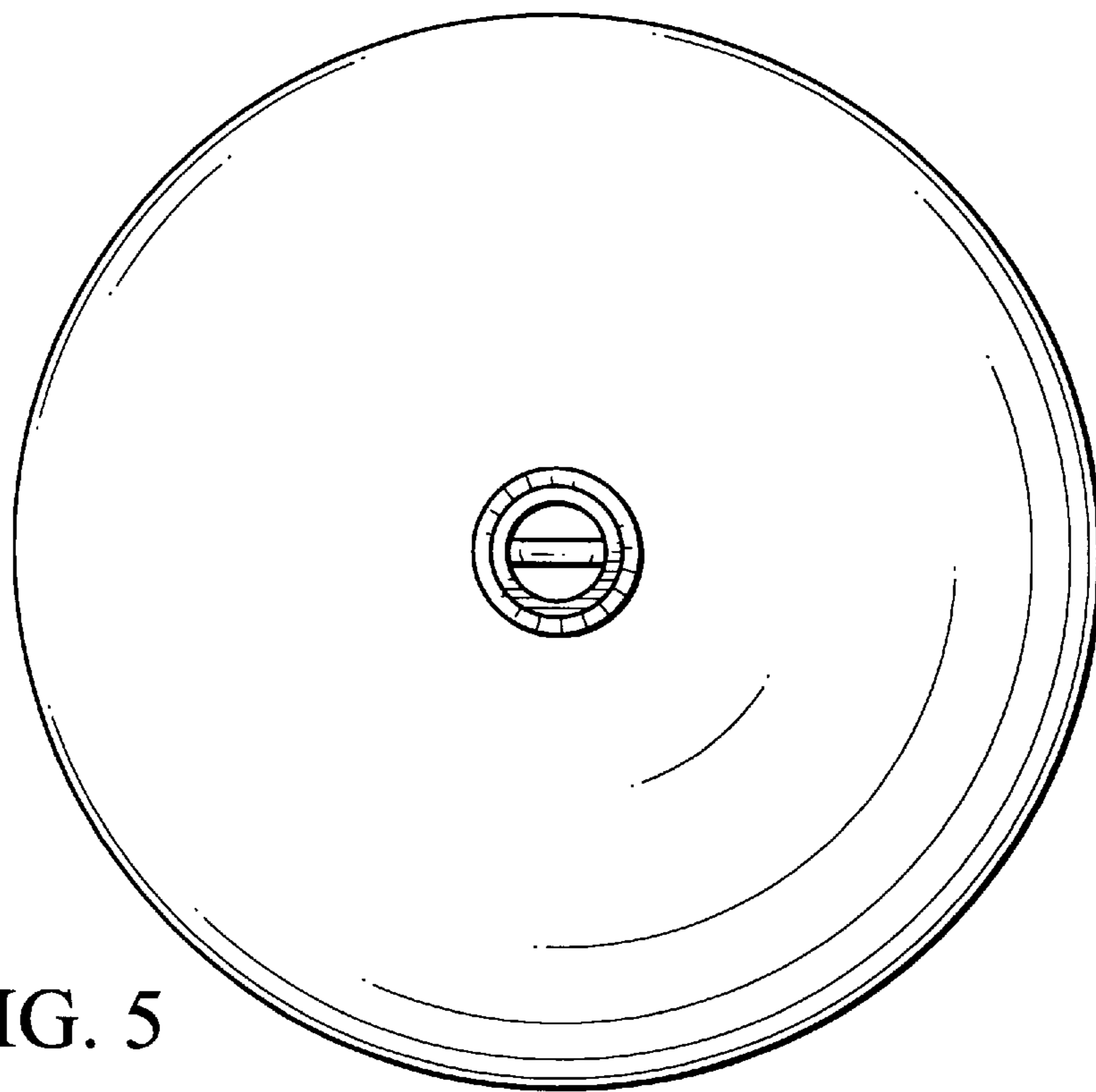


FIG. 5