



US00D465387S

(12) **United States Design Patent**  
**DuBow**

(10) **Patent No.:** **US D465,387 S**

(45) **Date of Patent:** **\*\* Nov. 12, 2002**

(54) **POURING FUNNEL FOR A BOTTLE**

(76) Inventor: **Stephen DuBow**, P.O. Box 7861,  
Newport Beach, CA (US) 92660

(\*\*) Term: **14 Years**

(21) Appl. No.: **29/151,675**

(22) Filed: **Nov. 13, 2001**

(51) **LOC (7) Cl.** ..... **07-99**

(52) **U.S. Cl.** ..... **D7/700**

(58) **Field of Search** ..... D7/700; D9/435,  
D9/450; 222/460-462, 481, 484, 479, 477,  
500, 520, 522, 525, 544, 562, 567

(56) **References Cited**

**U.S. PATENT DOCUMENTS**

3,422,998 A *	1/1969	Murray	.....	222/481
3,543,964 A *	12/1970	Schimmacher	.....	222/567 X
D240,716 S *	7/1976	Hegi	.....	D9/440
4,193,524 A	3/1980	Fleming		
D261,212 S *	10/1981	Mills	.....	D7/700
5,746,358 A *	5/1998	Crosby	.....	222/479

\* cited by examiner

*Primary Examiner*—Terry A. Wallace

(74) *Attorney, Agent, or Firm*—George F. Bethel

(57) **CLAIM**

I claim the ornamental design for a pouring funnel for a bottle, as shown and described.

**DESCRIPTION**

FIG. 1 shows a perspective view of my invention for a pouring funnel for a bottle.

FIG. 2 is a front elevation view.

FIG. 3 is a side elevation view looking from the left side of FIG. 1.

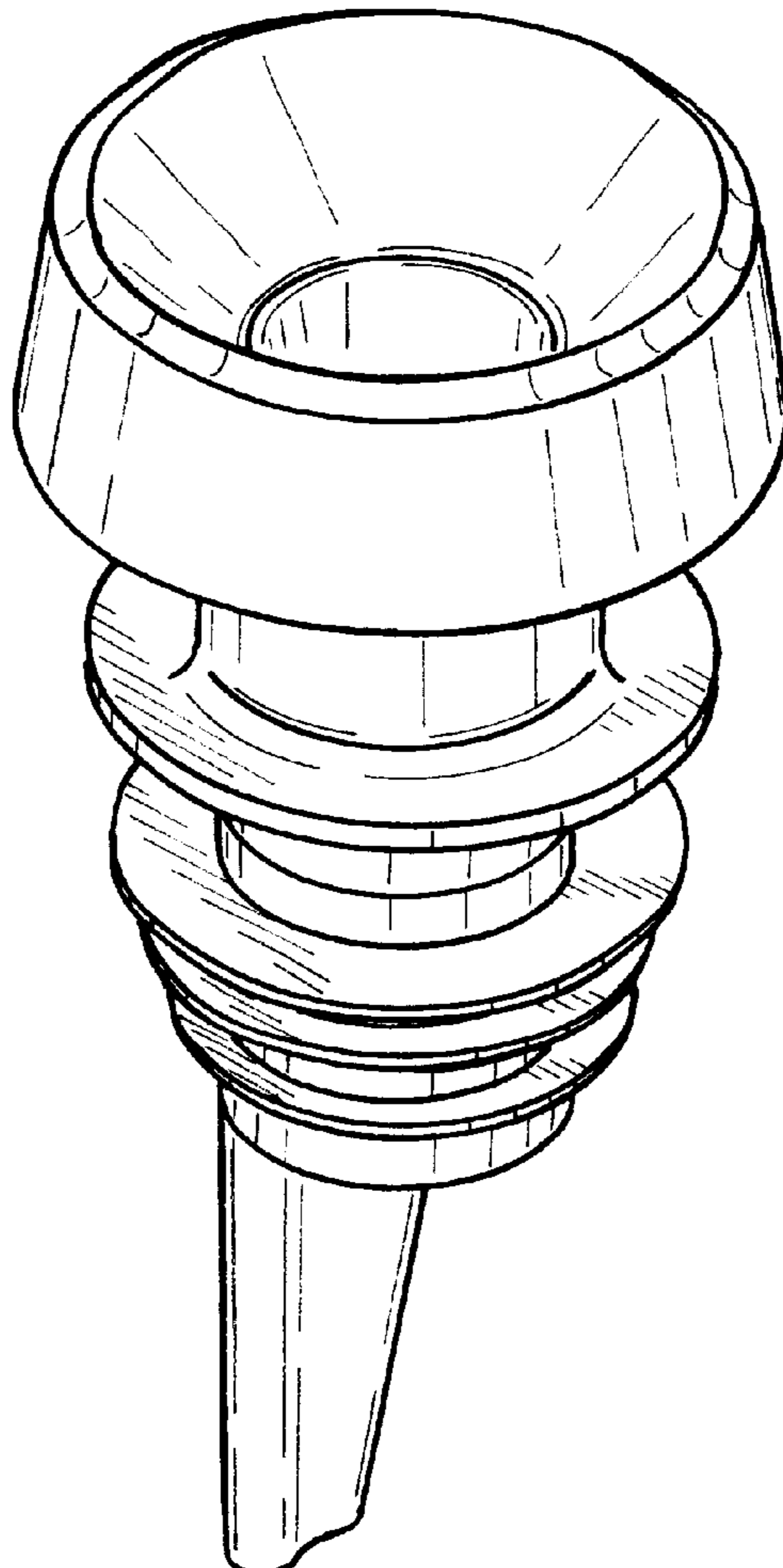
FIG. 4 is a top plan view.

FIG. 5 is a side elevation view looking from the right side of FIG. 1 opposite from that from FIG. 3.

FIG. 6 is a rear elevation view opposite that shown in FIG. 2; and,

FIG. 7 is a bottom plan view looking upwardly.

**1 Claim, 2 Drawing Sheets**



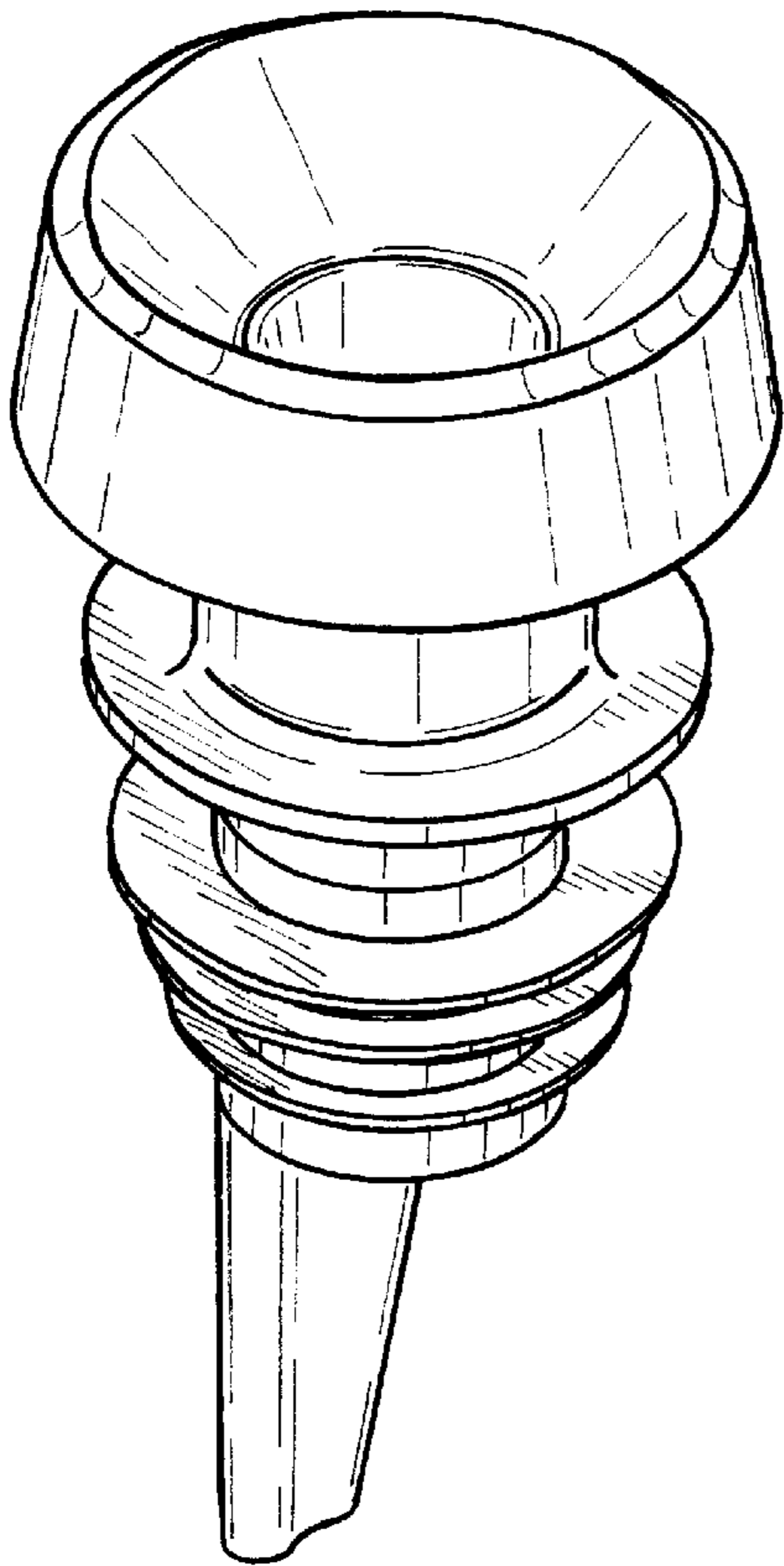


FIG. 1

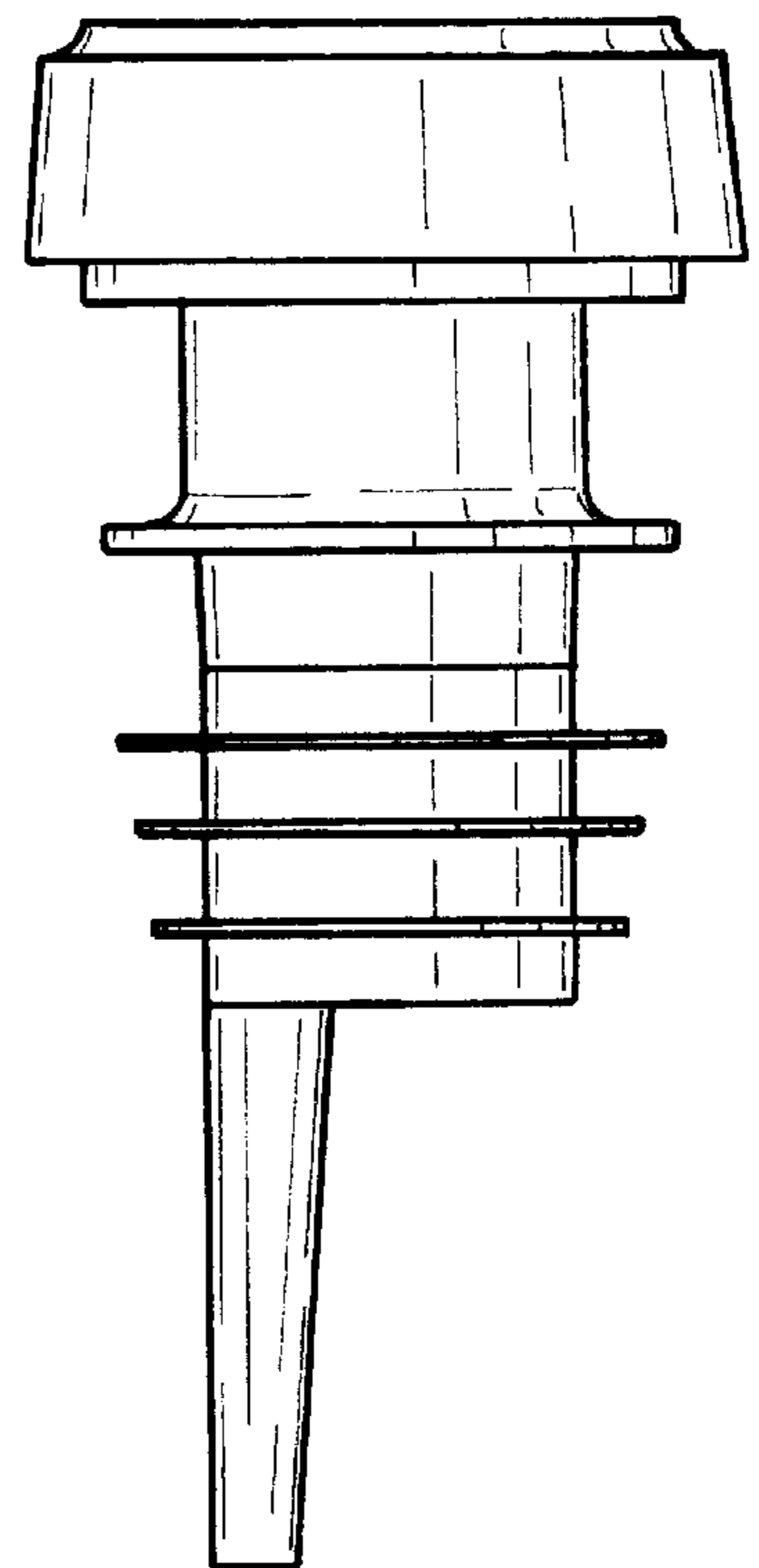


FIG. 3

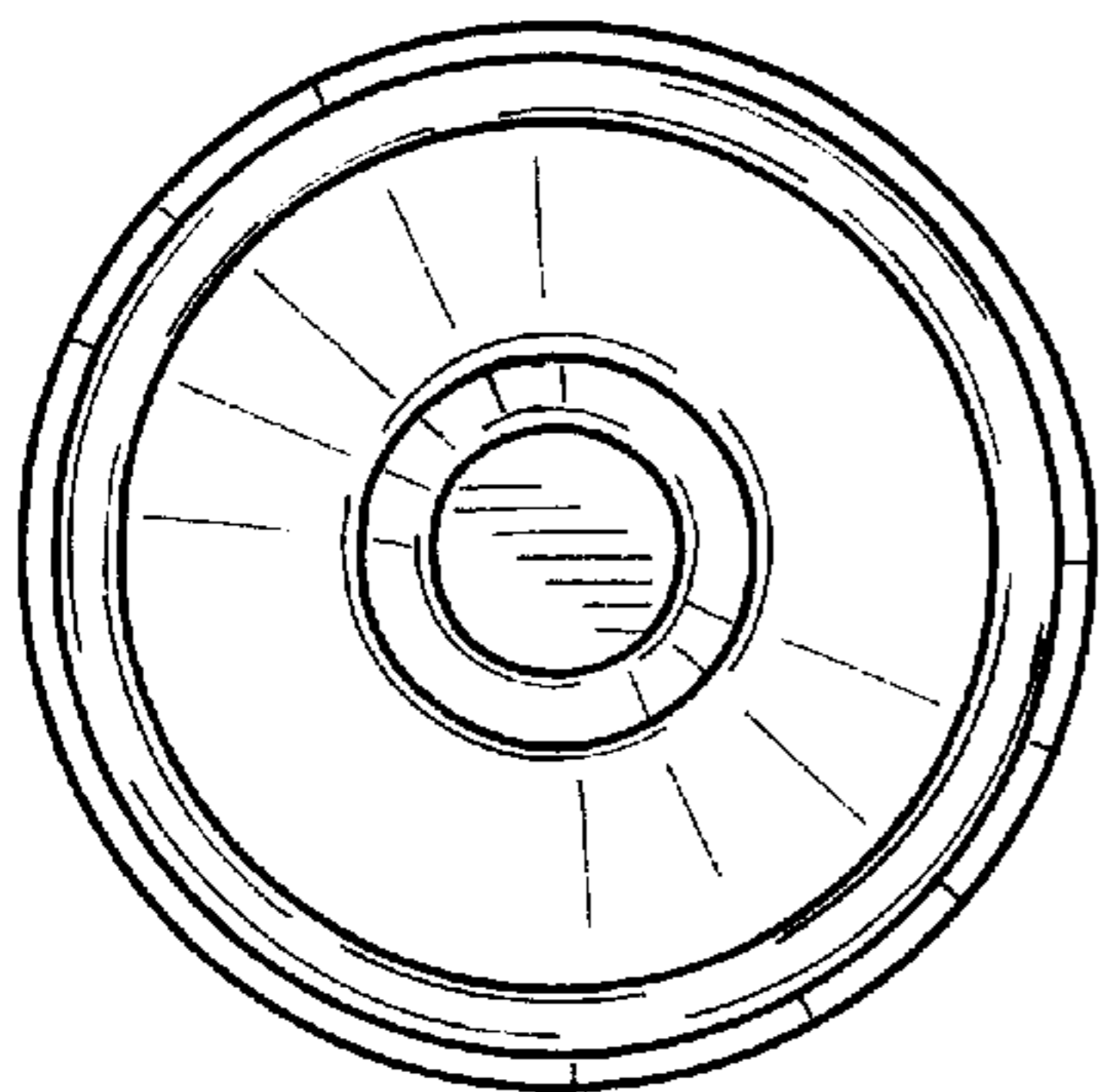


FIG. 4

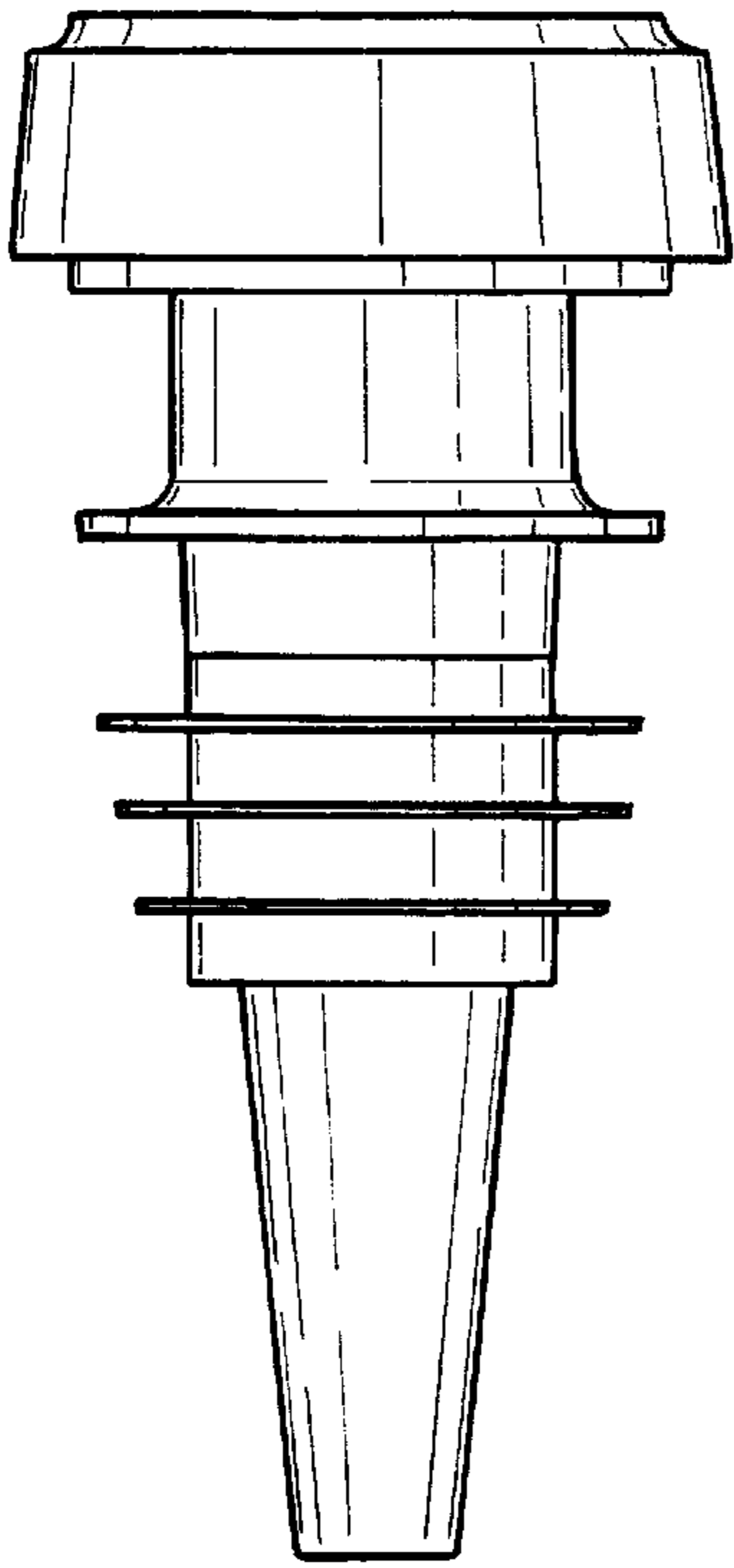


FIG. 2

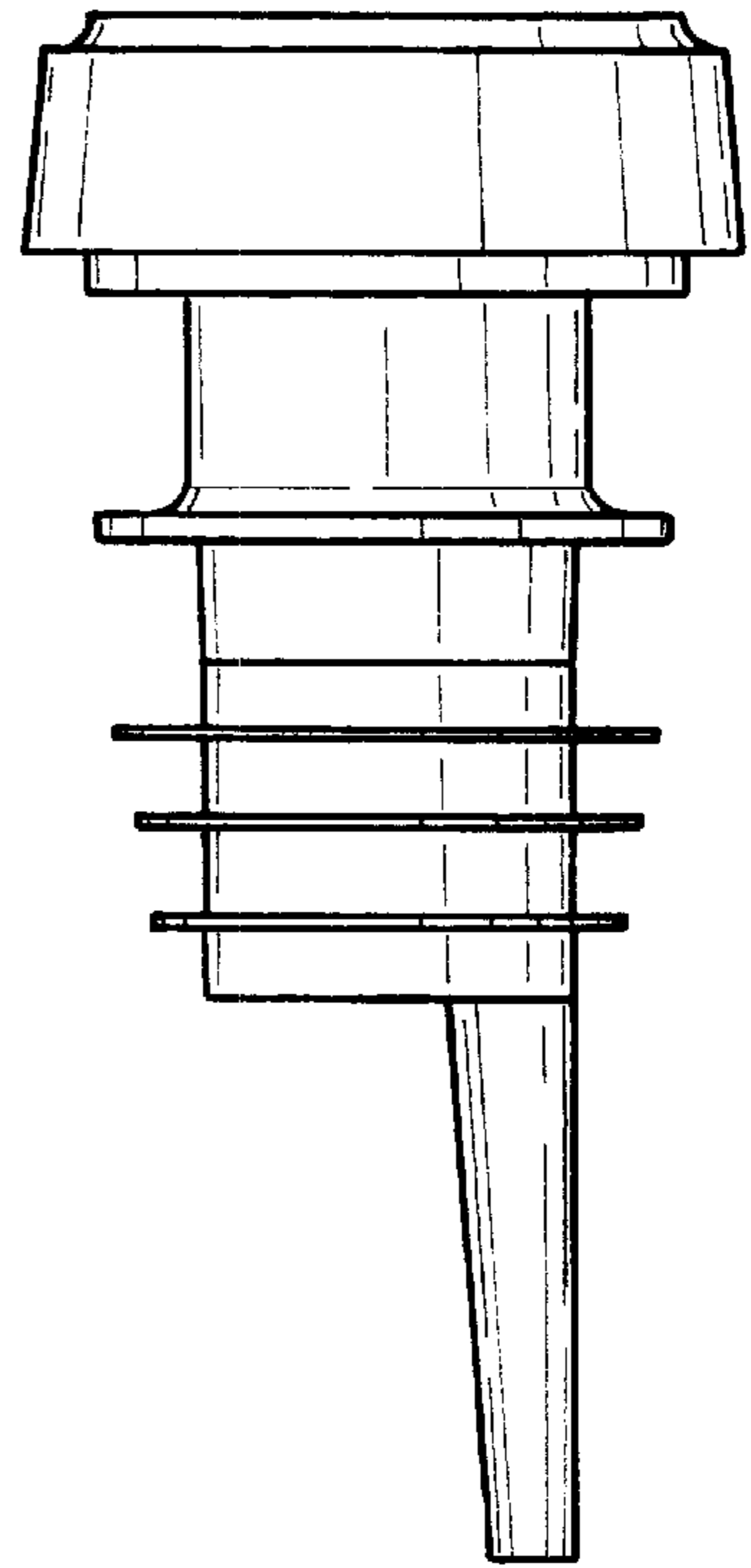


FIG. 5

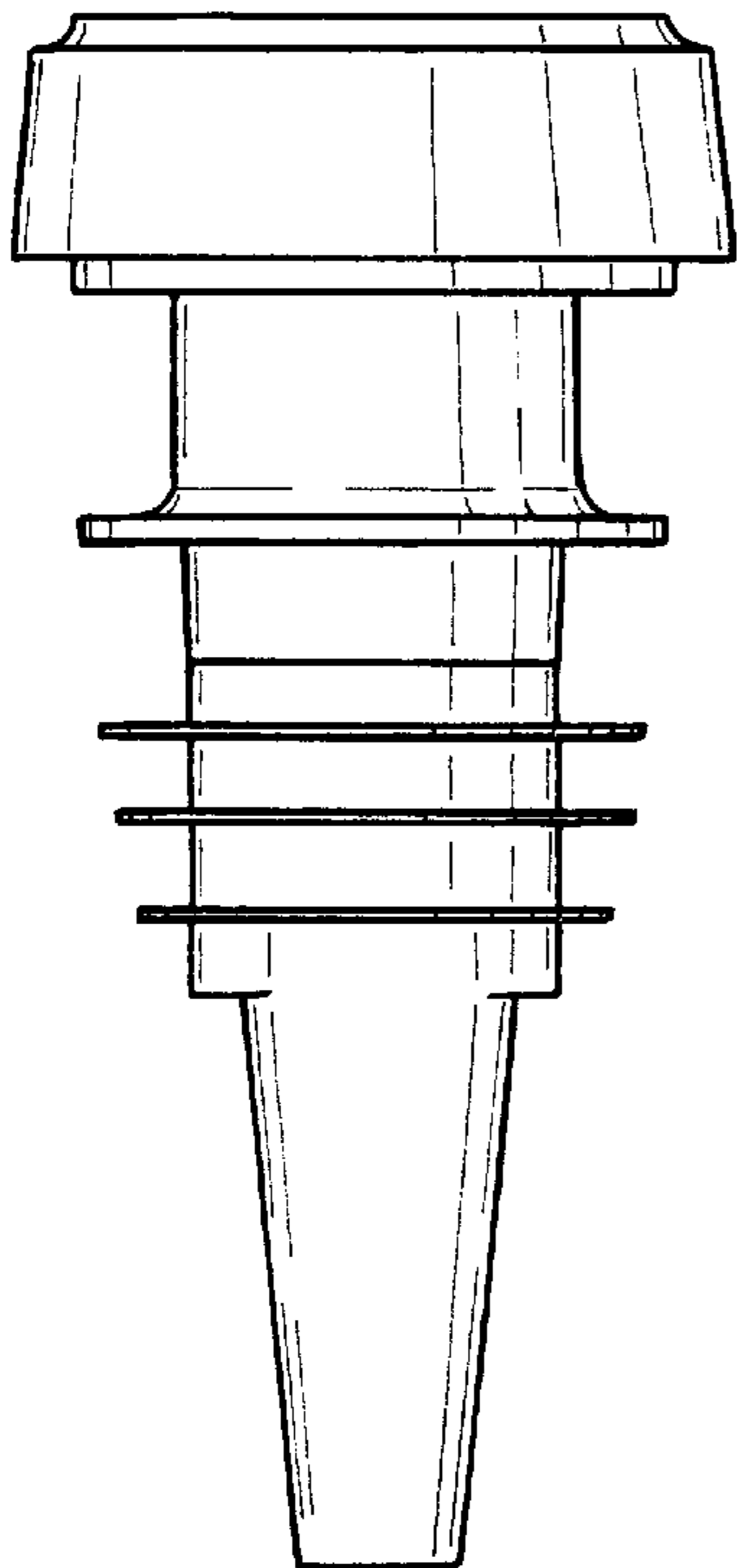


FIG. 6

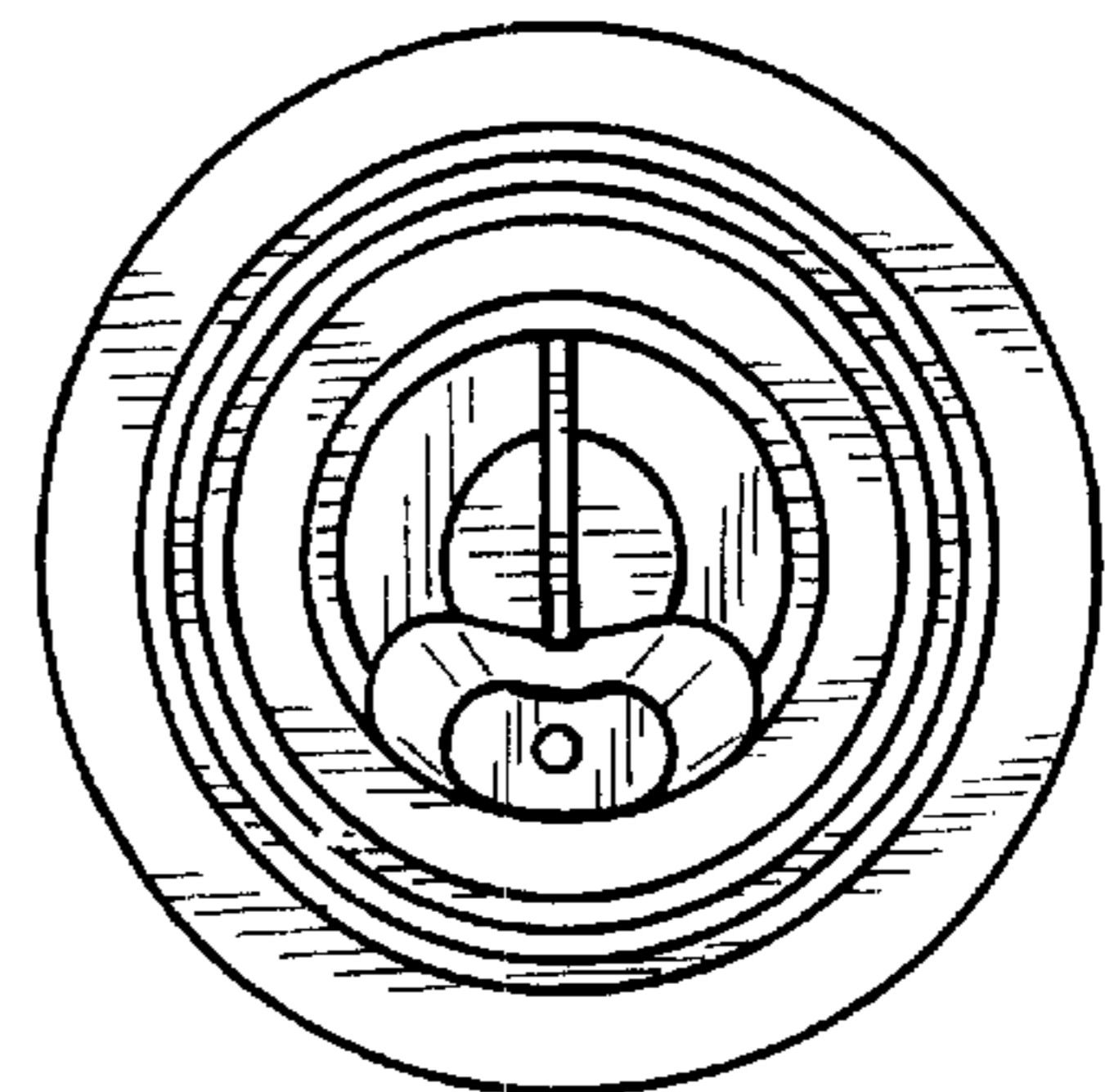


FIG. 7