



US00D465386S

(12) **United States Design Patent**
Wang et al.

(10) **Patent No.: US D465,386 S**
(45) **Date of Patent: ** Nov. 12, 2002**

(54) **JUICER**

(75) Inventors: **Nigel Wang**, Taipei (TW); **Alison A. Roach**, Schaumburg, IL (US); **Bruce Odessky**, Vernon Hills, IL (US)

(73) Assignee: **The Pampered Chef, Ltd.**, Addison, IL (US)

(**) Term: **14 Years**

(21) Appl. No.: **29/144,688**

(22) Filed: **Jul. 9, 2001**

(51) **LOC (7) Cl.** **07-04**

(52) **U.S. Cl.** **D7/665**

(58) **Field of Search** D7/665, 666, 372-374;
99/495, 501-508; 100/107, 213

(56) **References Cited**

U.S. PATENT DOCUMENTS

279,989 A	6/1883	Steinhorst	
1,266,030 A	5/1918	Lins	
1,698,860 A	1/1929	Ulrich	
1,747,641 A	2/1930	Morris	
1,757,609 A	5/1930	Beardsley et al.	
1,957,346 A	5/1934	Larson	
1,994,576 A	3/1935	Dean	
D141,788 S	7/1945	Quam	
D251,405 S *	3/1979	Ackeret D7/665
5,088,392 A *	2/1992	Ancona et al. 99/505 X
5,275,307 A	1/1994	Freese	
D379,744 S *	6/1997	Thackray D7/665

* cited by examiner

Primary Examiner—Terry A. Wallace
(74) *Attorney, Agent, or Firm*—Olson & Hierl, Ltd.

(57) **CLAIM**

The ornamental design for a juicer, as shown and described.

DESCRIPTION

FIG. 1 is a perspective view of the inventive design;

FIG. 2 is a side elevational view of the design of FIG. 1;
 FIG. 3 is an opposite side elevational view of the design of FIG. 1;
 FIG. 4 is a top plan view of the design of FIG. 1;
 FIG. 5 is a bottom plan view of the design of FIG. 1;
 FIG. 6 is an end elevational view of the design of FIG. 1; and
 FIG. 7 is an opposite end elevational view of the design of FIG. 1.
 FIG. 8 is a perspective view of an extractor component of the inventive design;
 FIG. 9 is a side elevational view of the design of FIG. 8;
 FIG. 10 is an opposite side elevational view of the design of FIG. 8;
 FIG. 11 is a top plan view of the design of FIG. 8;
 FIG. 12 is a bottom plan view of the design of FIG. 8;
 FIG. 13 is an end view of the design of FIG. 8;
 FIG. 14 is an opposite end view of the design of FIG. 8;
 FIG. 15 is a perspective view of a reservoir component of the inventive design;
 FIG. 16 is a side elevational view of the design of FIG. 15;
 FIG. 17 is an opposite side elevational view of the design of FIG. 15;
 FIG. 18 is a top plan view of the design of FIG. 15;
 FIG. 19 is a bottom plan view of the design of FIG. 15;
 FIG. 20 is an end view of the design of FIG. 15;
 FIG. 21 is an opposite end view of the design of FIG. 15; and,
 FIG. 22 is a partial cross-sectional view of the design of FIG. 15.

The extractor component and reservoir component are shown separately in FIGS. 8-22 for clarity of illustration.

1 Claim, 9 Drawing Sheets

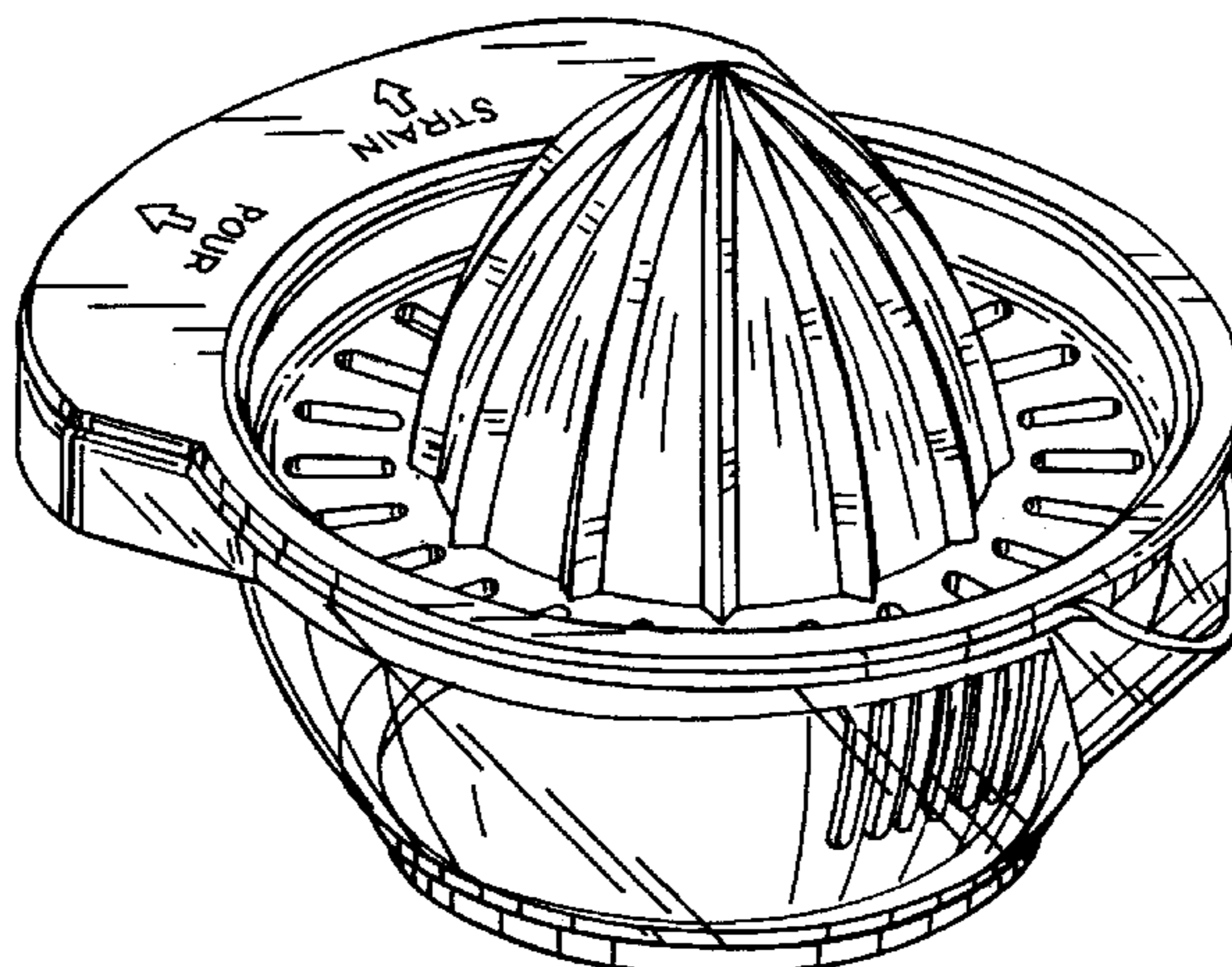


FIG. 1

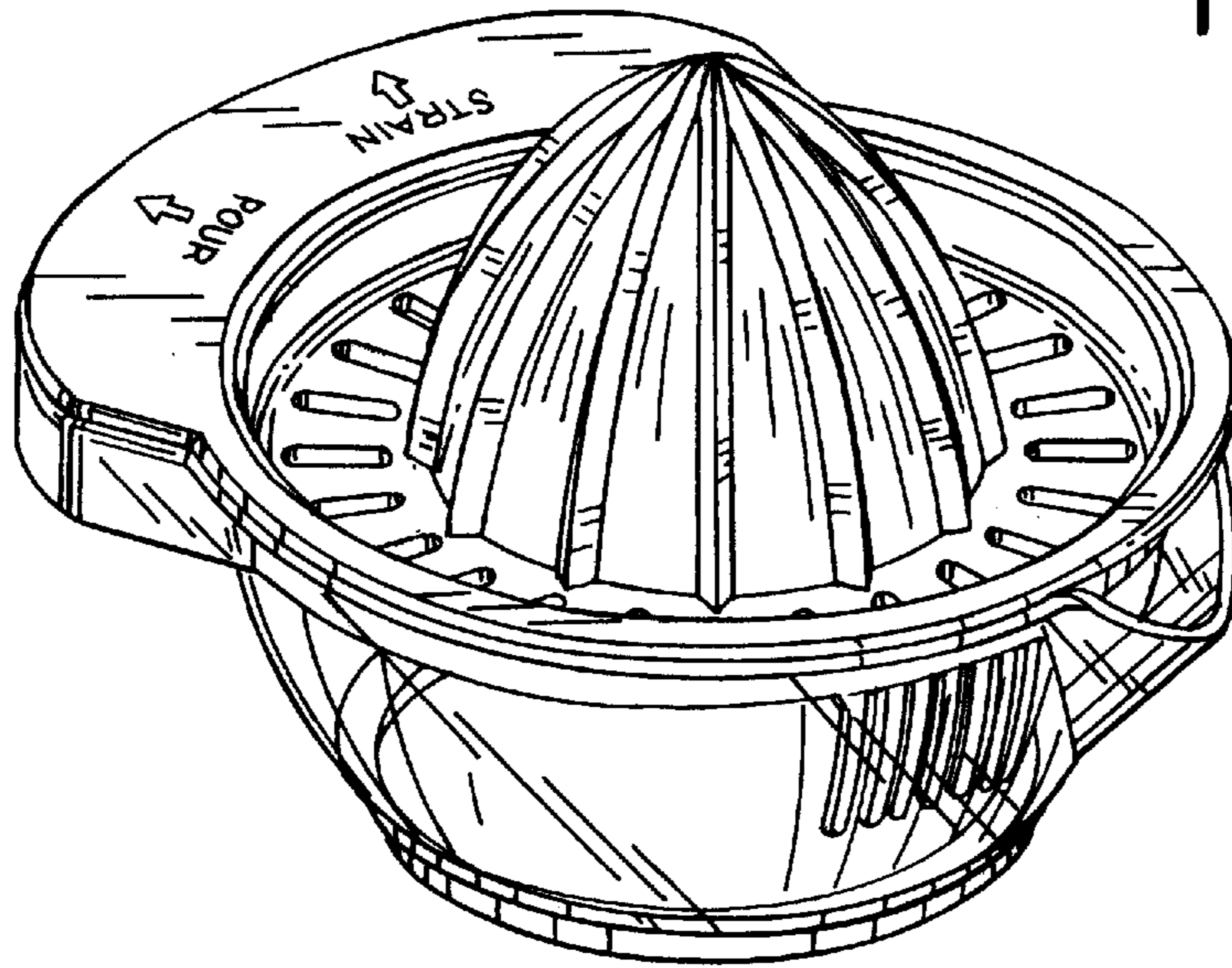


FIG. 2

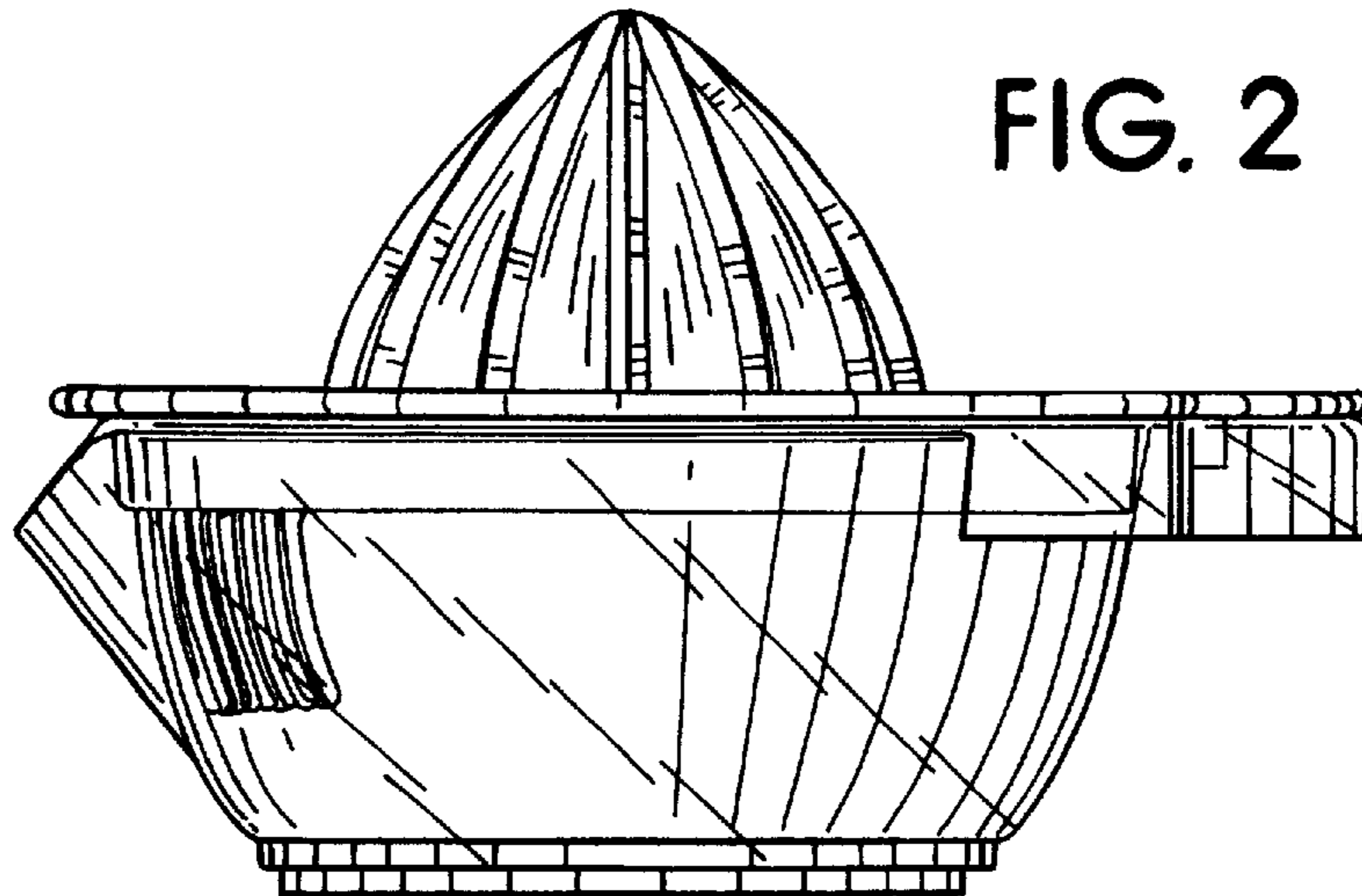


FIG. 3

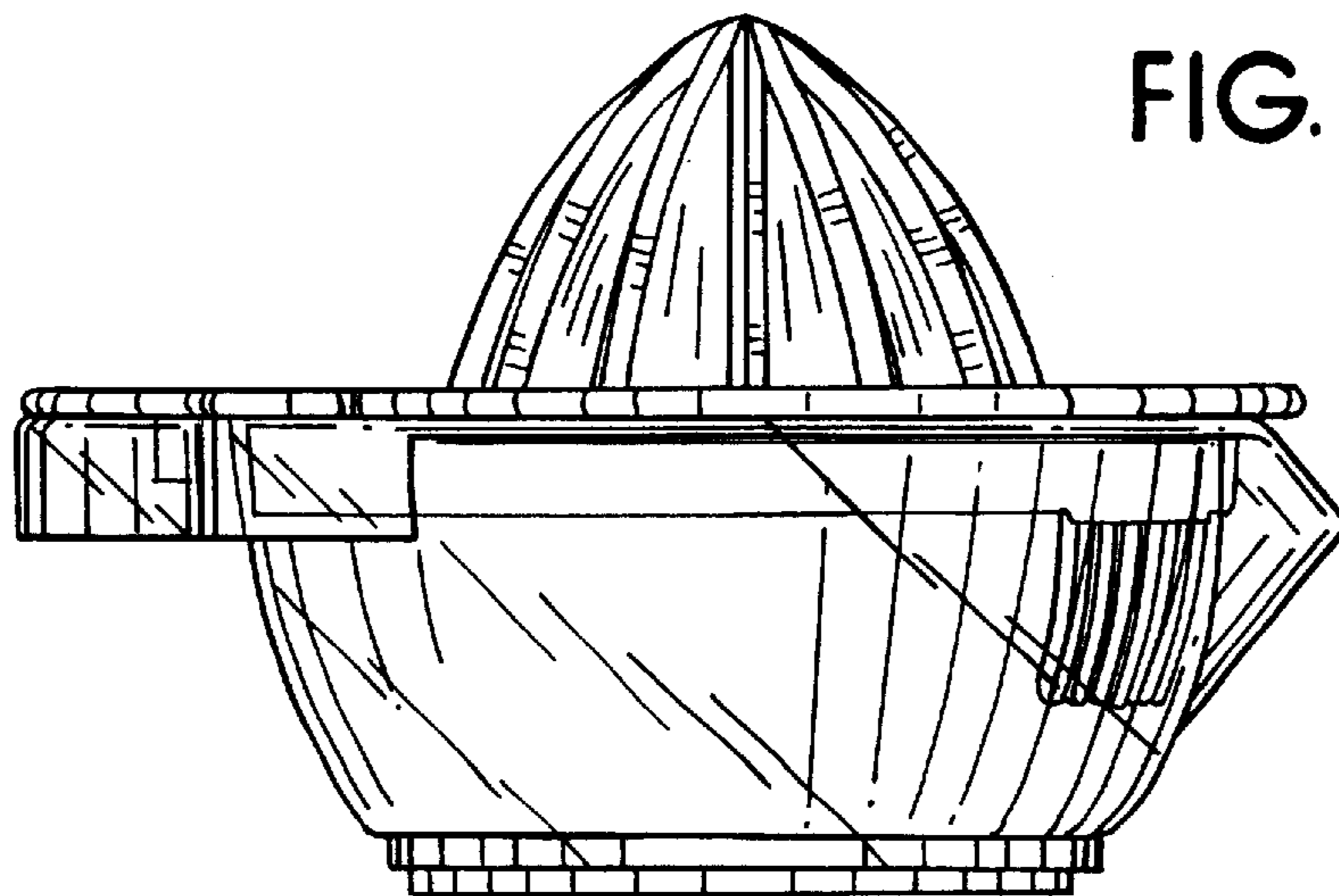


FIG. 4

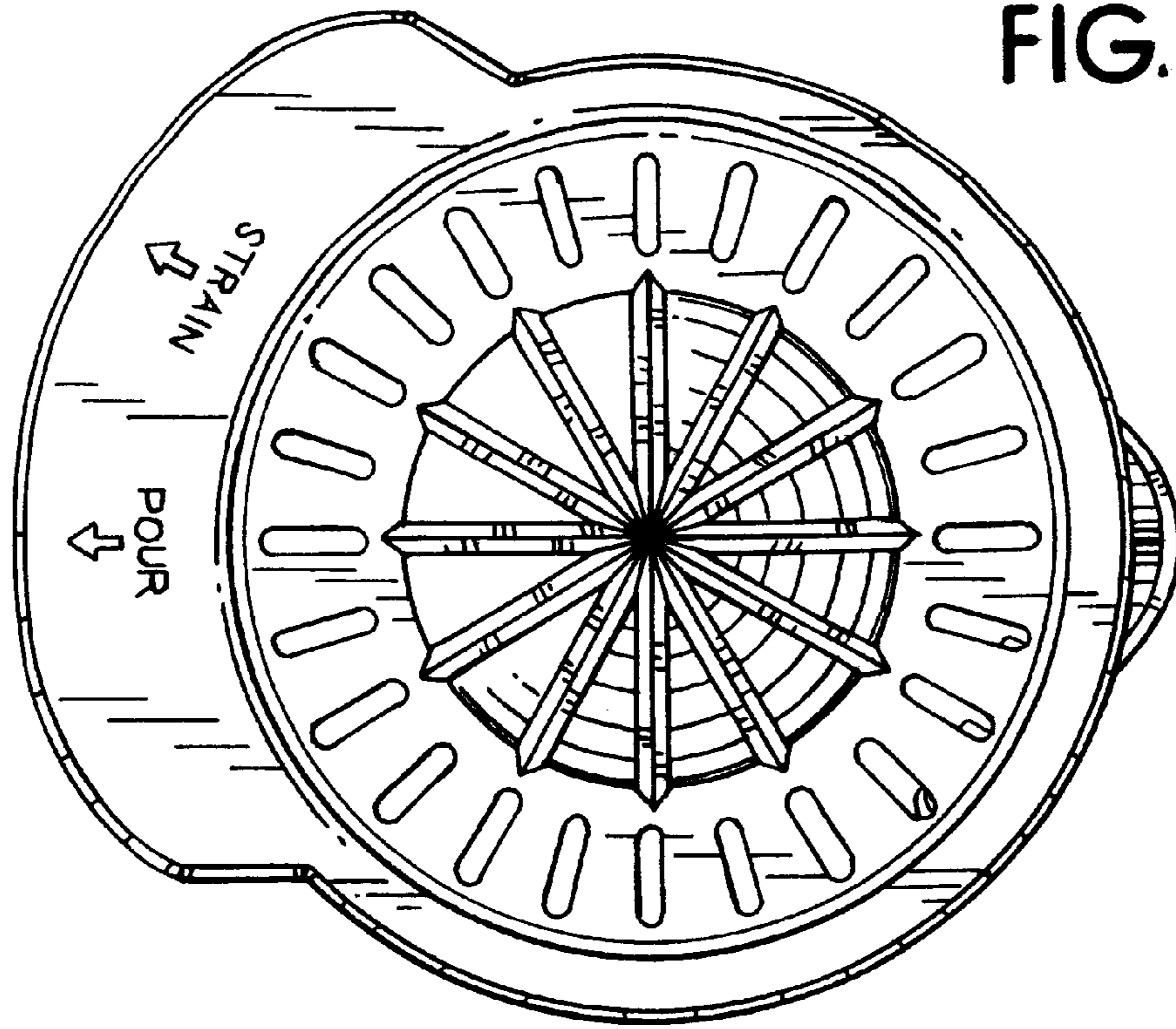


FIG. 5

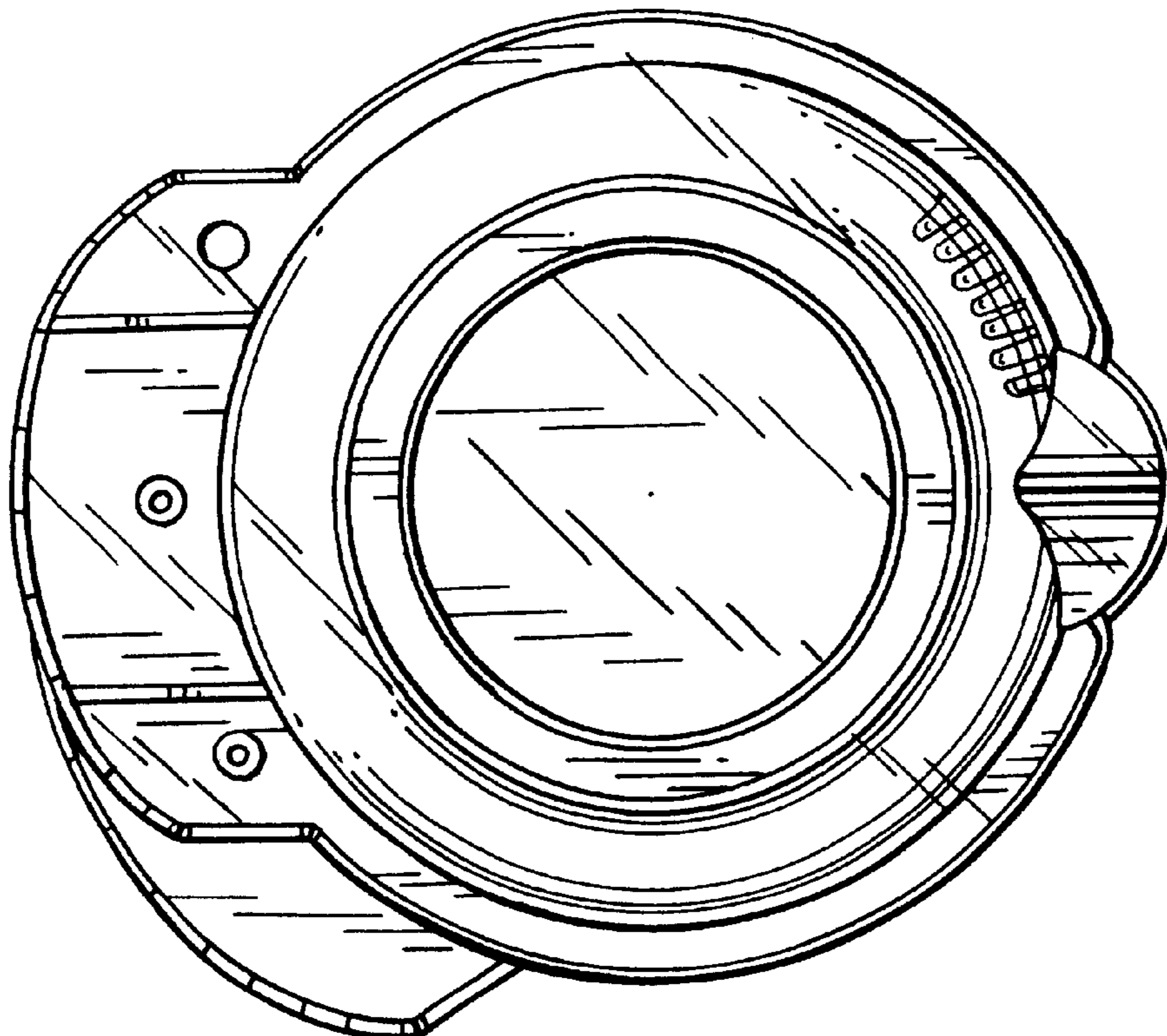


FIG. 6

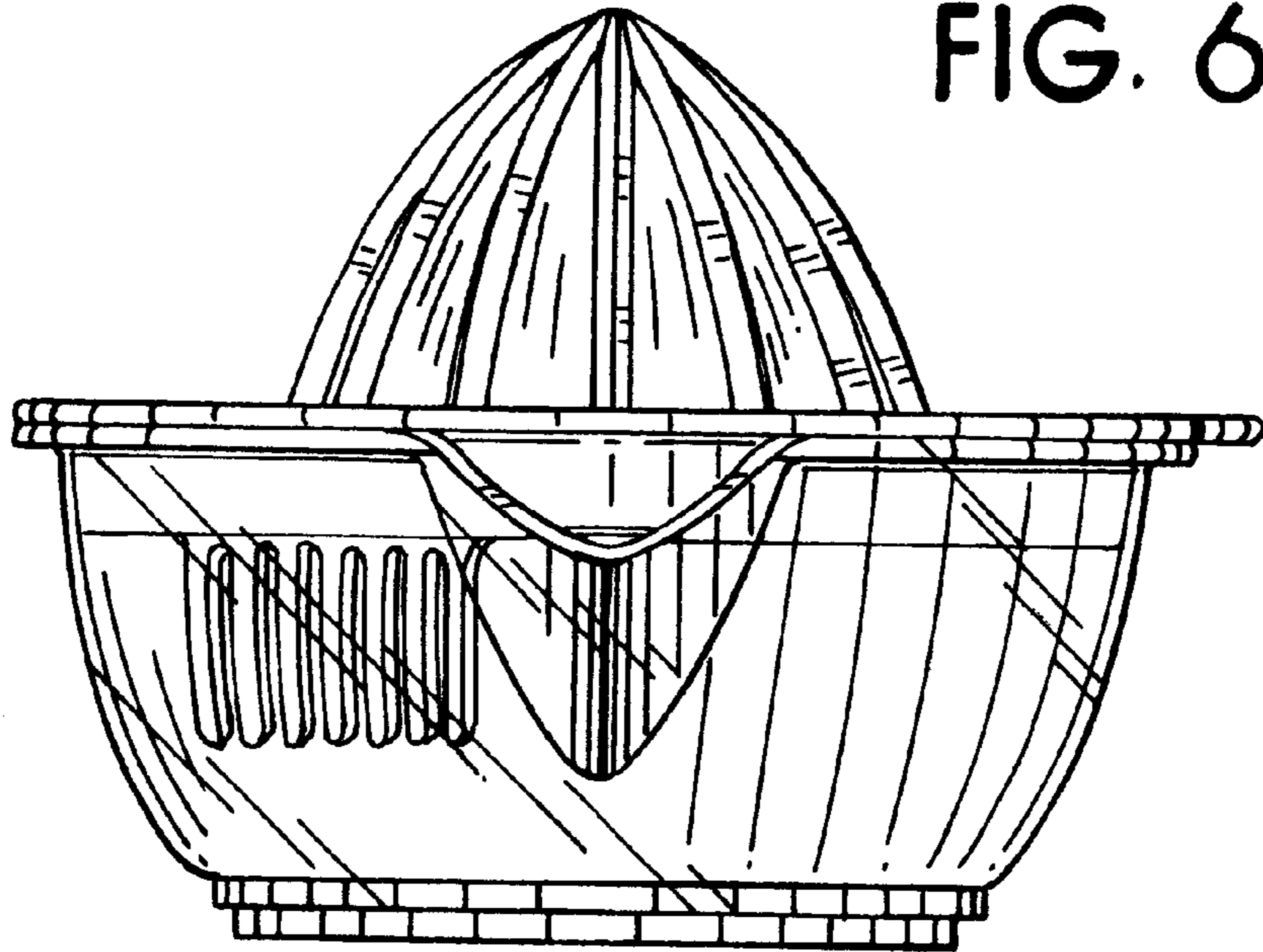


FIG. 7

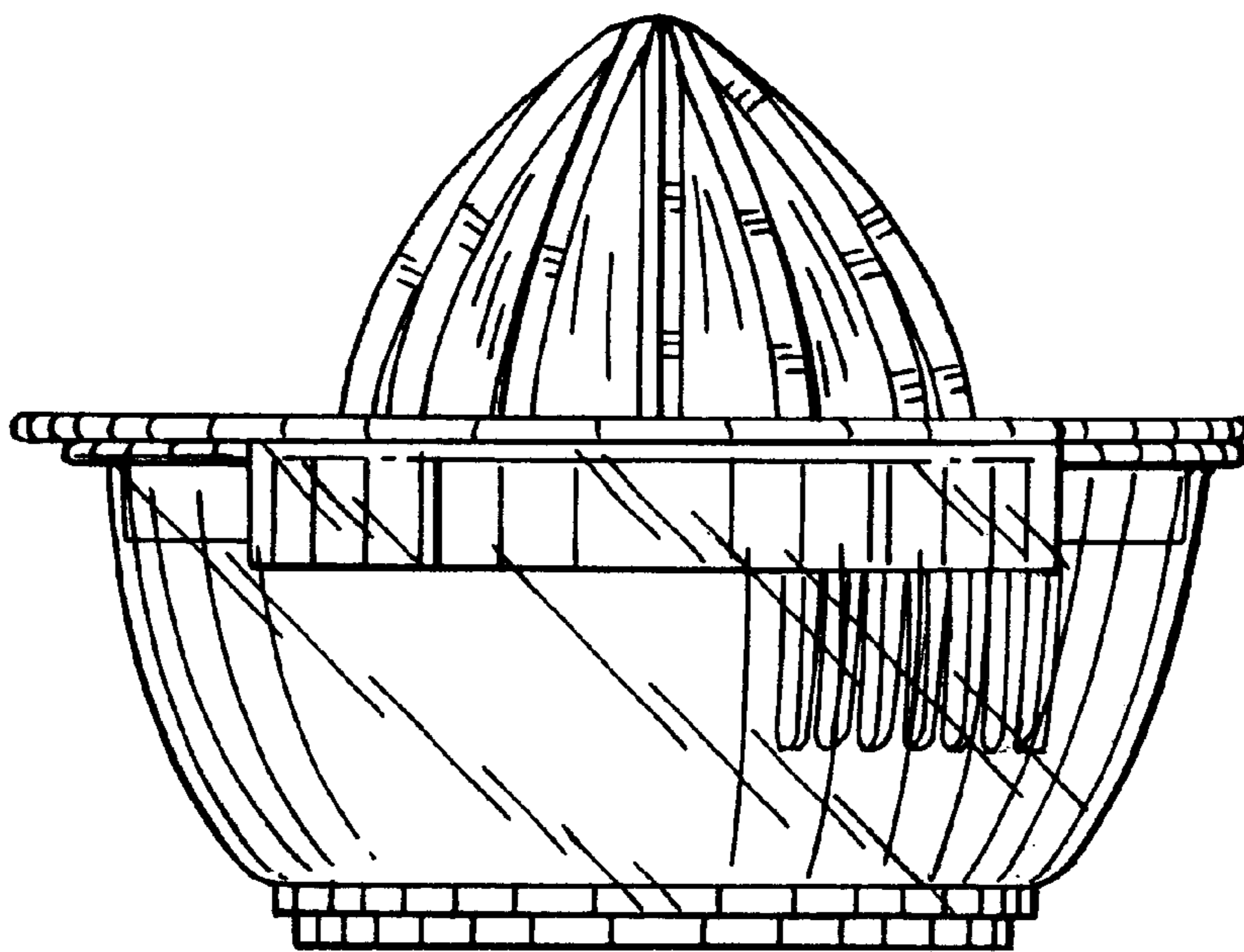


FIG. 8

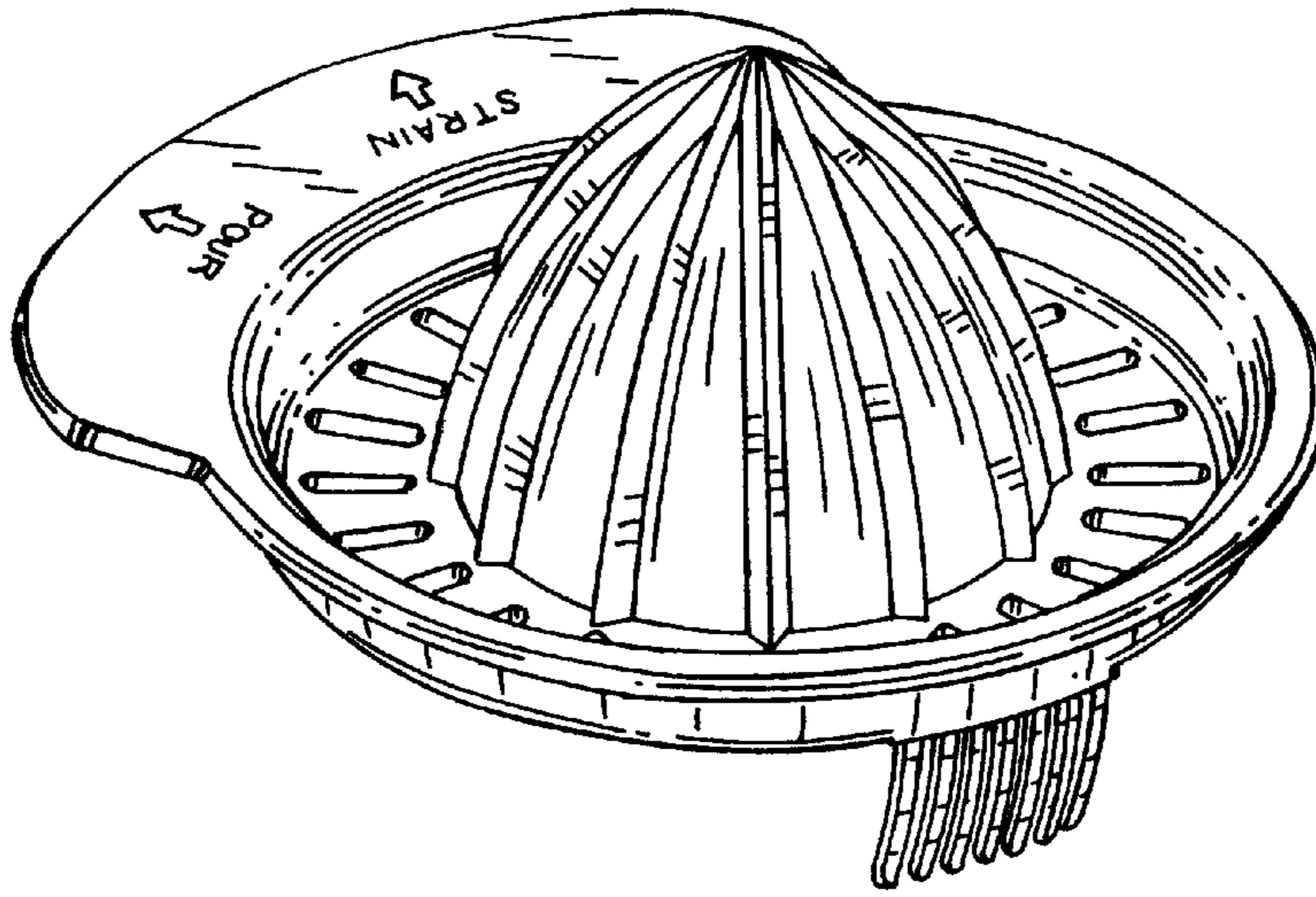


FIG. 9

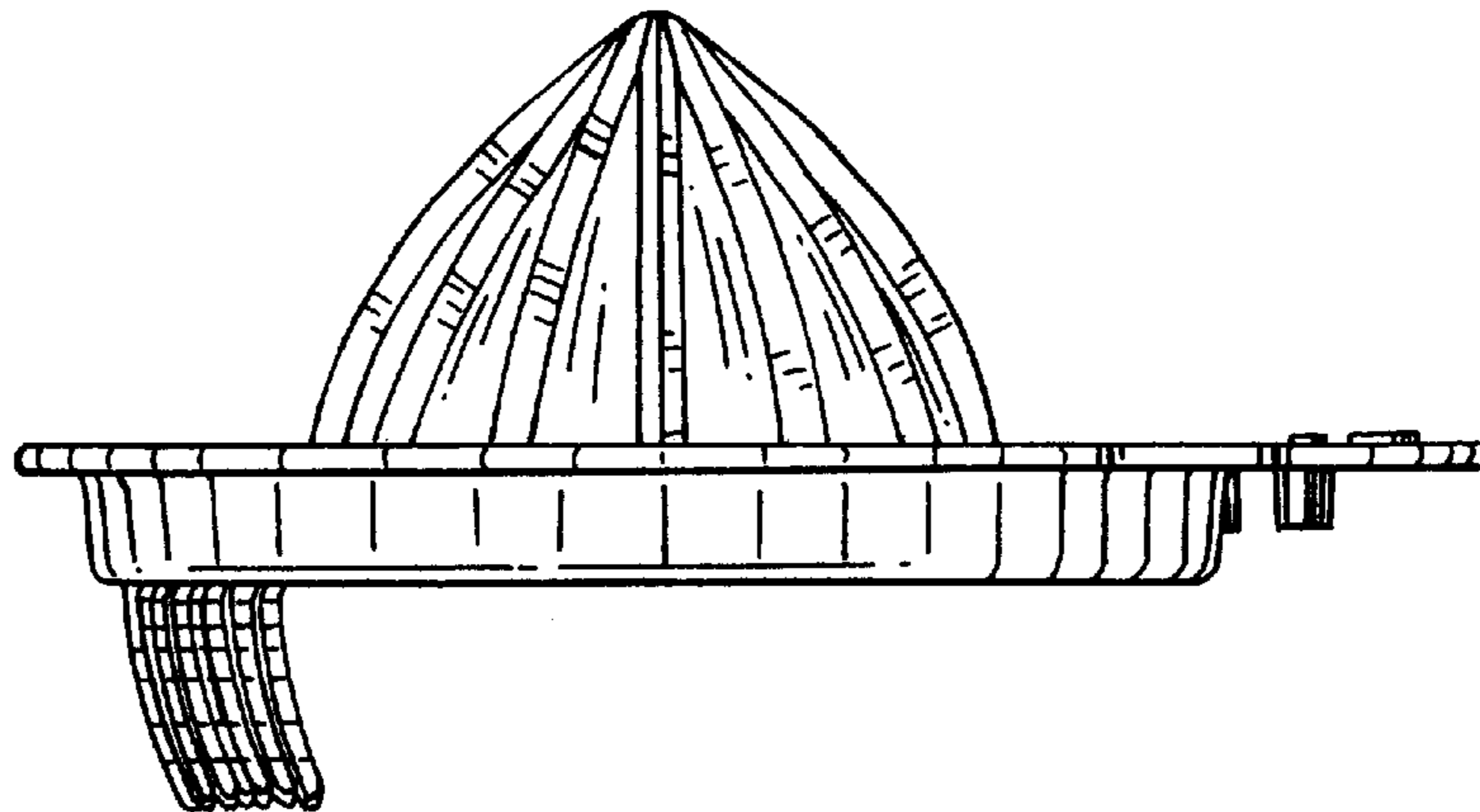


FIG. 10

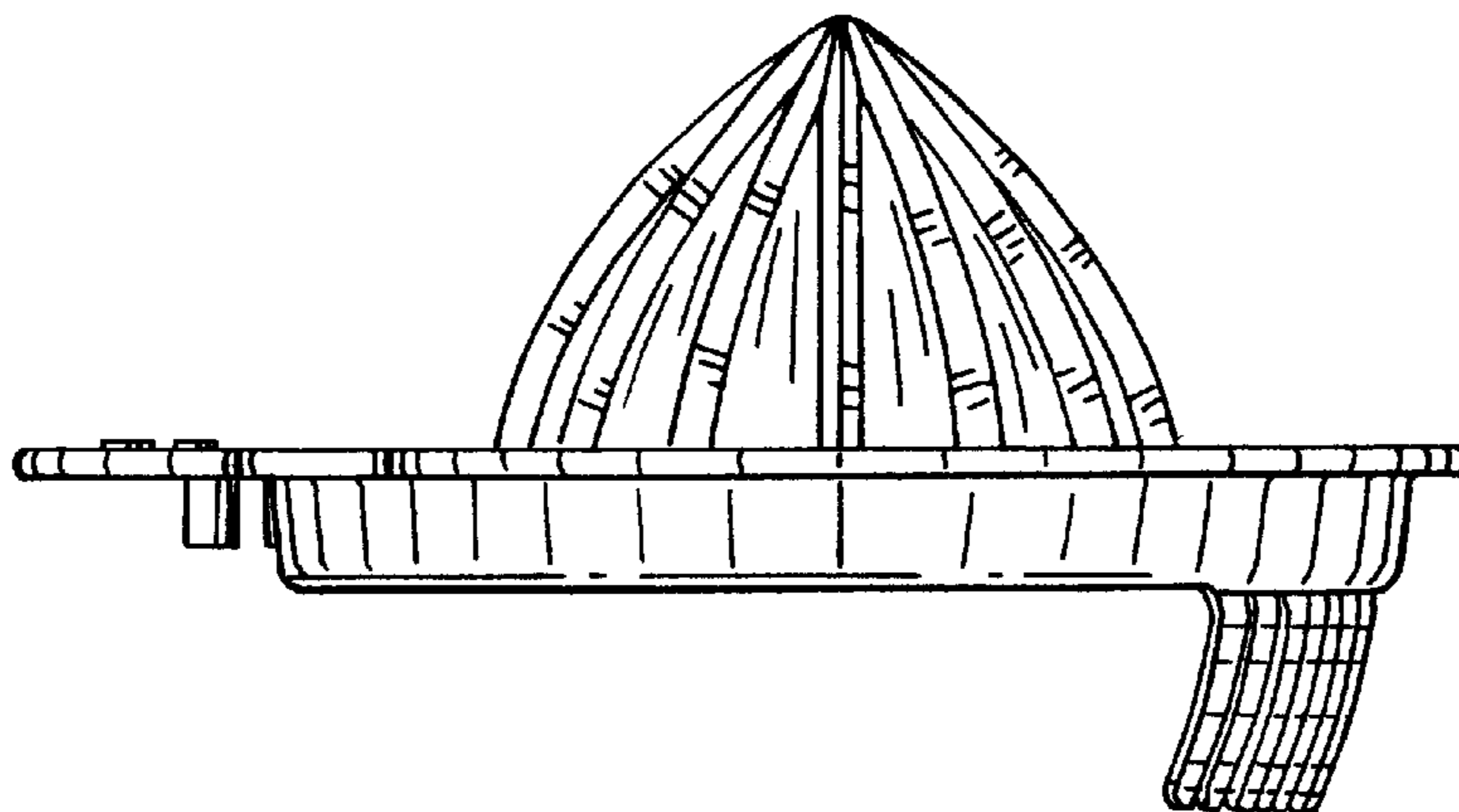


FIG. 11

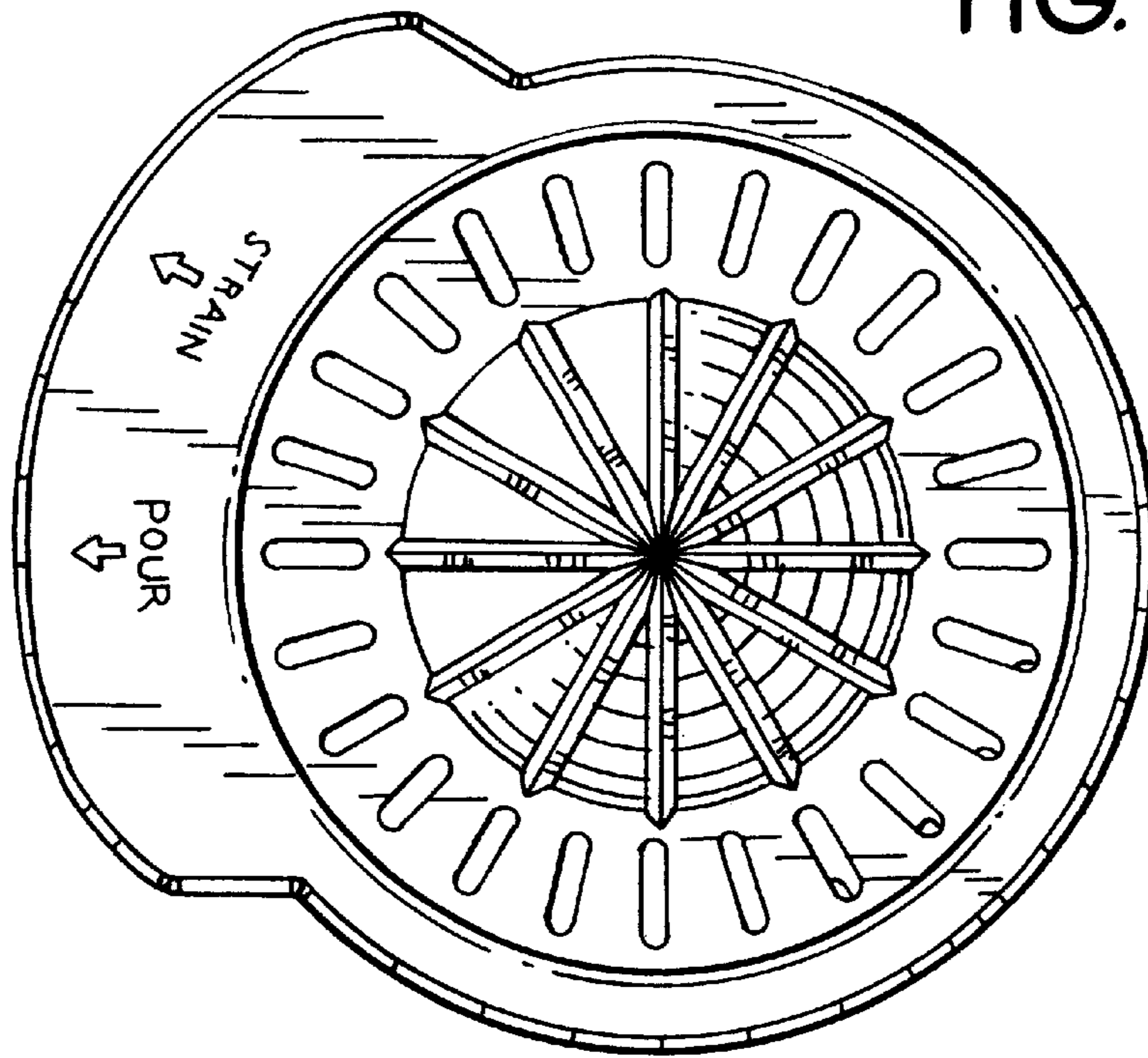


FIG. 12

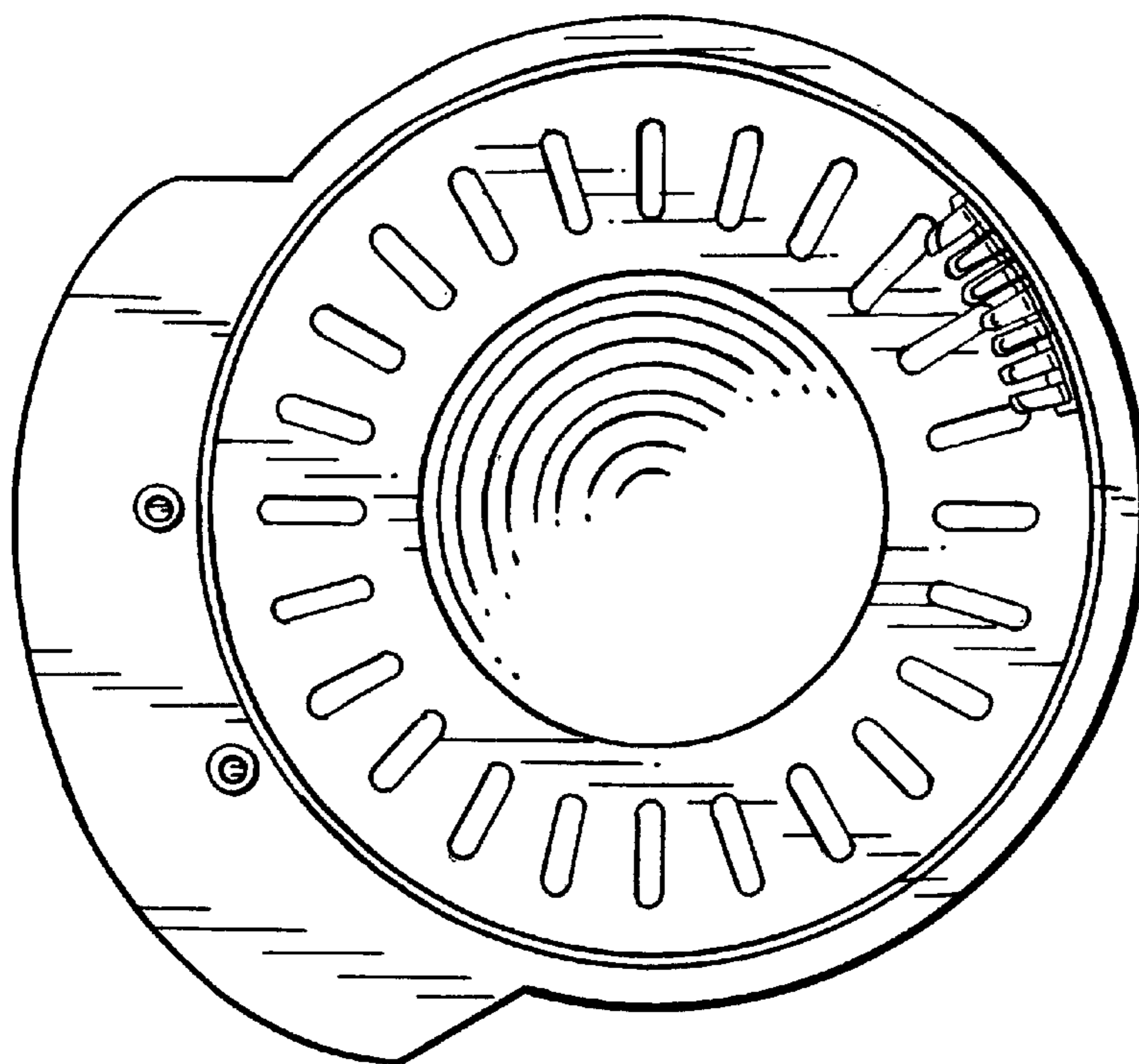


FIG. 13

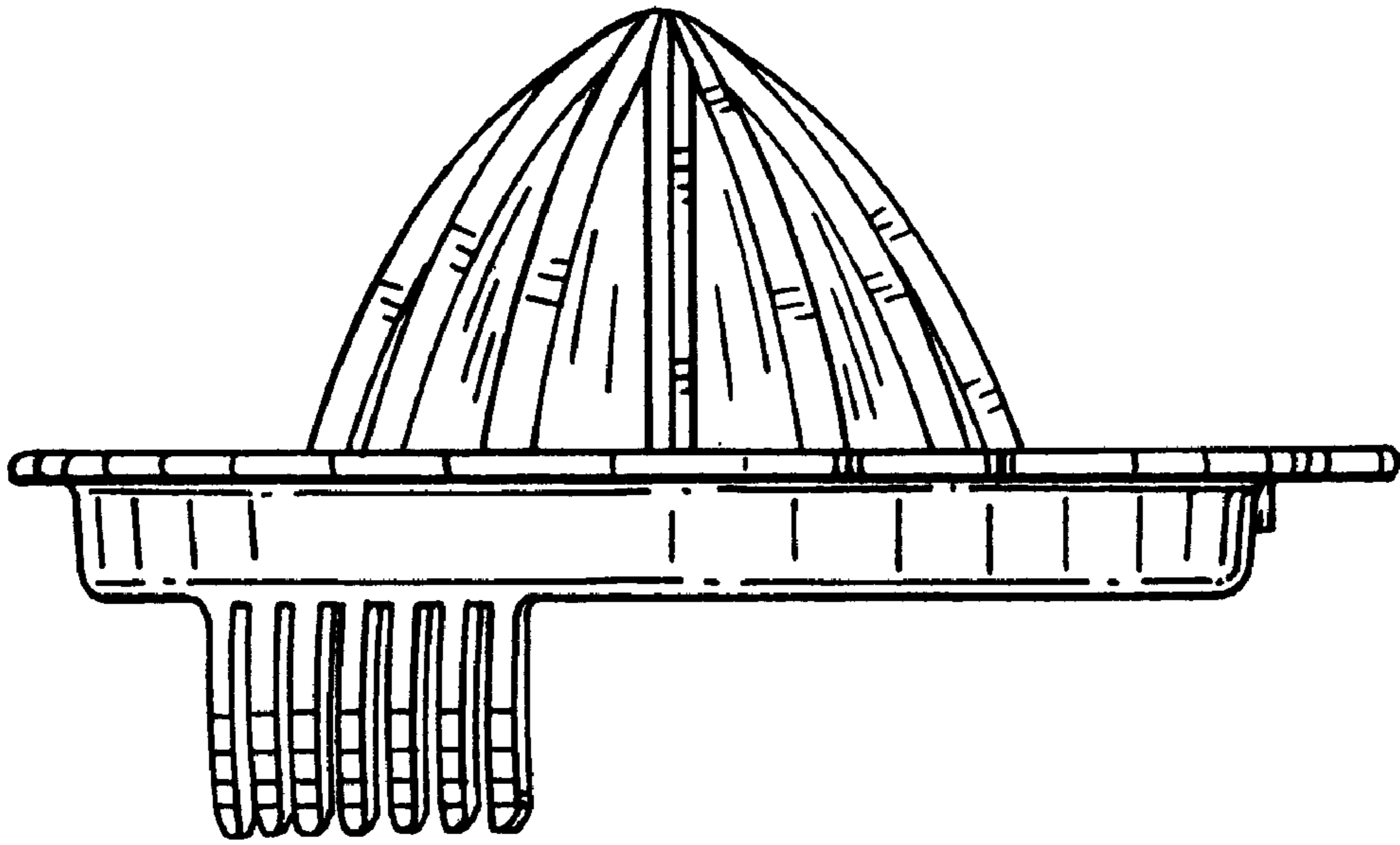


FIG. 14

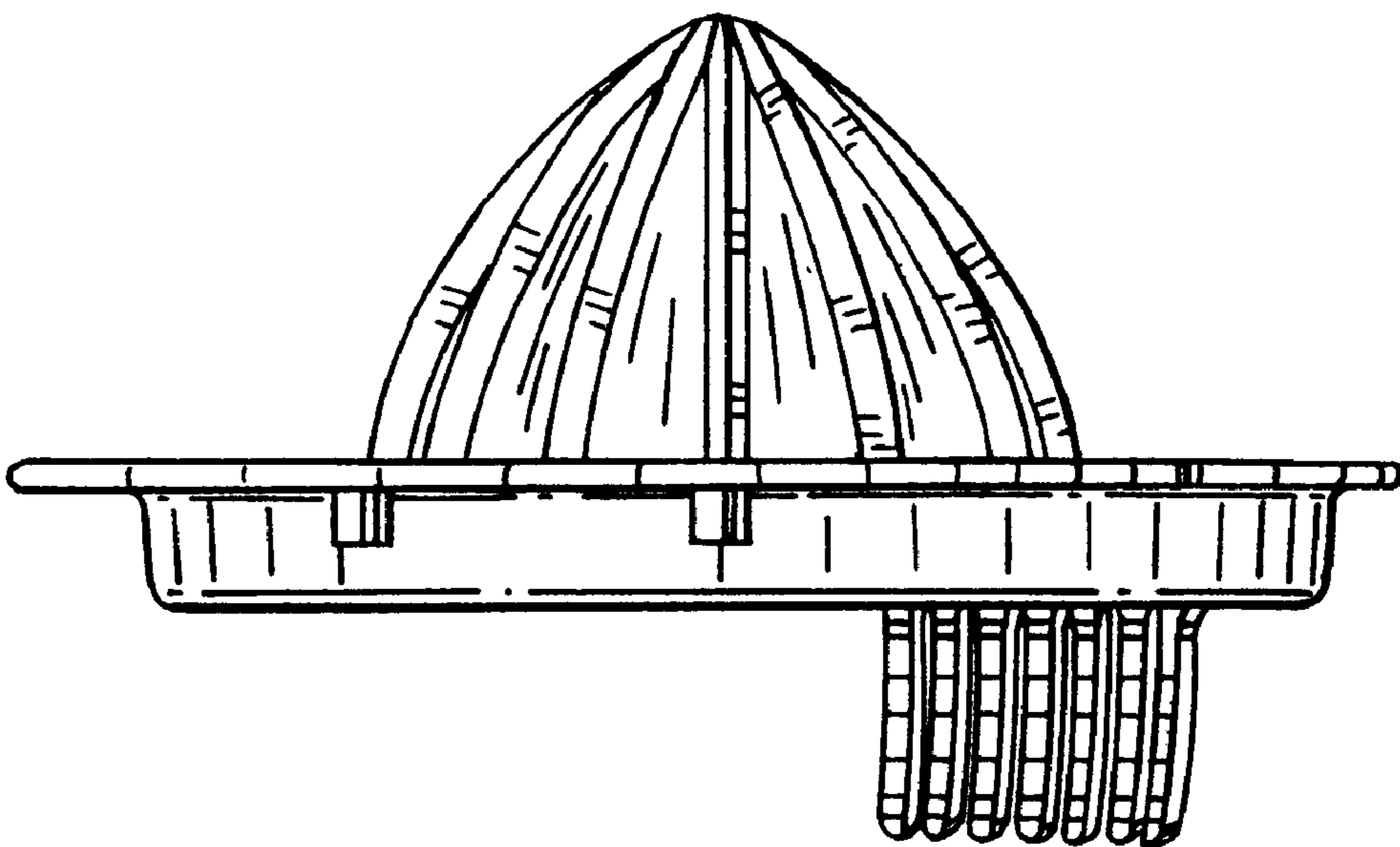


FIG. 15

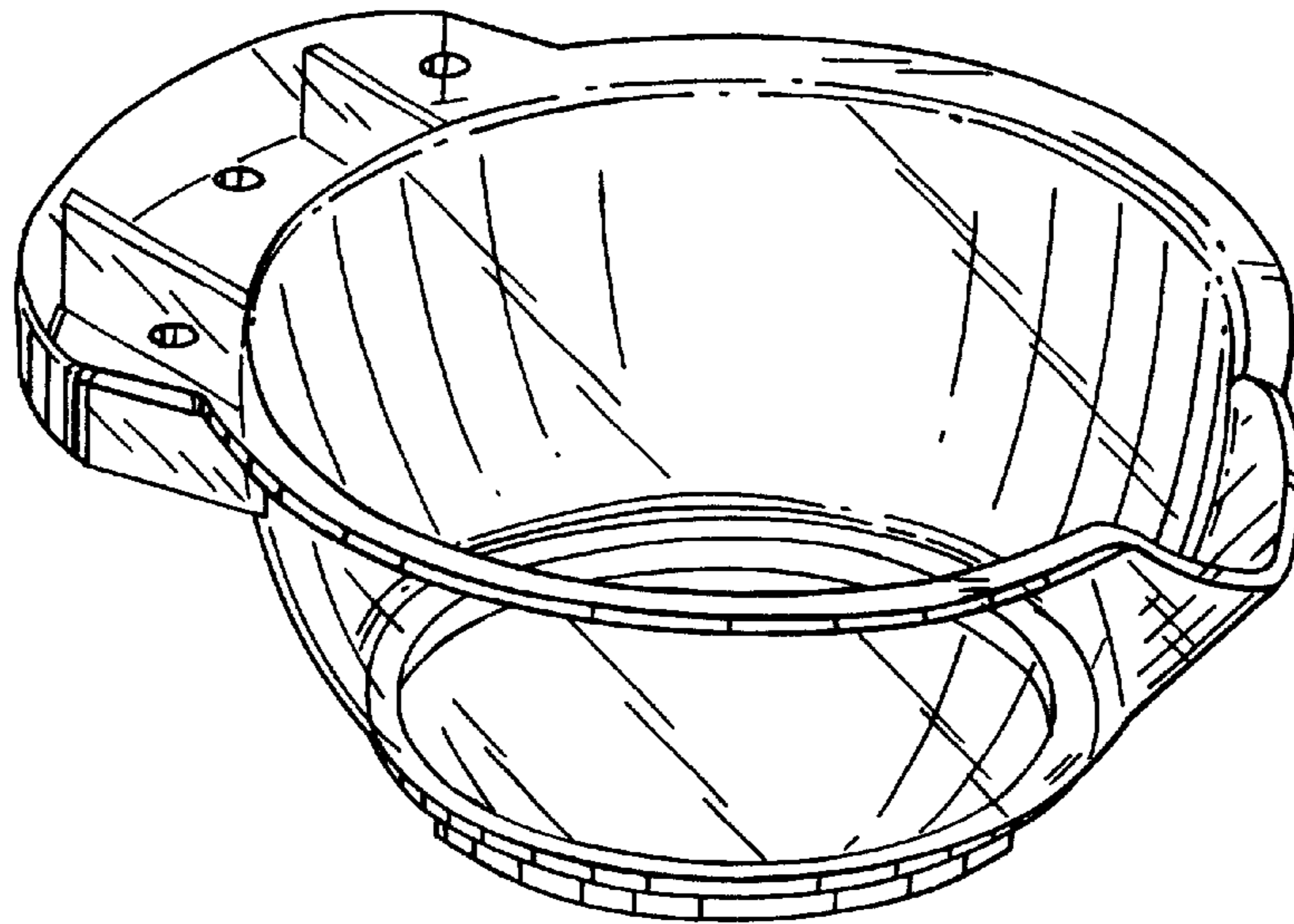


FIG. 16

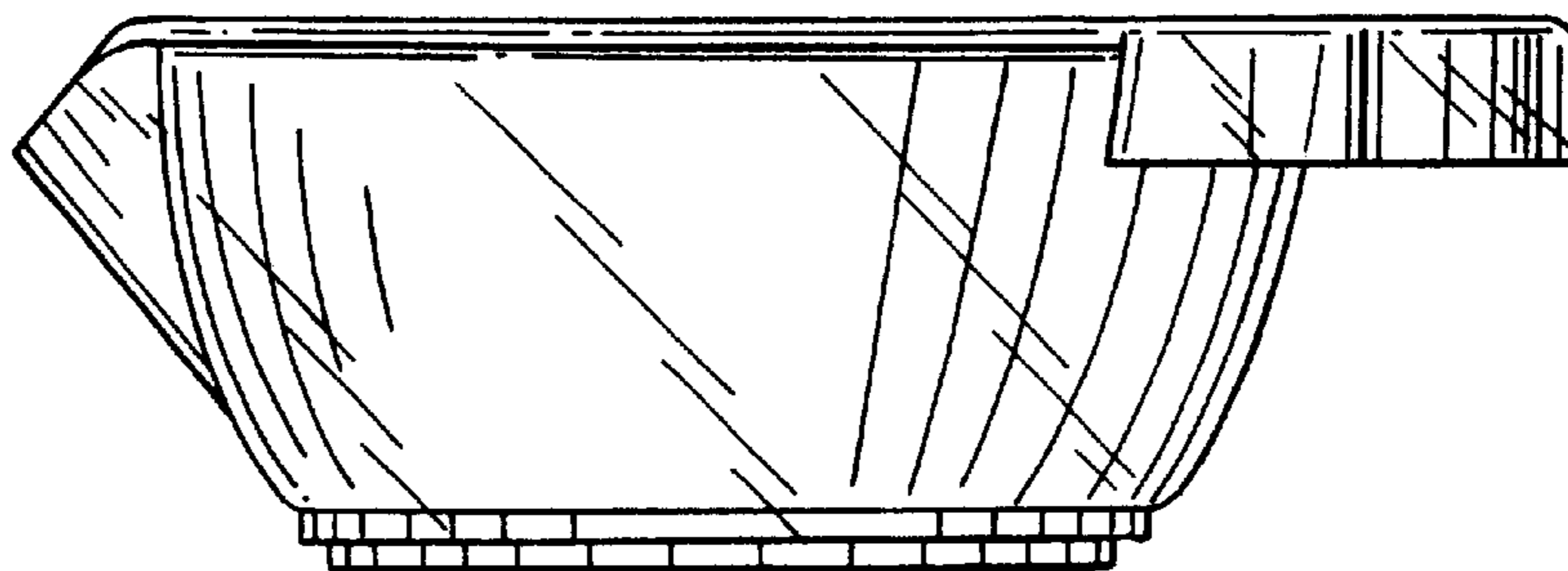


FIG. 17

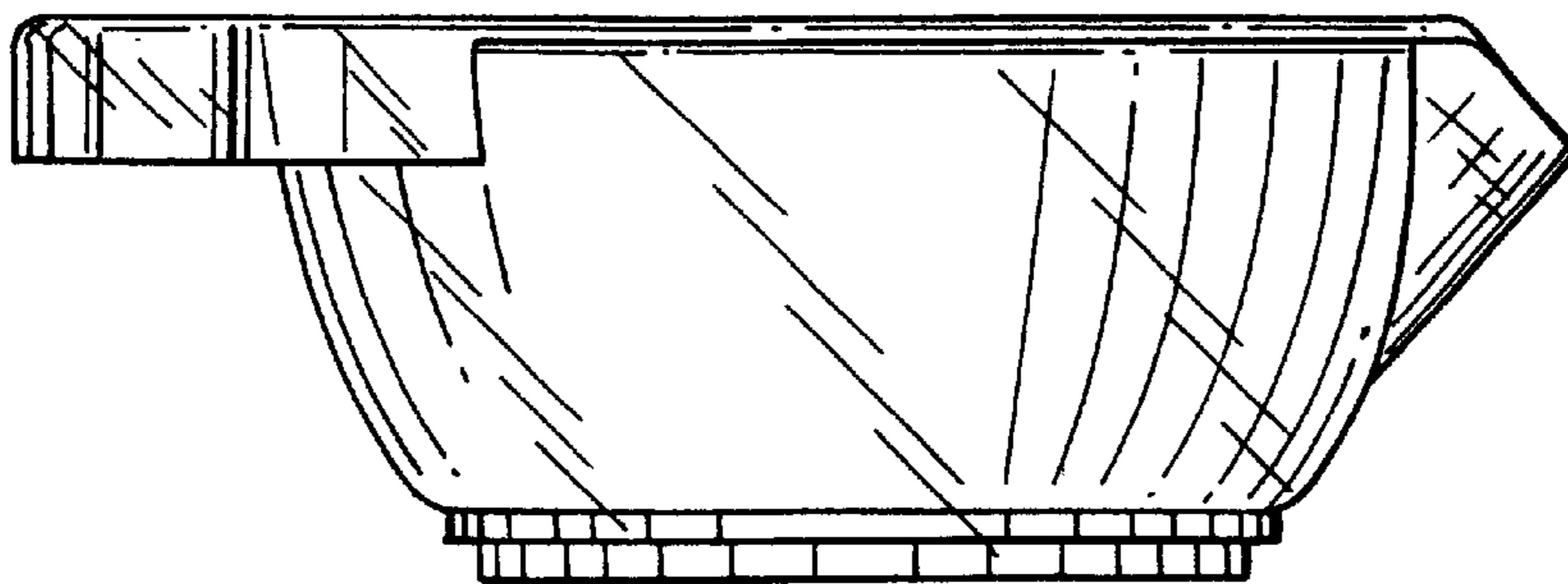


FIG. 18

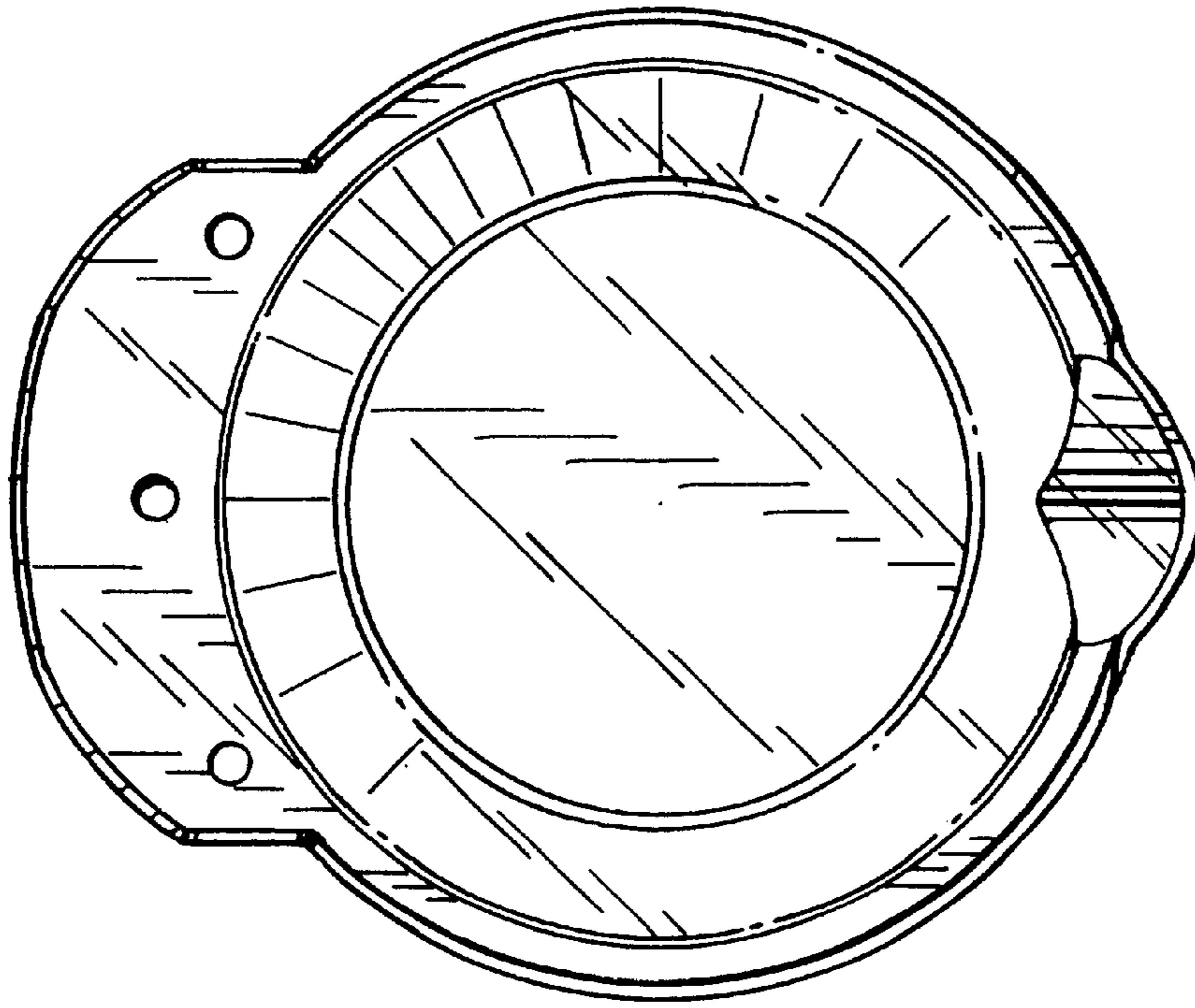


FIG. 19

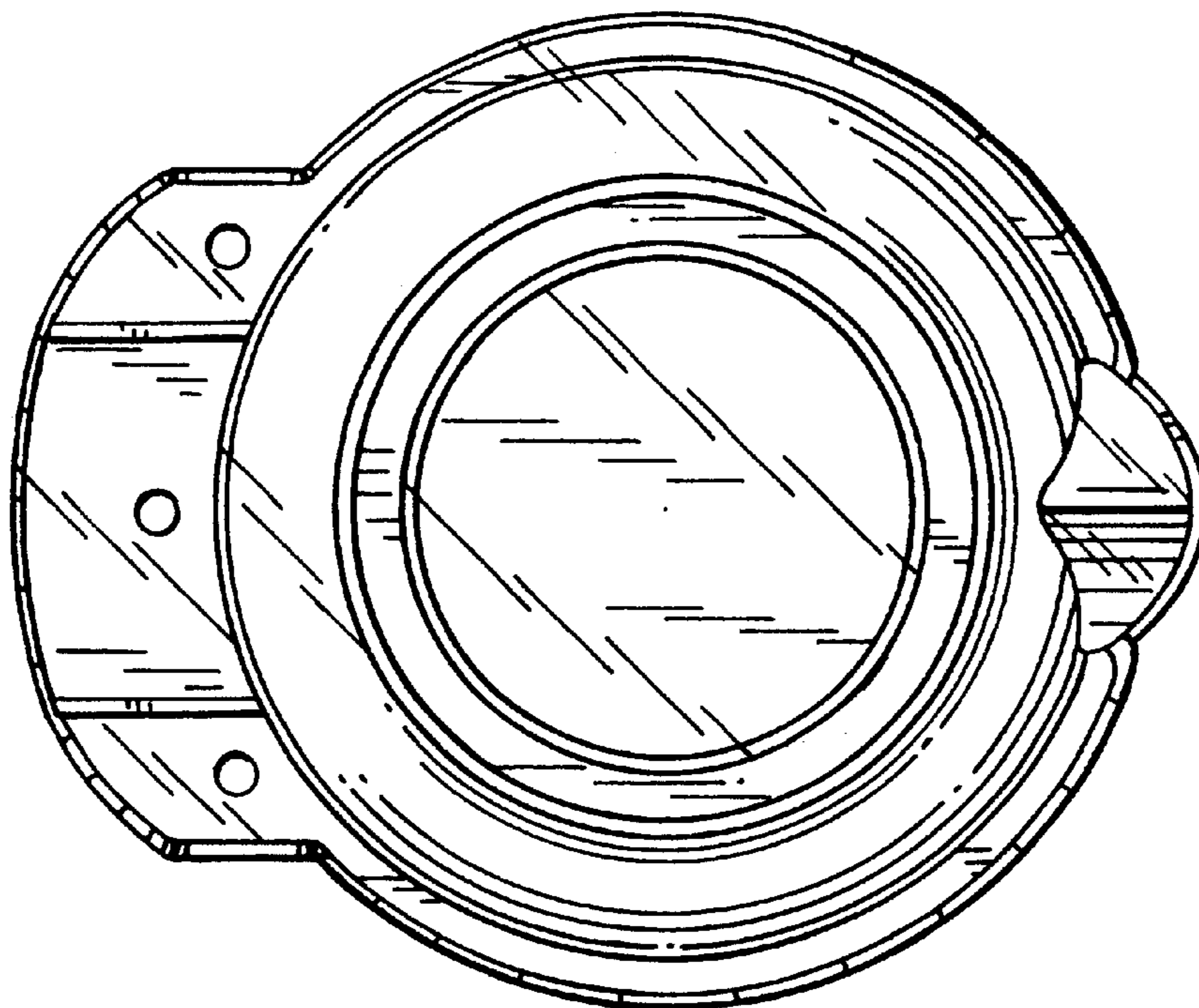


FIG. 20

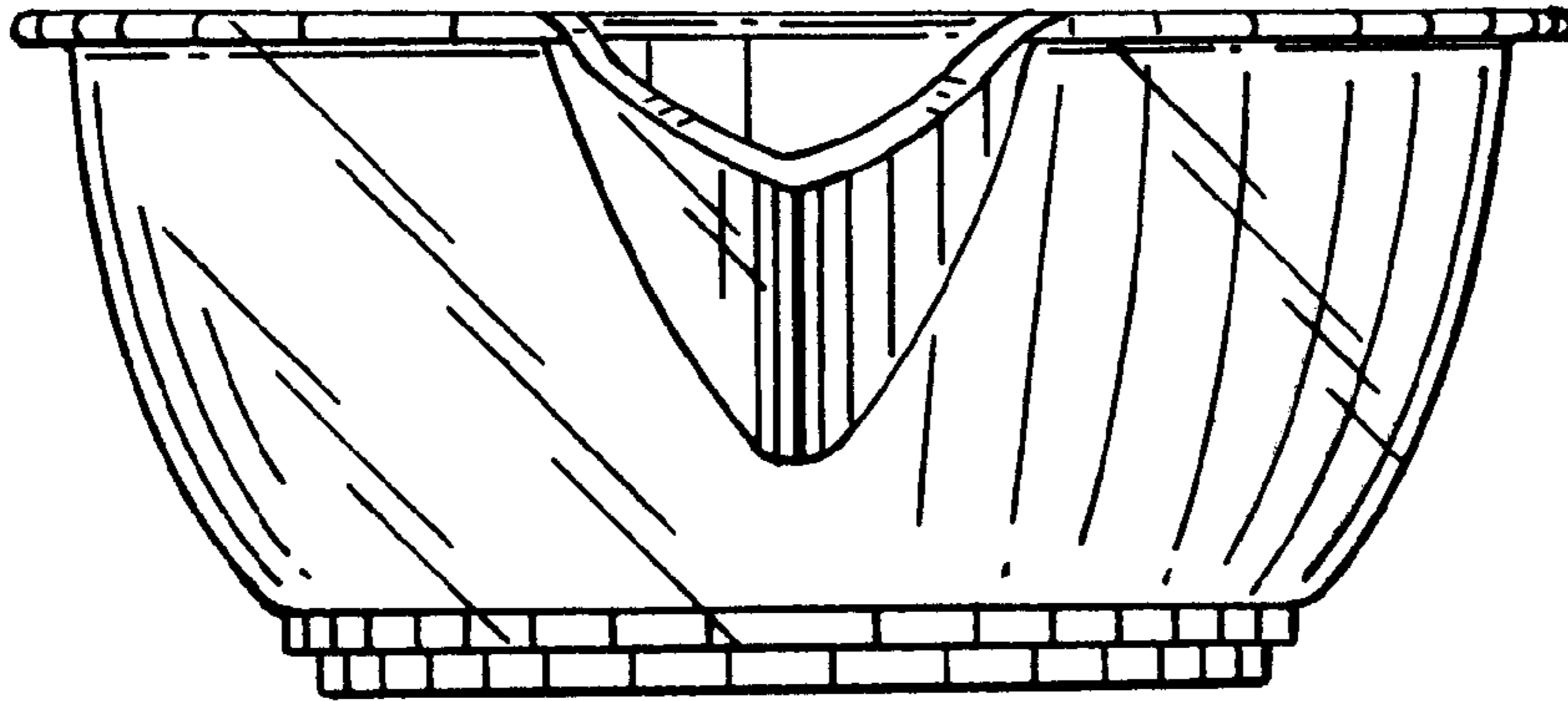


FIG. 22

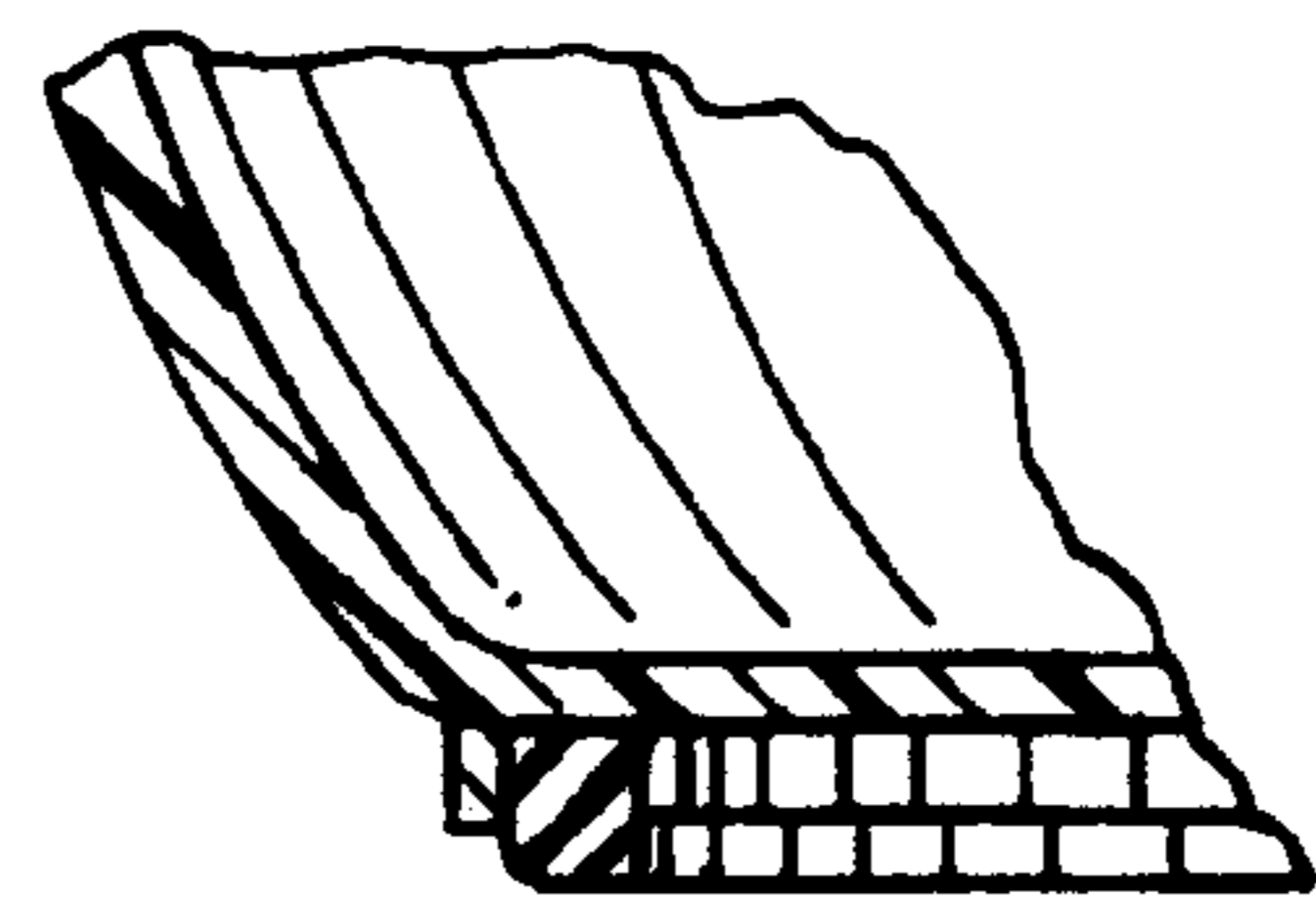


FIG. 21

