



US00D465384S

(12) **United States Design Patent**  
**Schanzer**

(10) **Patent No.:** **US D465,384 S**

(45) **Date of Patent:** **\*\* Nov. 12, 2002**

(54) **CUP**

(75) **Inventor:** **Sem Schanzer, Antwerp (BE)**

(73) **Assignee:** **L'Anverre, besloten vennootschap met beperkte aansprakelijkheid, Antwerp (BE)**

(\*\*) **Term:** **14 Years**

(21) **Appl. No.:** **29/158,066**

(22) **Filed:** **Mar. 29, 2002**

(30) **Foreign Application Priority Data**

Feb. 25, 2002 (XH) ..... DM/059 131

(51) **LOC (7) Cl.** ..... **07-01**

(52) **U.S. Cl.** ..... **D7/507; 510/523; 510/584**

(58) **Field of Search** ..... **D7/507, 509, 510, D7/523, 528, 505, 543, 545, 584, 557; 220/574, 694, 23.86, 23.83, 574.1, 575, 573.1, 556, 631; 206/541, 561; 119/51.5; 229/403, 400**

(56) **References Cited**

**U.S. PATENT DOCUMENTS**

D39,958 S \* 5/1909 Garrison ..... D7/584  
D102,968 S \* 10/1937 Farber ..... D7/505  
2,191,811 A \* 2/1940 Trampier, Sr. .... 119/51.5  
2,192,415 A \* 3/1940 Schwarzenzer ..... 229/400  
D122,576 S \* 9/1940 Steinhilber ..... D7/557  
D133,703 S \* 9/1942 Parker ..... D7/505  
2,294,657 A \* 9/1942 Flanagan ..... 220/575

D170,289 S \* 8/1953 Skipp ..... D7/507  
2,750,770 A \* 6/1956 Berg ..... 220/23.83  
2,850,079 A \* 9/1958 Prushnok et al. .... 248/506  
D189,302 S \* 11/1960 Skupien ..... D7/523  
D210,476 S \* 3/1968 Gulotta ..... D7/507  
D244,738 S \* 6/1977 Juhlin ..... D7/507  
D244,902 S \* 7/1977 Haar ..... D7/505  
4,055,273 A \* 10/1977 Jones ..... 220/631  
4,823,958 A \* 4/1989 Mahmud ..... 206/561  
D303,194 S \* 9/1989 Darby et al. .... D7/507  
4,938,373 A \* 7/1990 McKee ..... 220/23.86  
4,944,423 A \* 7/1990 Clark et al. .... 220/574  
5,249,700 A \* 10/1993 Dumke ..... 220/574  
5,441,164 A \* 8/1995 Beck et al. .... 220/575  
D402,851 S \* 12/1998 Stauffer ..... D7/505

\* cited by examiner

*Primary Examiner*—M. N. Pandozzi

(74) *Attorney, Agent, or Firm*—Bacon & Thomas, PLLC

(57) **CLAIM**

The ornamental design for a cup, as shown.

**DESCRIPTION**

FIG. 1 is a perspective view of a cup, showing my new design;

FIG. 2 is a front view thereof;

FIG. 3 is a rear elevational view thereof;

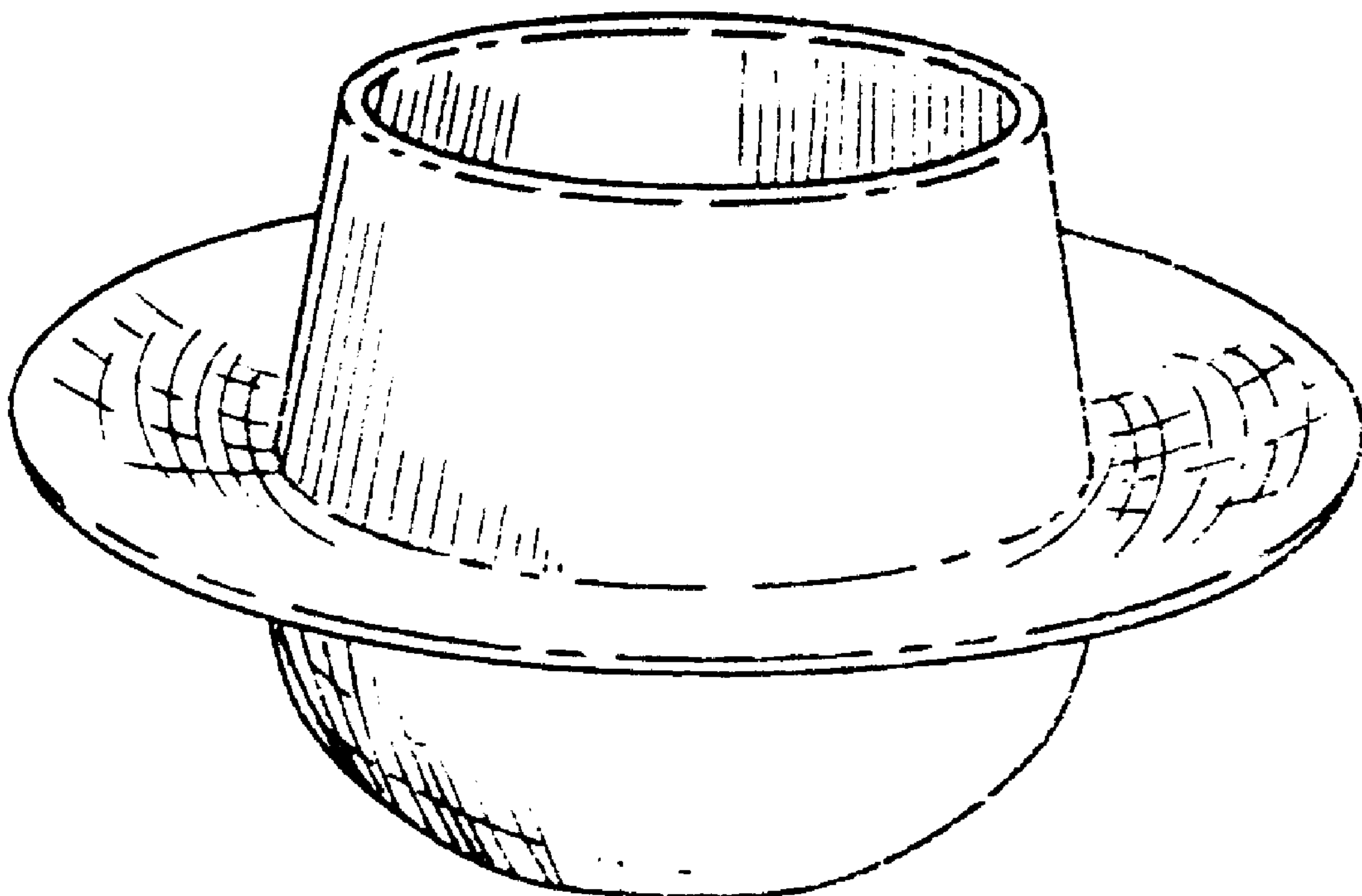
FIG. 4 is a left side elevational view thereof;

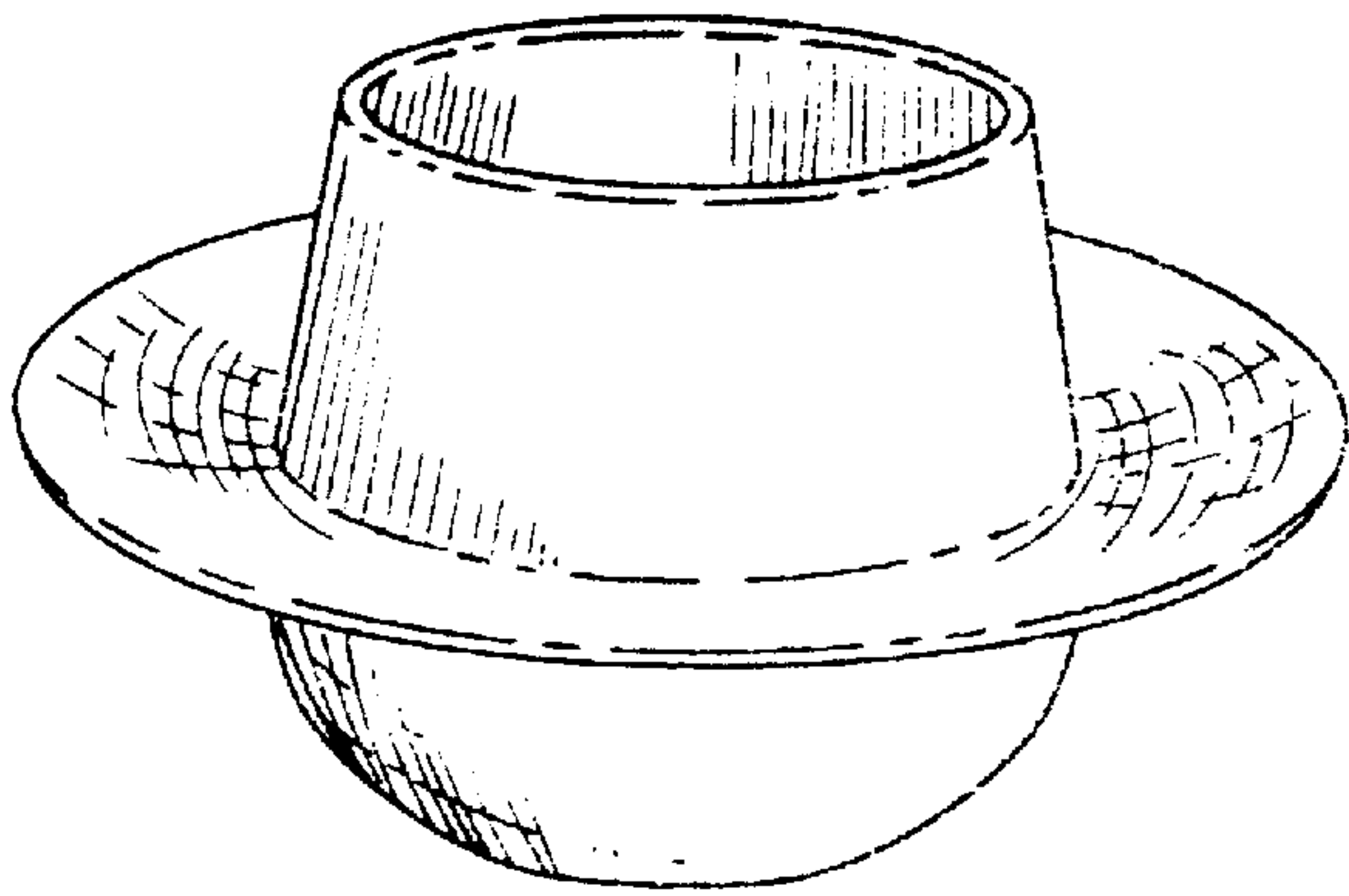
FIG. 5 is a right side elevational view thereof;

FIG. 6 is top plan view thereof; and,

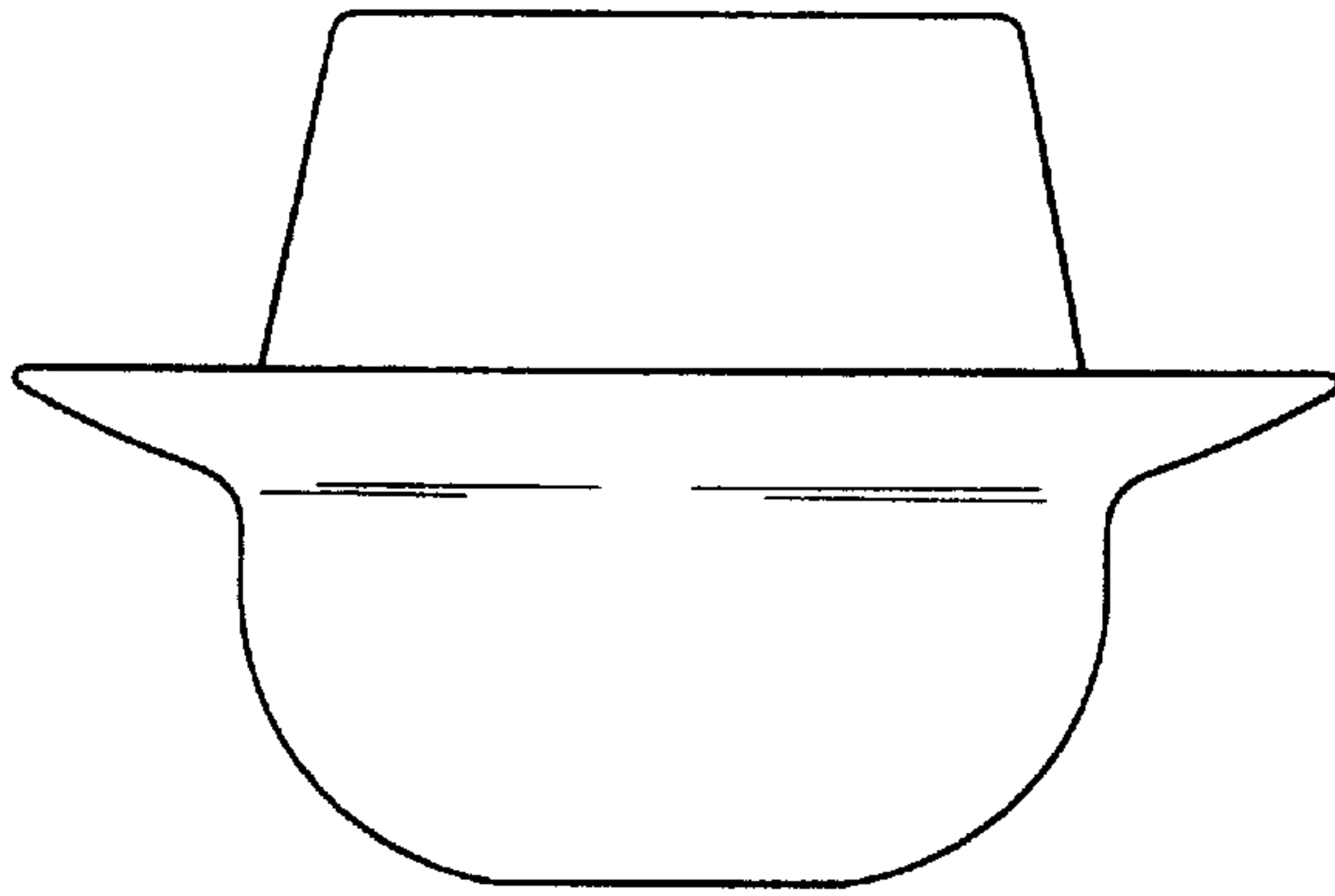
FIG. 7 is a bottom plan view thereof.

**1 Claim, 2 Drawing Sheets**

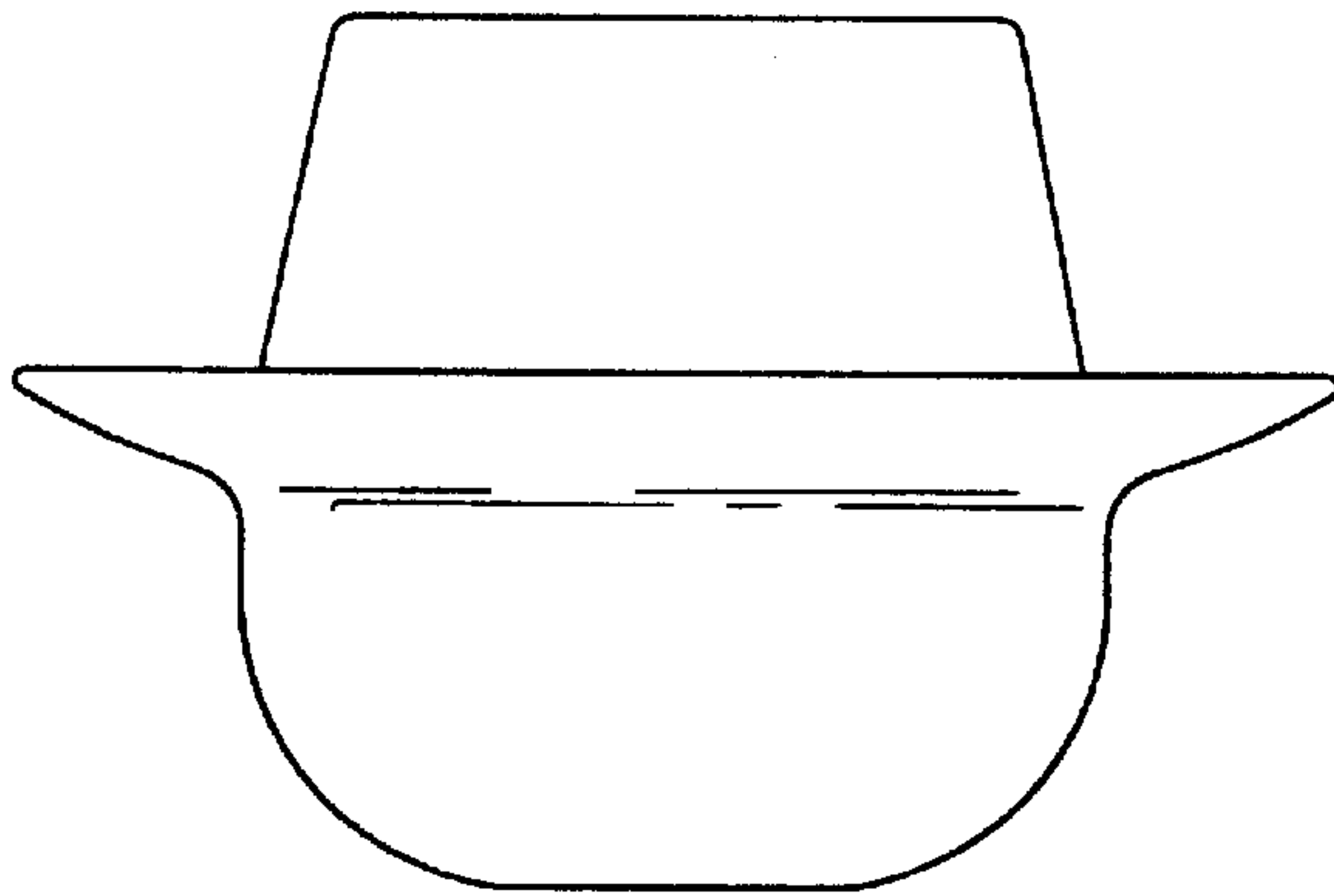




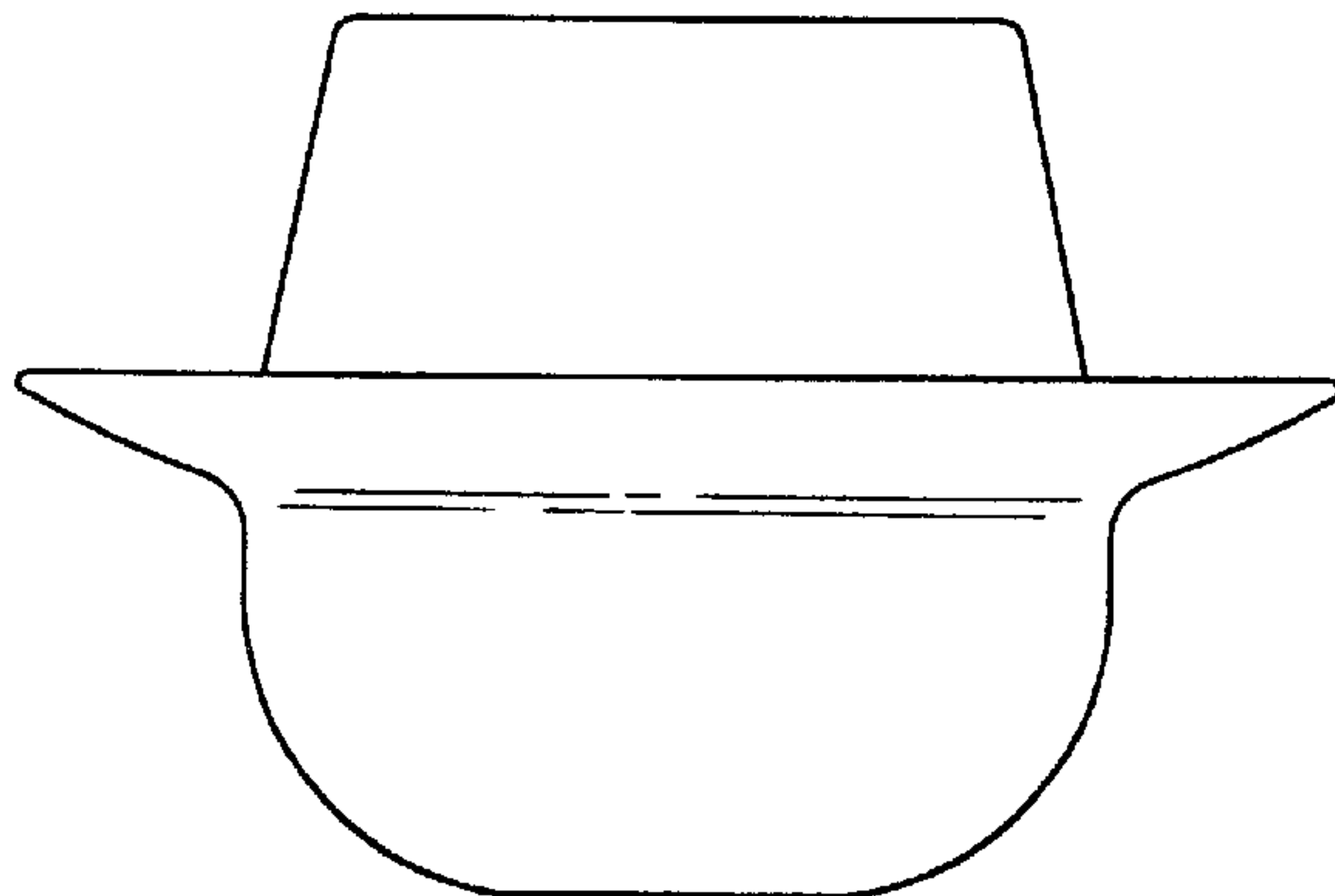
*Fig. 1*



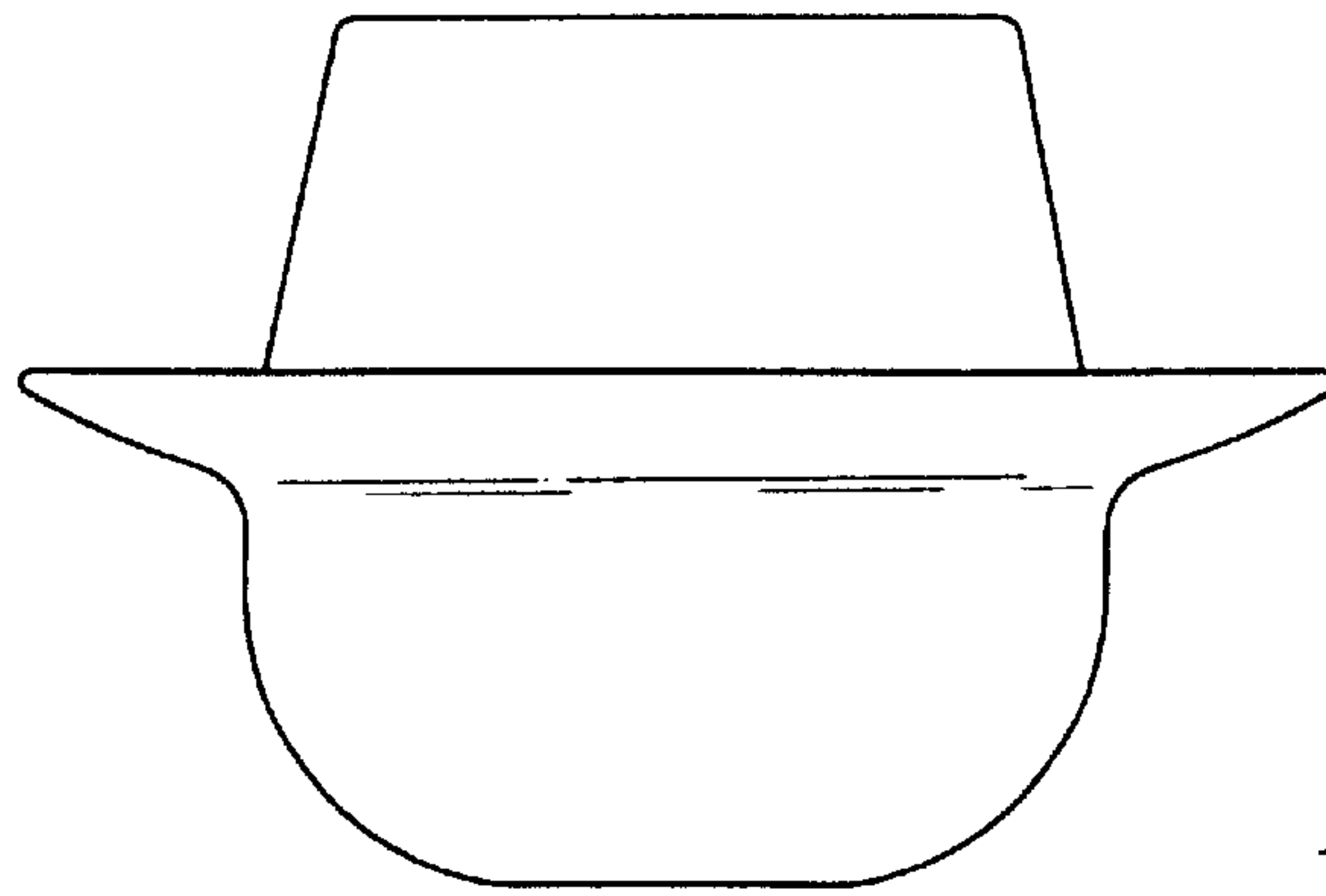
*Fig. 2*



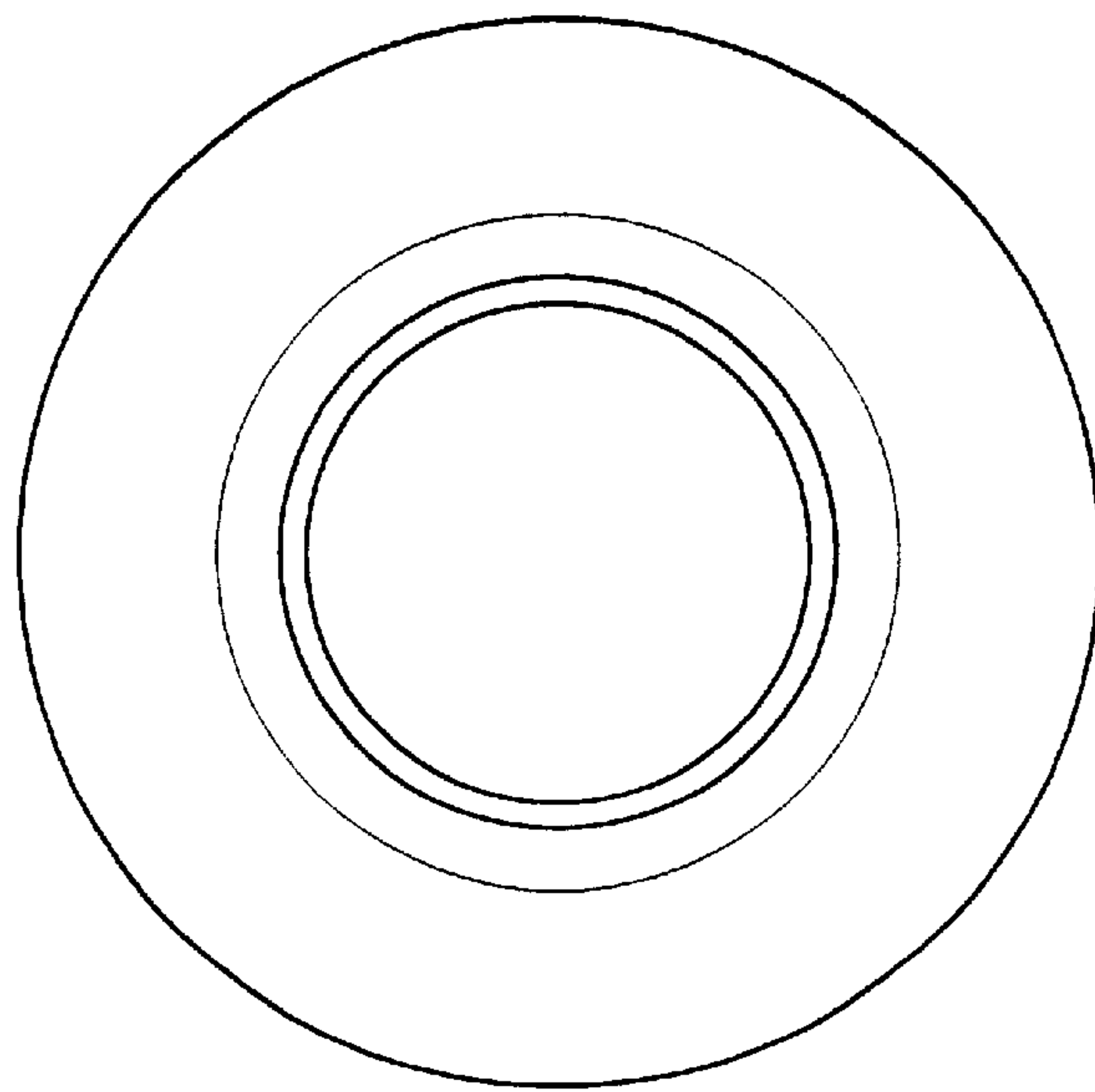
*Fig. 3*



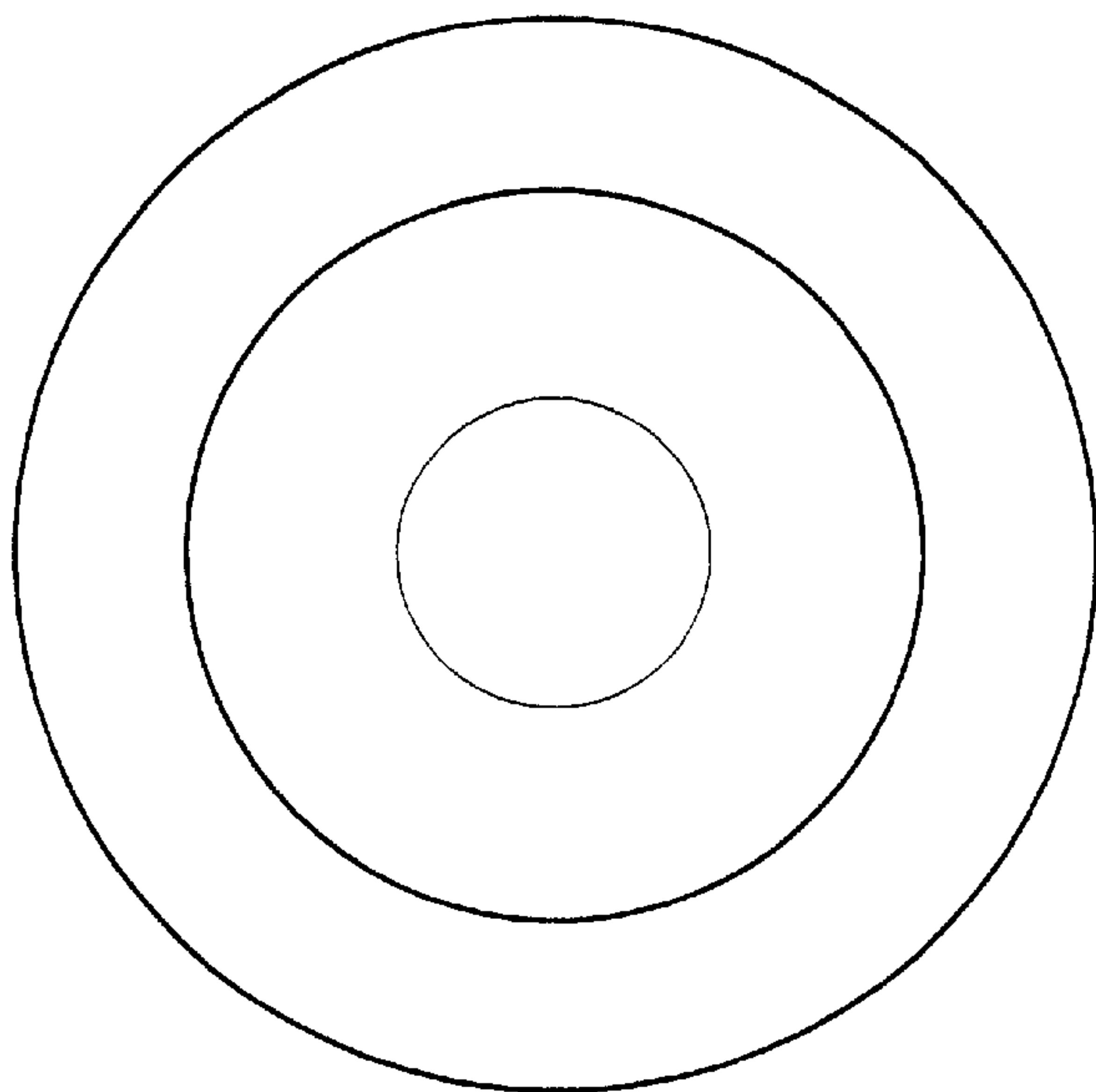
*Fig. 4*



*Fig. 5*



*Fig. 6*



*Fig. 7*