



US00D465383S

(12) **United States Design Patent**
Mosher et al.

(10) **Patent No.:** **US D465,383 S**

(45) **Date of Patent:** **** Nov. 12, 2002**

(54) **TWO-BURNER STOVE**

D449,491 S * 10/2001 Measom D7/334
D450,524 S * 11/2001 Measom D7/332

(75) Inventors: **Robert Mosher**, Wichita, KS (US);
Mitchell Wilgus, Andover, KS (US);
Darrell Neugebauer, Wichita, KS (US)

* cited by examiner

(73) Assignee: **The Coleman Company, Inc.**, Wichita, KS (US)

Primary Examiner—Ruth McInroy

(74) *Attorney, Agent, or Firm*—Kramer, Levin, Naftalis & Frankel LLP

(**) Term: **14 Years**

(57) **CLAIM**

(21) Appl. No.: **29/145,144**

The ornamental design for a two-burner stove, as shown and described.

(22) Filed: **Jul. 16, 2001**

DESCRIPTION

(51) **LOC (7) Cl.** **07-02**

(52) **U.S. Cl.** **D7/402**

(58) **Field of Search** D7/332–337, 402–405;
126/25 R, 25 A, 25 AA, 29–30, 33, 38,
41 R; 99/421 H, 419, 427, 449

FIG. 1 is a front left perspective view of a two-burner stove showing our new design, the stove having a shelf beneath two exposed burners;

FIG. 2 is a front elevational view thereof;

FIG. 3 is a back elevational view thereof;

FIG. 4 is a right side elevational view thereof;

FIG. 5 is a left side elevational view thereof;

FIG. 6 is a top plan view thereof; and,

FIG. 7 is a bottom plan view thereof.

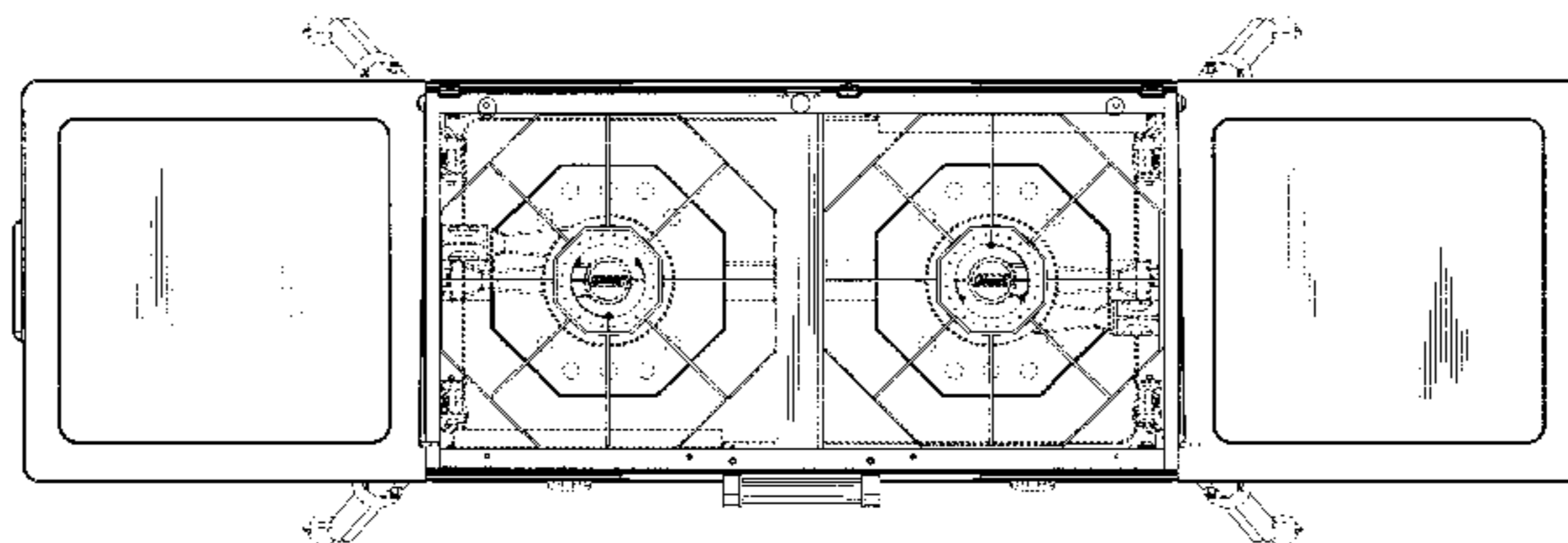
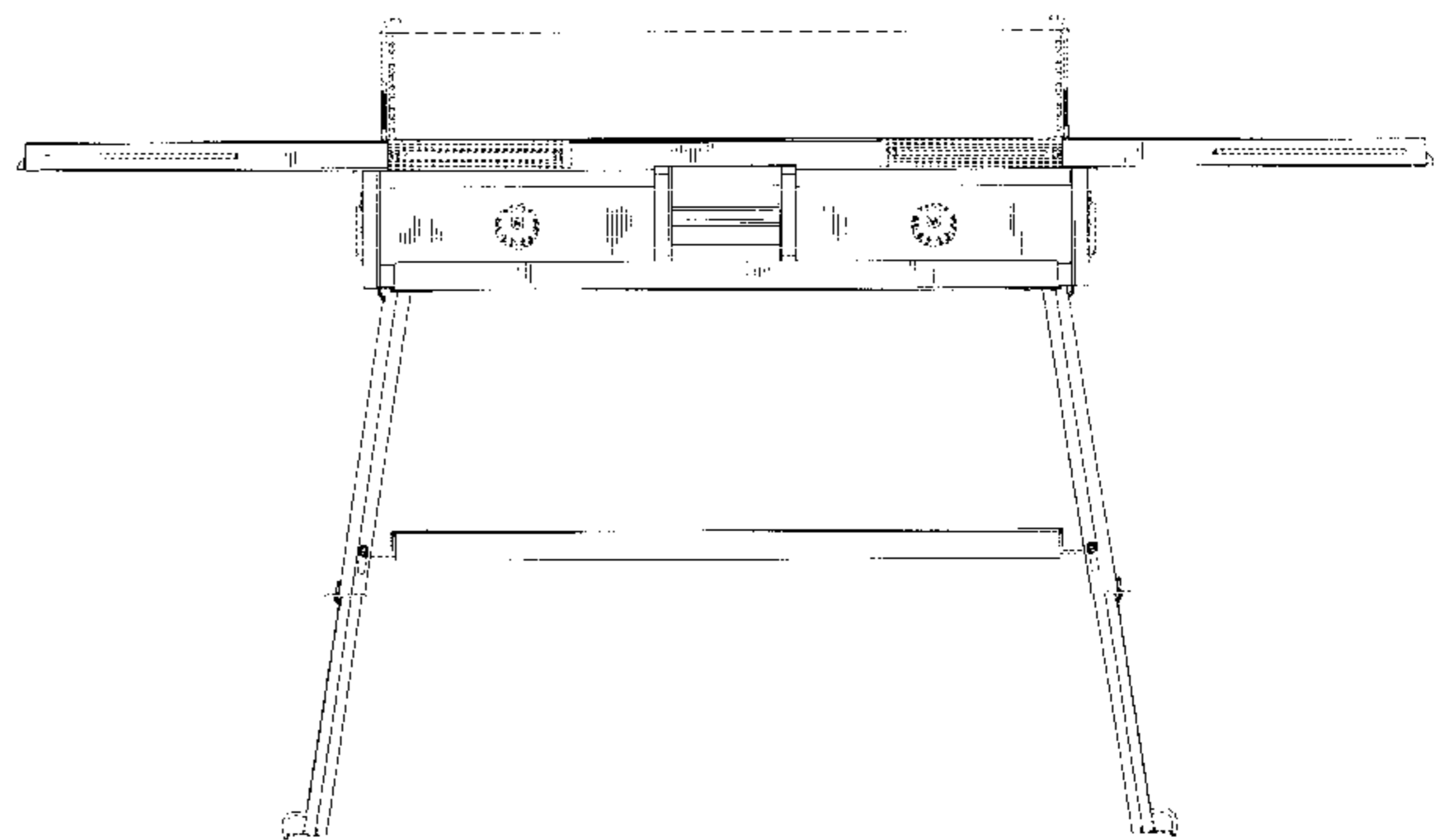
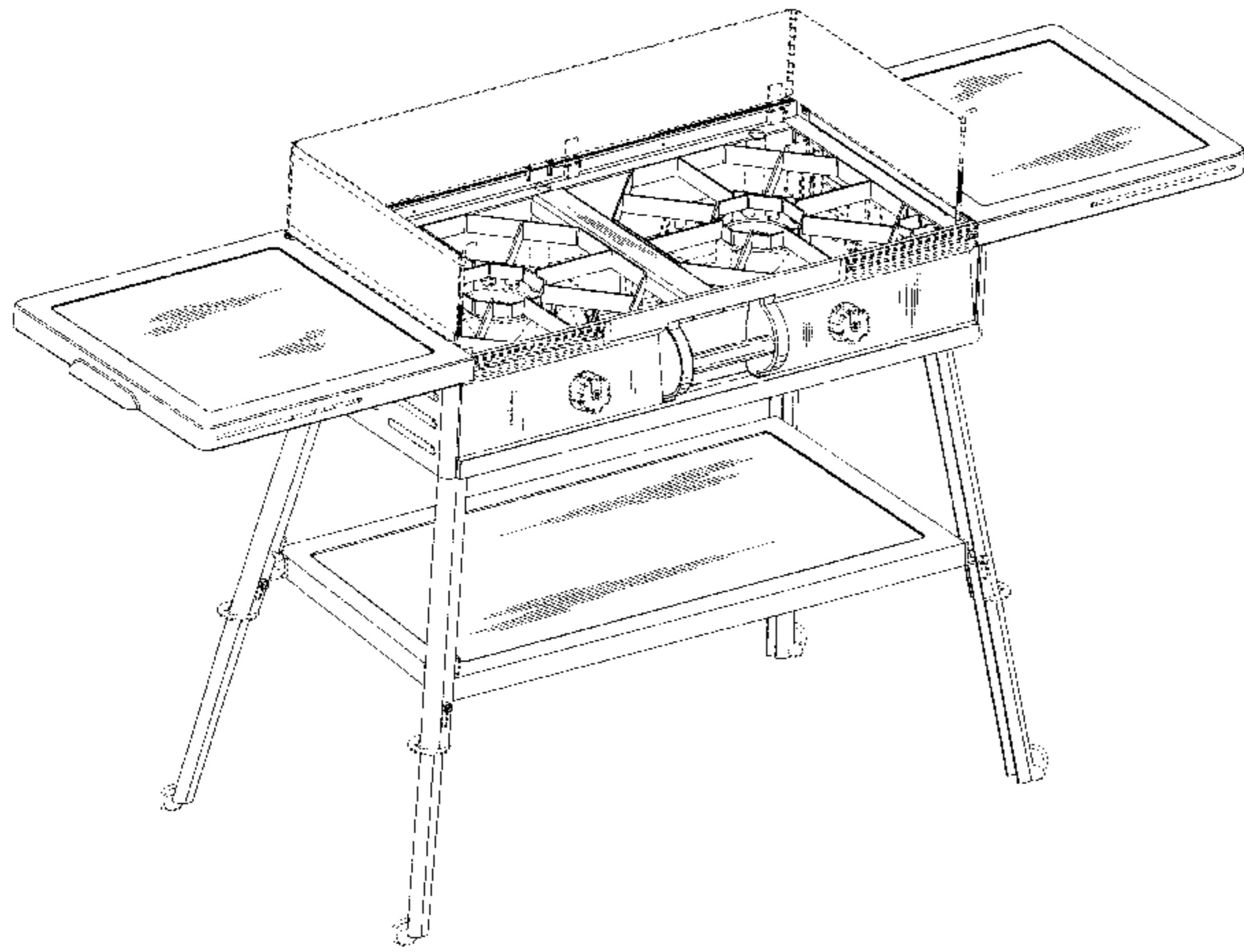
The details shown in broken lines in all views are for illustrative purposes only and form no part of the claimed design.

(56) **References Cited**

U.S. PATENT DOCUMENTS

- D229,661 S * 12/1973 Lambertson D7/334
- D285,522 S * 9/1986 Basini D7/334
- D295,818 S * 5/1988 Chan D7/332
- D378,646 S * 4/1997 Dutro et al. D7/339
- D417,120 S * 11/1999 Dutro et al. D7/332
- D417,359 S * 12/1999 Dutro et al. D7/332

1 Claim, 7 Drawing Sheets



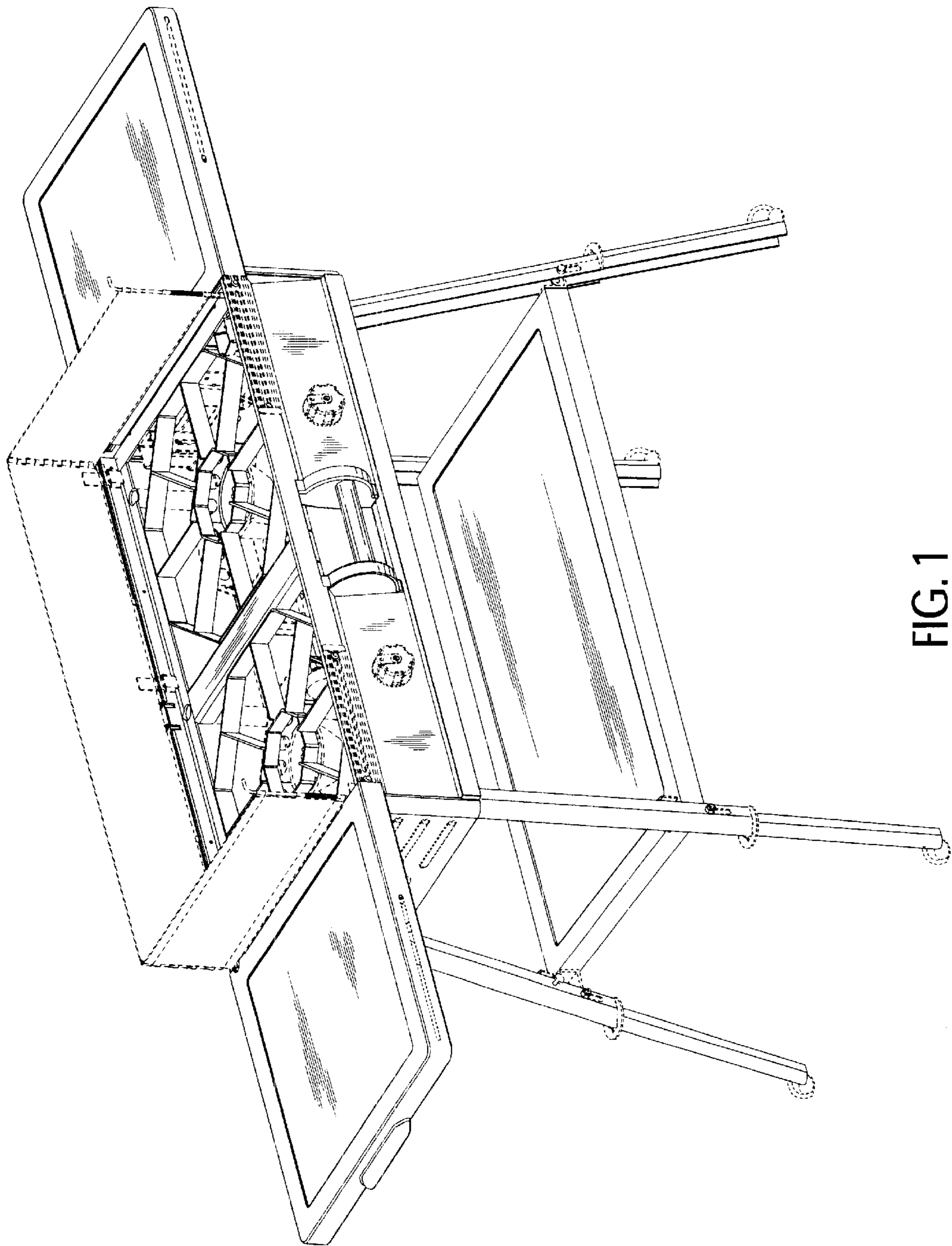


FIG. 1

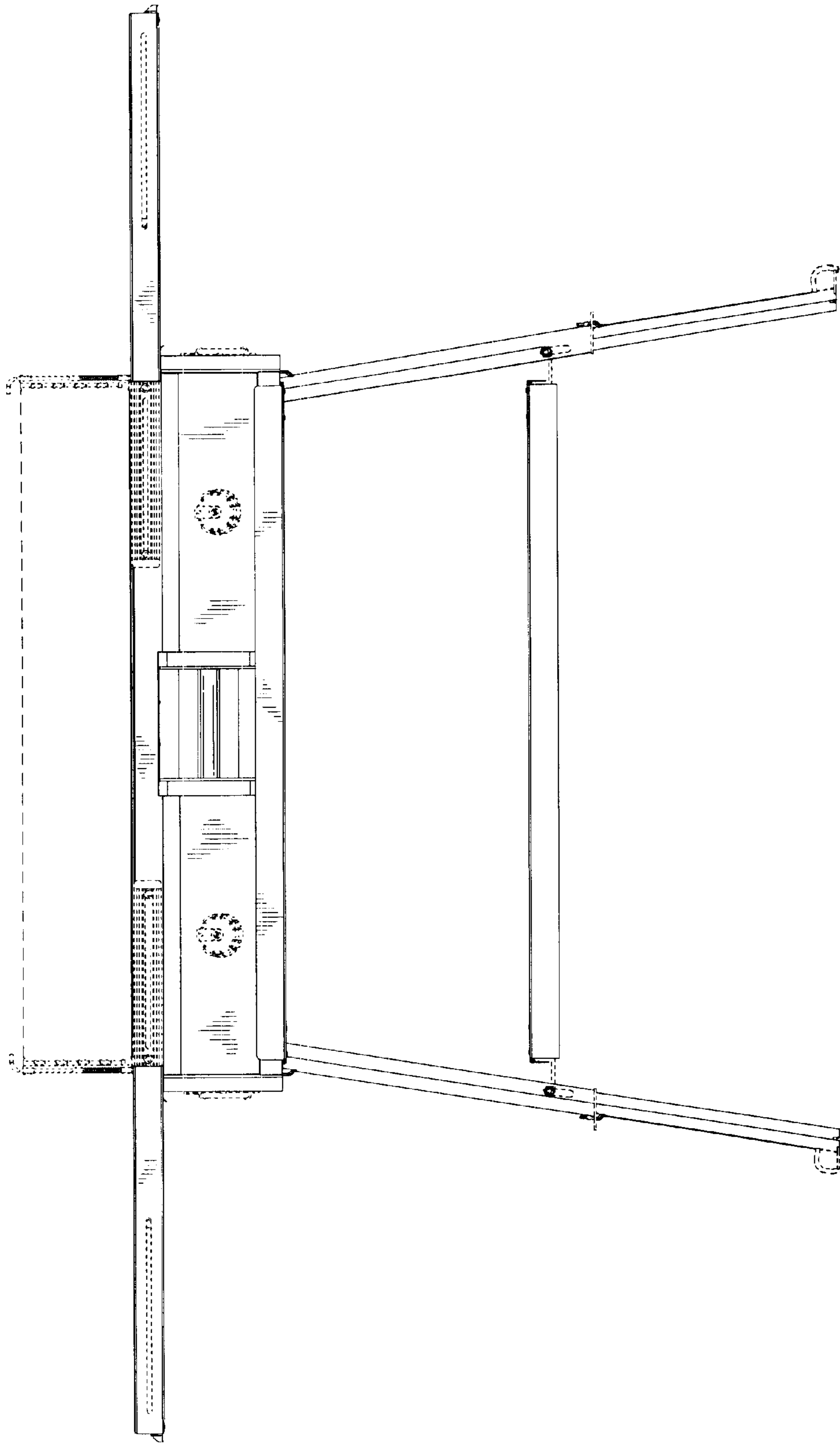


FIG. 2

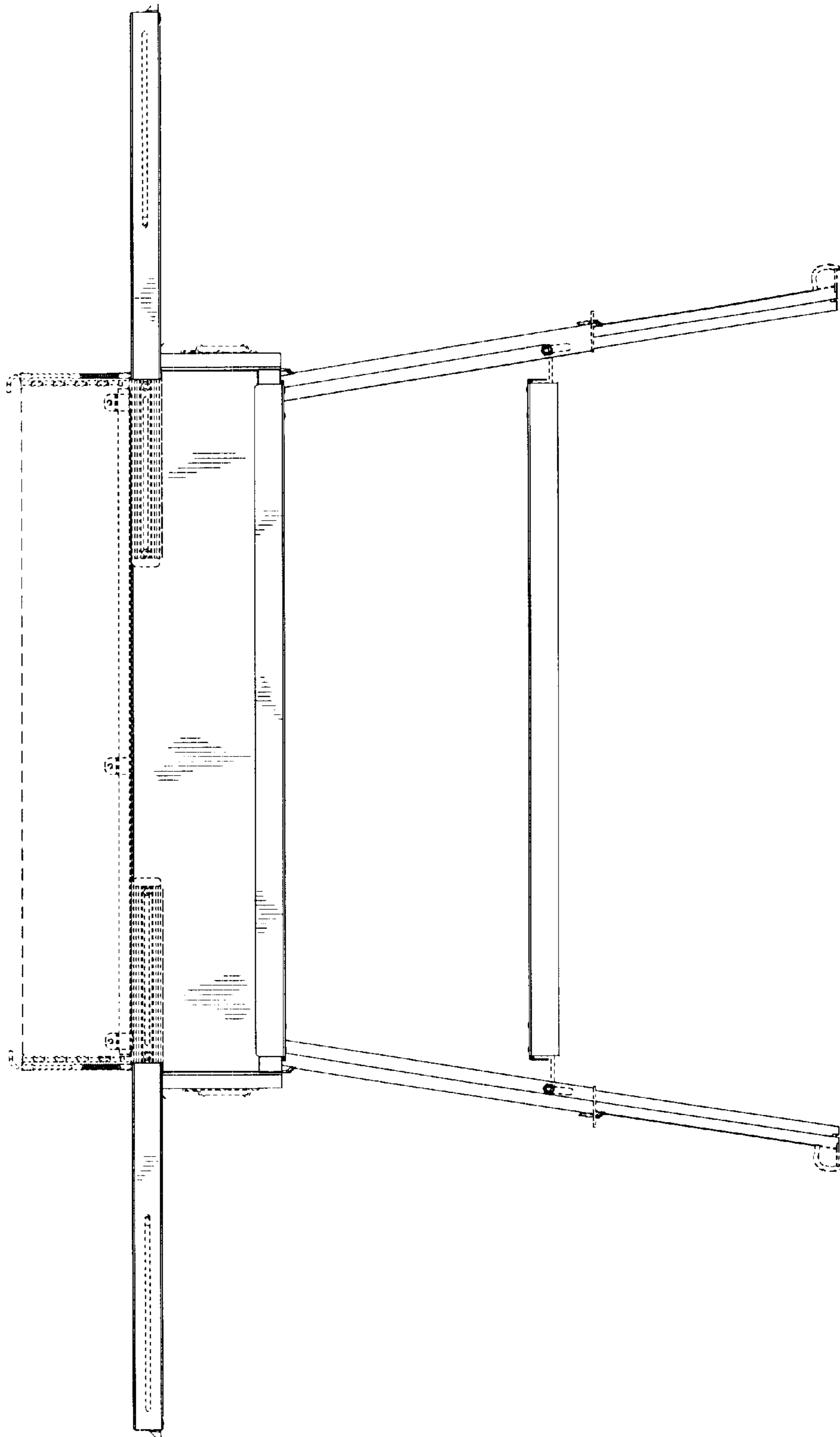


FIG. 3

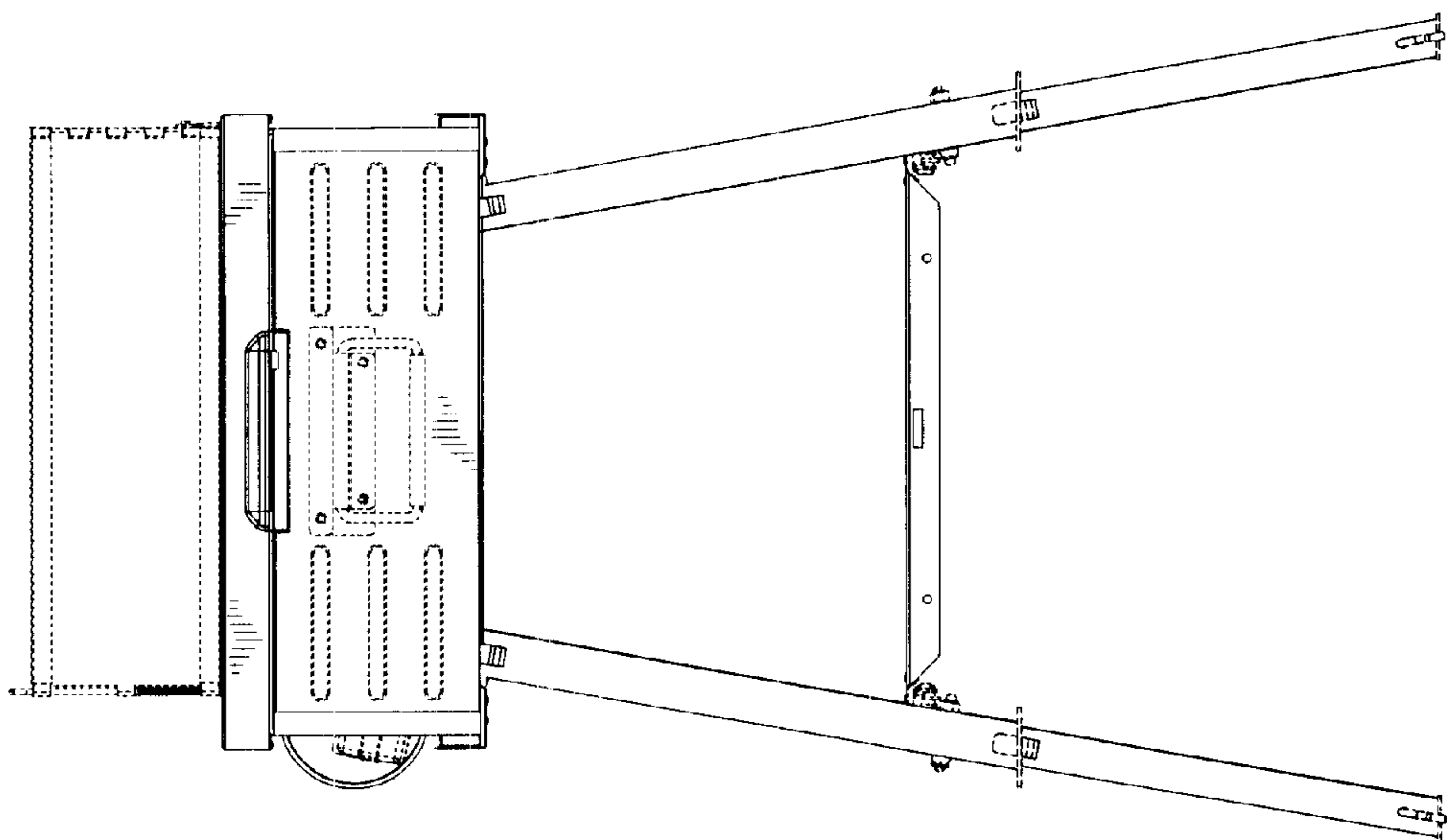


FIG. 4

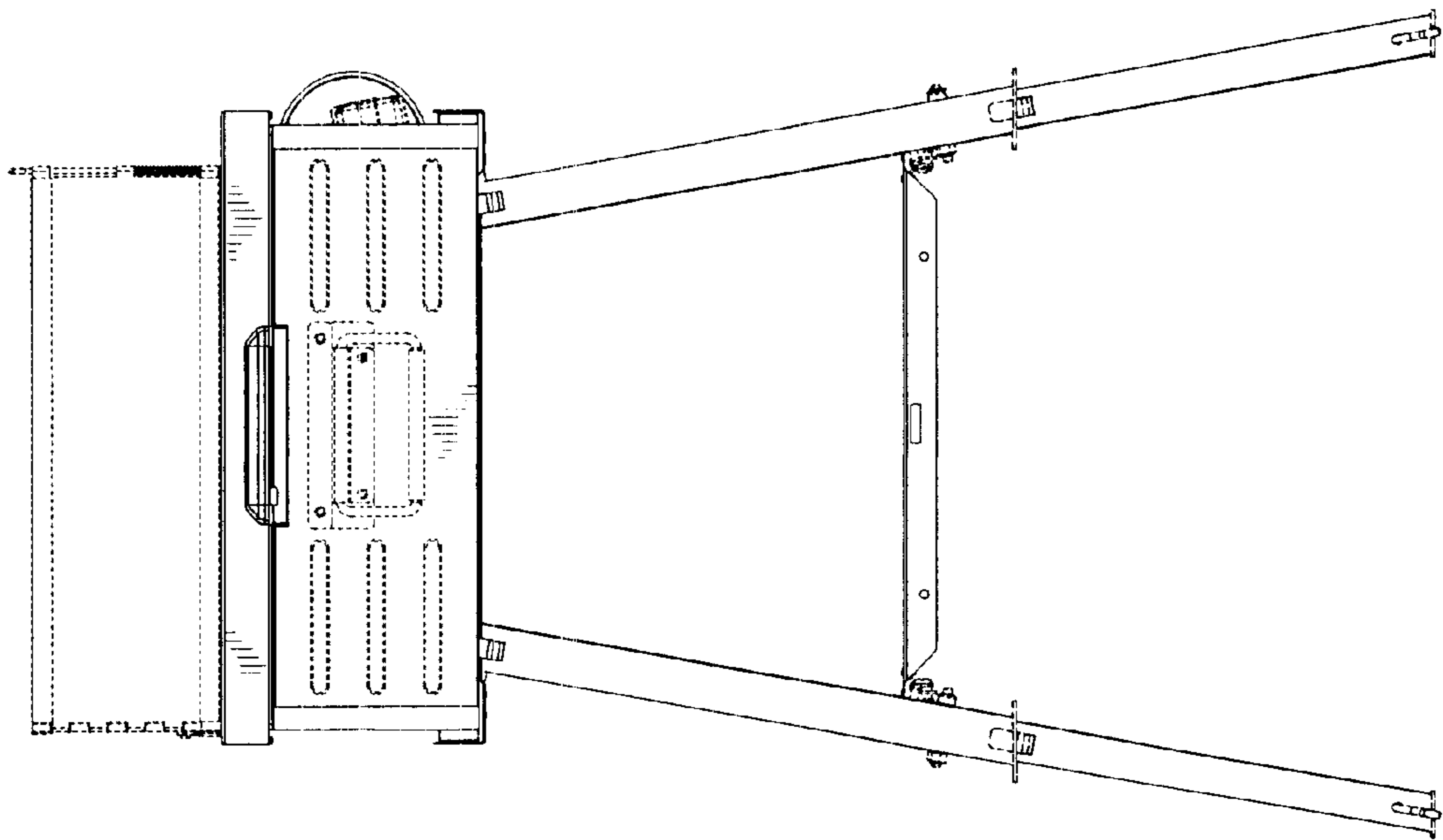


FIG. 5

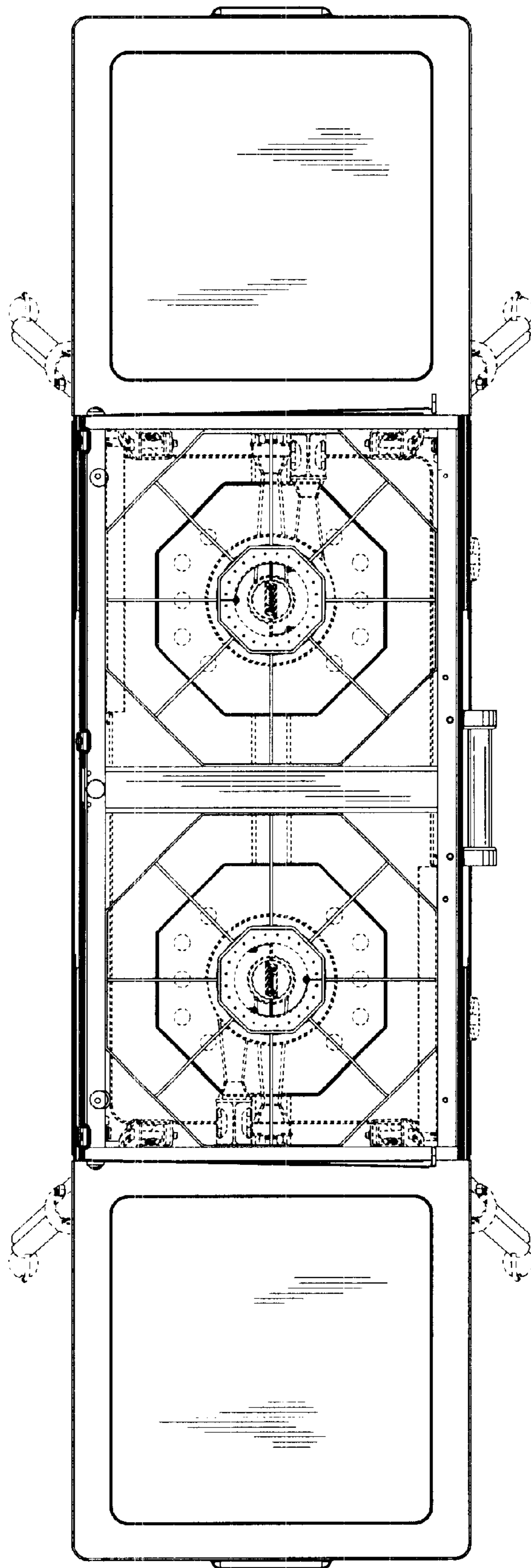


FIG. 6

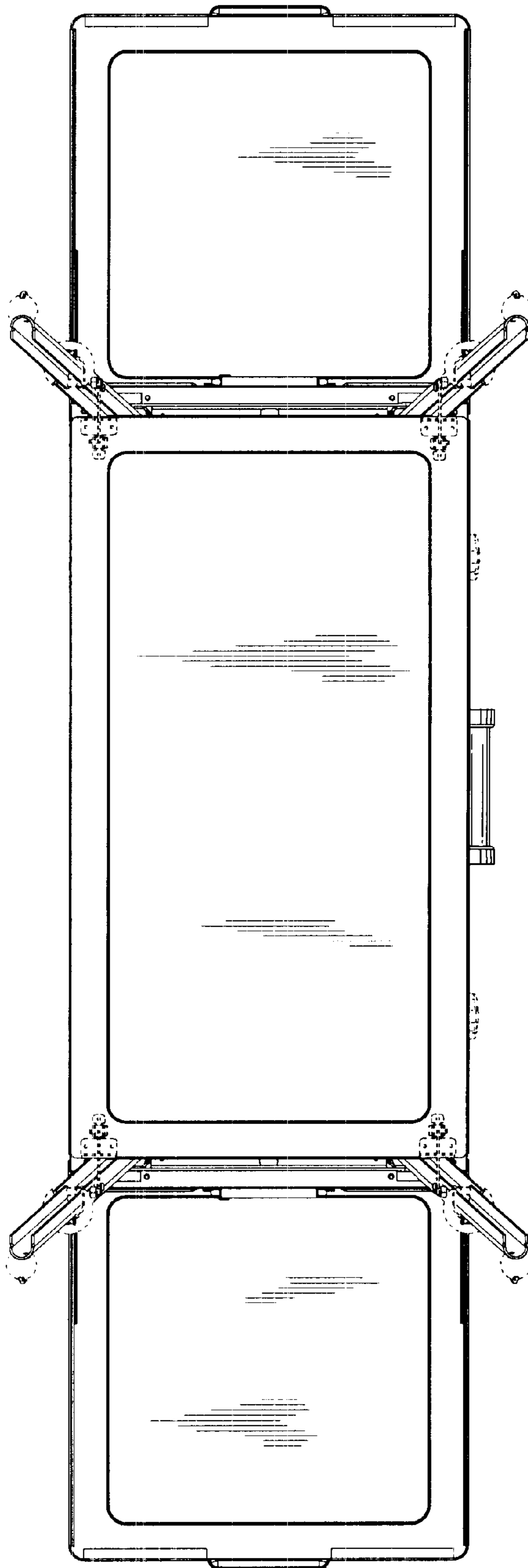


FIG. 7