



US00D465379S

(12) **United States Design Patent**
Favela

(10) **Patent No.:** **US D465,379 S**

(45) **Date of Patent:** **** Nov. 12, 2002**

(54) **BARBECUE GRILL**

(76) Inventor: **Manuel Favela**, 1455 E. Francis St.,
Ontario, CA (US) 91761

(**) Term: **14 Years**

(21) Appl. No.: **29/151,281**

(22) Filed: **Dec. 3, 2001**

(51) **LOC (7) Cl.** **07-02**

(52) **U.S. Cl.** **D7/332**

(58) **Field of Search** D7/332-337, 402,
D7/403, 404; D21/707, 709, 712-714; 126/25 R,
25 A, 25 AA, 41 R; 99/419

(56) **References Cited**

U.S. PATENT DOCUMENTS

3,624,939 A	*	12/1971	Gossard	40/721
D340,075 S	*	10/1993	Turner	D19/82
D349,008 S	*	7/1994	Minor	D7/606
D381,860 S	*	8/1997	Chiang	D7/334
D387,608 S	*	12/1997	Kelly et al.	D7/334
D418,359 S	*	1/2000	Taylor, Jr.	D7/332

D430,990 S * 9/2000 Cragg D7/402

D439,793 S * 4/2001 Mak D7/332

D450,525 S * 11/2001 Giebel et al. D7/334

D456,203 S * 4/2002 Peloquin D7/334

* cited by examiner

Primary Examiner—Ruth McInroy

(74) *Attorney, Agent, or Firm*—Stout, Uxa, Buyan &
Mullins, LLP; Donald E. Stout

(57) **CLAIM**

The ornamental design for a barbecue grill, as shown.

DESCRIPTION

FIG. 1 is a top plan view of a barbecue grill showing my new design;

FIG. 2 is a bottom plan view of the barbecue grill;

FIG. 3 is a left elevation of the barbecue grill;

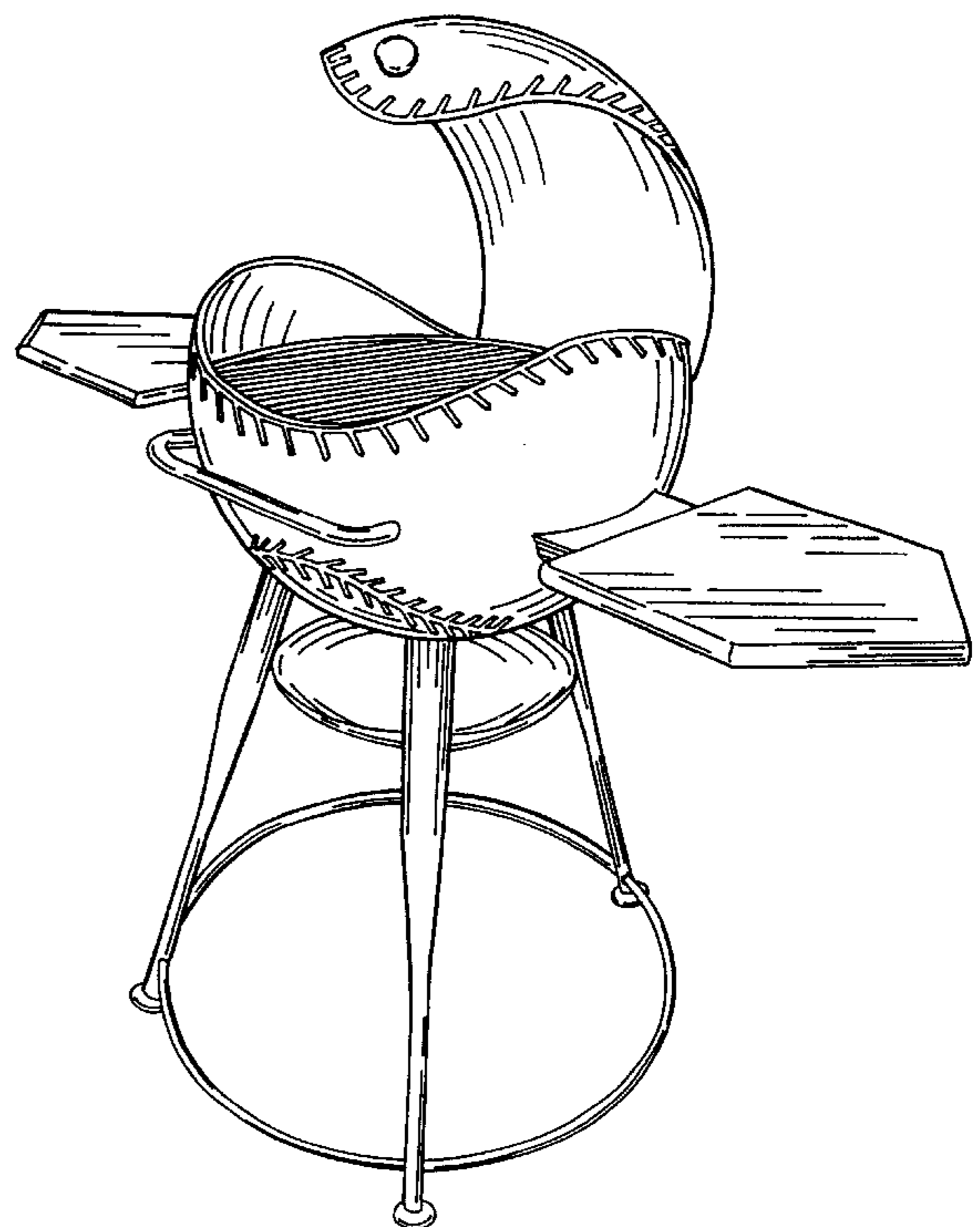
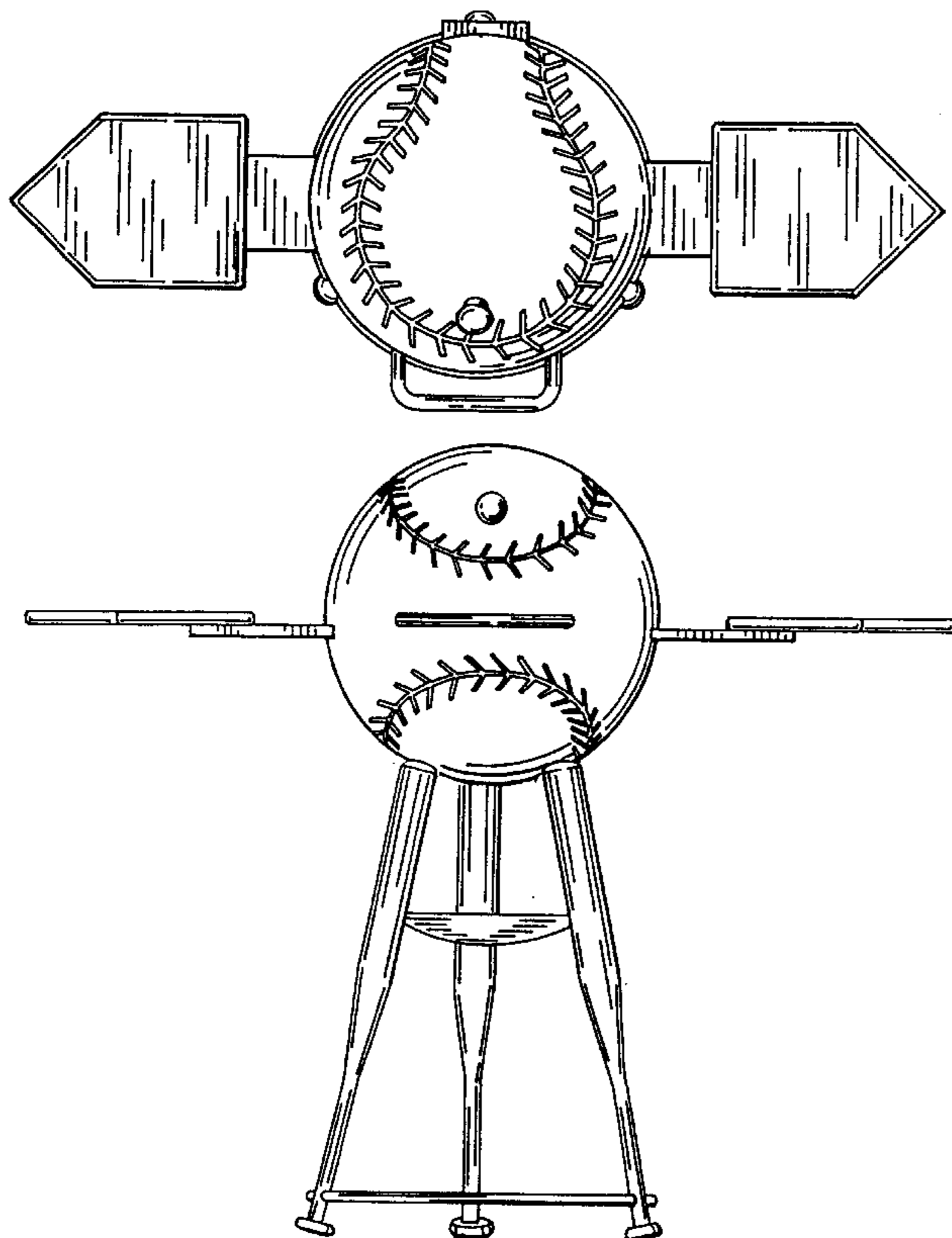
FIG. 4 is a right elevation of the barbecue grill;

FIG. 5 is a front elevation of the barbecue grill;

FIG. 6 is a rear elevation of the barbecue grill; and,

FIG. 7 is a perspective view of the barbecue grill with the lid open.

1 Claim, 4 Drawing Sheets



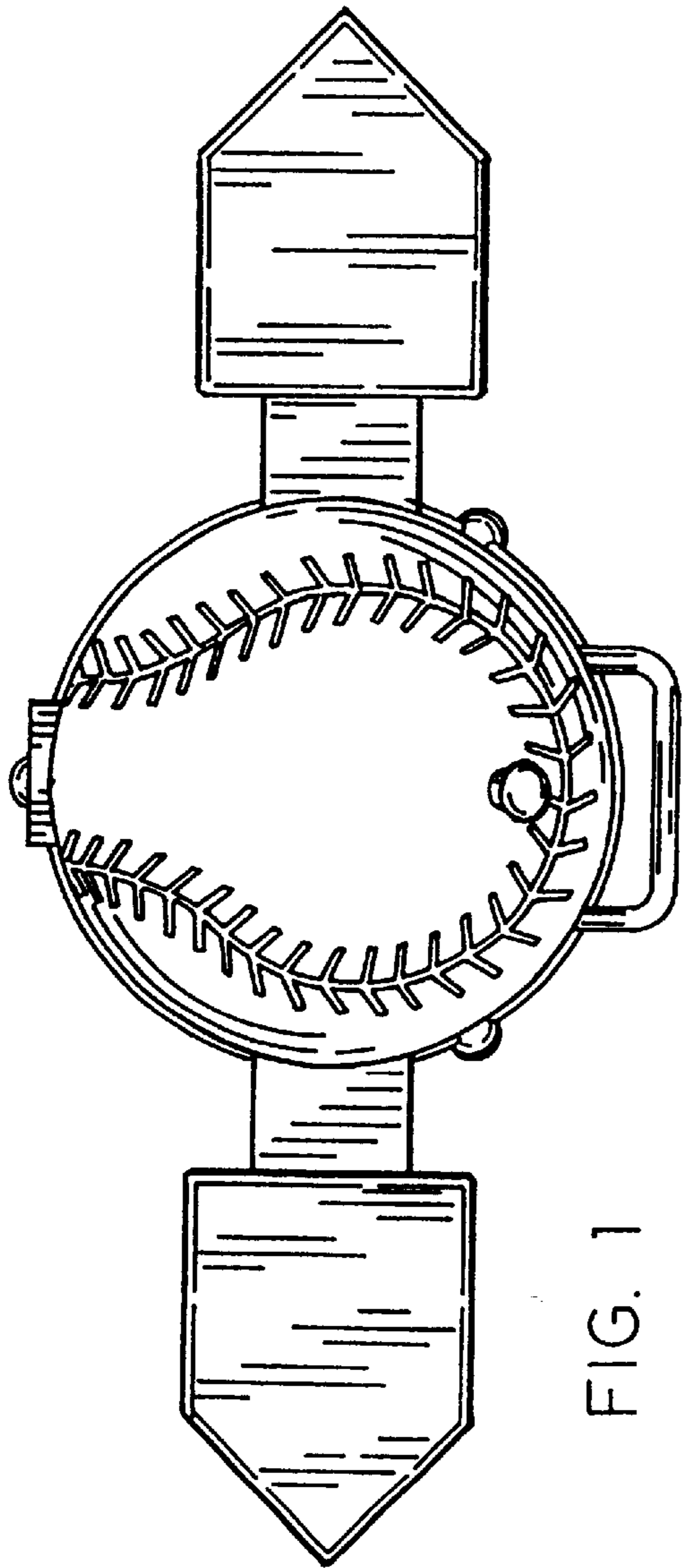


FIG. 1

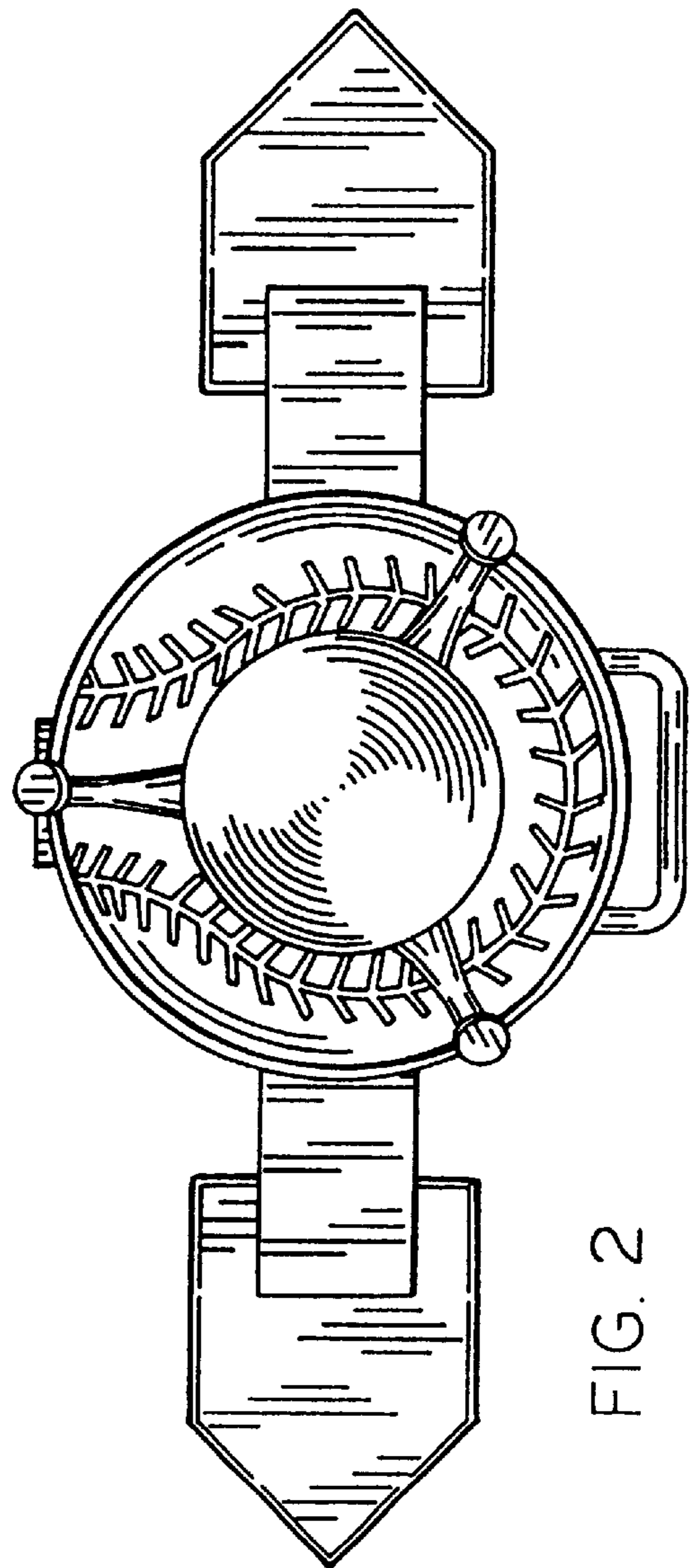


FIG. 2

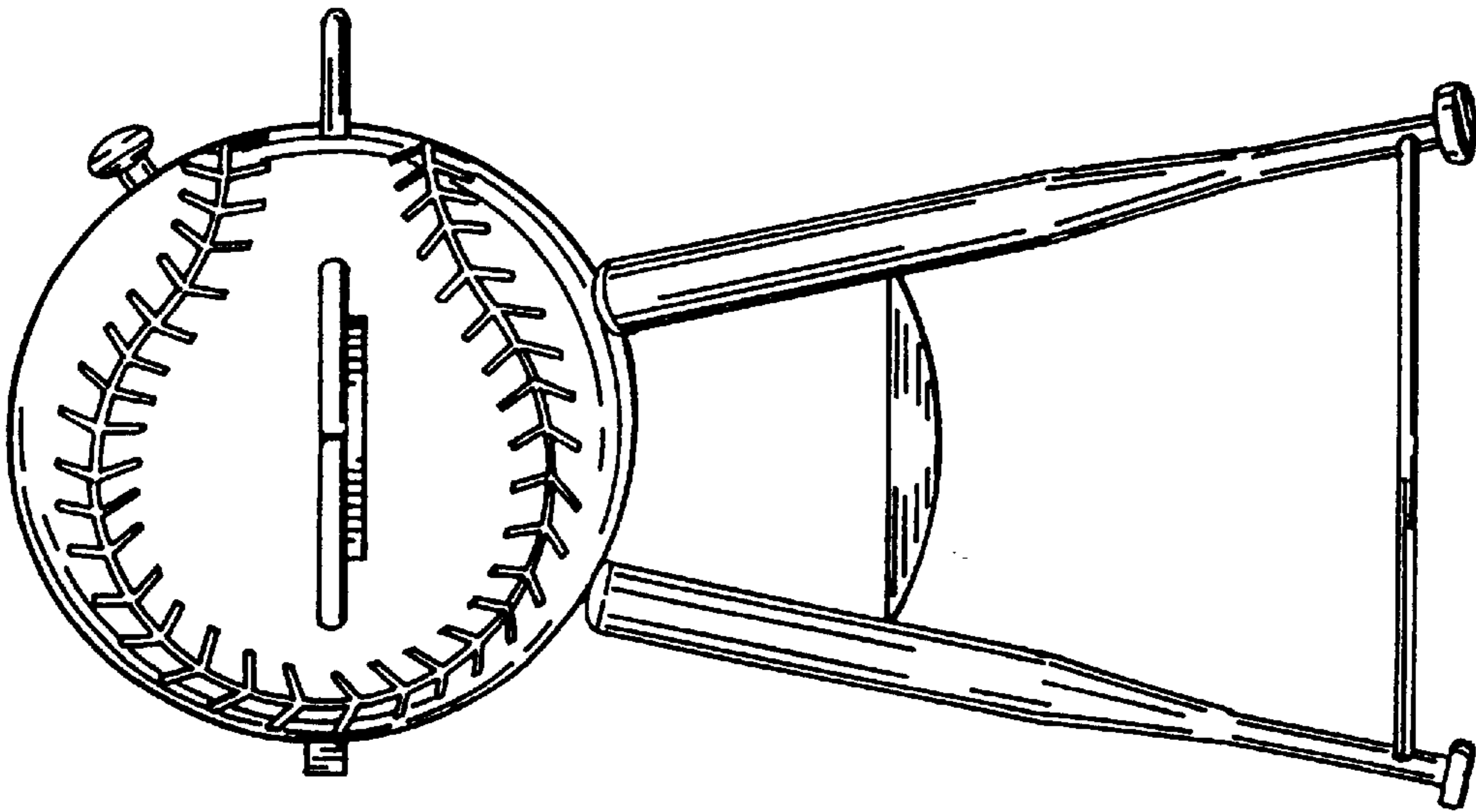


FIG. 3

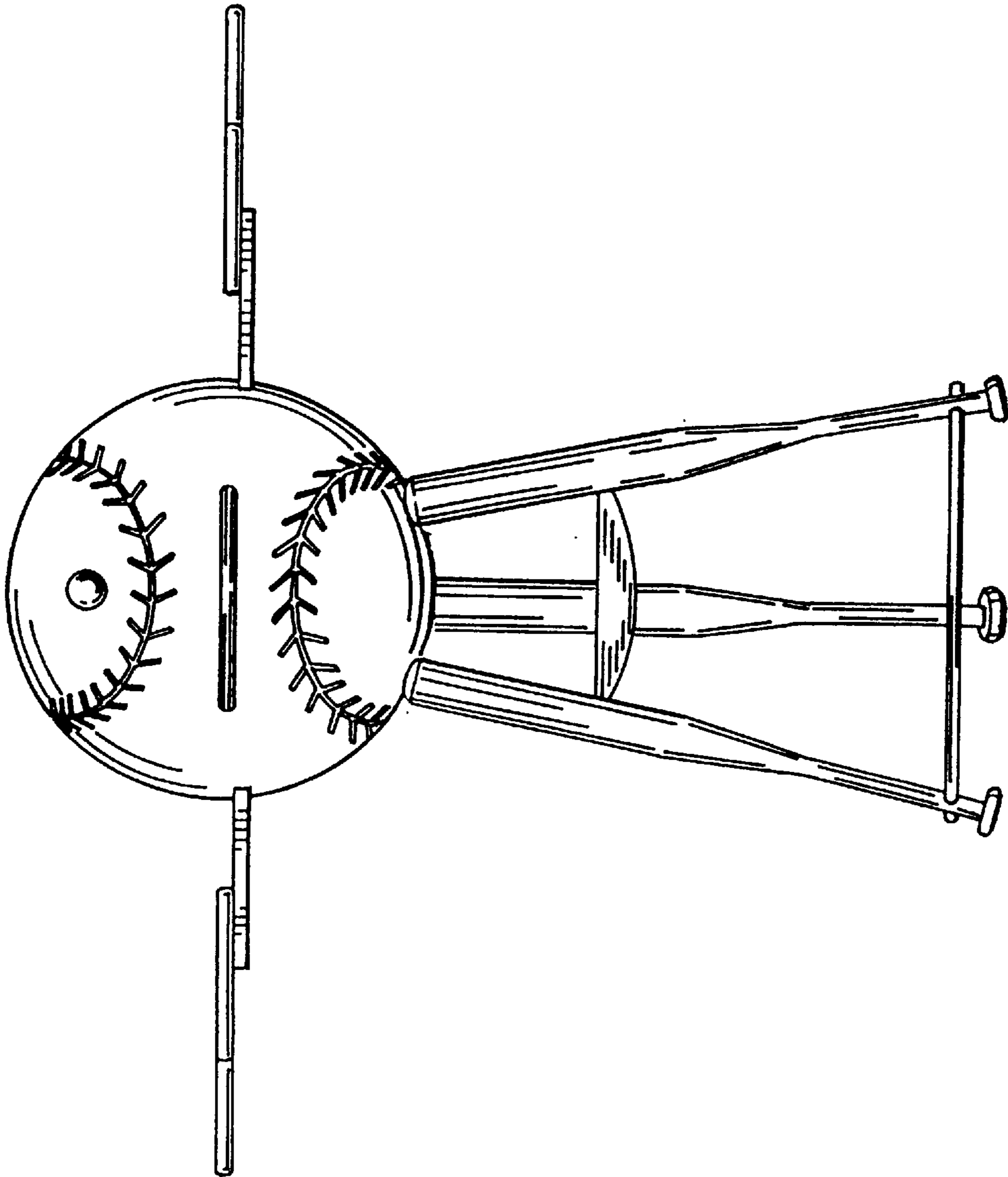


FIG. 5

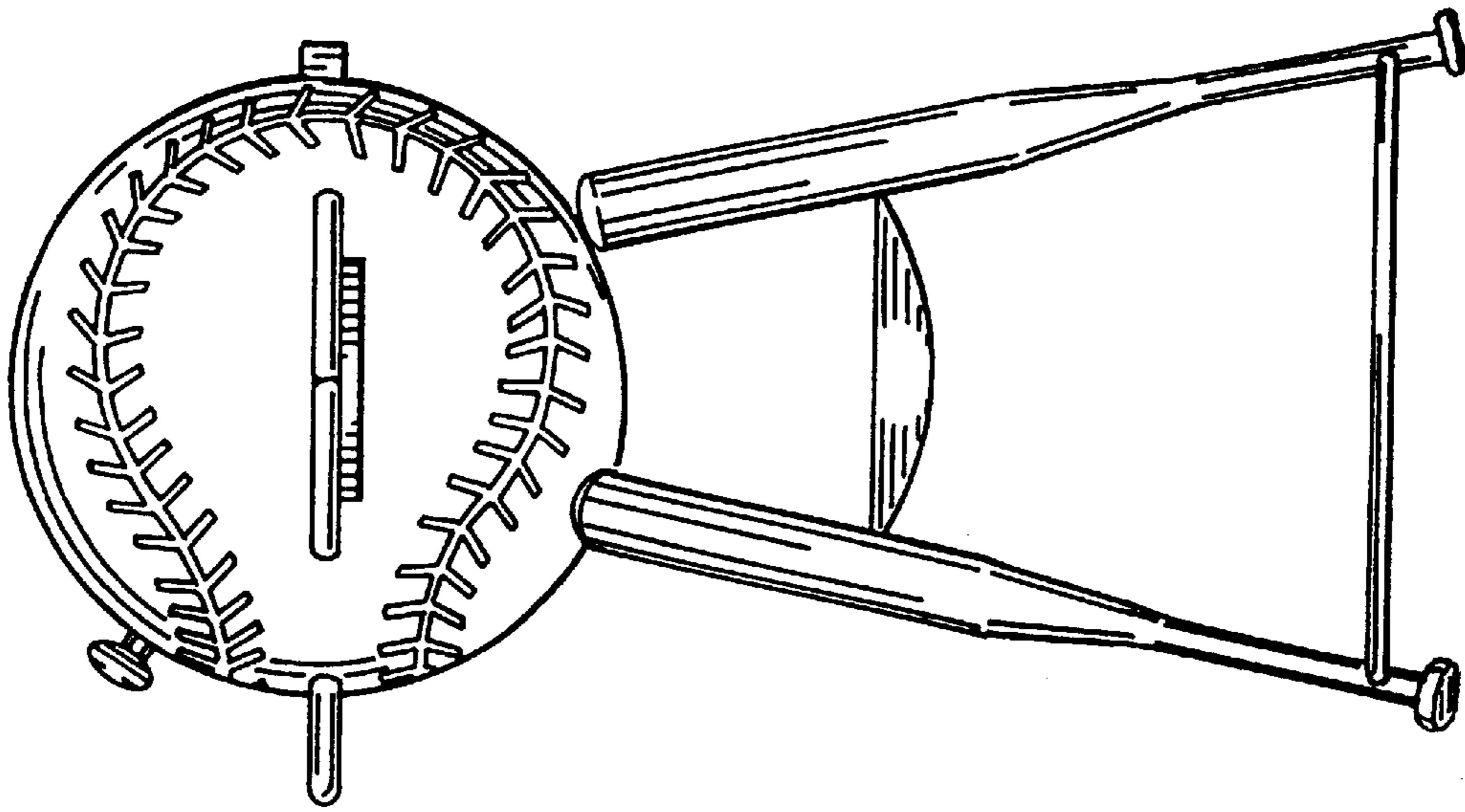


FIG. 4

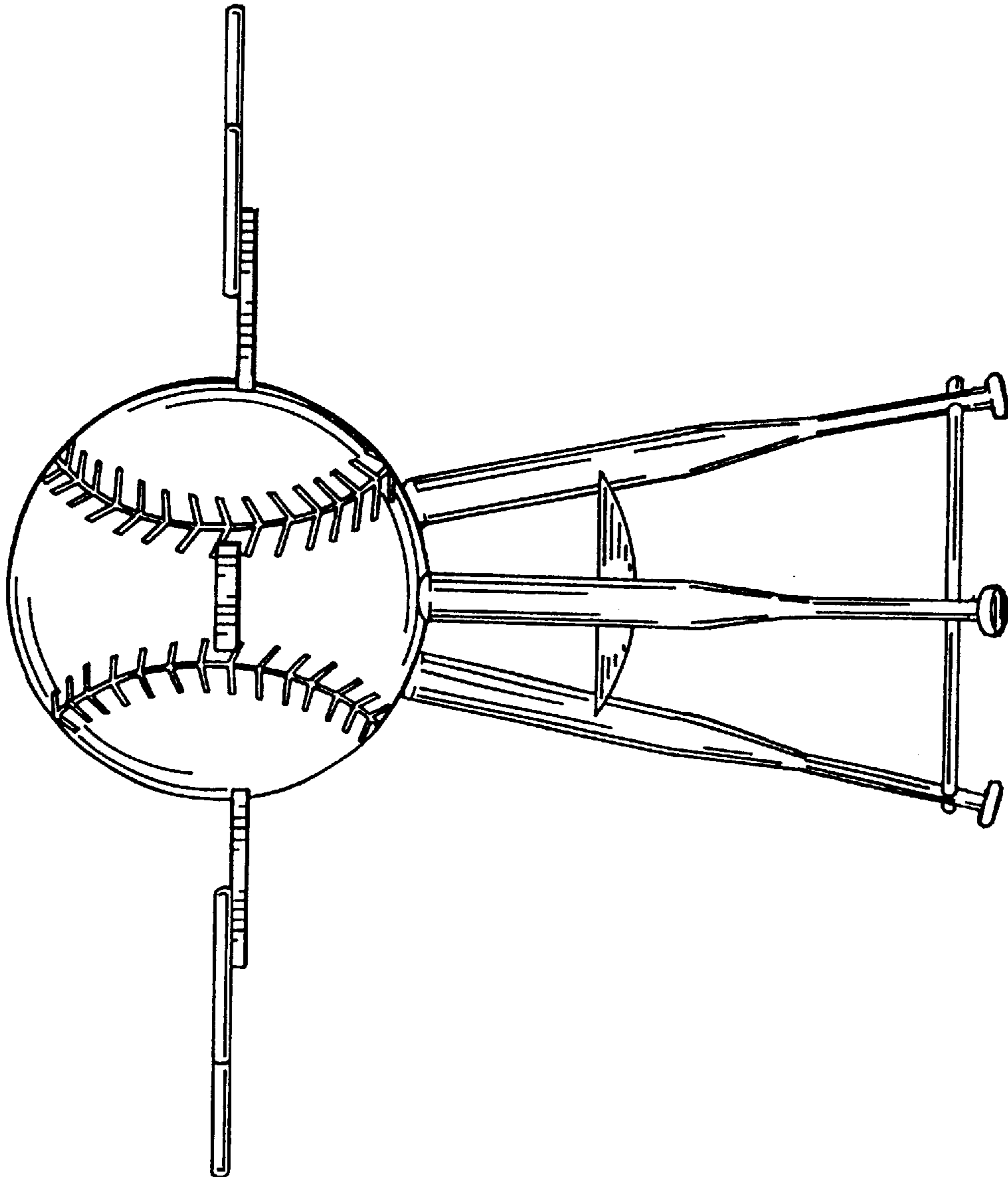


FIG. 6

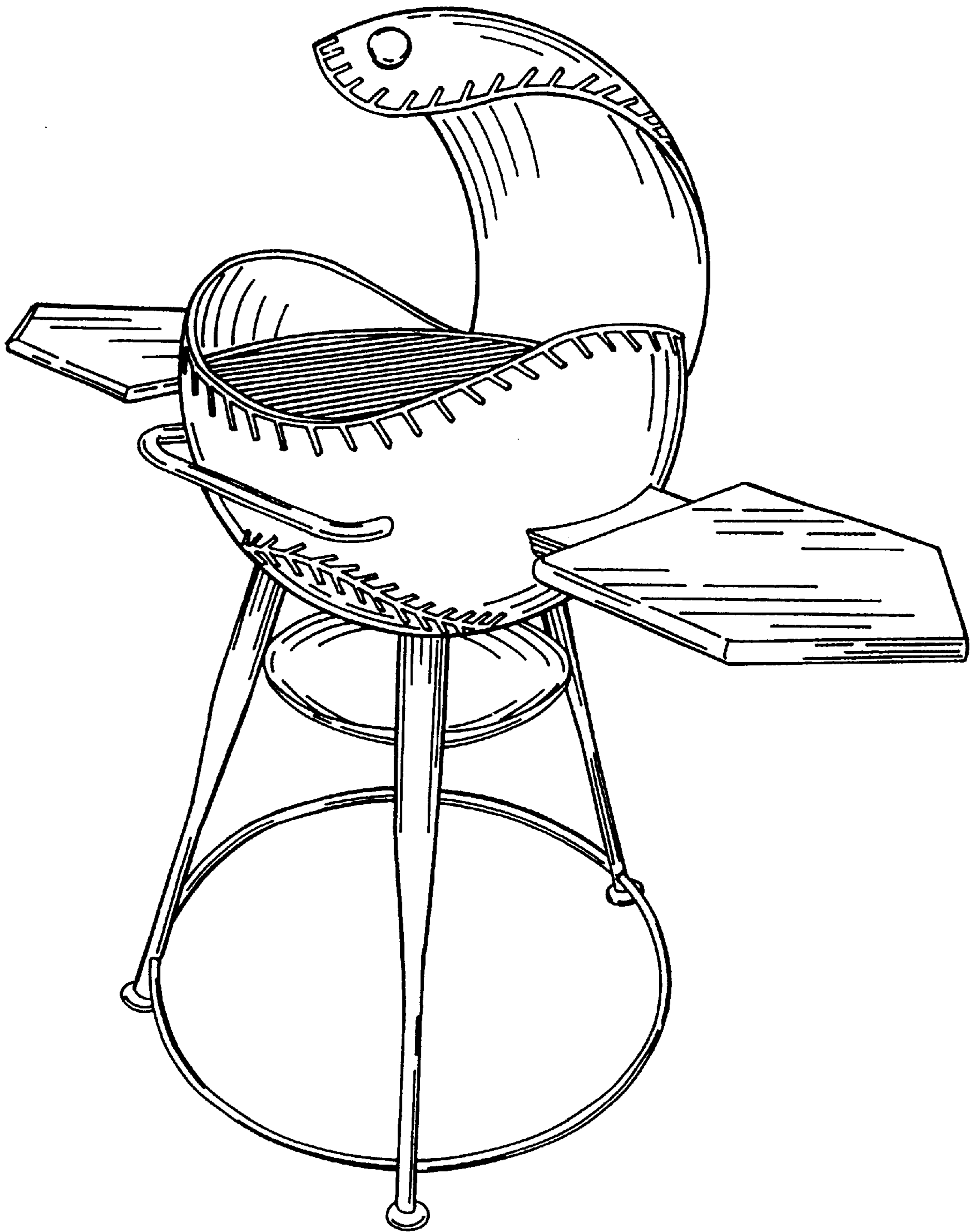


FIG. 7