



US00D465378S

(12) **United States Design Patent**
Hermansen et al.

(10) **Patent No.:** **US D465,378 S**

(45) **Date of Patent:** **** Nov. 12, 2002**

(54) **PORTABLE BARBEQUE GRILL**

(76) Inventors: **Arlen W. Hermansen**, 1916 Dean Rd., Paradise, CA (US) 95969; **Allan W. Hermansen**, 504 Sutter St., Petaluma, CA (US) 94954

(**) Term: **14 Years**

(21) Appl. No.: **29/139,065**

(22) Filed: **Mar. 21, 2001**

(51) **LOC (7) Cl.** **07-02**

(52) **U.S. Cl.** **D7/332**

(58) **Field of Search** D7/332, 334, 335, D7/336, 337, 402, 409; 126/25 R, 25 A, 25 AA, 41 R, 29-30, 9 R, 9 B, 506, 519, 38; 99/443, 450, 421 R; D3/905, 201, 203, 272, 276, 291

(56) **References Cited**

U.S. PATENT DOCUMENTS

2,419,344 A	4/1947	Eggleston	126/25
2,477,529 A	7/1949	Sprinkle et al.	126/9
2,985,164 A	5/1961	Imoto et al.	126/25
3,050,356 A *	8/1962	Messmer	312/201

(List continued on next page.)

Primary Examiner—Ruth McInroy

(74) *Attorney, Agent, or Firm*—Cameron Kerrigan Squire, Sanders and Dempsey, L.L.P.

(57) **CLAIM**

The ornamental design for a portable barbeque grill, as shown and described.

DESCRIPTION

FIG. 1 is a front-top perspective view of a portable barbeque grill showing our new design;

FIG. 2 is a side view of the portable barbeque grill of FIG. 1;

FIG. 3 is a bottom view of the portable barbeque grill of FIG. 1;

FIG. 4 is a top view of the portable barbeque grill of FIG. 1;

FIG. 5 is a front view of the portable barbeque grill of FIG. 1;

FIG. 6 is a rear view of the portable barbeque grill of FIG. 1;

FIG. 7 is a front-top perspective view of a second embodiment thereof;

FIG. 8 is a side view of the portable barbeque grill of FIG. 7;

FIG. 9 is a bottom view of the portable barbeque grill of FIG. 7;

FIG. 10 is a top view of the portable barbeque grill of FIG. 7;

FIG. 11 is a front view of the portable barbeque grill of FIG. 7;

FIG. 12 is a rear view of the portable barbeque grill of FIG. 7;

FIG. 13 is a front-top perspective view of a third embodiment thereof;

FIG. 14 is a side view of the portable barbeque grill of FIG. 13;

FIG. 15 is a bottom view of the portable barbeque grill of FIG. 13;

FIG. 16 is a top view of the portable barbeque grill of FIG. 13;

FIG. 17 is a front view of the portable barbeque grill of FIG. 13;

FIG. 18 is a rear view of the portable barbeque grill of FIG. 13;

FIG. 19 is a front-top perspective view of a fourth embodiment thereof;

FIG. 20 is a side view of the portable barbeque grill of FIG. 19;

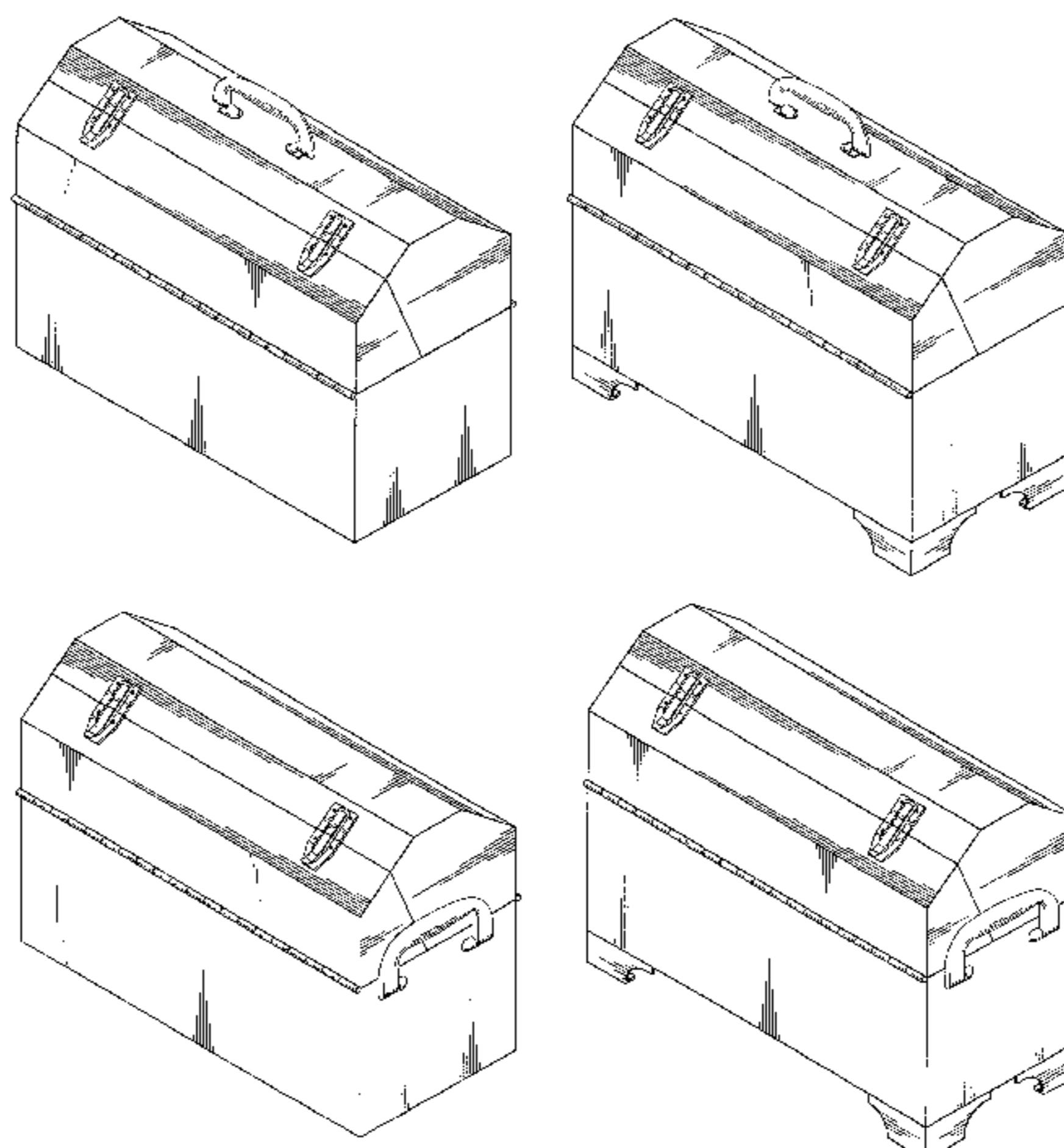
FIG. 21 is a bottom view of the portable barbeque grill of FIG. 19;

FIG. 22 is a top view of the portable barbeque grill of FIG. 19;

FIG. 23 is a front view of the portable barbeque grill of FIG. 19; and,

FIG. 24 is a rear view of the portable barbeque grill of FIG. 19.

1 Claim, 8 Drawing Sheets



US D465,378 S

Page 2

U.S. PATENT DOCUMENTS

3,380,444 A	4/1968	Stalker	126/25	D323,444 S	*	1/1992	Masters	D7/332
3,520,290 A	7/1970	Winters	126/25	5,437,222 A	*	8/1995	Franklin	99/450
D237,121 S	* 10/1975	Metzner	D3/284	5,501,142 A		3/1996	Bailey	99/482
D258,175 S	2/1981	Hazeltine	D3/74	D388,251 S		12/1997	Smith	D3/291
D281,836 S	12/1985	Sparkman	D3/74	5,947,105 A		9/1999	Scott et al.	126/9
D301,106 S	* 5/1989	Oliphant	D7/332	D420,244 S		2/2000	Pai	D7/332
4,840,118 A	* 6/1989	Rinehart	99/446	6,058,832 A		5/2000	Fountain	99/446
D302,641 S	* 8/1989	Elmburg	D7/332	D428,760 S		8/2000	Huang	D7/334
D303,061 S	8/1989	Fountain, Sr.	D7/332	D430,776 S		9/2000	Pai	D7/402
5,032,183 A	* 7/1991	Frazier	134/5	6,213,004 B1	*	4/2001	Franco	99/421 H

* cited by examiner

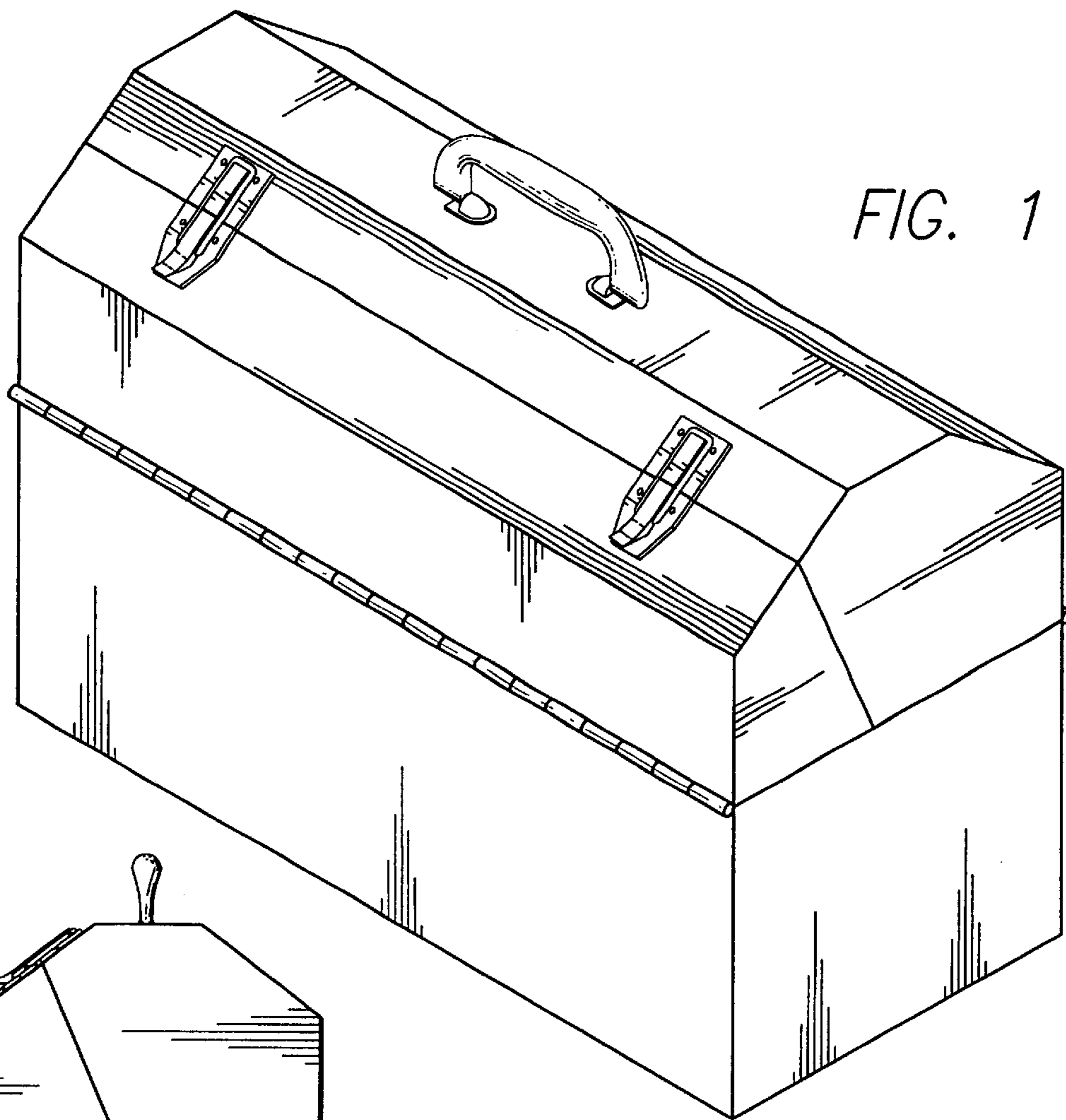


FIG. 1

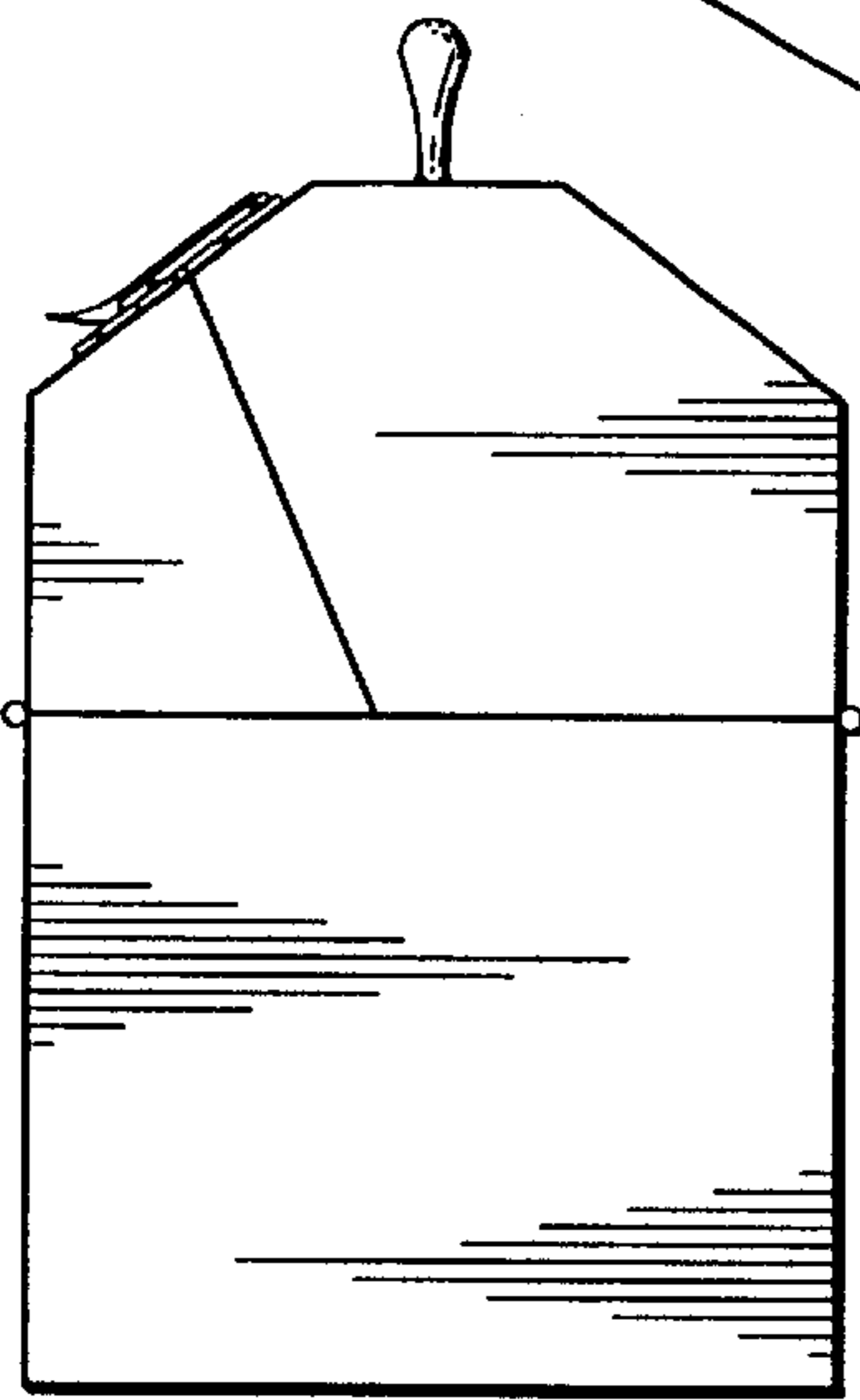


FIG. 2

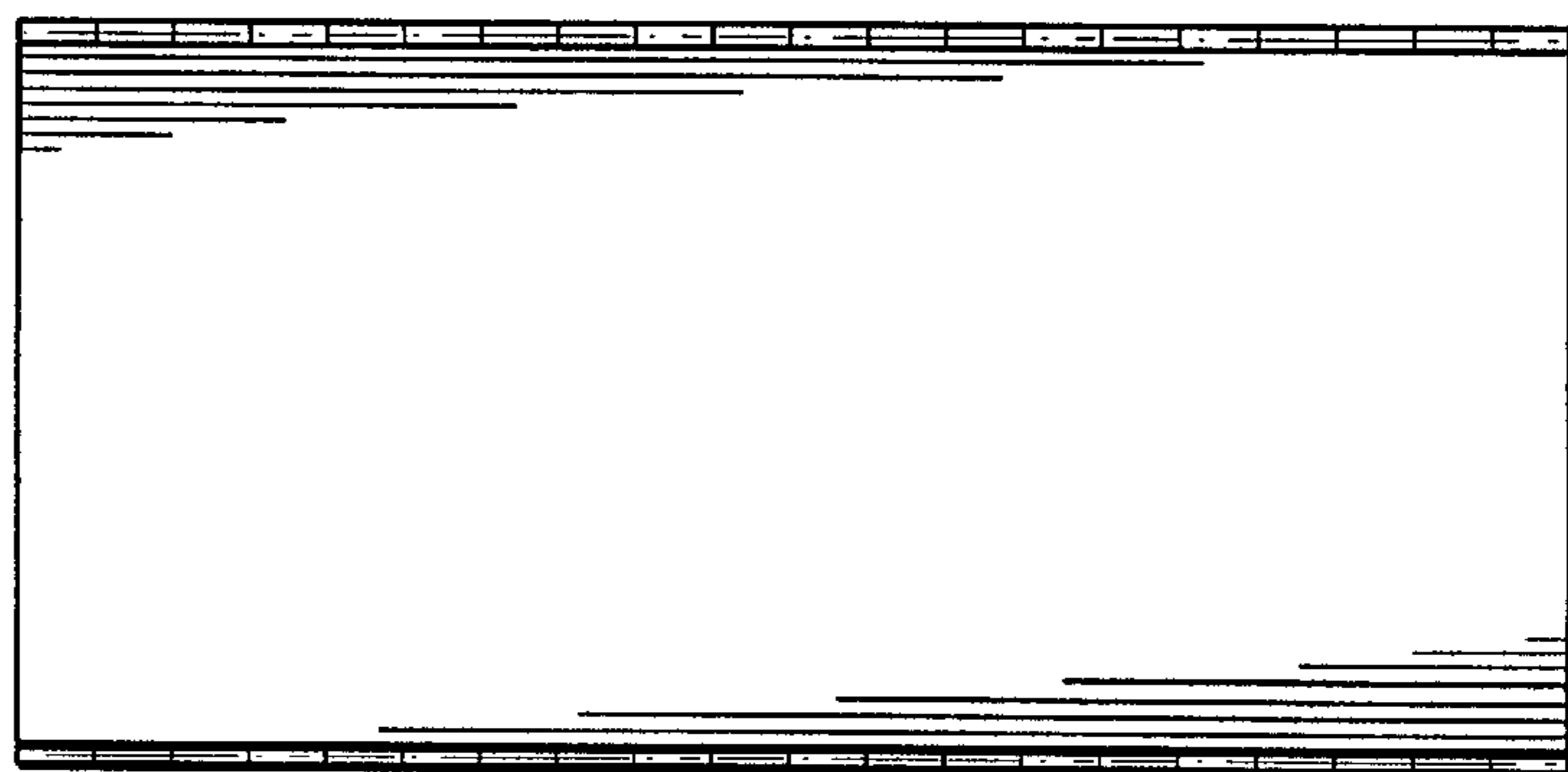


FIG. 3

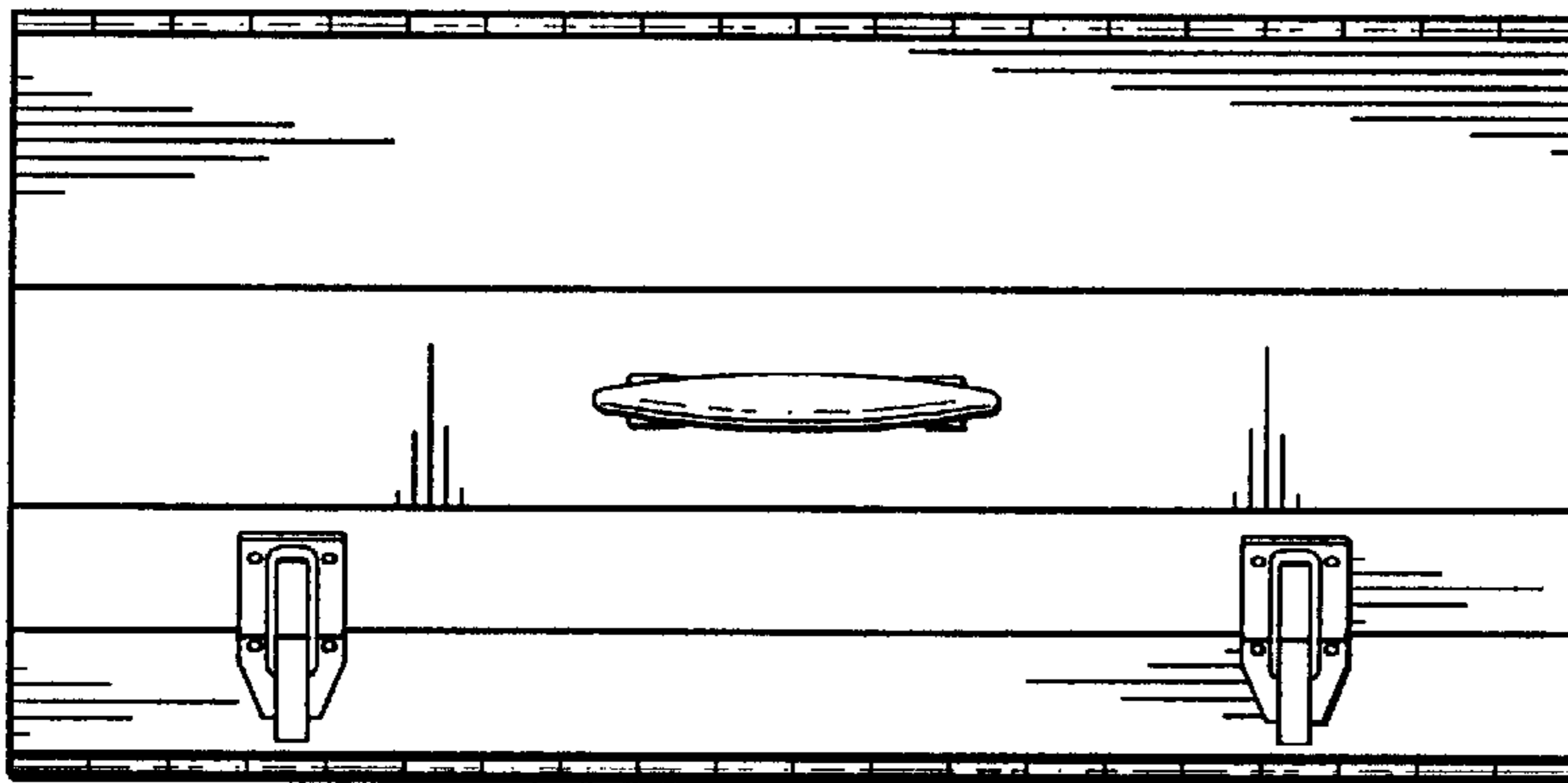


FIG. 4

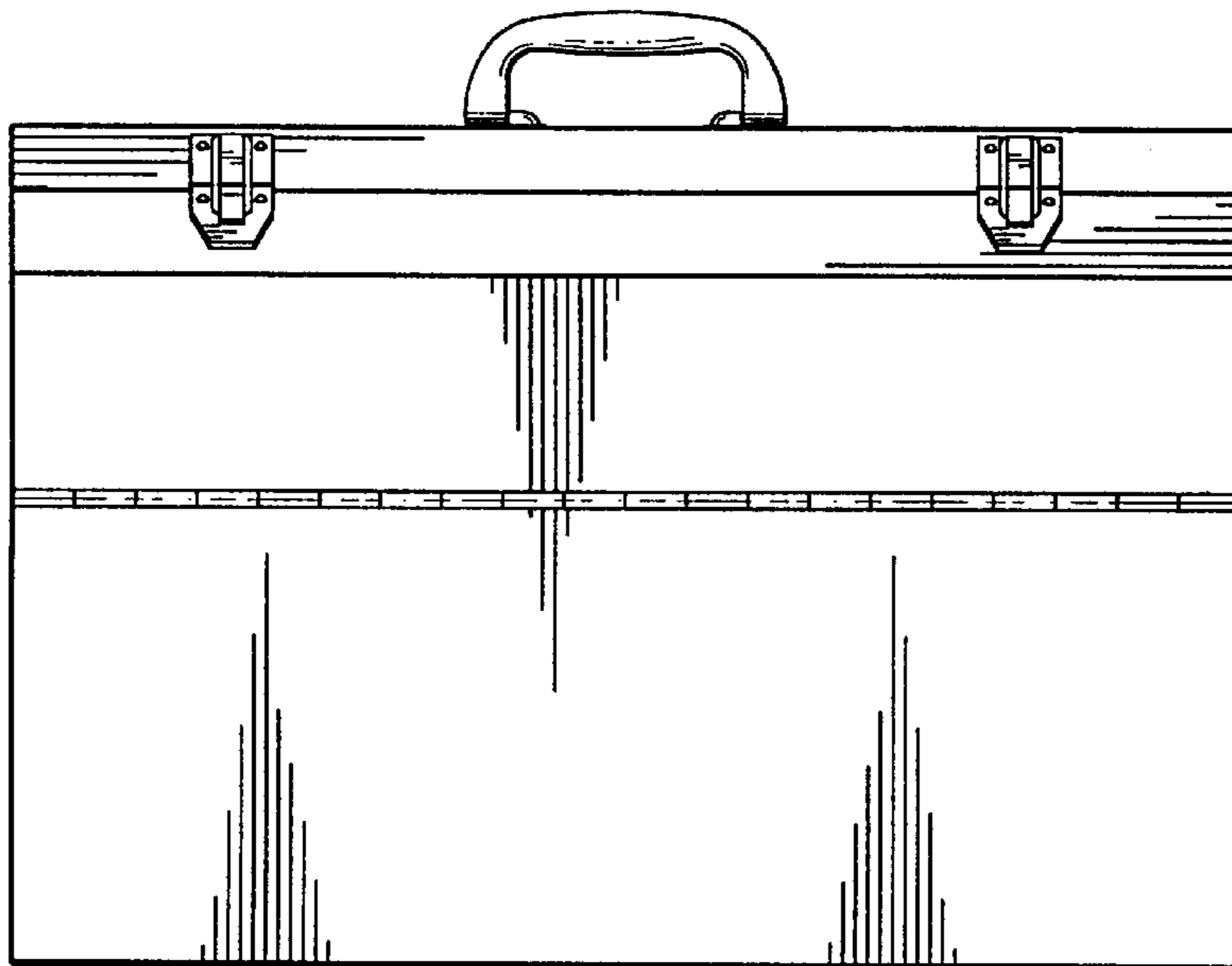
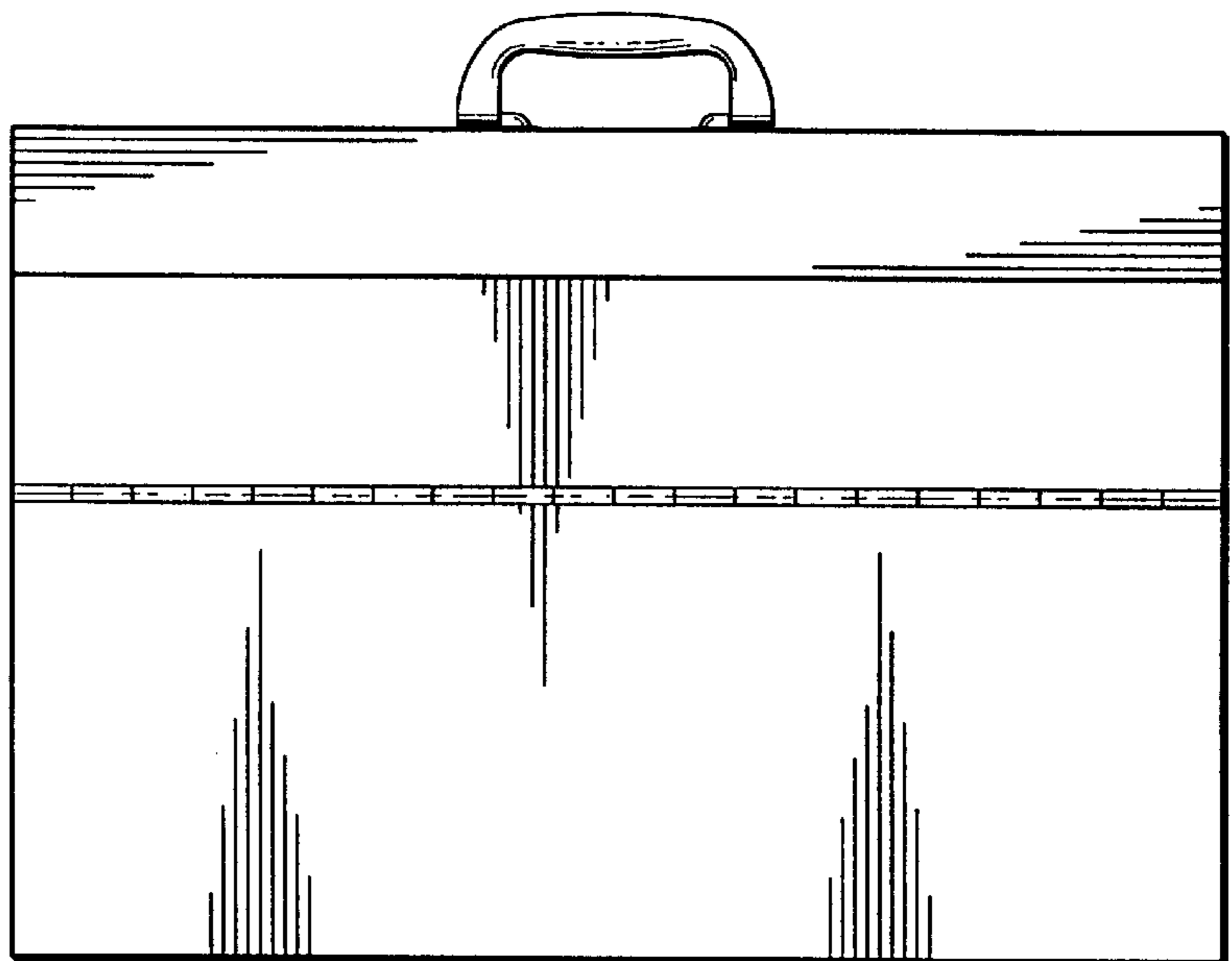


FIG. 5

FIG. 6



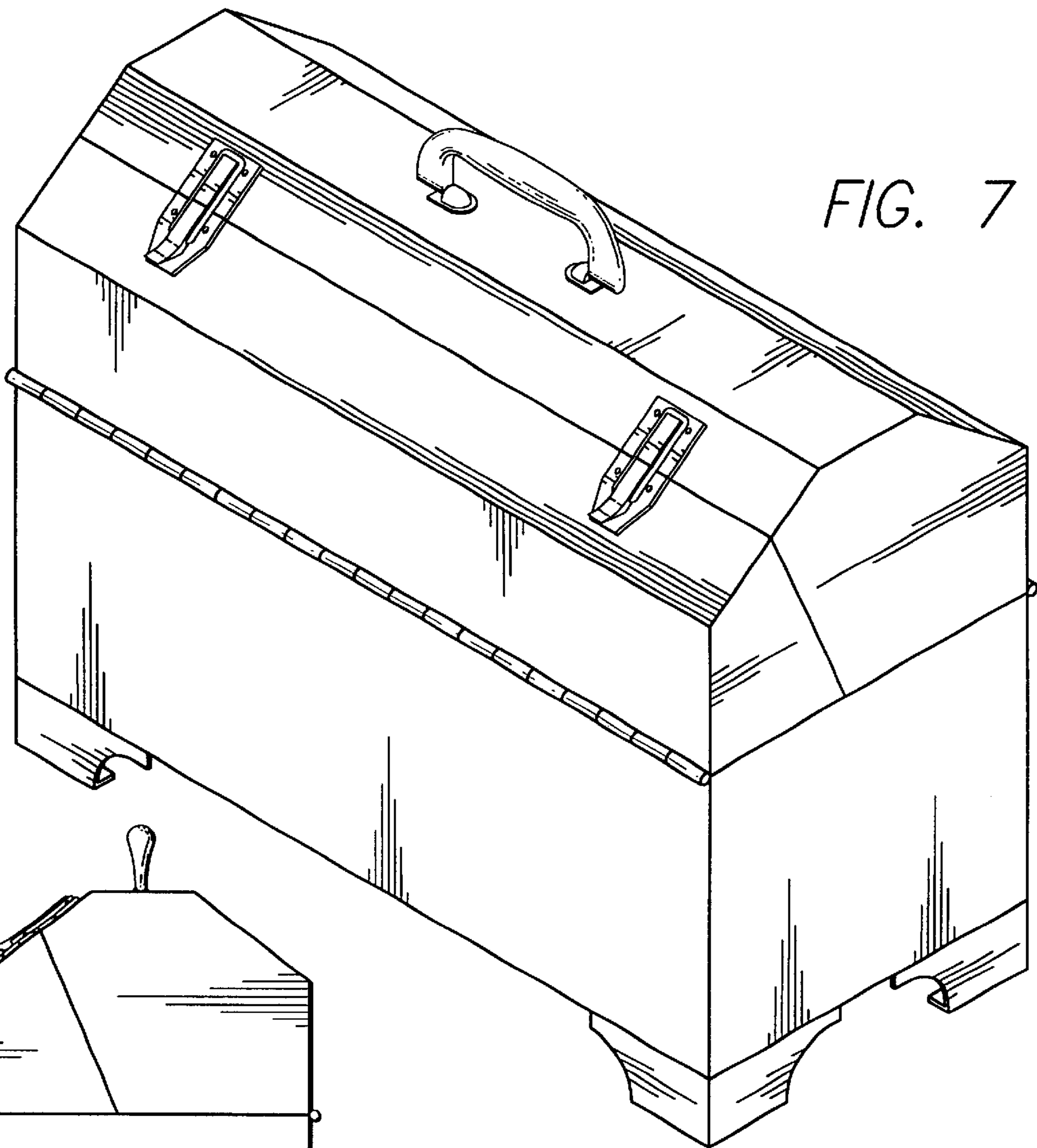


FIG. 7

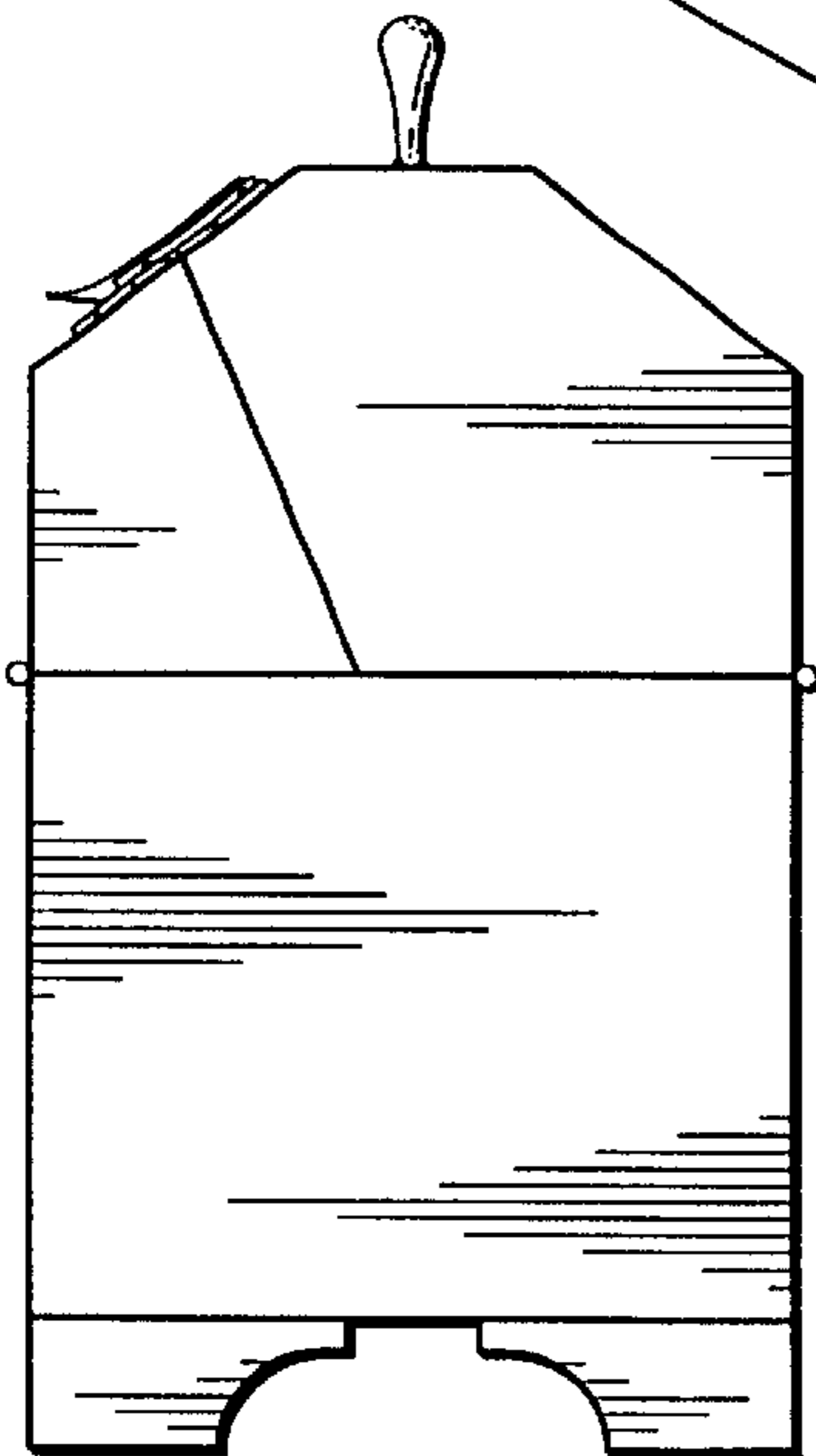
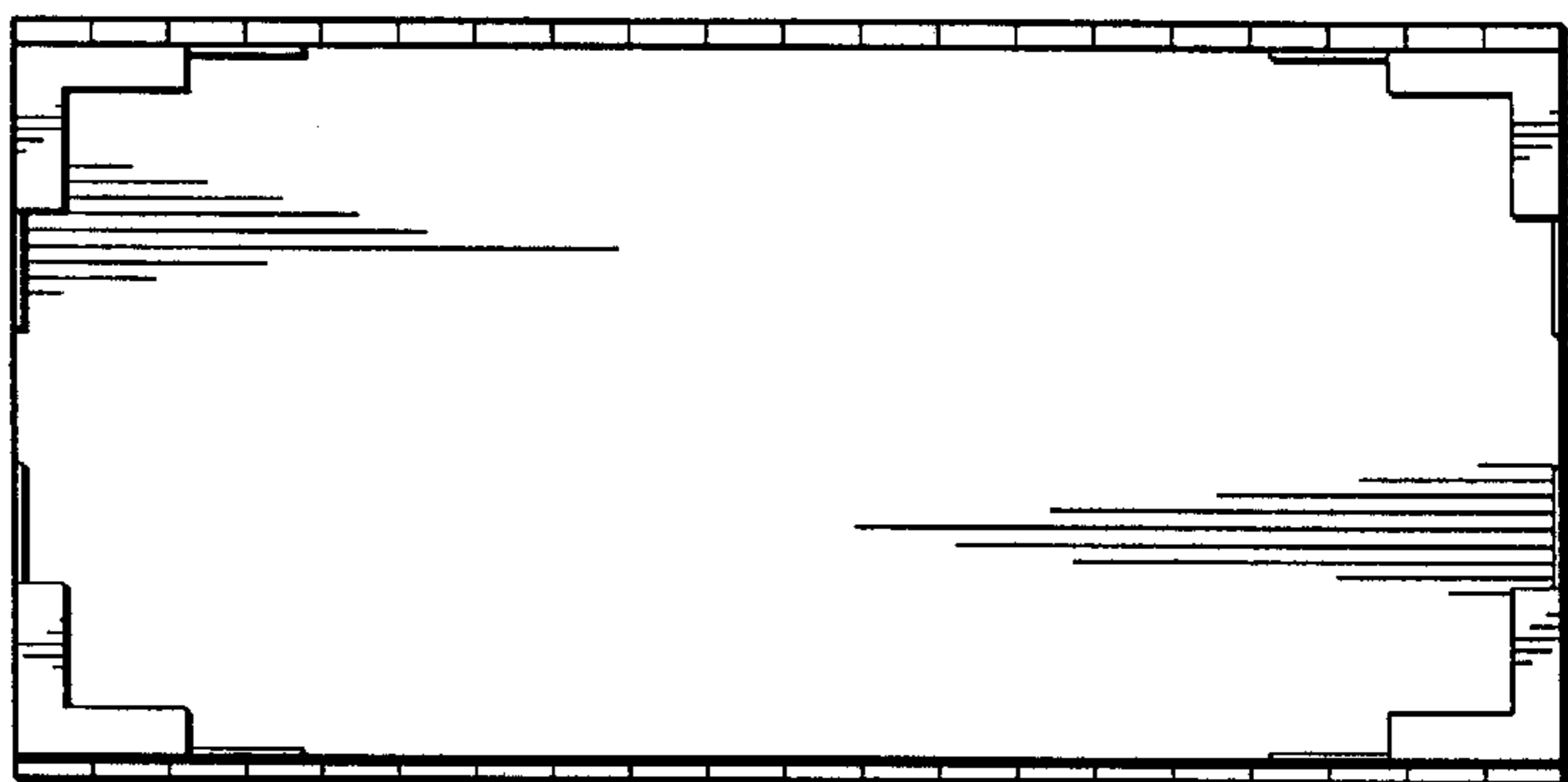


FIG. 8

FIG. 9



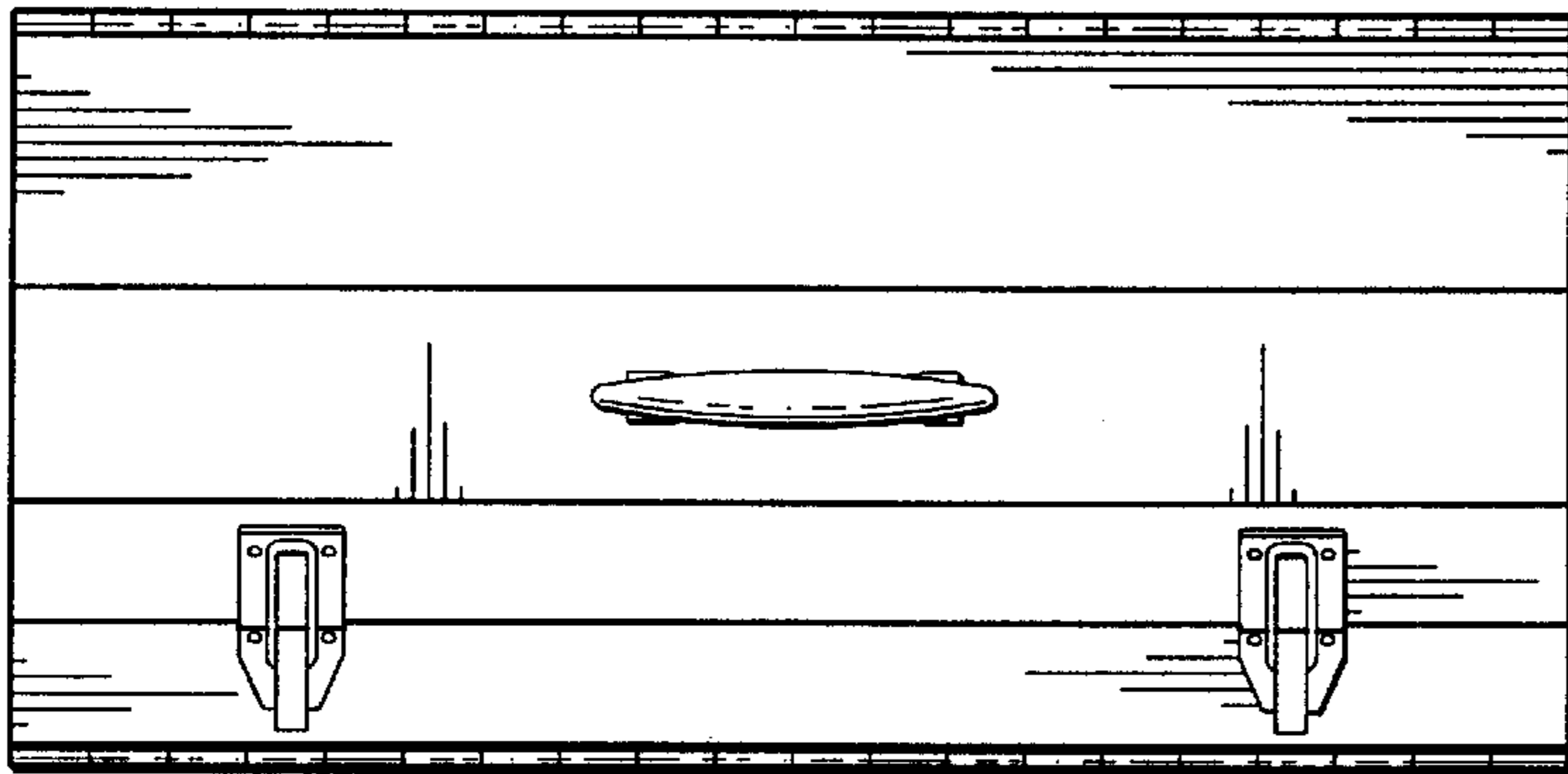


FIG. 10

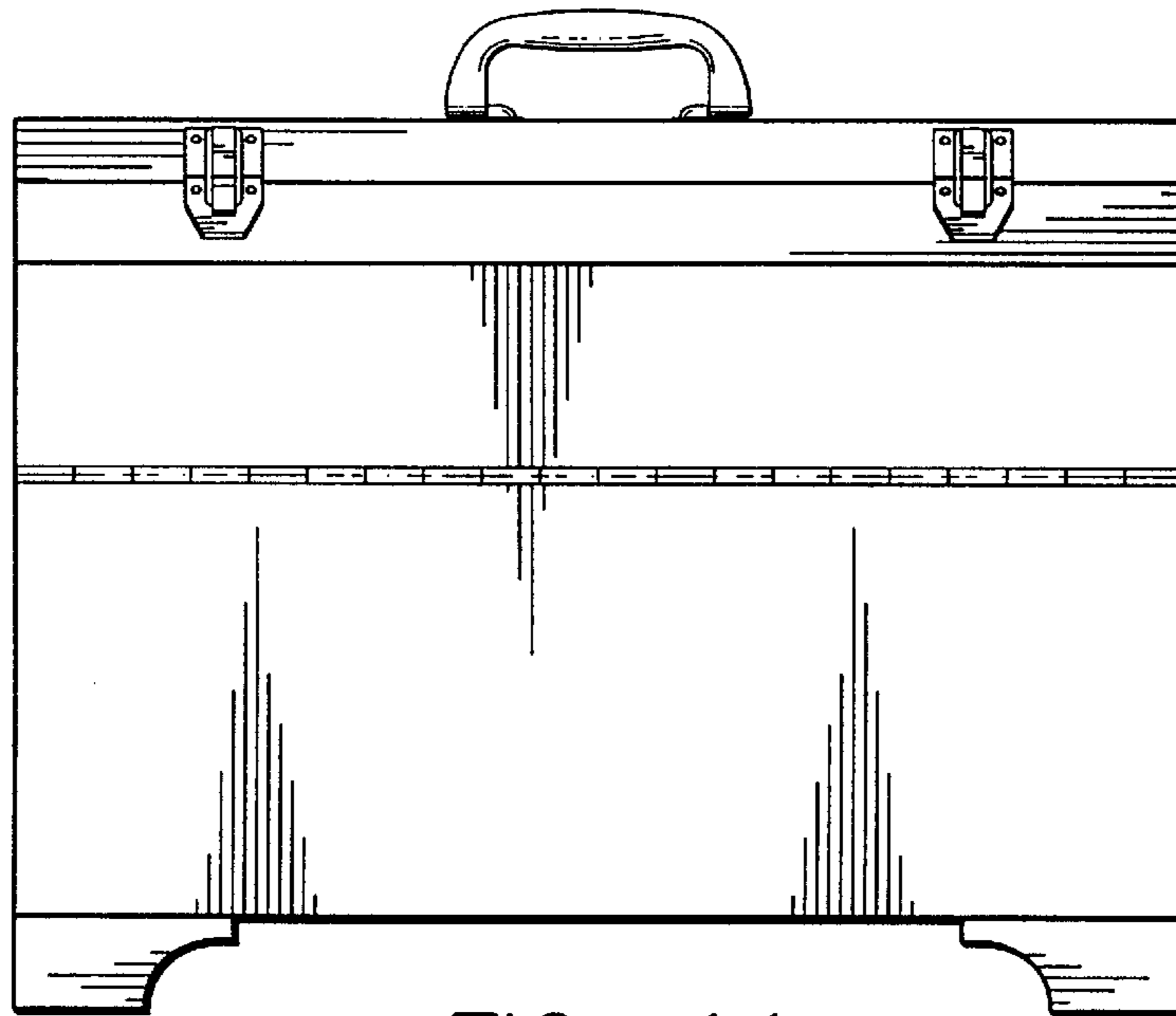
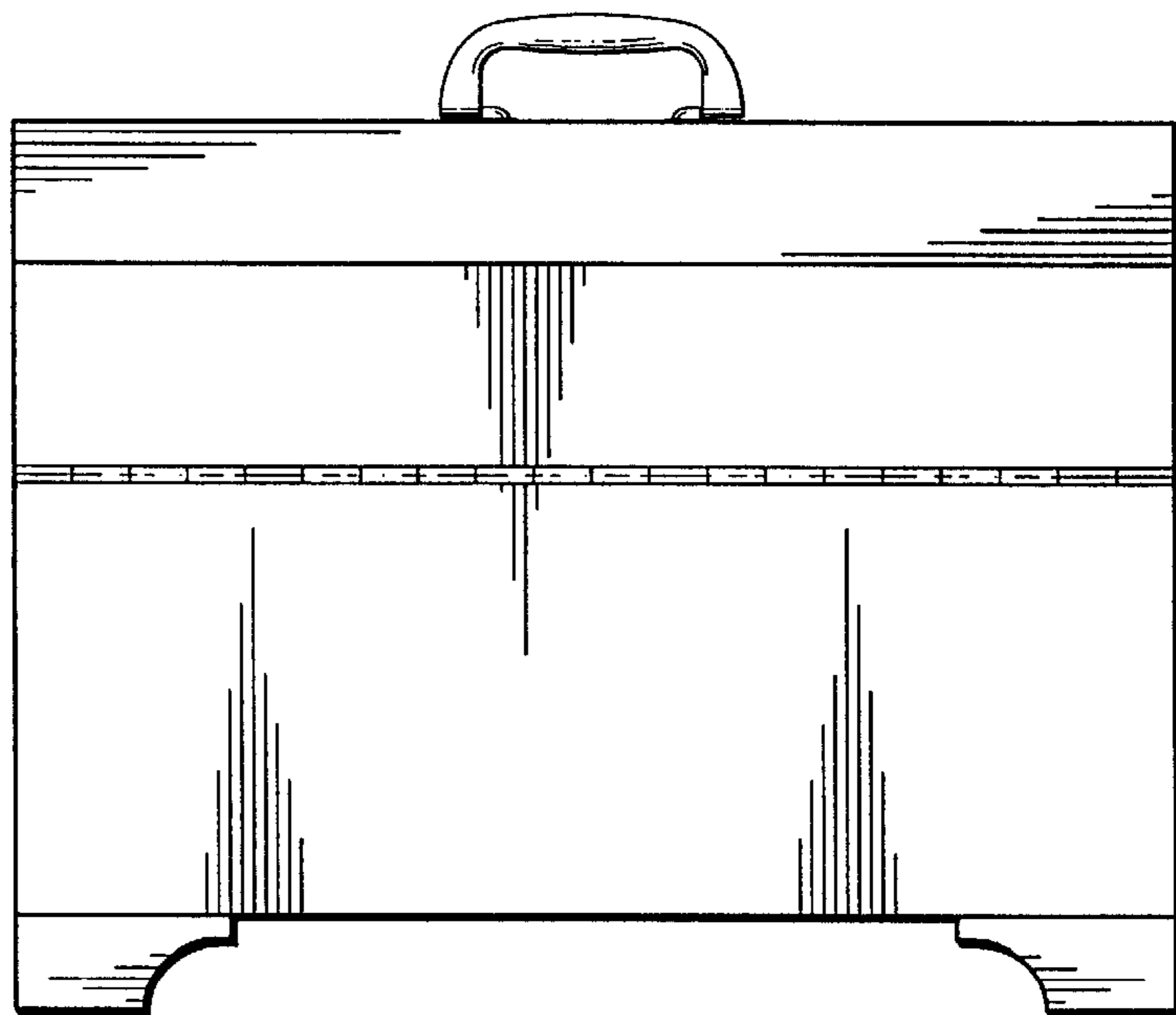


FIG. 11

FIG. 12



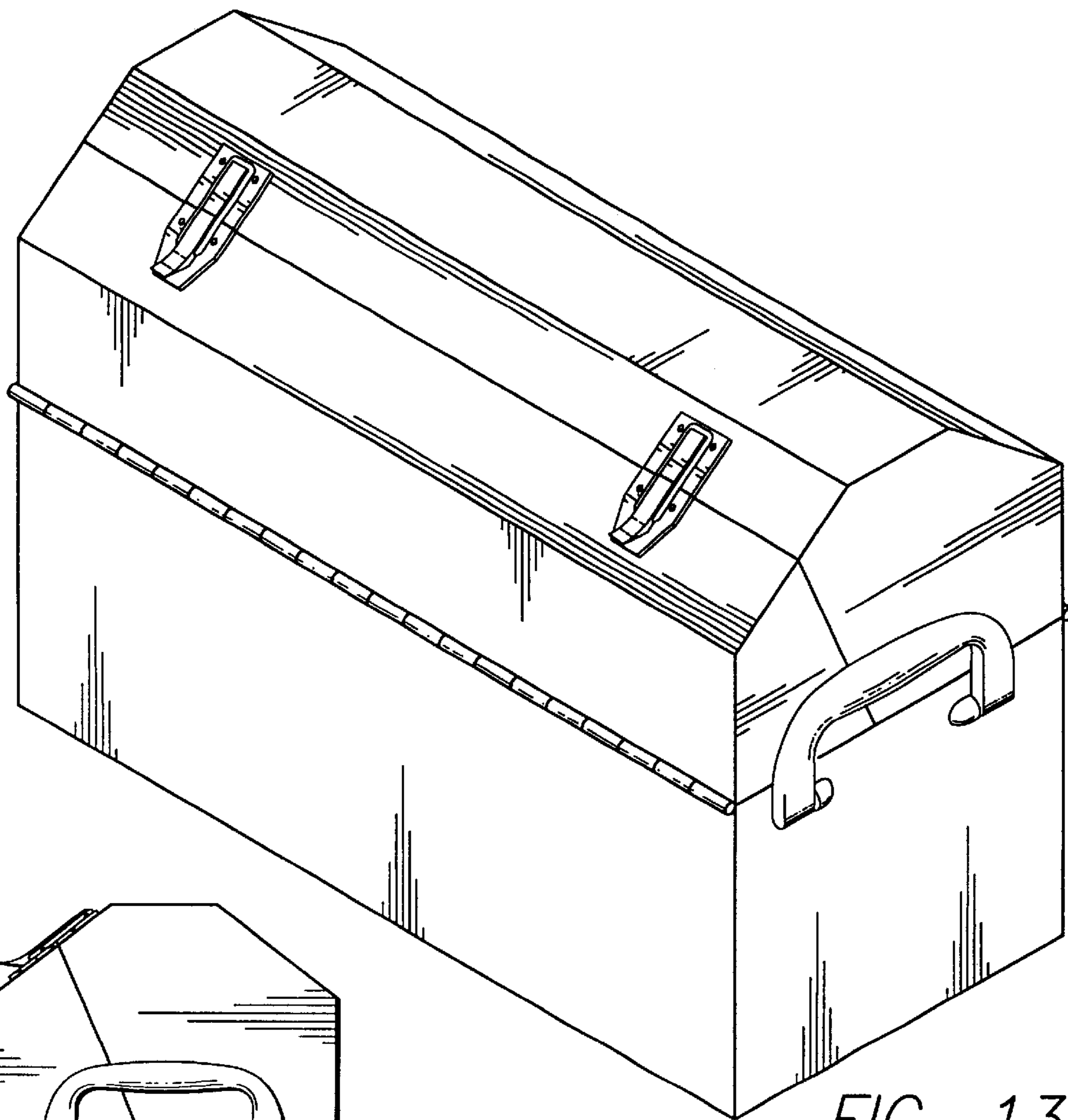


FIG. 13

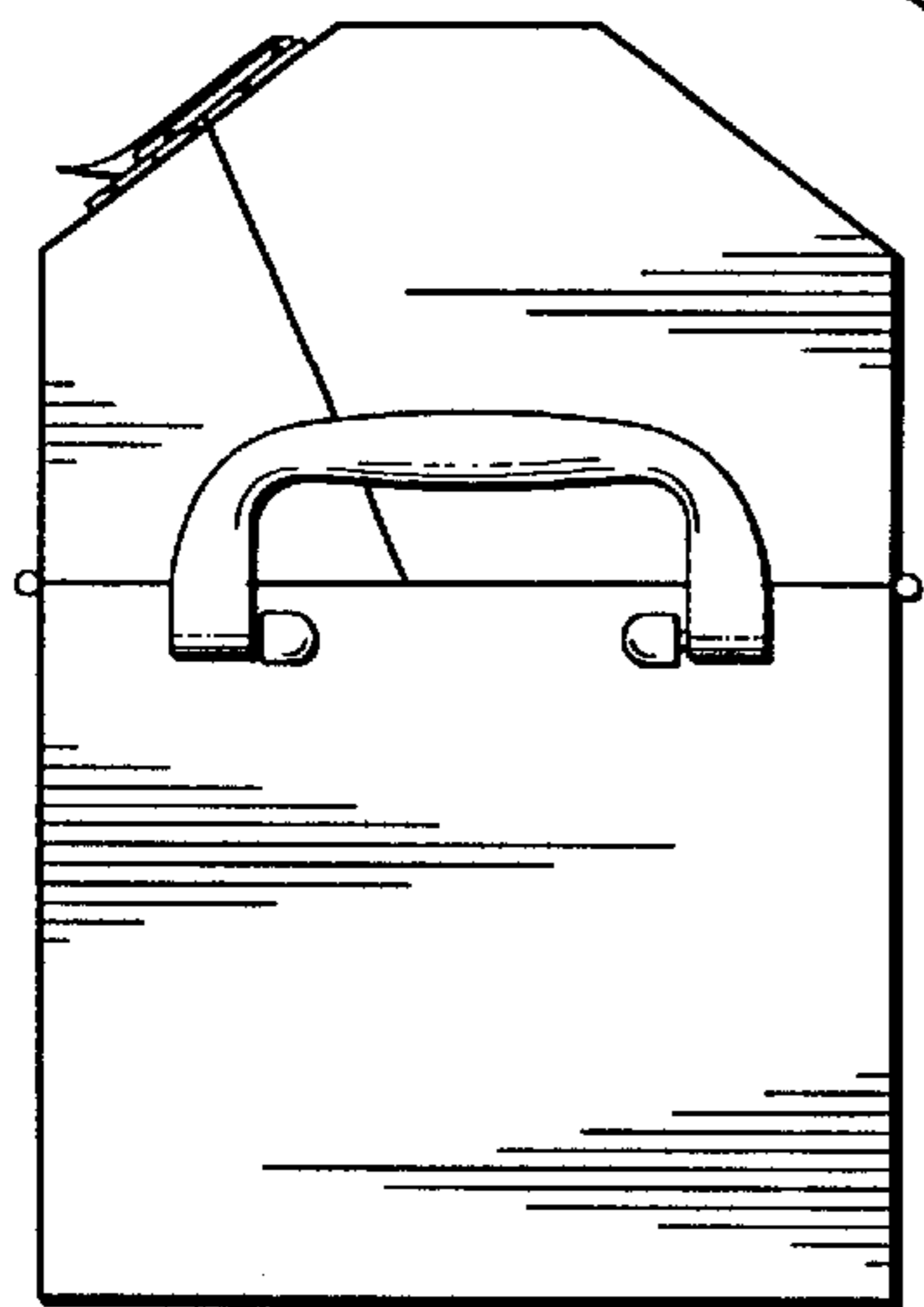


FIG. 14

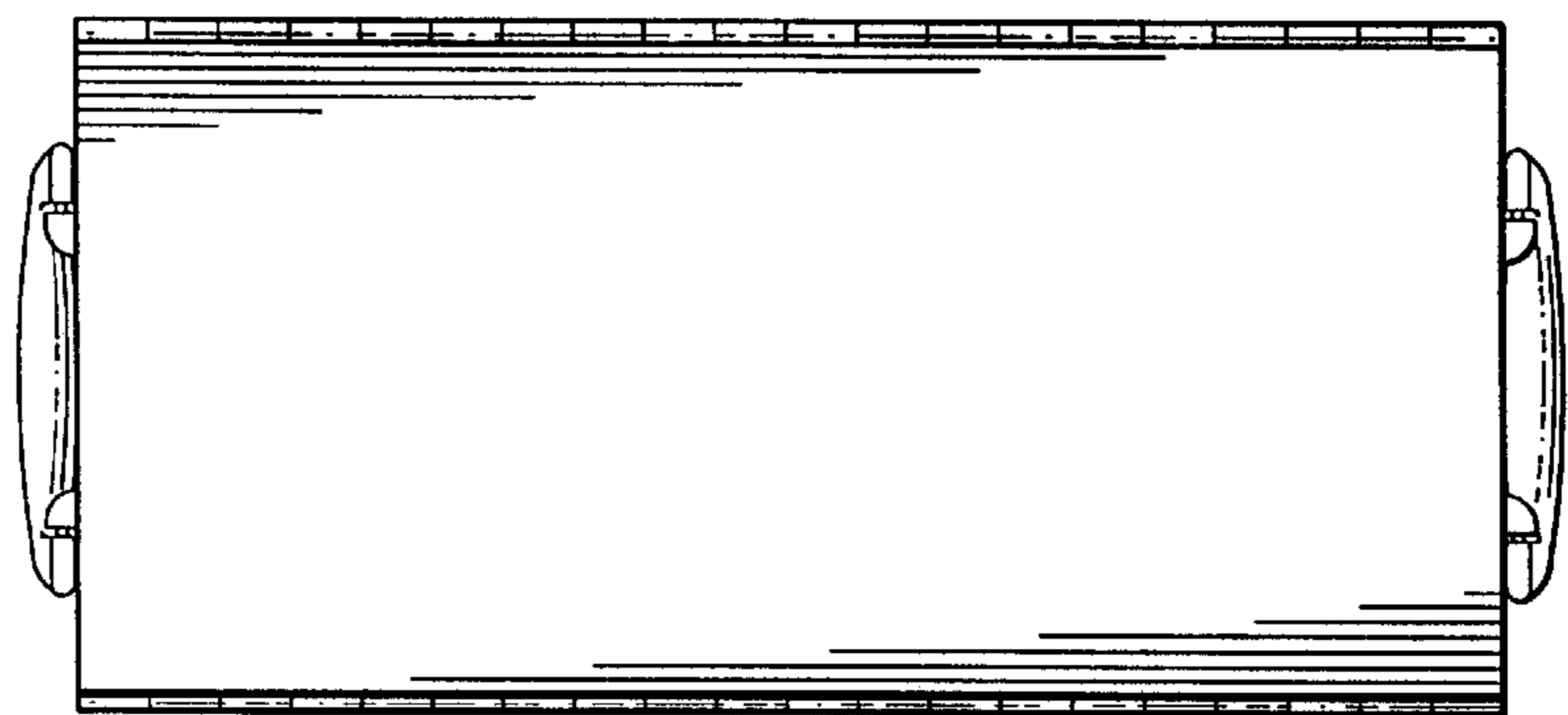


FIG. 15

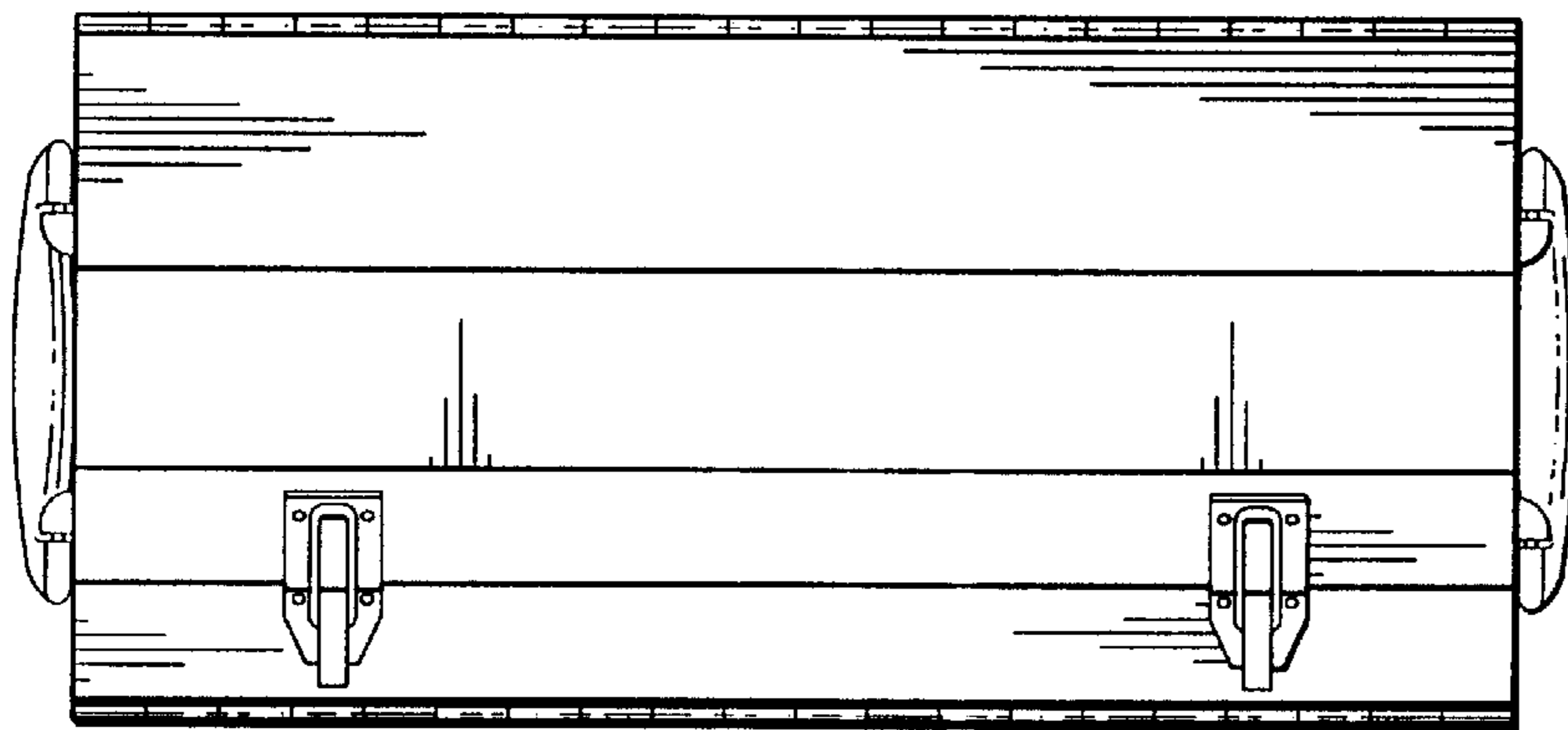


FIG. 16

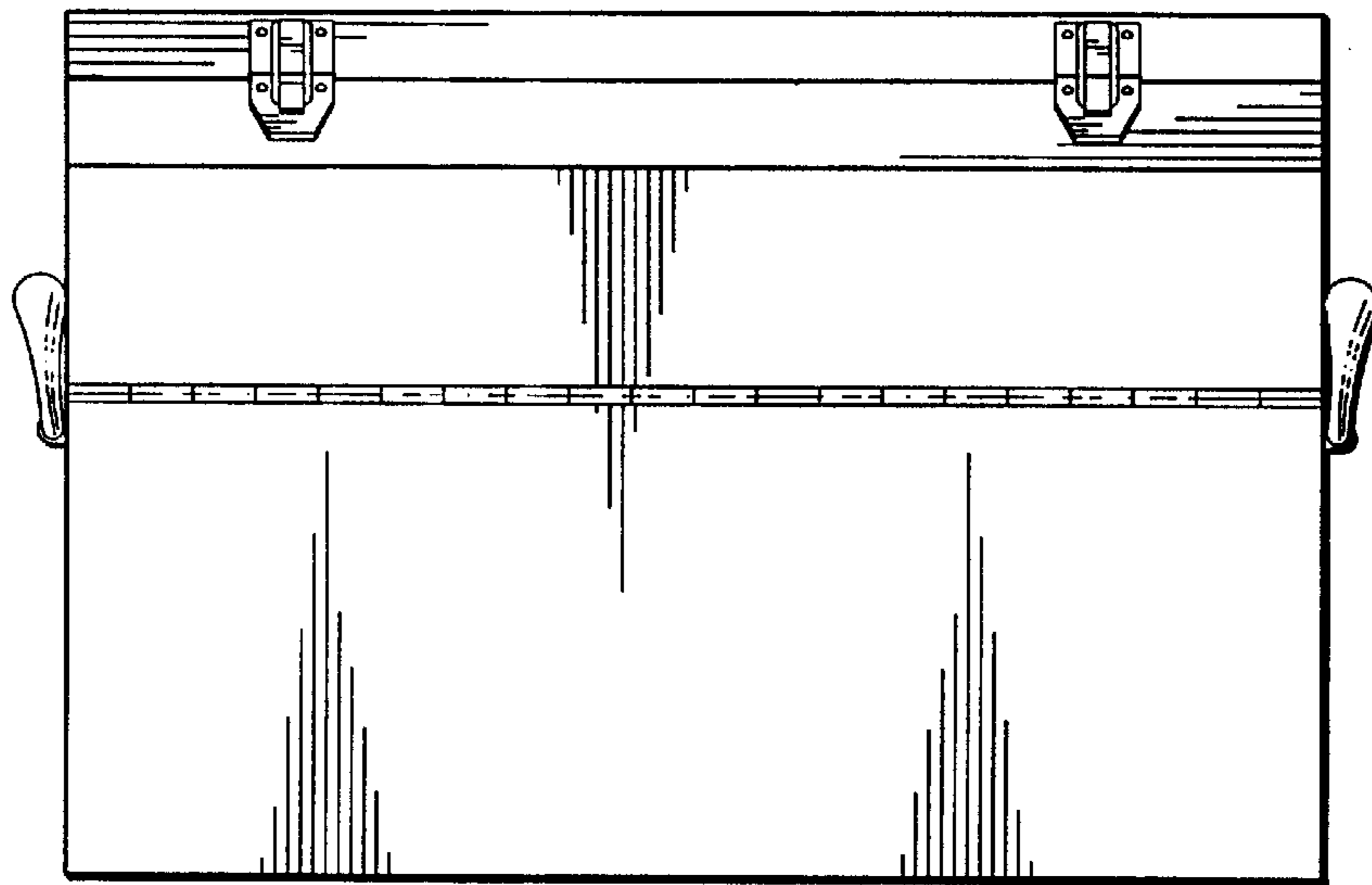


FIG. 17

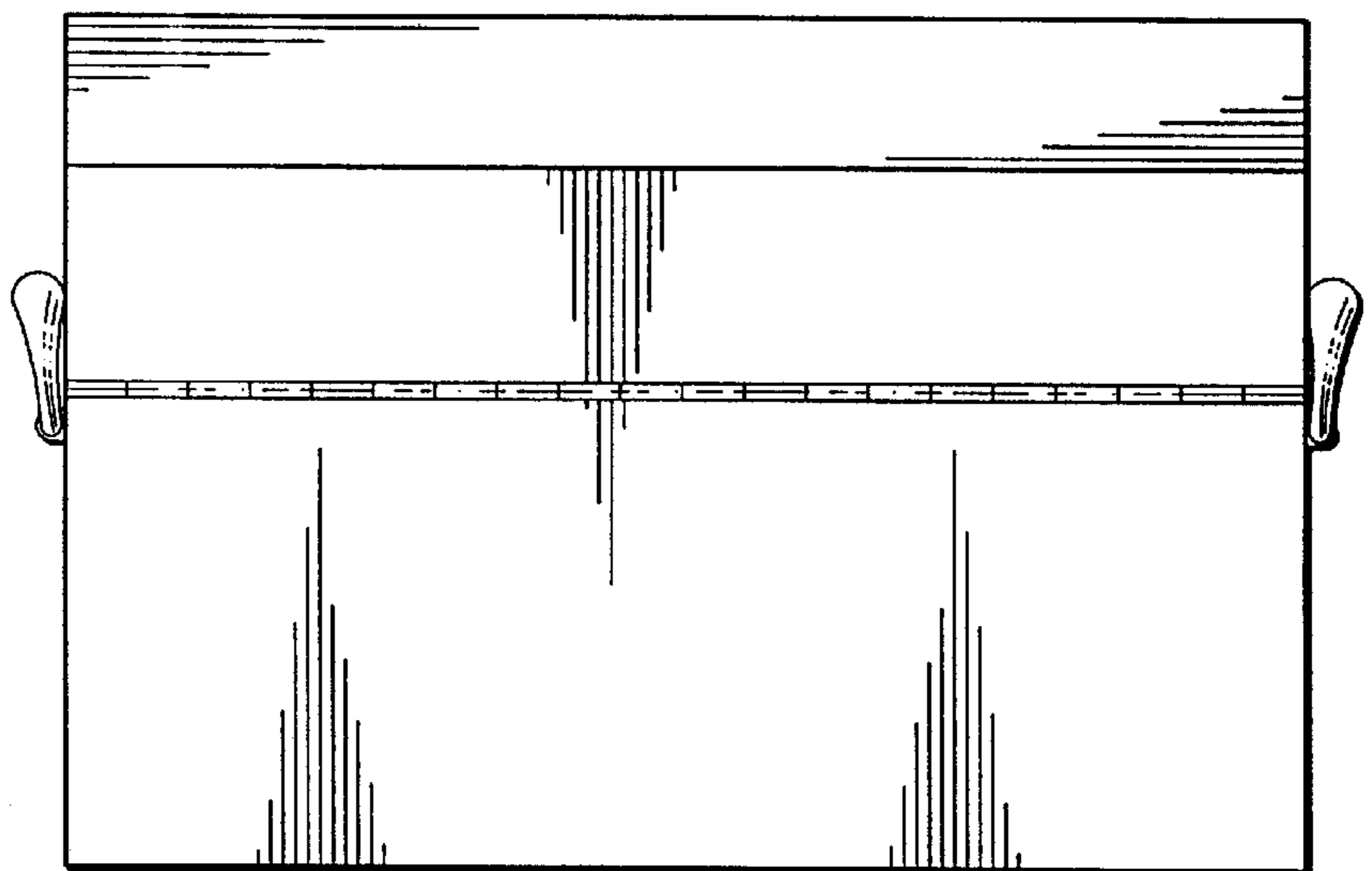


FIG. 18

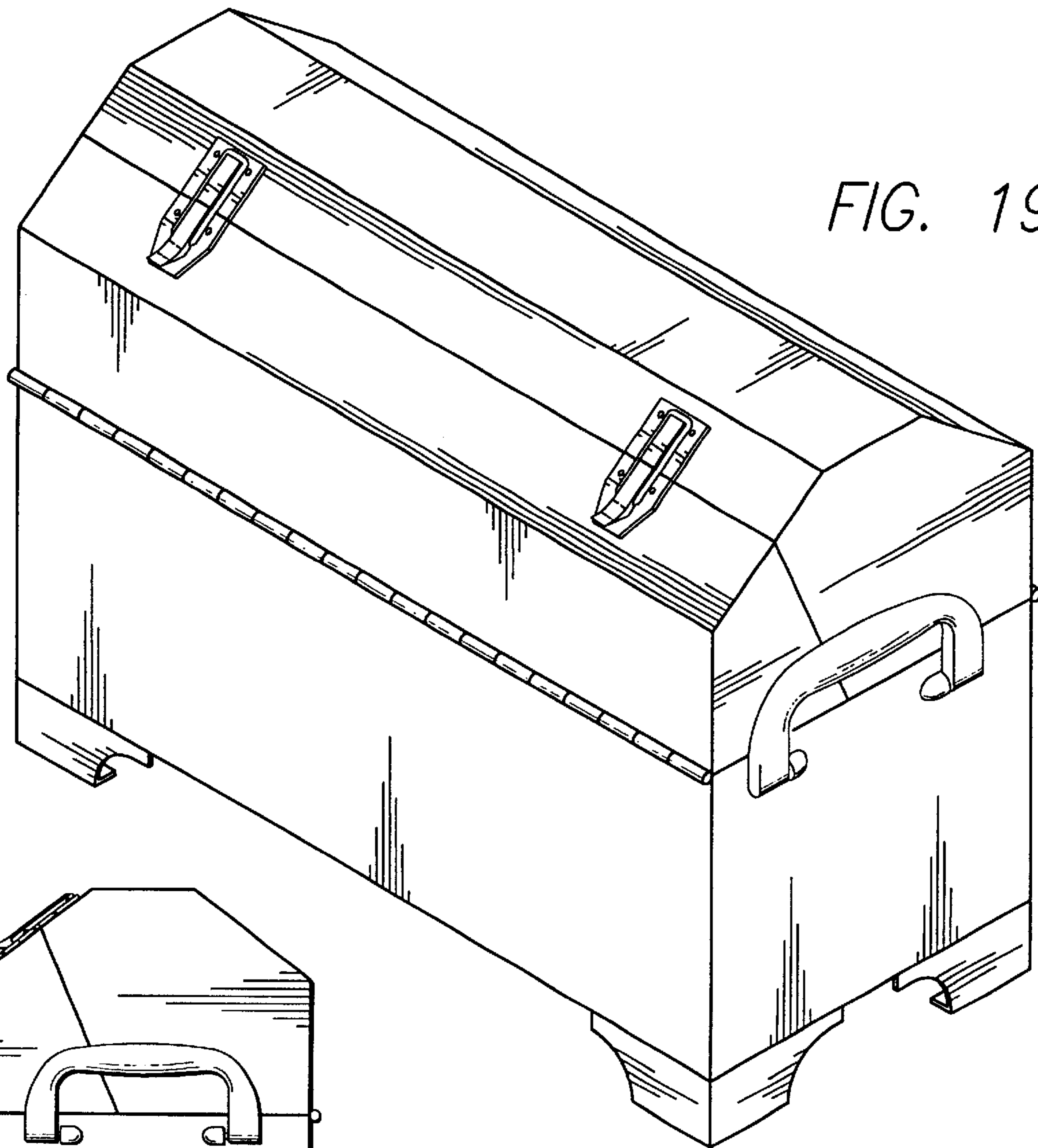


FIG. 19

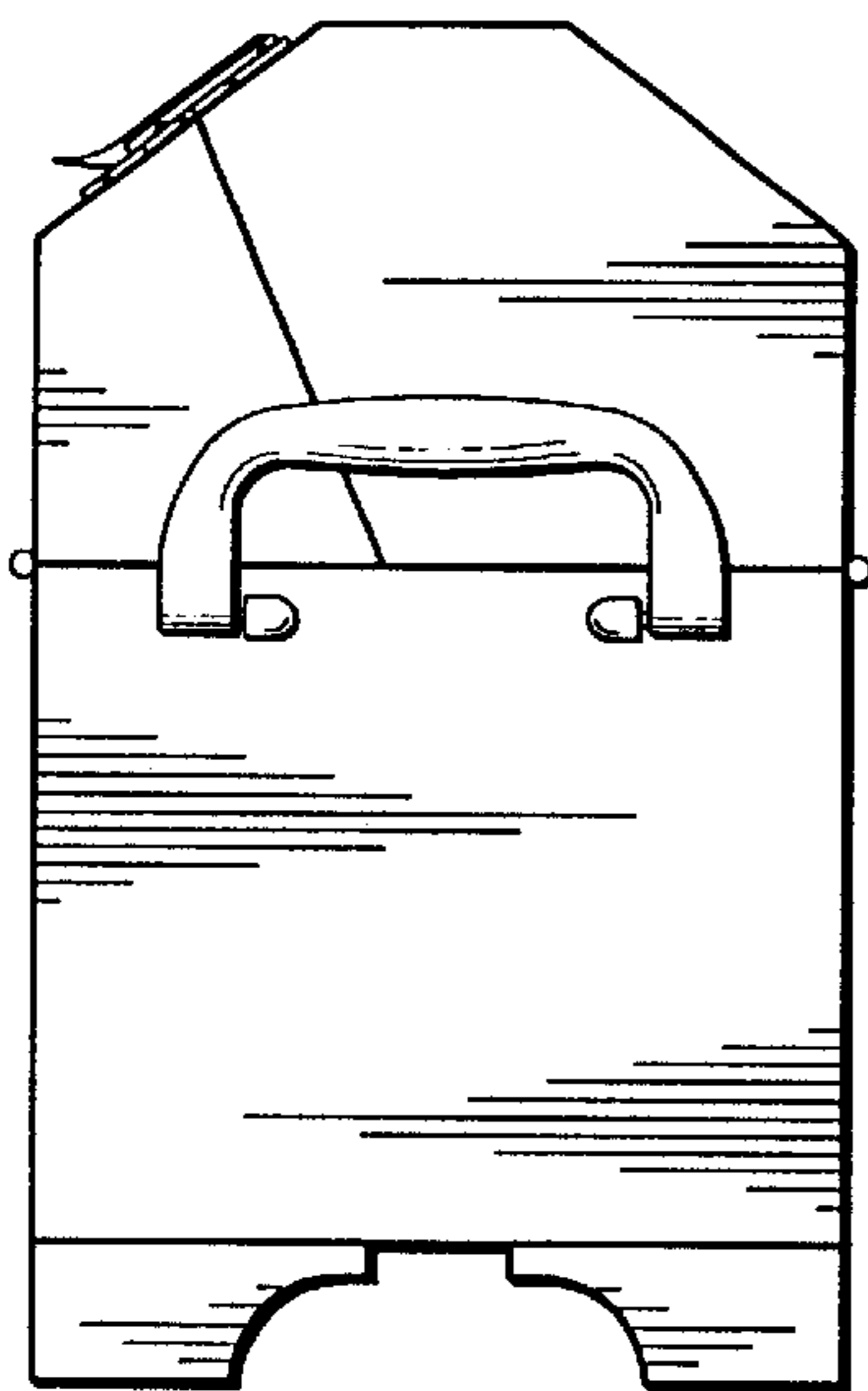
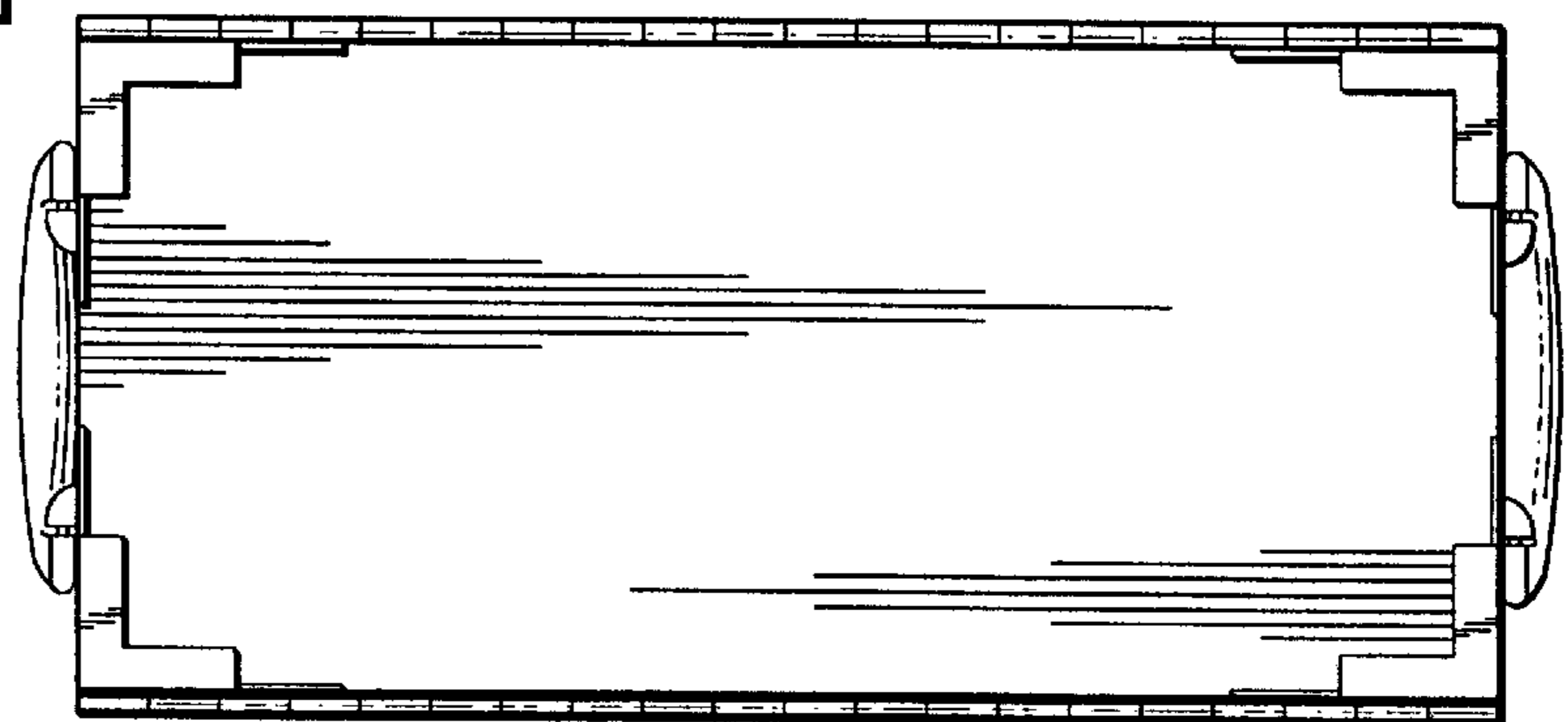


FIG. 20

FIG. 21



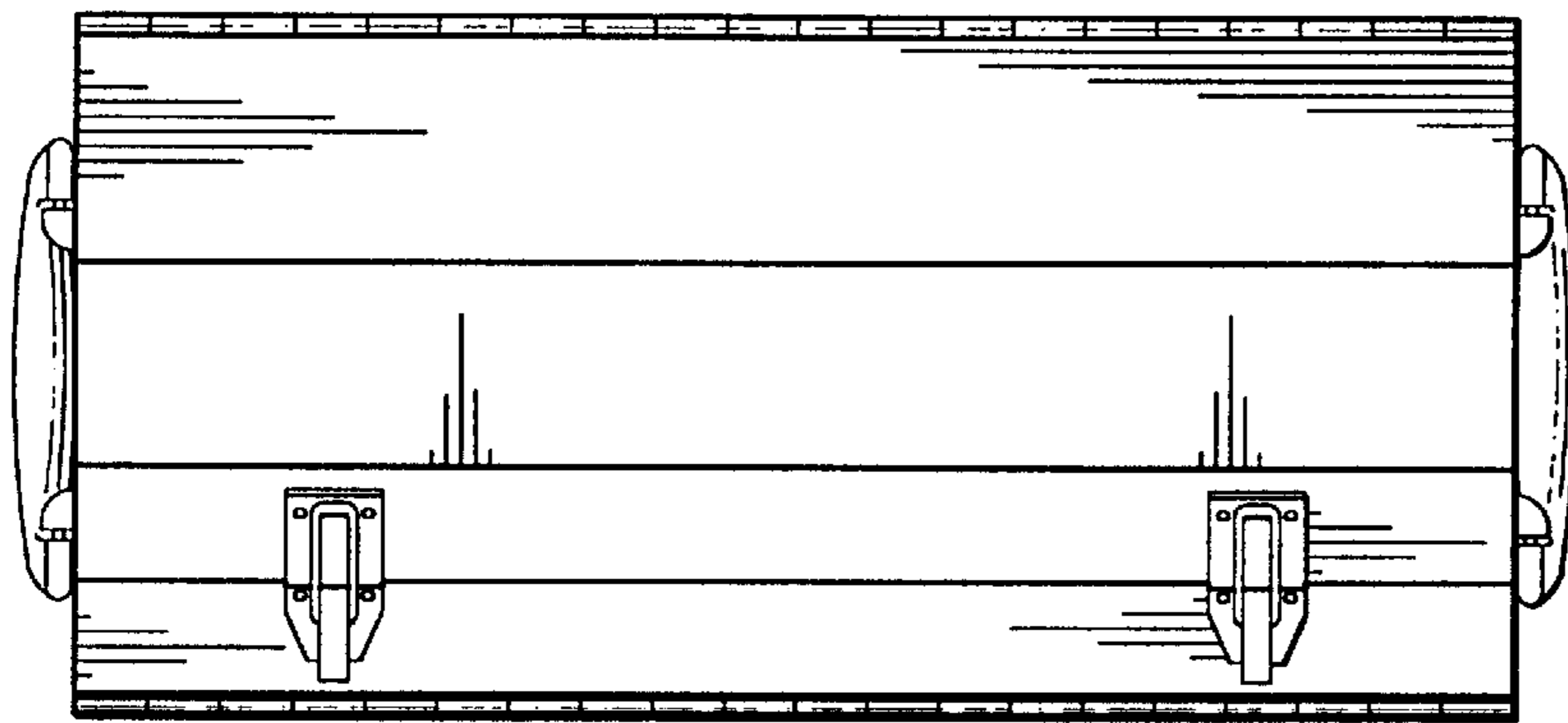


FIG. 22

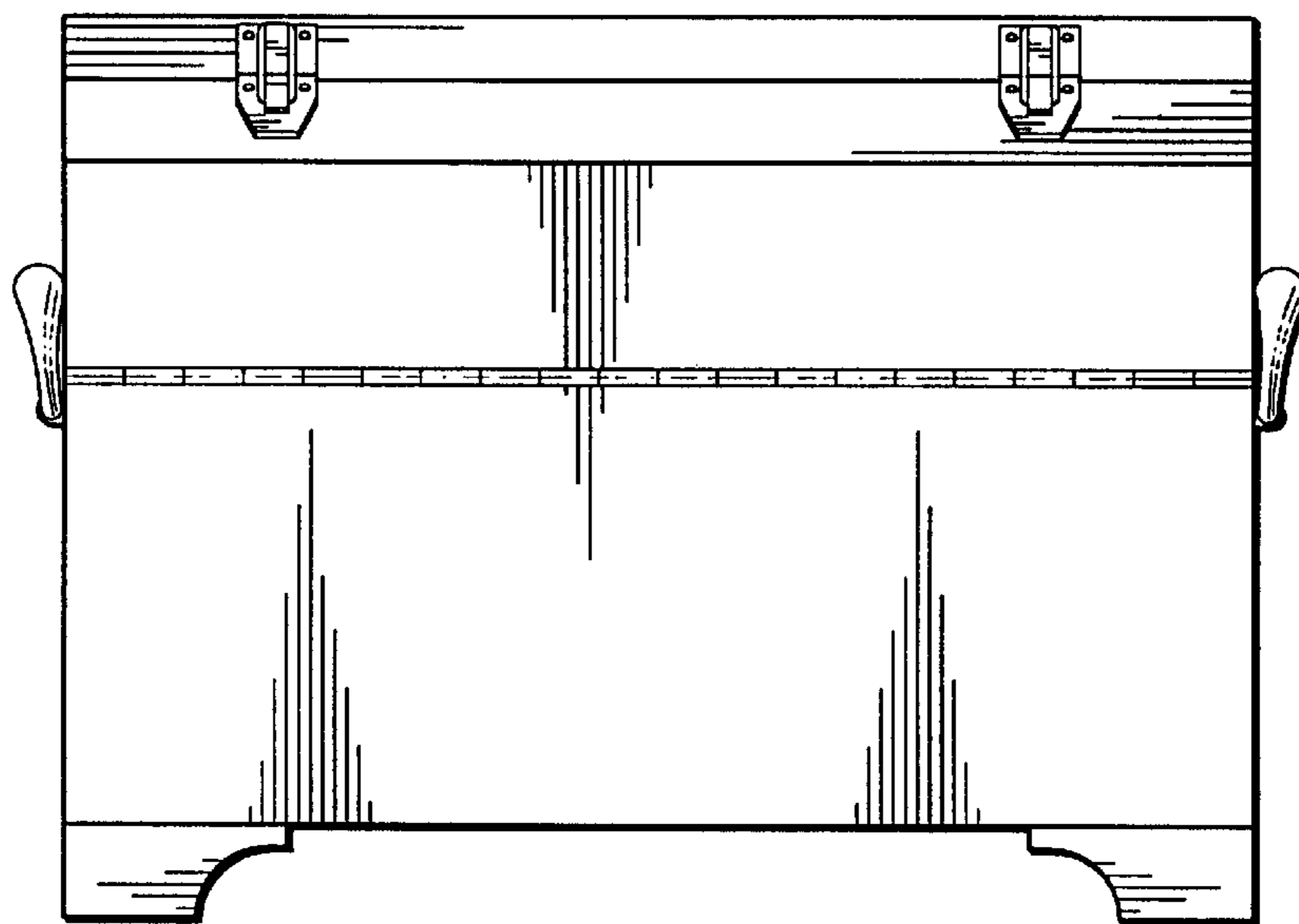


FIG. 23

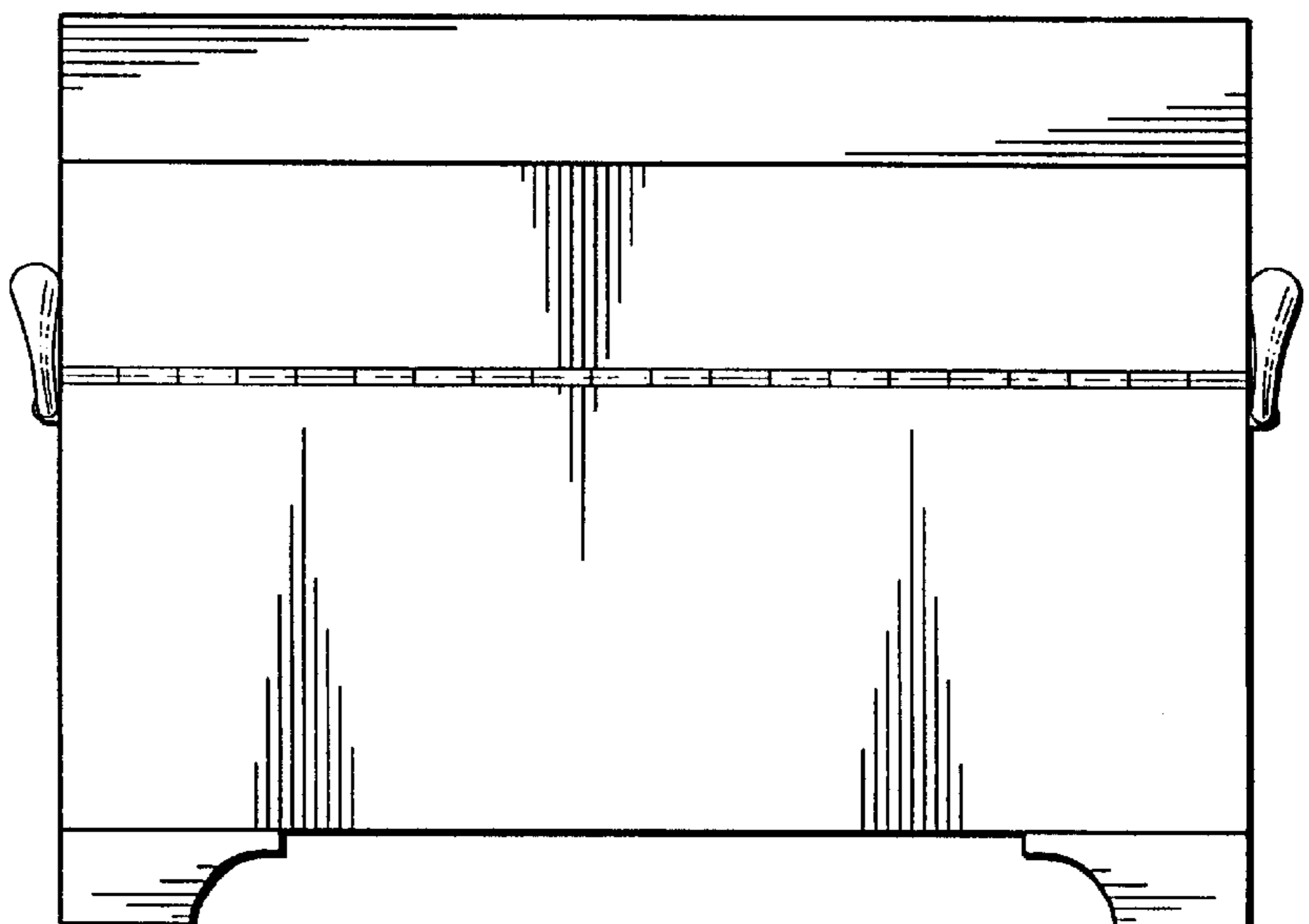


FIG. 24