



US00D465377S

(12) **United States Design Patent**  
**Murison et al.**

(10) **Patent No.:** **US D465,377 S**

(45) **Date of Patent:** **\*\* Nov. 12, 2002**

(54) **LIQUID PITCHER**

(75) Inventors: **Ian MacDonald Murison**, London (GB); **Christopher Clive Jones**, London (GB); **Adrian Charles Bennett**, London (GB); **Neville John Pryke**, Merton (GB); **Naomi Ruth Nelson**, Cincinnati, OH (US); **Richard Alan Arett**, Plymouth, MN (US)

(73) Assignee: **The Procter & Gamble Company**, Cincinnati, OH (US)

(\*\*) Term: **14 Years**

(21) Appl. No.: **29/147,396**

(22) Filed: **Aug. 28, 2001**

(51) **LOC (7) Cl.** ..... **07-01**

(52) **U.S. Cl.** ..... **D7/319; D7/317**

(58) **Field of Search** ..... **D7/312, 316, 317, D7/318, 319, 300; 222/210, 196, 556, 472, 470; 215/6, 12.1, 314; 99/306, 319; 206/446**

(56) **References Cited**

**U.S. PATENT DOCUMENTS**

D345,669 S	*	4/1994	Piret	.....	D7/319
D350,255 S	*	9/1994	Daenen et al.	.....	D7/317
D365,963 S	*	1/1996	Feer	.....	D7/321
D367,201 S	*	2/1996	Joergensen	.....	D7/305
D383,351 S	*	9/1997	DeMore	.....	D7/319
D398,184 S	*	9/1998	Silverberg et al.	.....	D7/319
D416,163 S	*	11/1999	Doritty et al.	.....	D7/319
D420,545 S	*	2/2000	Huang	.....	D7/318
D421,361 S	*	3/2000	Coulson et al.	.....	D7/319
D436,790 S	*	1/2001	Saltet	.....	D7/319
D439,790 S	*	4/2001	Matsushita et al.	.....	D7/319
D440,110 S	*	4/2001	Tanner et al.	.....	D7/319

\* cited by examiner

*Primary Examiner*—M. N. Pandozzi

(74) *Attorney, Agent, or Firm*—James C. Vago

(57) **CLAIM**

The ornamental design for a liquid pitcher, as shown and described.

**DESCRIPTION**

FIG. 1 is a perspective view of a liquid pitcher, embodying the new design;

FIG. 2 is a front elevational view of the liquid pitcher of FIG. 1;

FIG. 3 is a rear elevational view of the liquid pitcher of FIG. 1;

FIG. 4 is a top planar view of the liquid pitcher of FIG. 1;

FIG. 5 is a side elevational of the liquid pitcher of FIG. 1, the opposite side elevational view being a mirror image thereof;

FIG. 6 is a bottom planar view of the liquid pitcher of FIG. 1;

FIG. 7 is a perspective view of an alternative embodiment of the present invention;

FIG. 8 is a front elevational view of the liquid pitcher of FIG. 7;

FIG. 9 is a rear elevational view of the liquid pitcher of FIG. 7;

FIG. 10 is a top planar view of the liquid pitcher of FIG. 7;

FIG. 11 is a side elevational of the liquid pitcher of FIG. 7, the opposite side elevational view being a mirror image thereof; and,

FIG. 12 is a bottom planar of the liquid pitcher of FIG. 7.

The broken lines shown in the drawings are for illustrative purposes only and form no part of the claimed design.

**1 Claim, 4 Drawing Sheets**

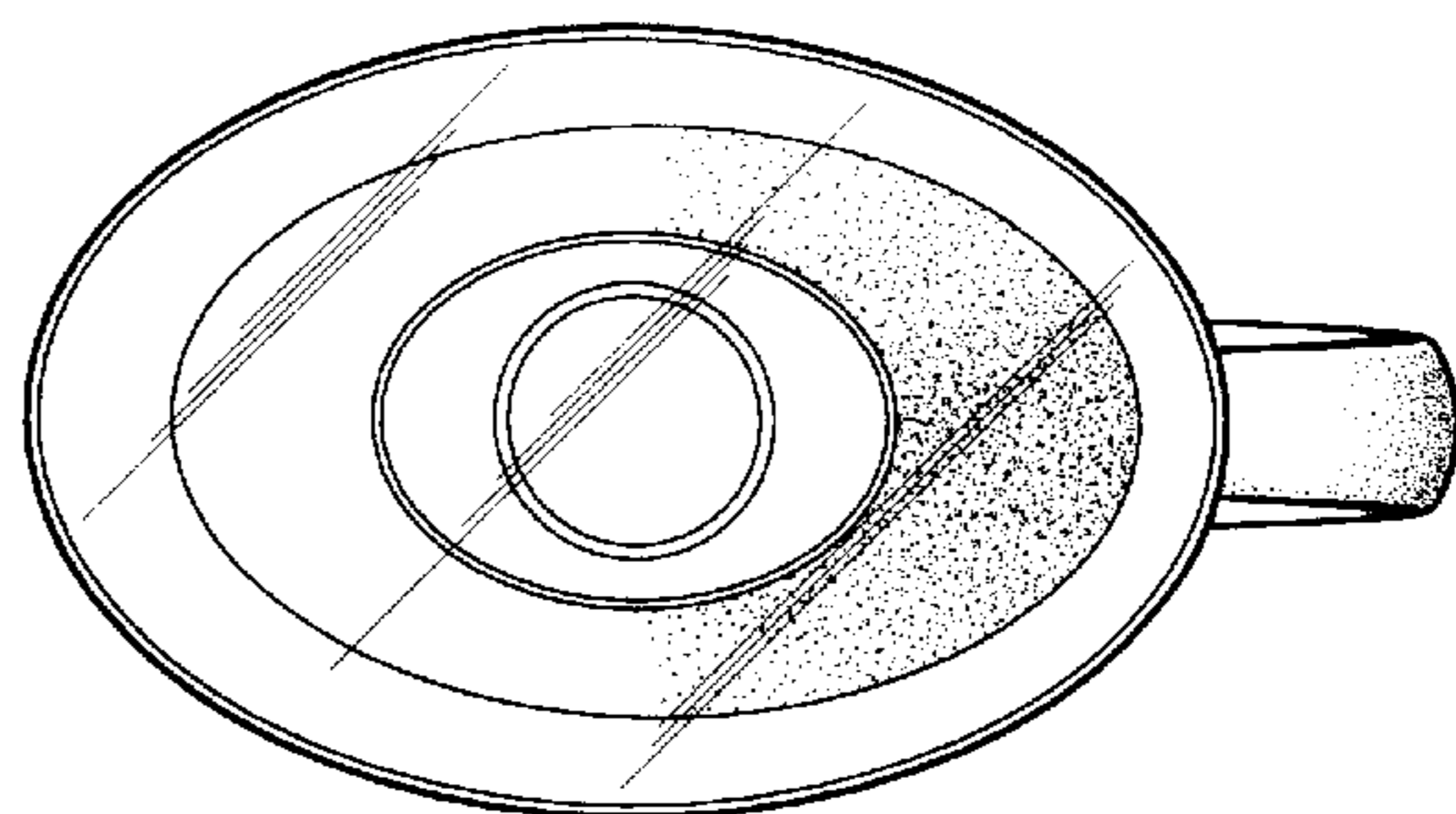
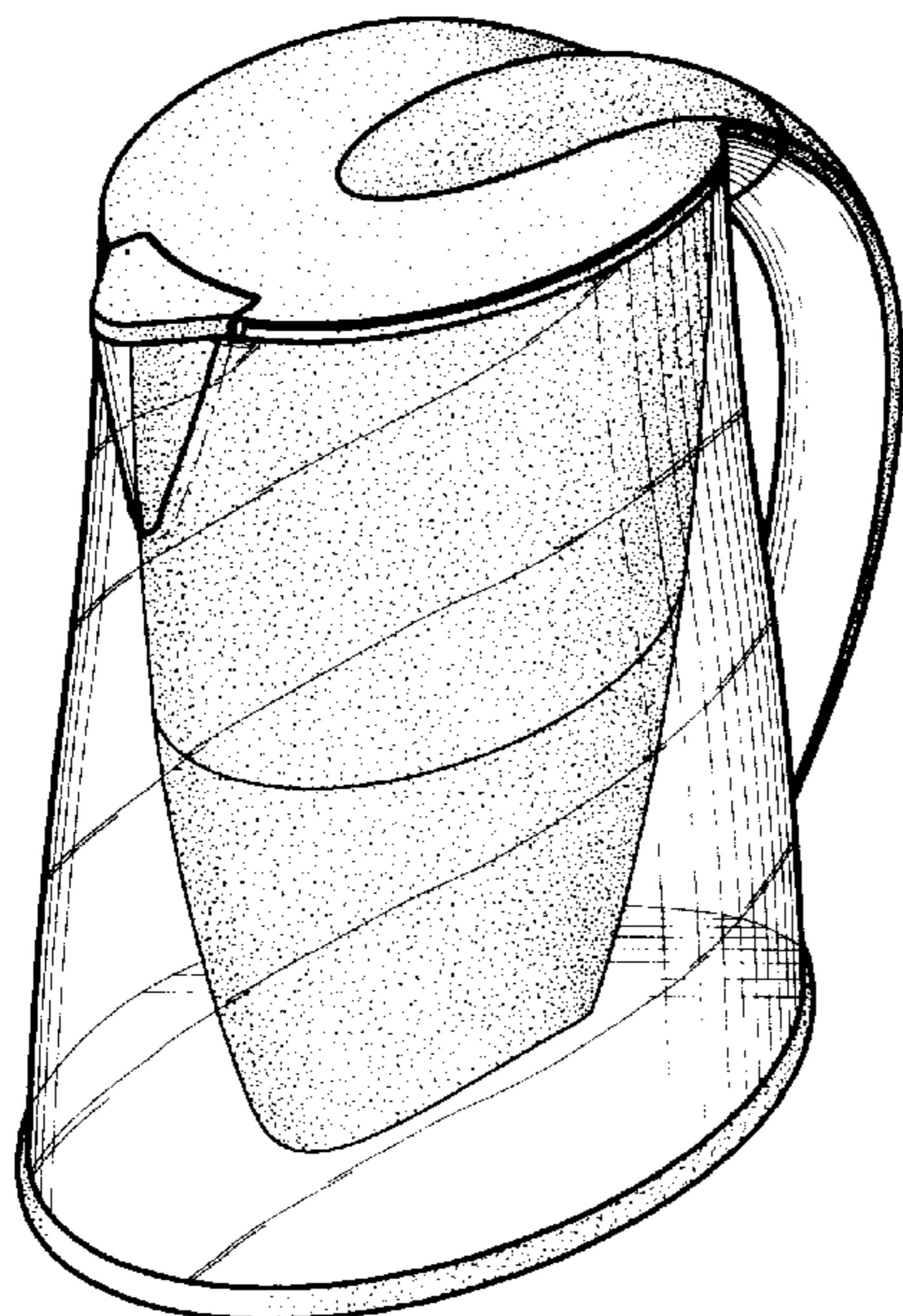


Fig. 1

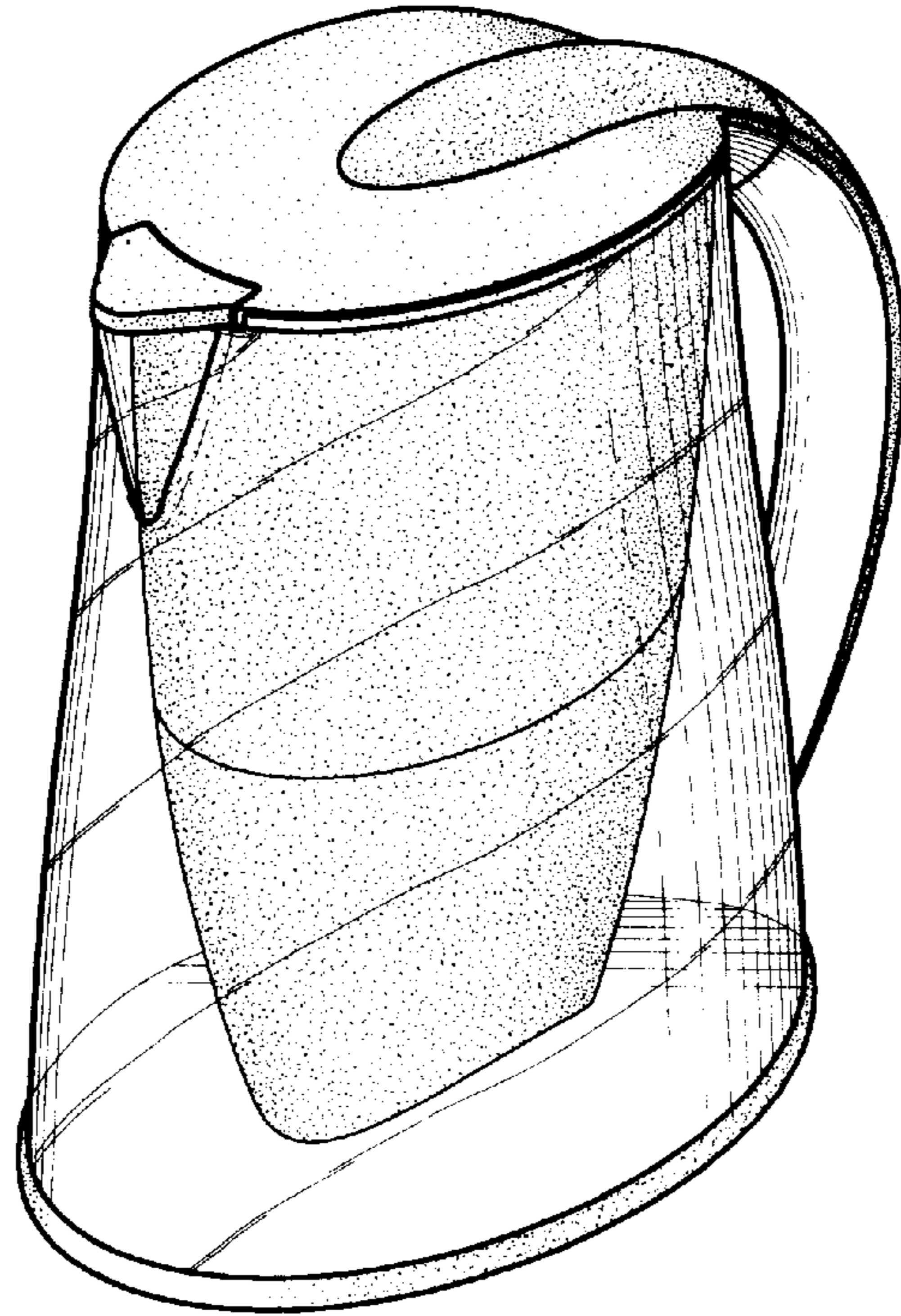


Fig. 2

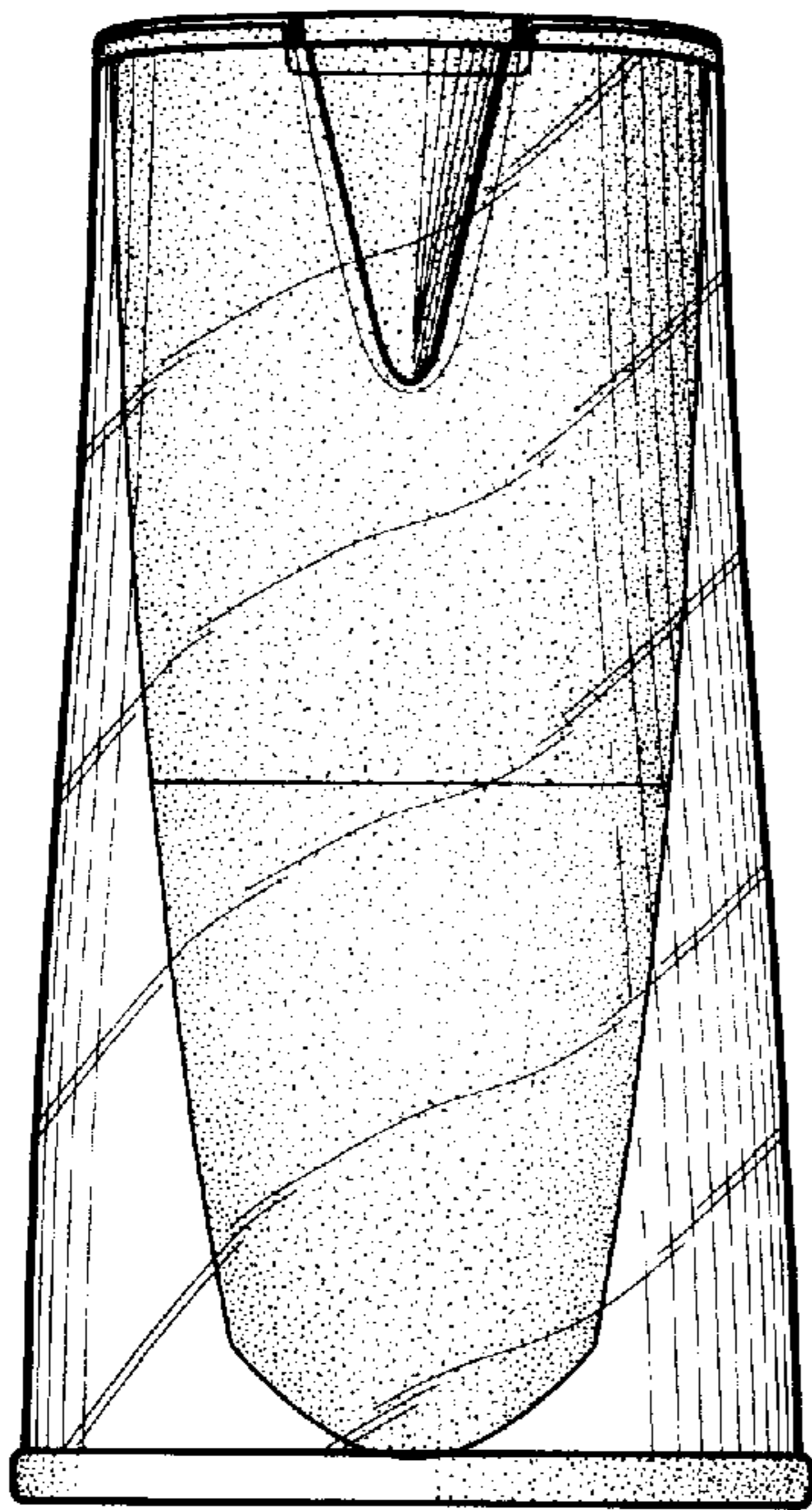


Fig. 3

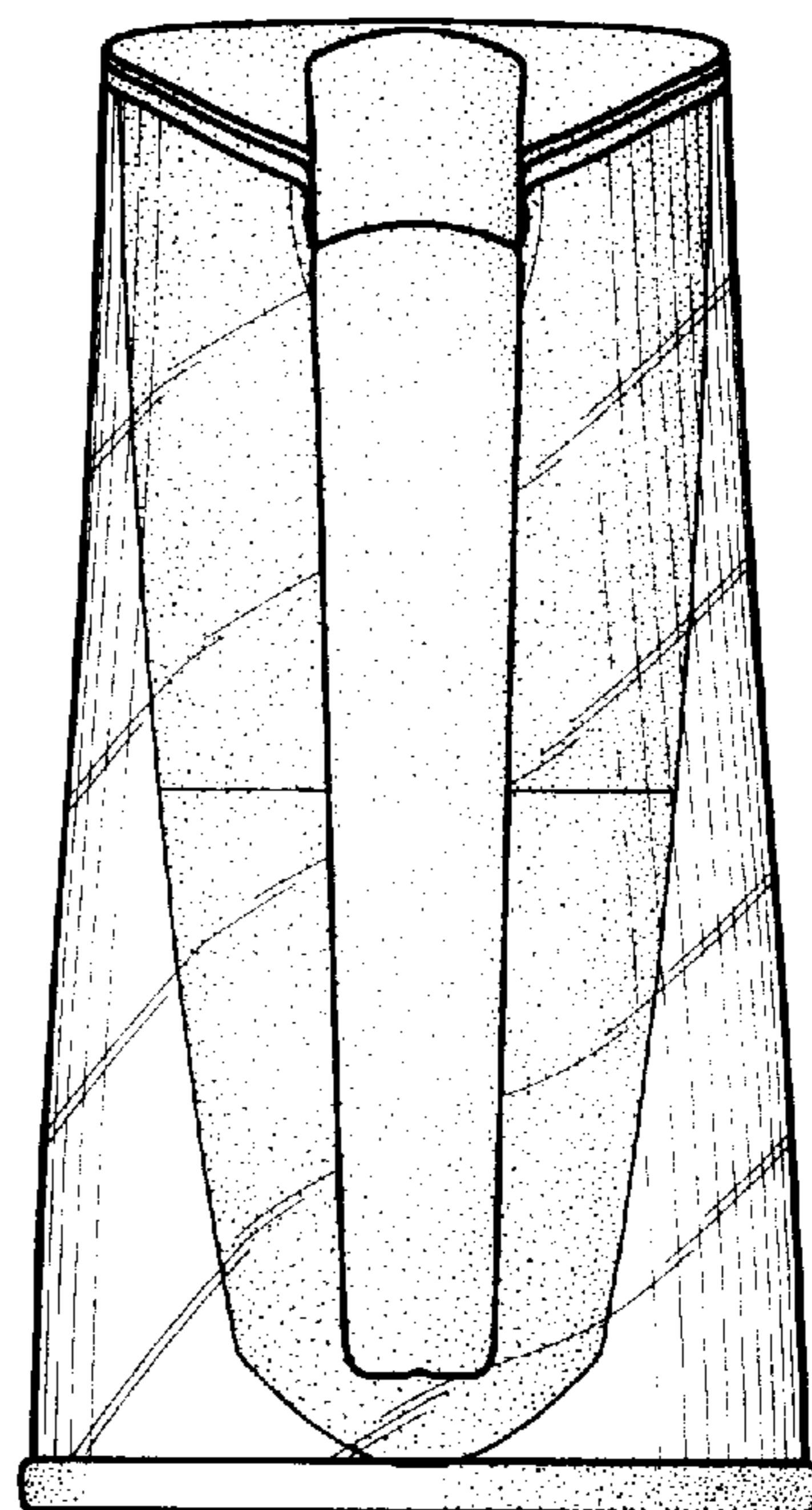




Fig. 4

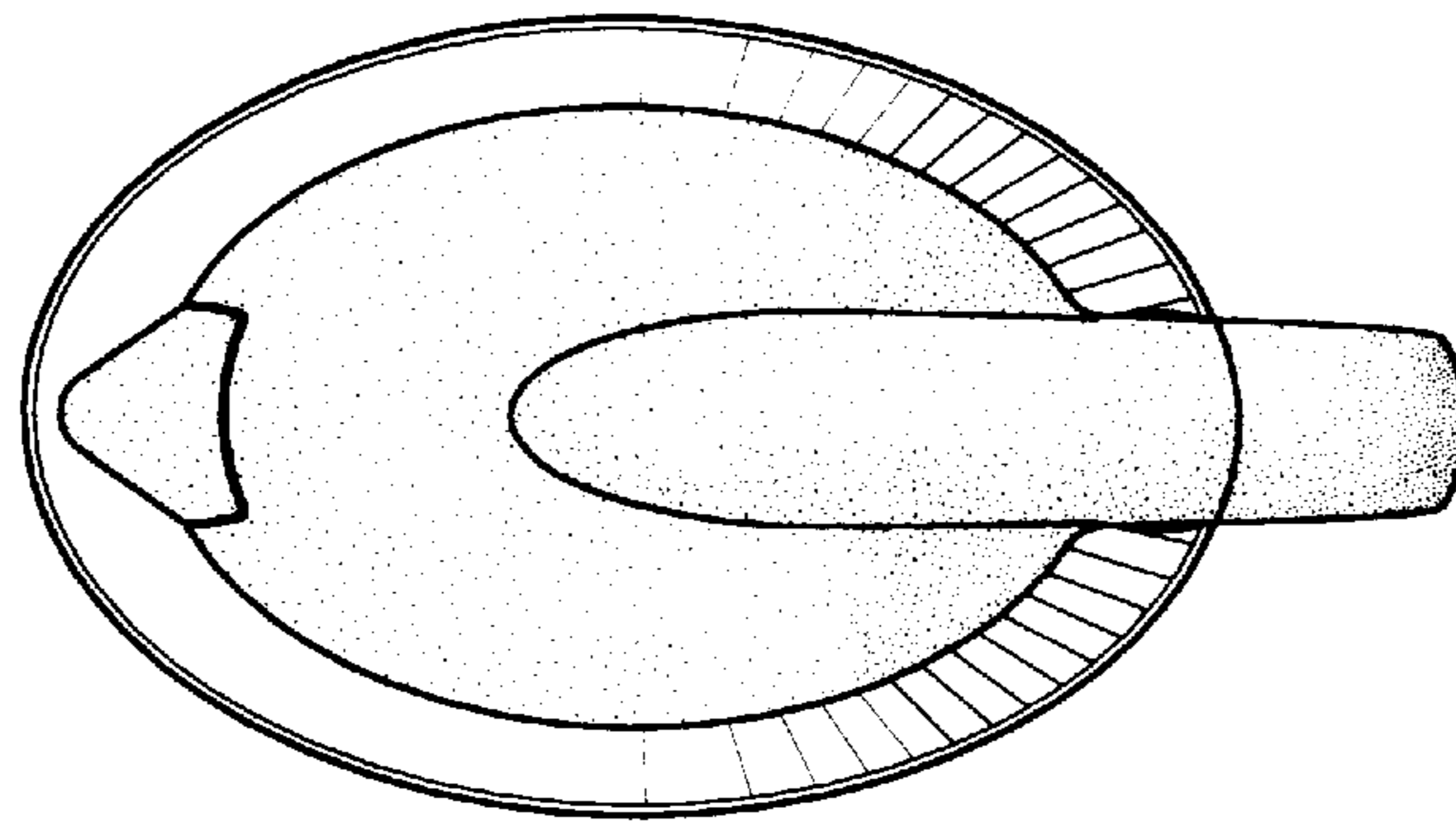


Fig. 5

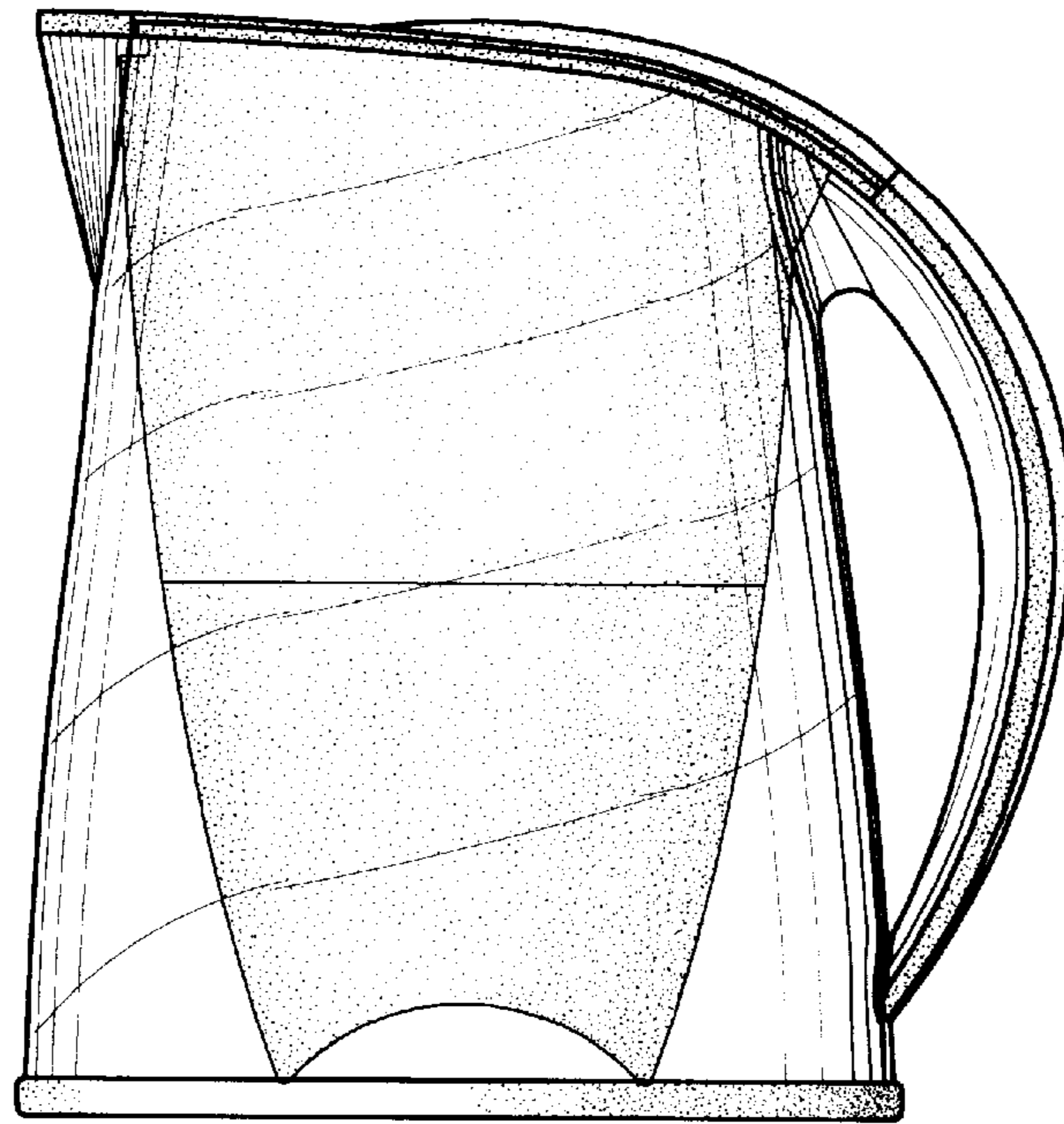


Fig. 6

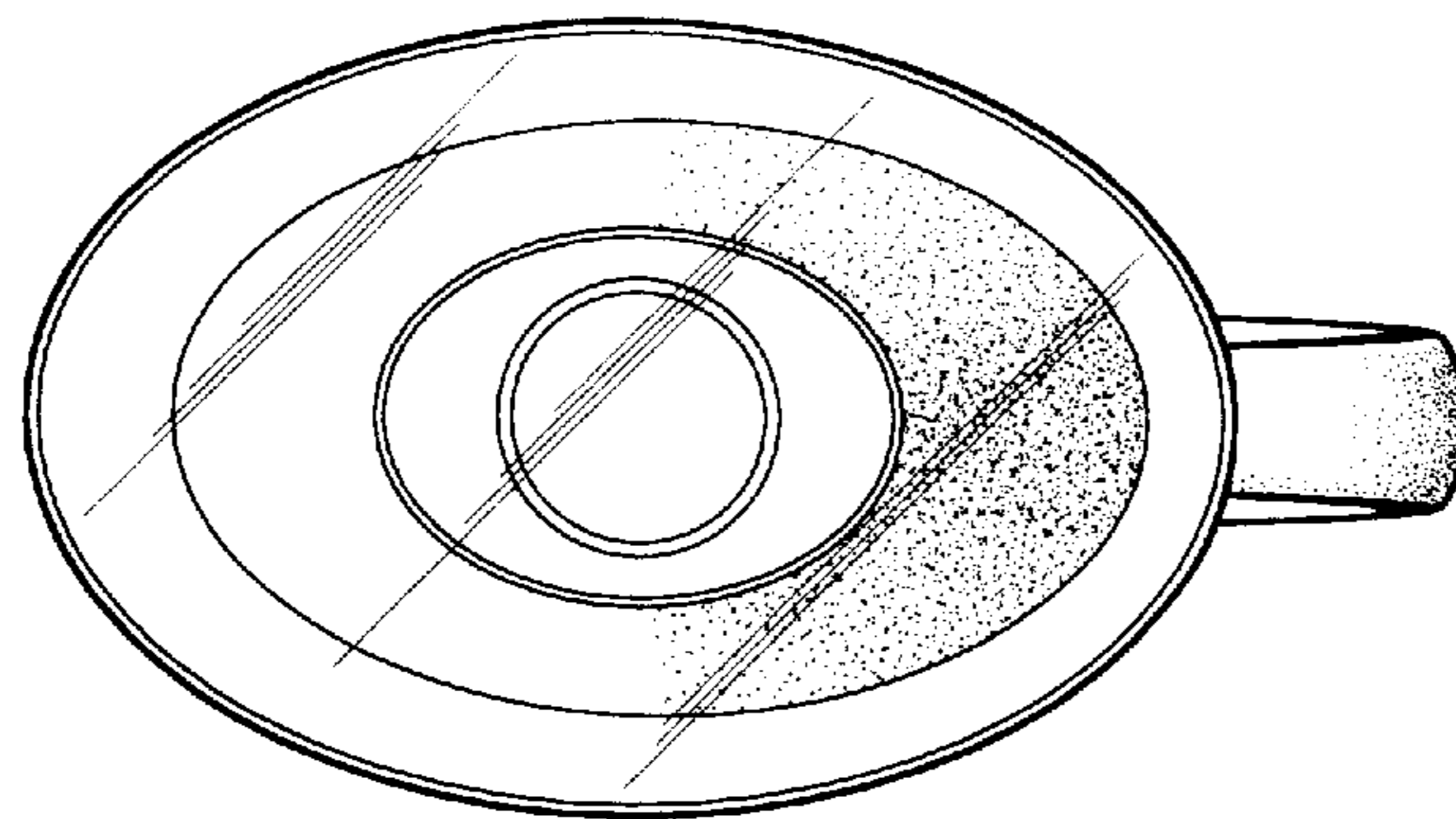


Fig. 7

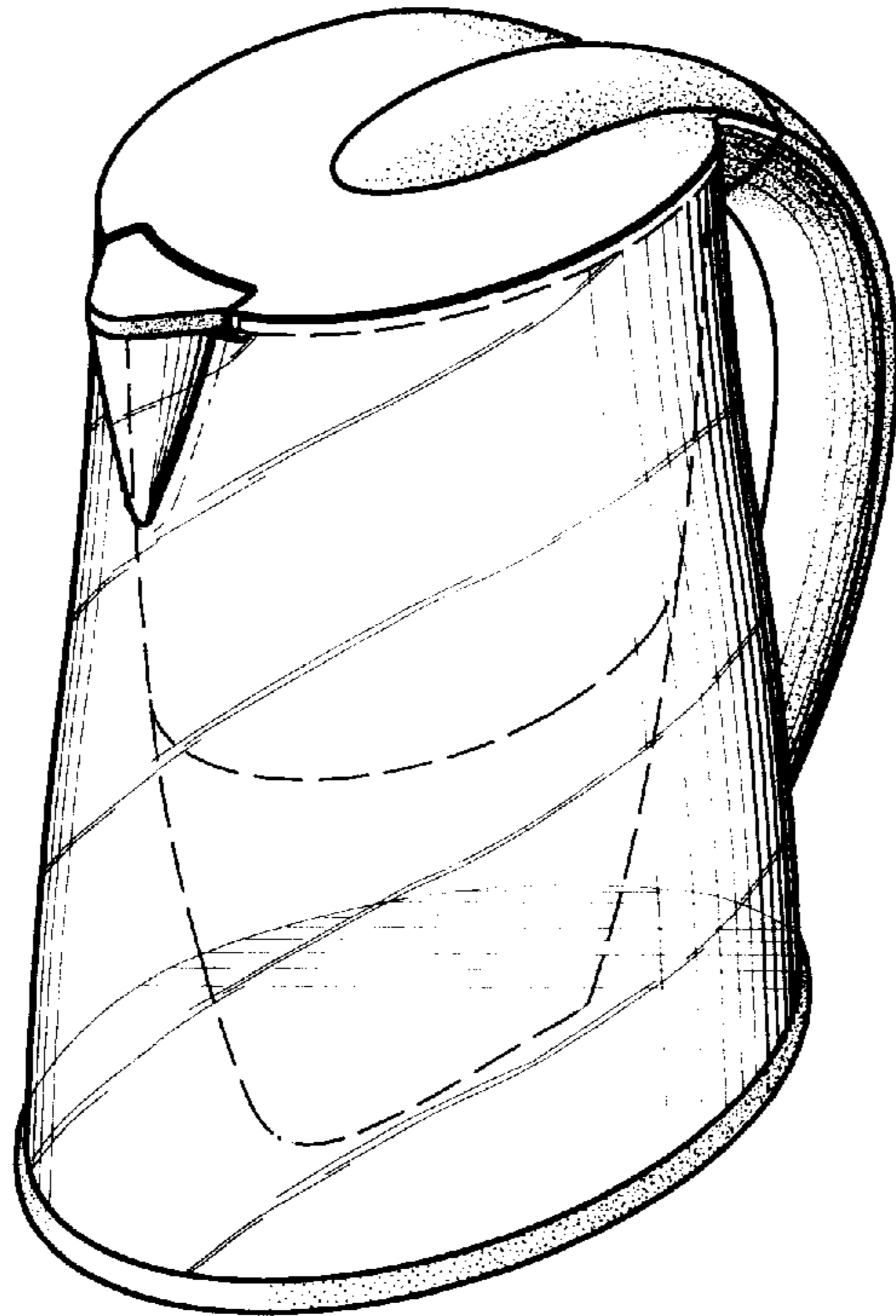


Fig. 8

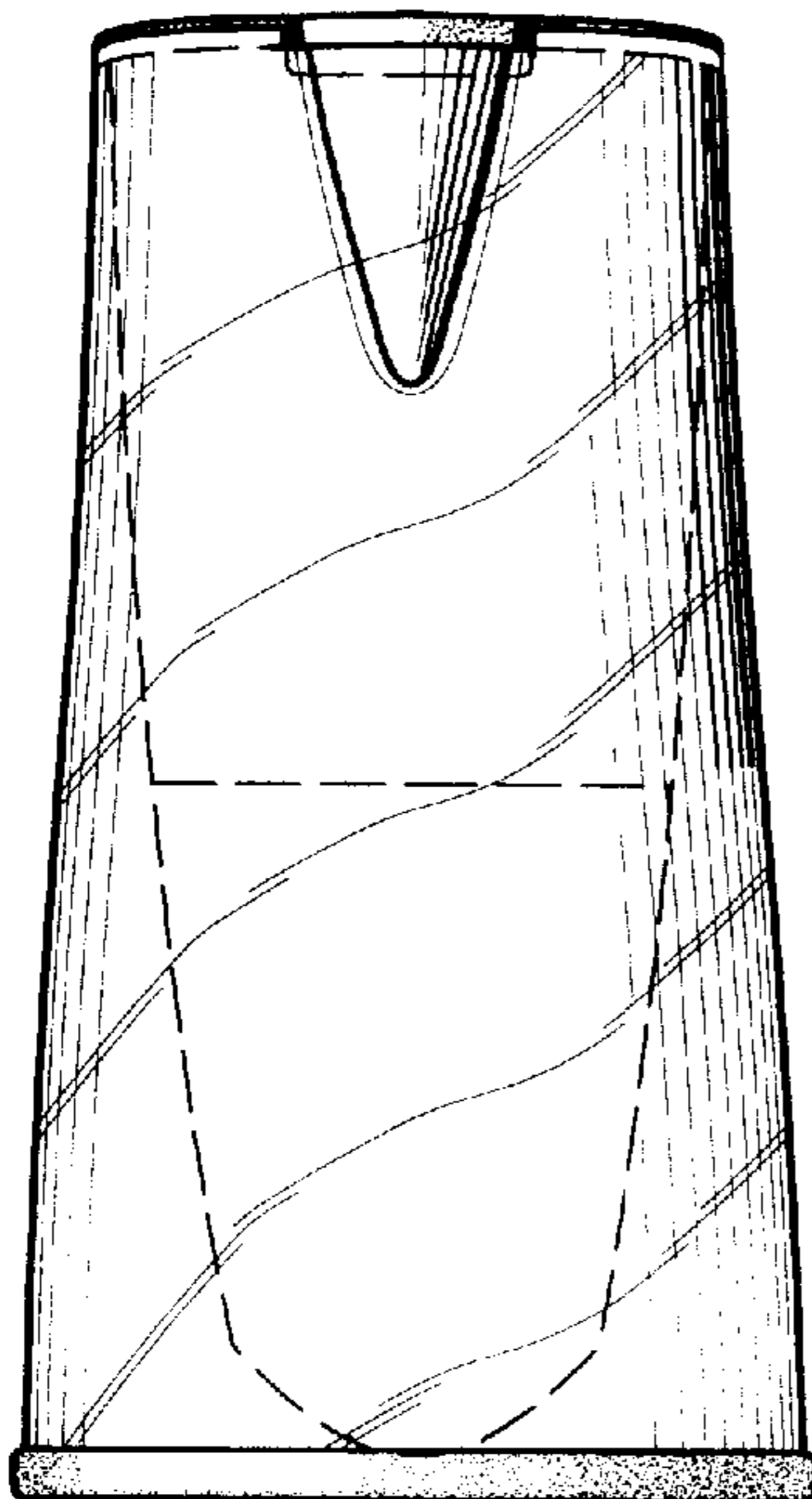


Fig. 9

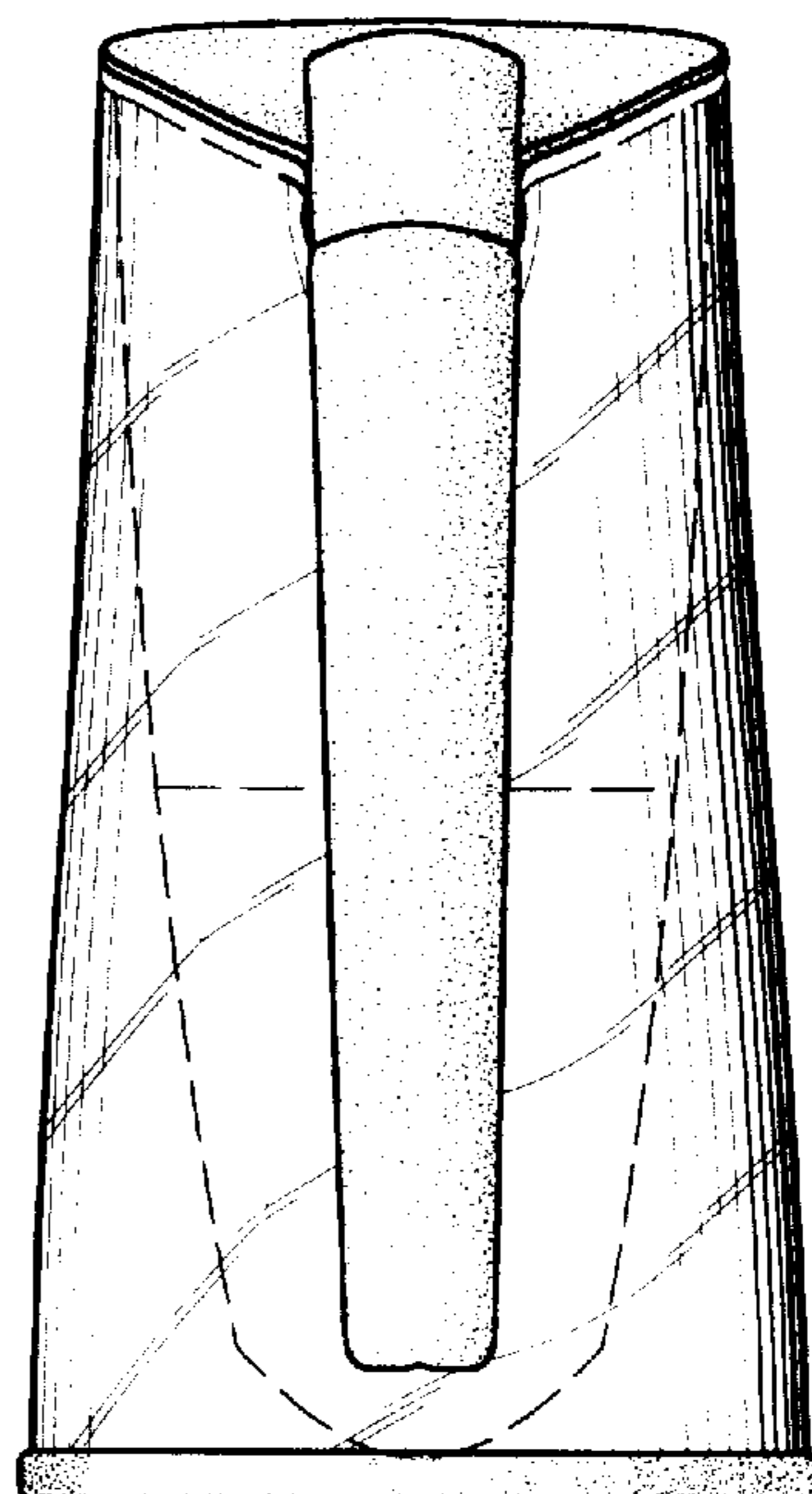


Fig. 10

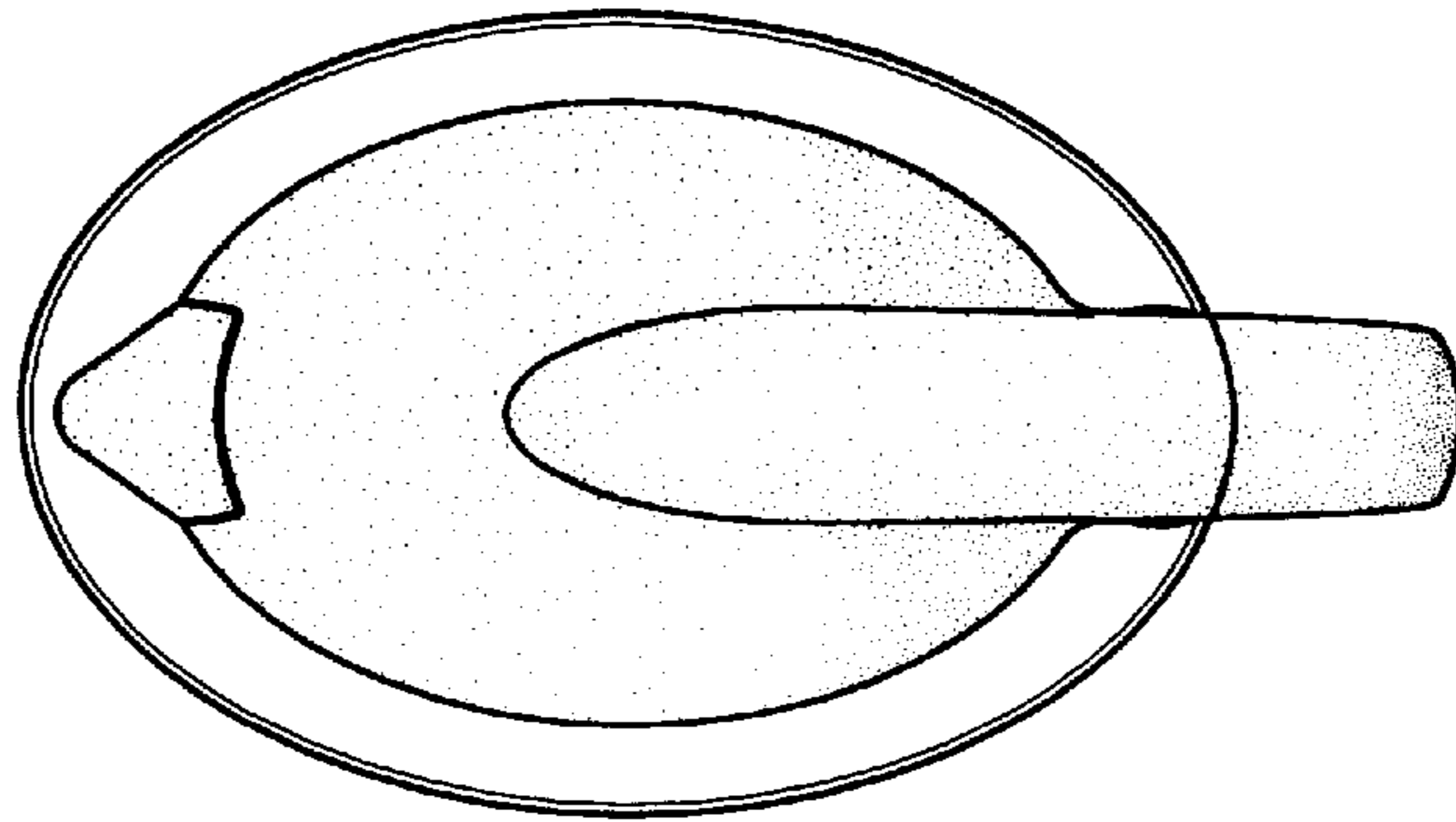


Fig. 11

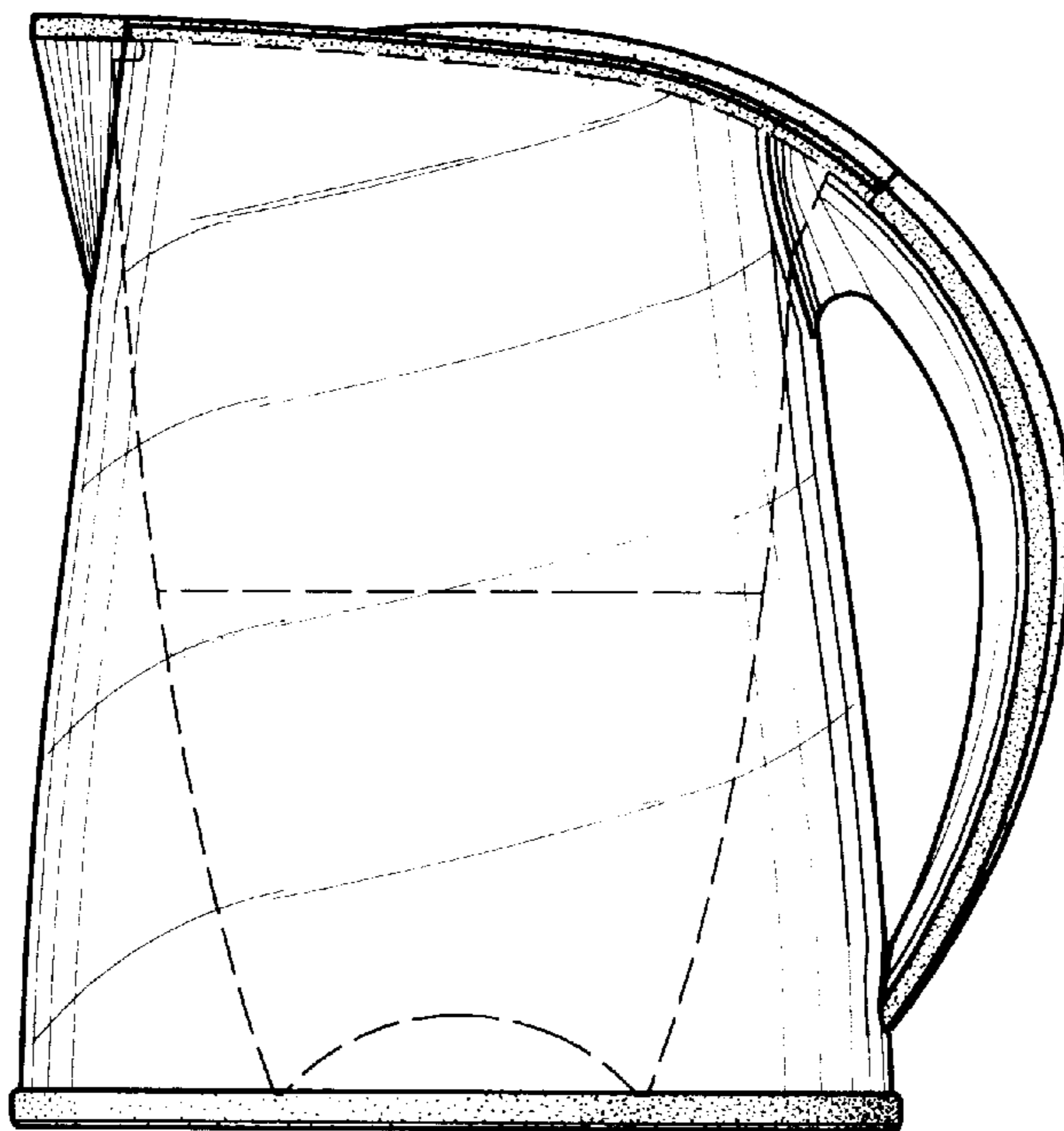


Fig. 12

