



US00D465371S

(12) **United States Design Patent**
Shea

(10) **Patent No.:** **US D465,371 S**
(45) **Date of Patent:** **** Nov. 12, 2002**

(54) **MERCHANDISING DISPLAY STRUCTURE**

(76) Inventor: **Thomas M. Shea**, 1343 Rochester Rd.,
Suite 100, Troy, MI (US) 48083

(**) Term: **14 Years**

(21) Appl. No.: **29/128,094**

(22) Filed: **Aug. 17, 2000**

Related U.S. Application Data

(63) Continuation-in-part of application No. 29/107,556, filed on Jul. 8, 1999, now Pat. No. Des. 432,844, which is a continuation-in-part of application No. 09/225,671, filed on Jan. 5, 1999, now Pat. No. 6,070,747, which is a continuation-in-part of application No. 08/829,837, filed on Apr. 1, 1997, now Pat. No. 6,199,706, which is a continuation-in-part of application No. 08/599,407, filed on Nov. 26, 1995, now Pat. No. 5,660,286.

(51) **LOC (7) Cl.** **06-04**

(52) **U.S. Cl.** **D6/567**

(58) **Field of Search** D6/566, 567, 552,
D6/553; 211/13.1, 86.01, 87.01, 181.1,
182; 248/235, 302, 251, 309.1, 309.2, 317

(56) **References Cited**

U.S. PATENT DOCUMENTS

431,110 A	7/1890	Driver
2,020,991 A	11/1935	Brody
2,935,210 A	5/1960	Cohen
3,018,898 A	1/1962	Frazelle
3,087,624 A	4/1963	Hucker
3,125,042 A	3/1964	Mapson
3,191,776 A	6/1965	Tokash
3,221,893 A	12/1965	Glaberson et al.
3,285,208 A	11/1966	Cohen
3,513,606 A	5/1970	Jones
3,586,284 A	6/1971	Riebold
3,677,415 A	7/1972	Radek
3,743,105 A	7/1973	David
4,159,814 A	7/1979	Fibus

4,171,052 A	10/1979	Winn	
4,720,016 A	1/1988	Kay	
4,919,280 A	4/1990	Phillips	
5,014,954 A	5/1991	Merl	
D320,719 S	10/1991	Kolsrud et al.	
5,090,725 A	2/1992	Feldner	
D327,187 S	6/1992	Swon	
5,303,830 A	4/1994	Metcalf	
5,443,167 A	8/1995	Menaged et al.	
5,505,318 A	4/1996	Goff	
5,505,319 A	4/1996	Todd	
5,556,064 A	9/1996	Cowe	
5,657,884 A	8/1997	Zillnear, III	
5,660,286 A	8/1997	Shea	
D384,534 S	* 10/1997	Kiggins D6/567
5,678,702 A	10/1997	Menaged et al.	
D390,398 S	* 2/1998	Baker et al. D6/566

* cited by examiner

Primary Examiner—Brian N. Vinson
(74) *Attorney, Agent, or Firm*—Gifford, Krass, Groh,
Sprinkle, Anderson & Citkowski, P.C.

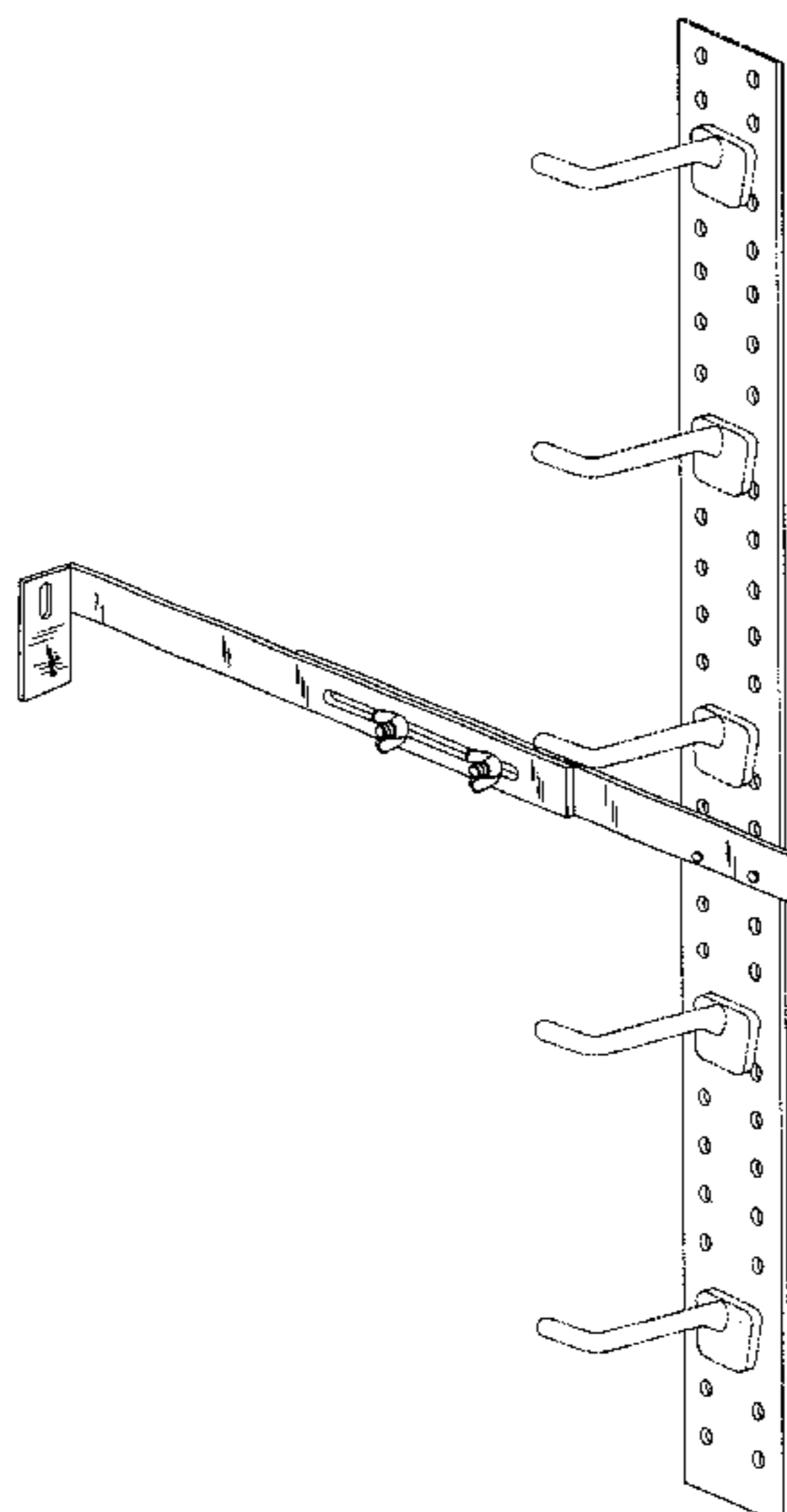
(57) **CLAIM**

I claim the ornamental design for a merchandising display structure, as shown and described.

DESCRIPTION

FIG. 1 is a top, front, and left side perspective view of a merchandising display structure showing my new design; FIG. 2 is an enlarged front elevational view thereof; FIG. 3 is an enlarged top plan view thereof; FIG. 4 is an enlarged rear elevational view thereof; FIG. 5 is an enlarged left side elevational view thereof; and, FIG. 6 is an enlarged right side elevational view thereof. The broken-line disclosure of pegs installed in the vertical, perforated component are understood to be for illustrative purposes only and to form no part of the claimed design, while the same vertical, perforated component is omitted from other views for convenience of illustration.

1 Claim, 2 Drawing Sheets



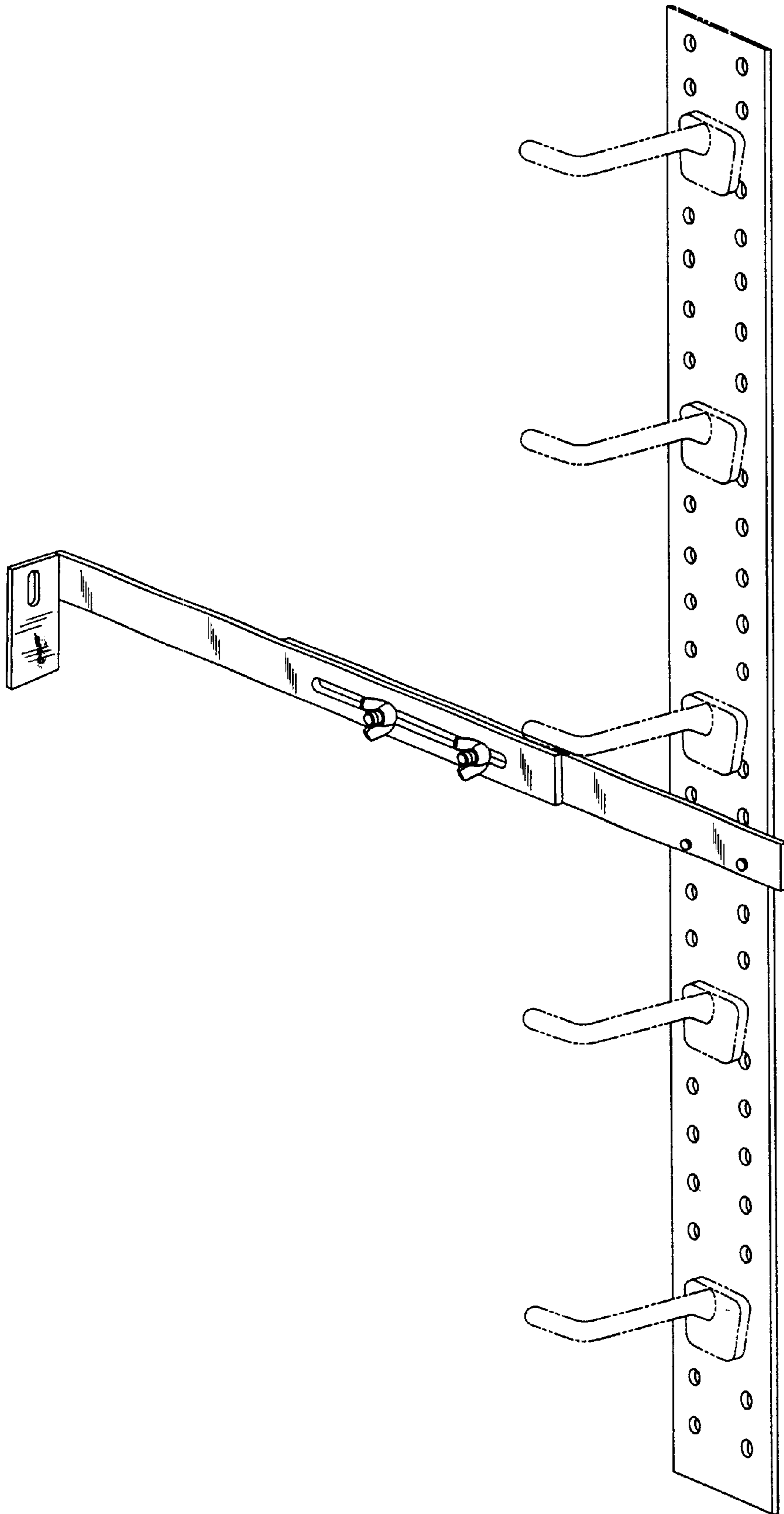


Fig-1

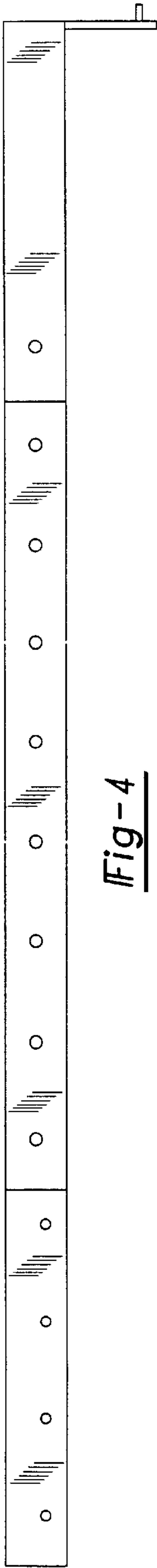


Fig-4

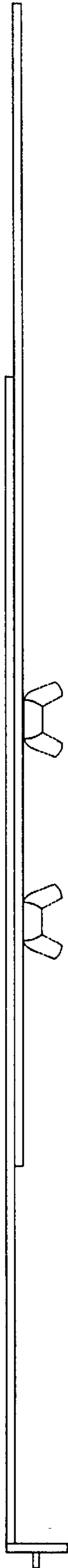


Fig-3

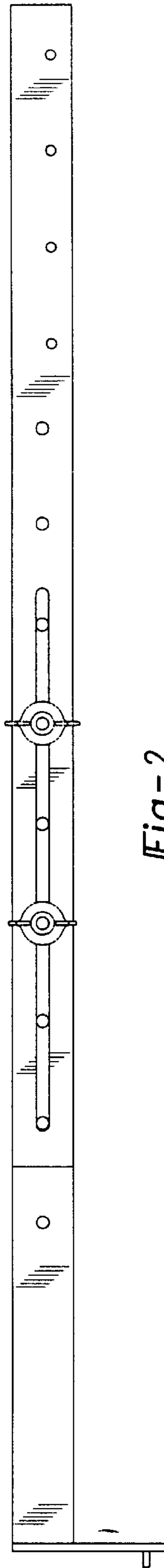


Fig-2

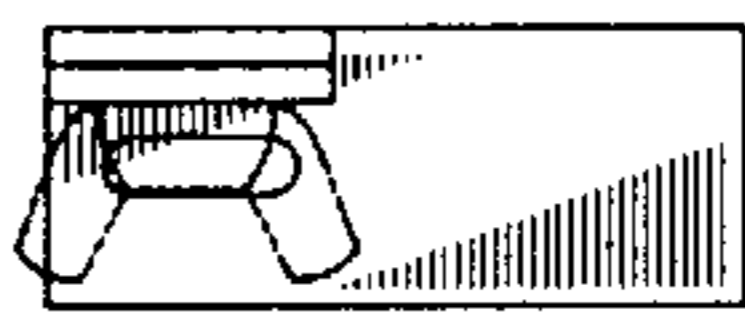


Fig-6



Fig-5