



US00D465369S

(12) **United States Design Patent**
Moore

(10) **Patent No.:** **US D465,369 S**

(45) **Date of Patent:** **** Nov. 12, 2002**

(54) **TOWEL RING**

(75) Inventor: **Glenn David Moore**, Pompton Lakes,
NJ (US)

(73) Assignee: **Bath Unlimited, Inc.**, Passaic, NJ (US)

(**) Term: **14 Years**

(21) Appl. No.: **29/147,169**

(22) Filed: **Aug. 23, 2001**

(51) **LOC (7) Cl.** **06-04**

(52) **U.S. Cl.** **D6/546**

(58) **Field of Search** D6/546-550, 518,
D6/522-524; D8/300, 307-308, 315-320;
108/29; 211/13.1, 16, 60.1, 86.01, 87.01,
88.04, 105.1-105.2, 106, 123, 181.1; 242/570,
588-590, 597-598; 248/49, 175, 200-201,
205.1, 214, 251-254, 261, 302, 304, 309.1,
314-317

(56) **References Cited**

U.S. PATENT DOCUMENTS

D293,184 S * 12/1987 Chap D6/546

D400,036 S * 10/1998 Moore et al. D6/550
D423,852 S * 5/2000 Duggan D6/546
D425,348 S * 5/2000 Chen D6/524
D425,743 S * 5/2000 Duggan D6/546
D454,745 S * 3/2002 Wright D6/550

* cited by examiner

Primary Examiner—Brian N. Vinson

(74) *Attorney, Agent, or Firm*—Edgar A. Zarins; Lloyd D.
Doigan

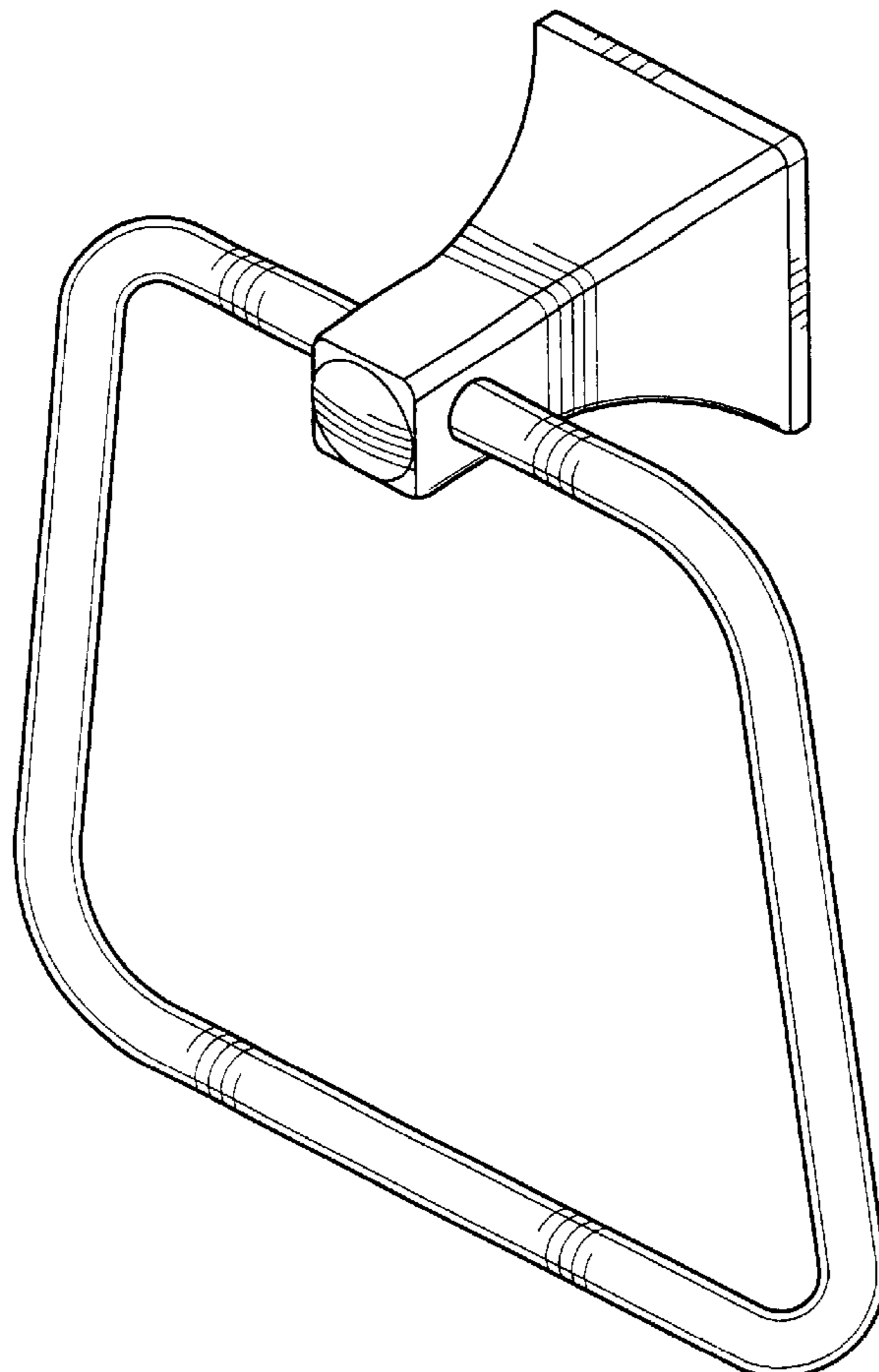
(57) **CLAIM**

The ornamental design for a towel ring, as shown and
described.

DESCRIPTION

FIG. 1 is a perspective view of a towel ring showing my new
design;
FIG. 2 is a front elevational view thereof;
FIG. 3 is a rear elevational view thereof;
FIG. 4 is a top plan view thereof;
FIG. 5 is a bottom plan view thereof;
FIG. 6 is a right side view thereof; and,
FIG. 7 is a left side view thereof.

1 Claim, 3 Drawing Sheets



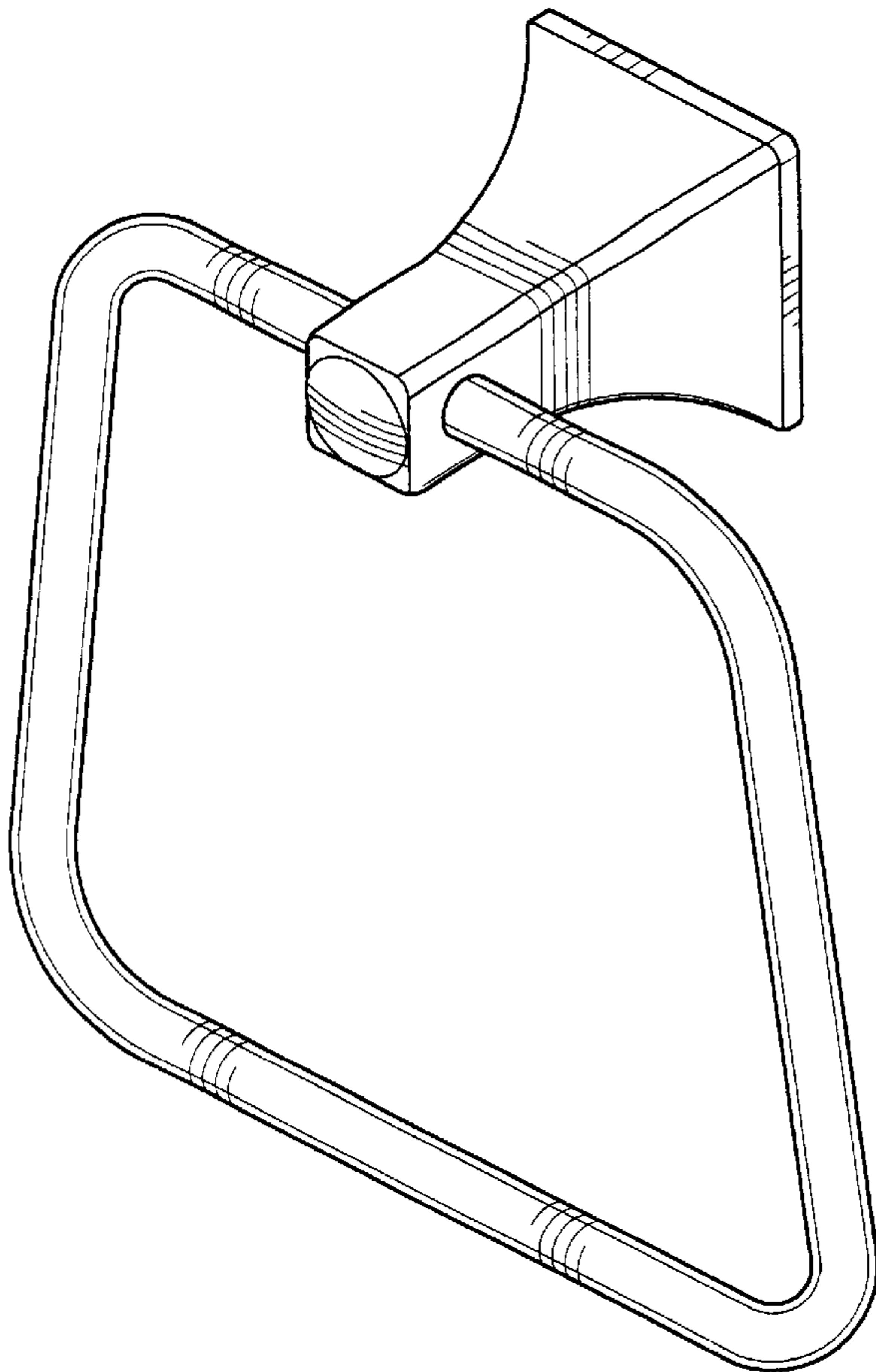


Fig-1

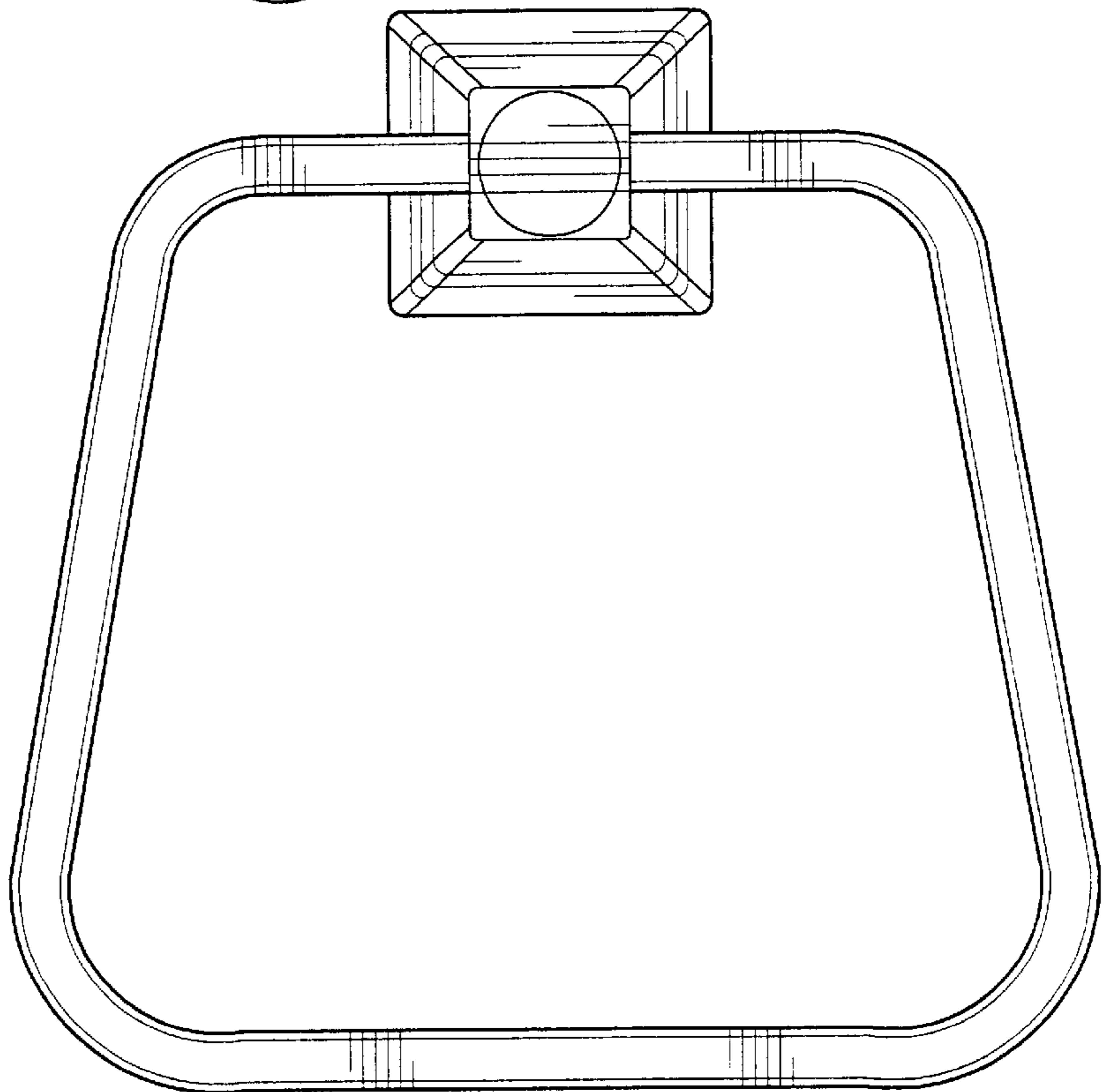


Fig-2

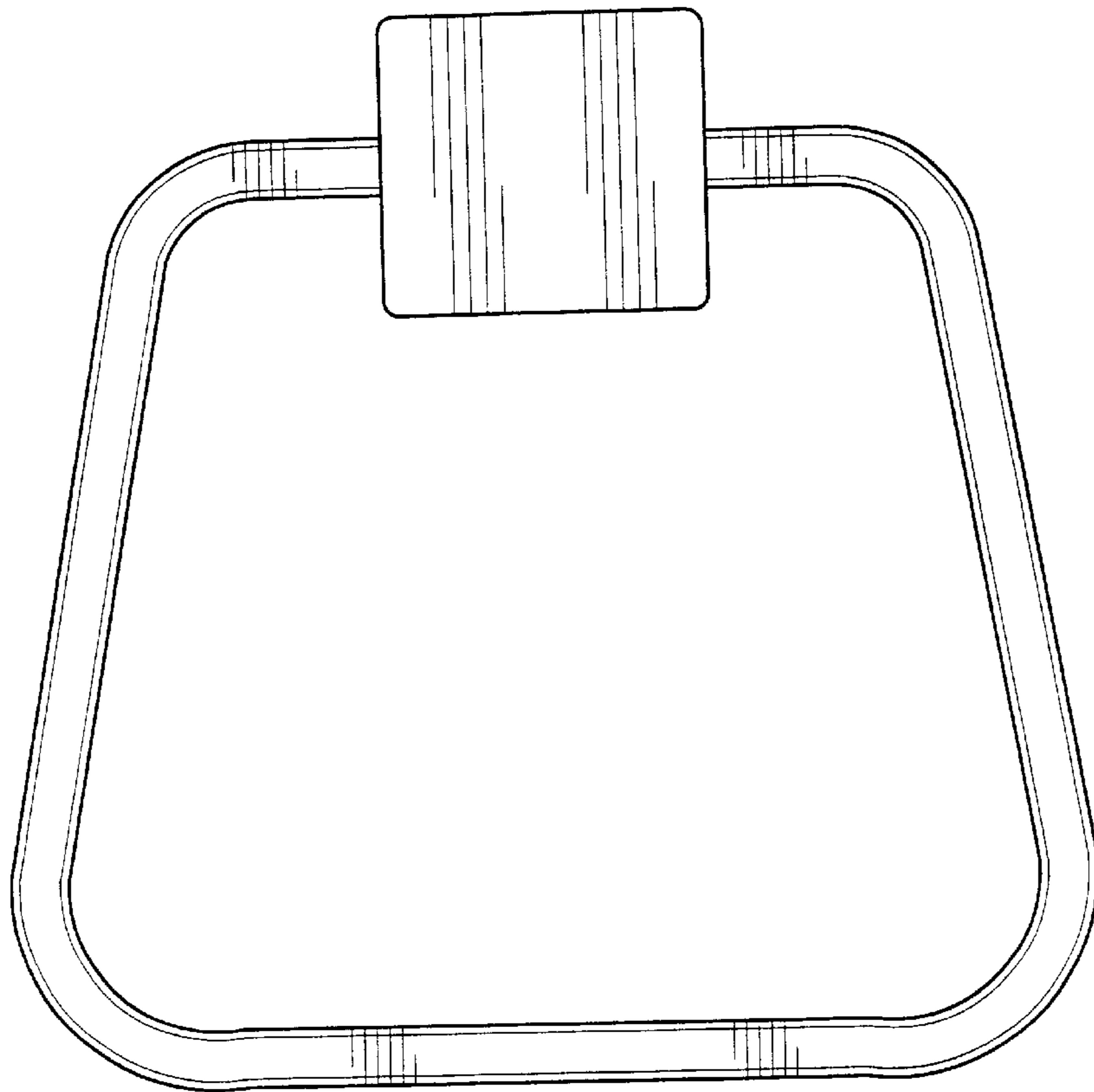


Fig-3

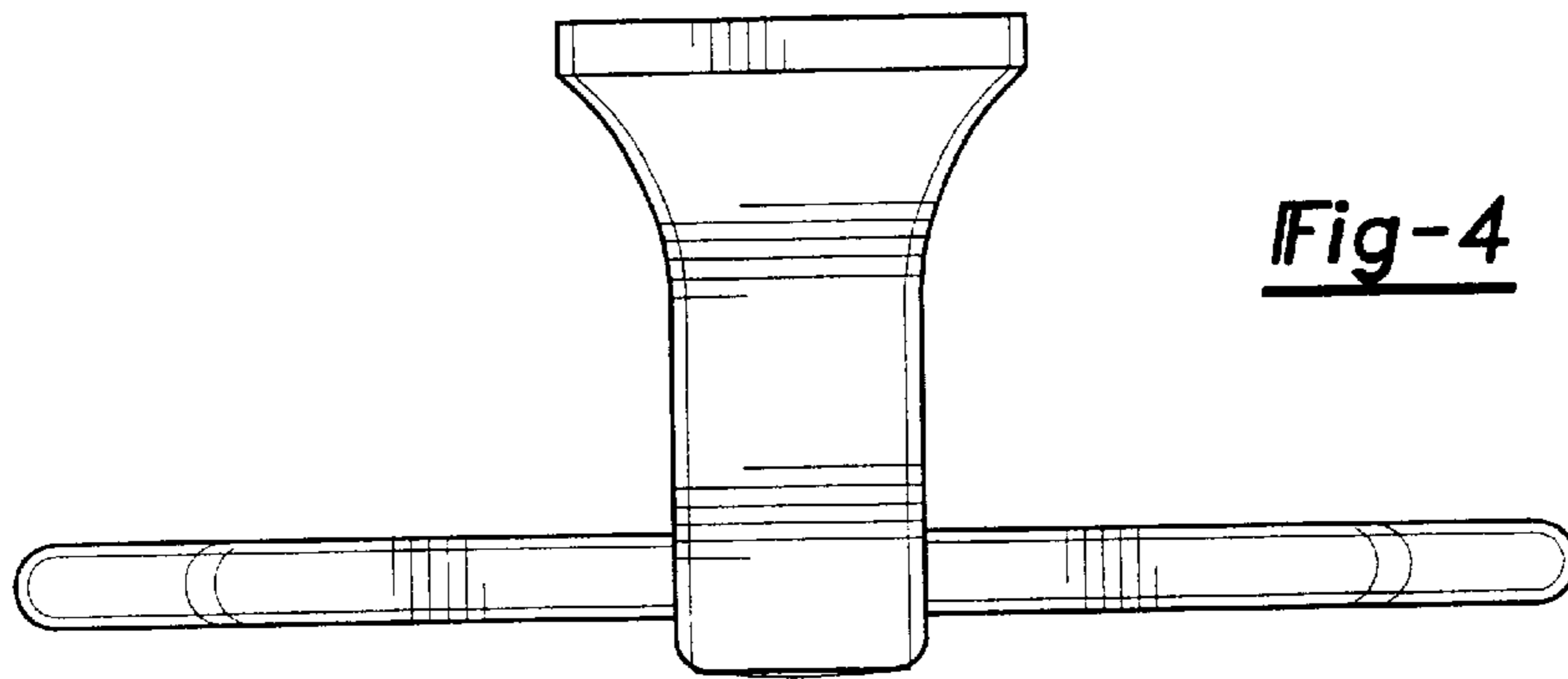


Fig-4

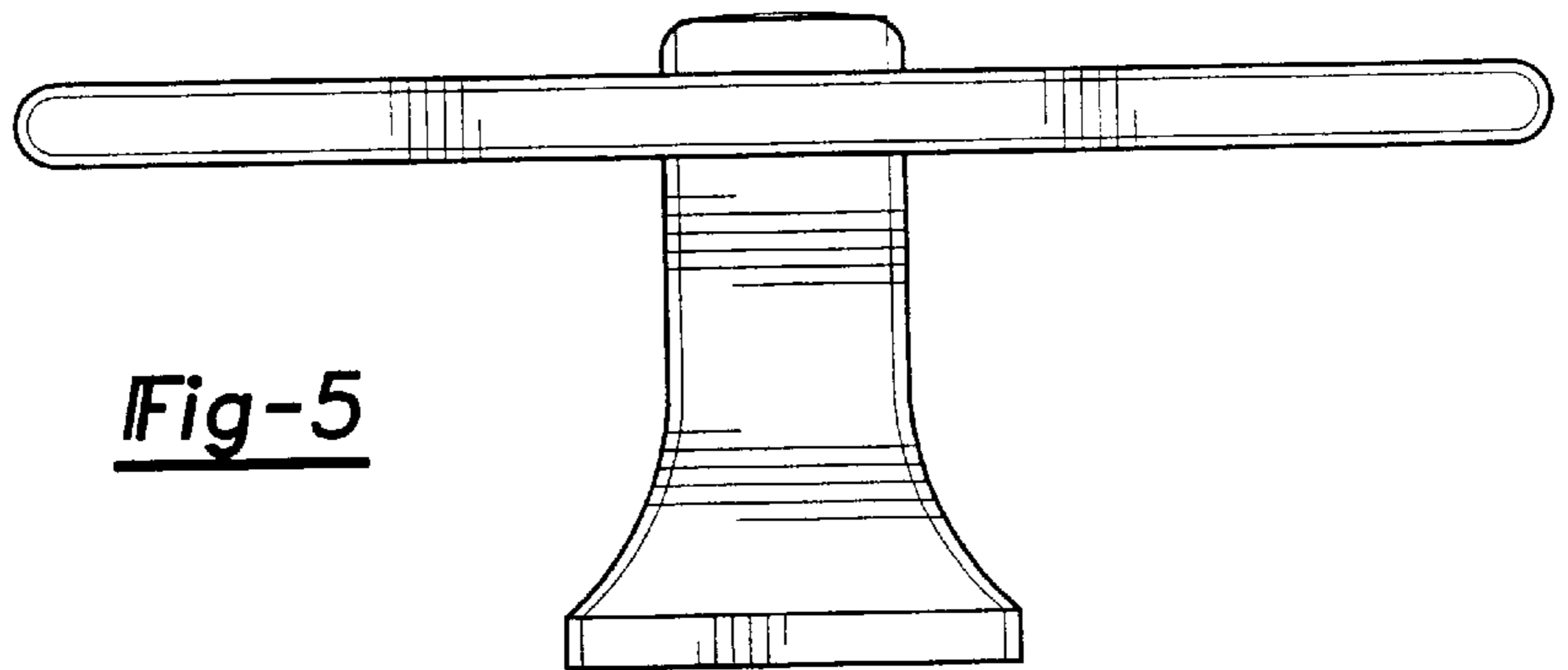


Fig-5

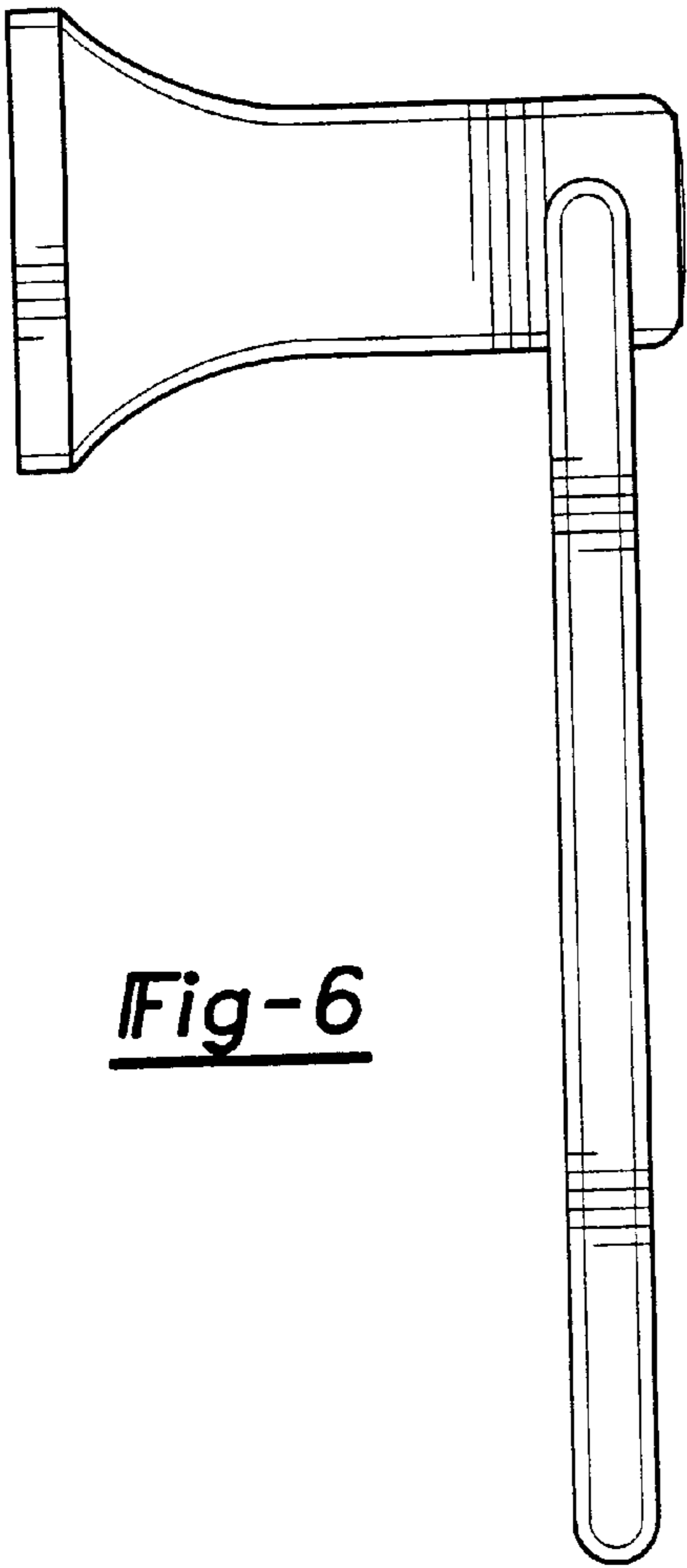


Fig-6

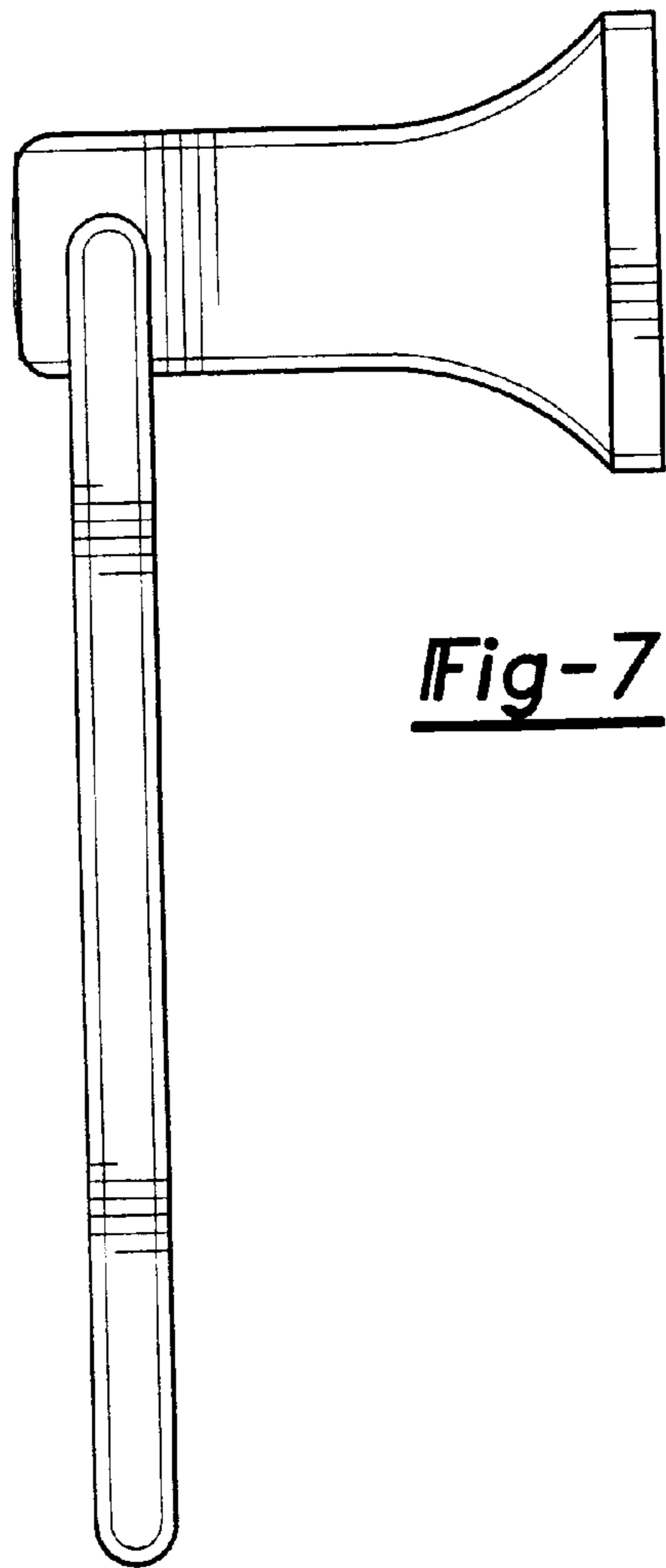


Fig-7