



US00D465364S

(12) **United States Design Patent**
Childs et al.

(10) **Patent No.:** **US D465,364 S**

(45) **Date of Patent:** **** Nov. 12, 2002**

(54) **SURFACE PATTERN FOR A DISPENSER**

(75) Inventors: **Daniel Keating Childs**, Forest Park, IL (US); **Gary Frank Prokop**, Wheaton, IL (US)

(73) Assignee: **Kimberly-Clark Worldwide, Inc.**, Neenah, WI (US)

(**) Term: **14 Years**

(21) Appl. No.: **29/152,589**

(22) Filed: **Dec. 21, 2001**

(51) **LOC (7) Cl.** **20-02**

(52) **U.S. Cl.** **D6/518**

(58) **Field of Search** D6/515, 518, 523; D9/516, 549, 423; D3/273, 294, 318; 206/389, 409, 494; 221/33, 45, 63, 282, 284

(56) **References Cited**

U.S. PATENT DOCUMENTS

2,695,645 A	11/1954	Tupper	
3,519,163 A	7/1970	Bardell	
3,747,802 A	7/1973	Uroshevich	
3,967,756 A *	7/1976	Barish	221/45
4,117,946 A	10/1978	Kessler	
4,200,200 A	4/1980	Hein, III et al.	
D363,669 S *	10/1995	Pennoyer, Jr.	D9/423
D367,609 S	3/1996	Frank et al.	
D395,952 S	7/1998	Buczynski et al.	
D406,463 S	3/1999	Rutledge	
D414,637 S *	10/1999	Amundson et al.	D6/518
D437,686 S	2/2001	Balzar et al.	

D443,451 S 6/2001 Buck et al.
D449,528 S 10/2001 Buck et al.
D450,960 S 11/2001 Boyea et al.

* cited by examiner

Primary Examiner—Brian N. Vinson

(74) *Attorney, Agent, or Firm*—Michael J. Bendel

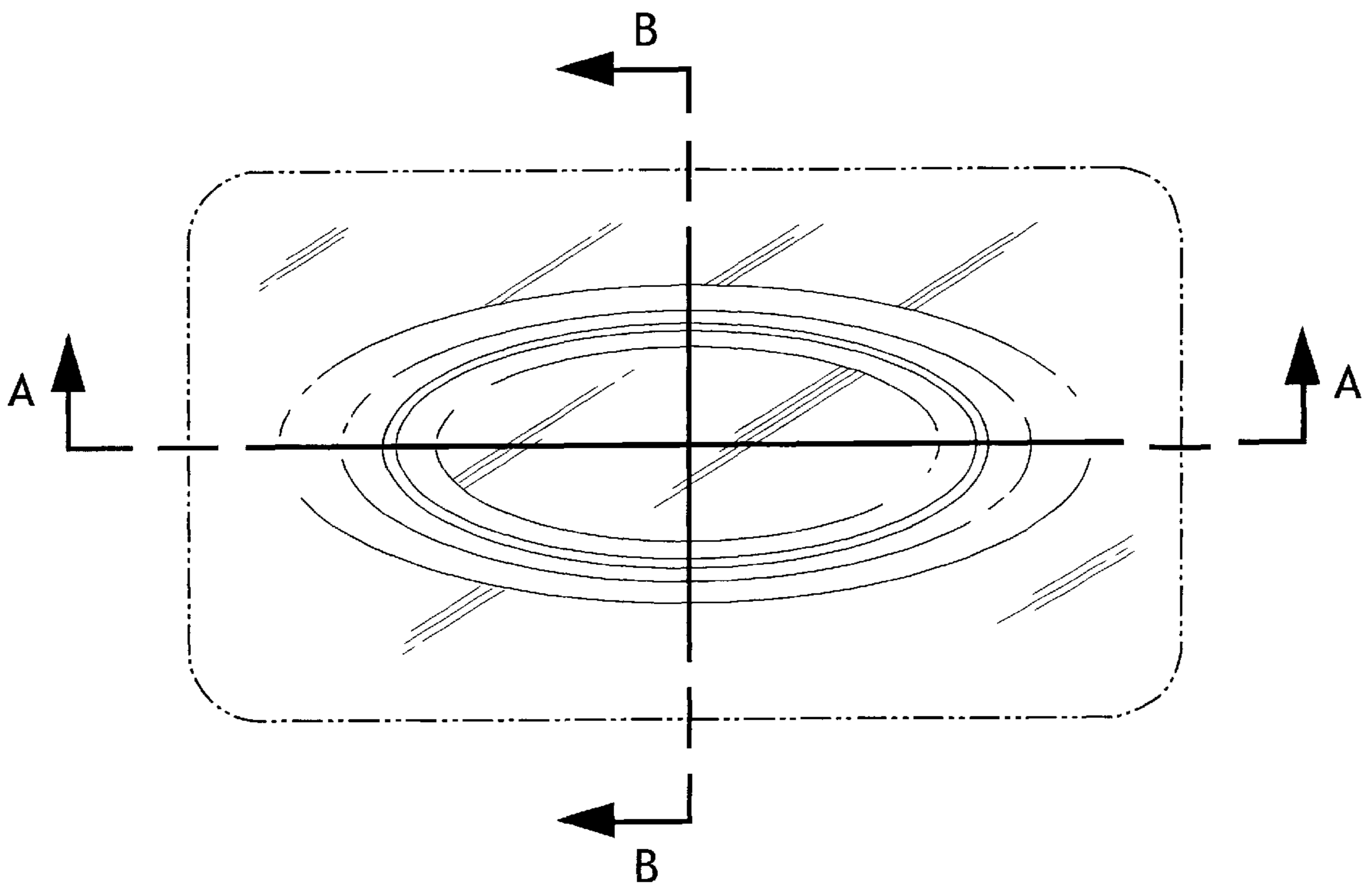
(57) **CLAIM**

We claim the ornamental design for a surface pattern for a dispenser, as shown and described.

DESCRIPTION

FIG. 1 is a perspective view of a surface pattern for a dispenser showing our new design;
 FIG. 2 is a top view thereof.
 FIG. 3 is a front view thereof.
 FIG. 4 is a back view thereof.
 FIG. 5 is a right side view thereof.
 FIG. 6 is a left side view thereof.
 FIG. 7 is a cross-sectional view along the line A—A of FIG. 1.
 FIG. 8 is a cross-sectional view along the line B—B of FIG. 1; and,
 FIG. 9 is a perspective view of an alternate embodiment of a surface pattern for a dispenser showing our new design, but with the surface pattern of indeterminate length and indeterminate width and sized proportional to the surface pattern of FIG. 1.
 The broken line showing of the dispenser is for illustrative purposes only and forms no part of the claimed design.

1 Claim, 7 Drawing Sheets



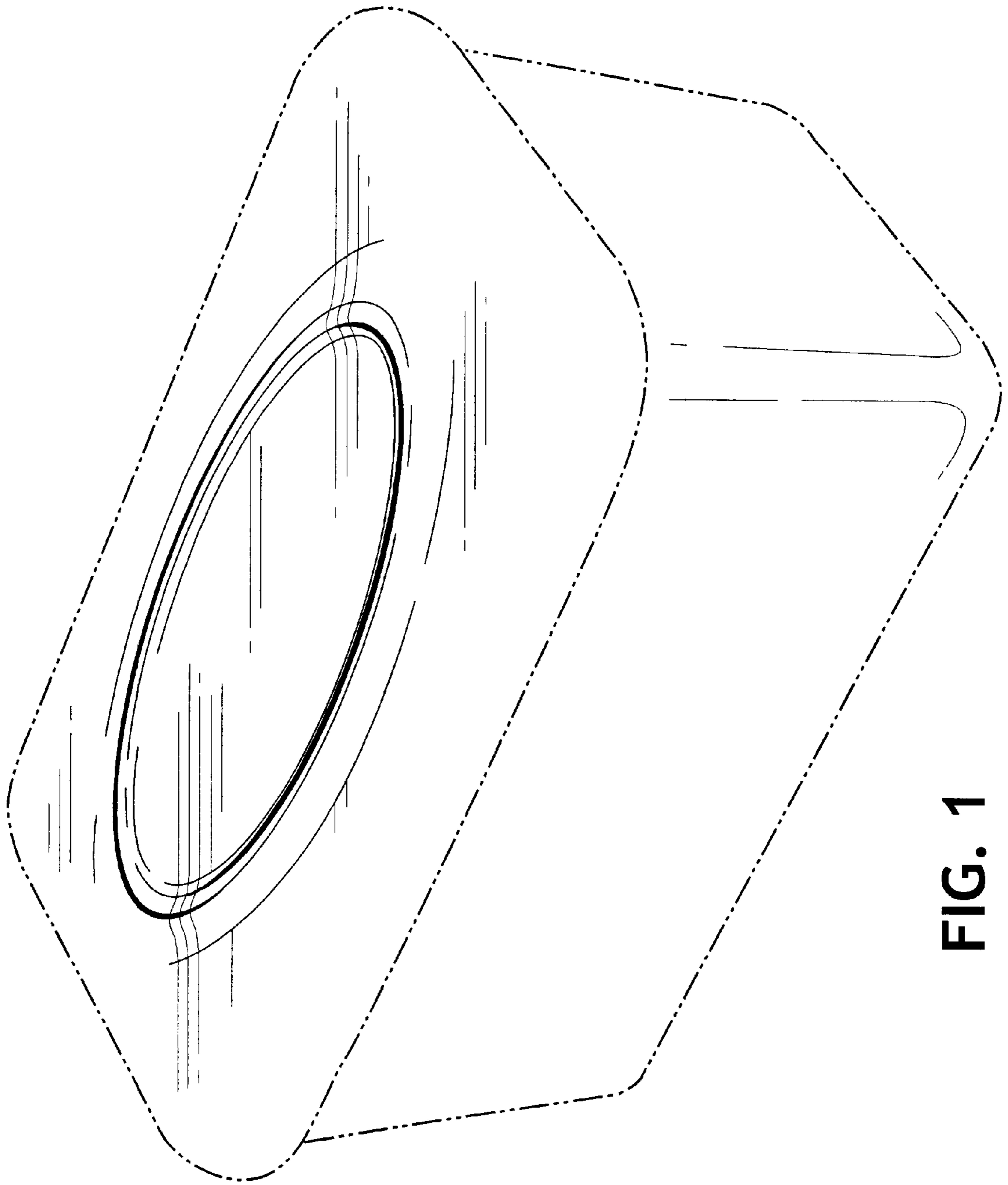


FIG. 1

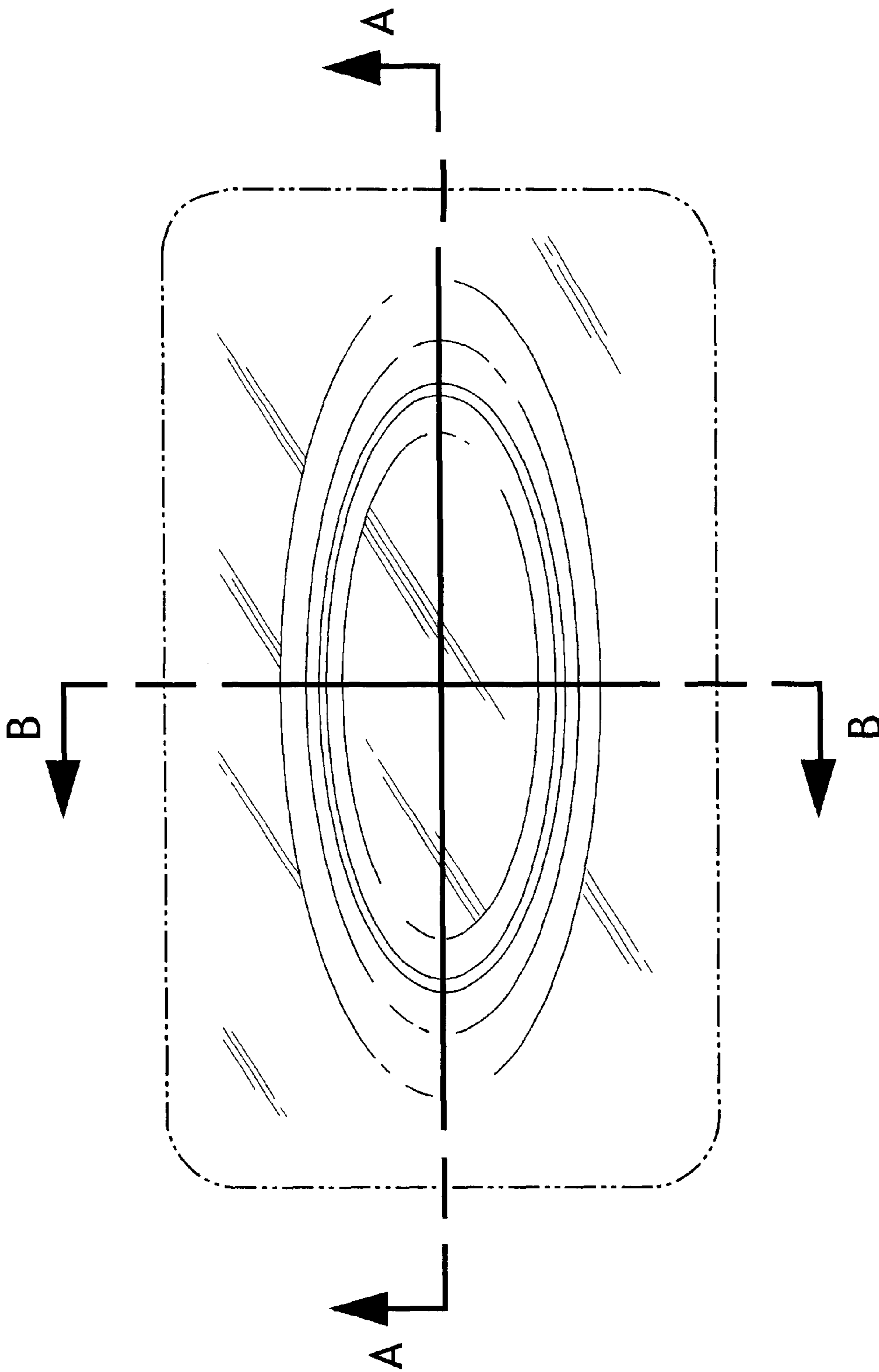


FIG. 2

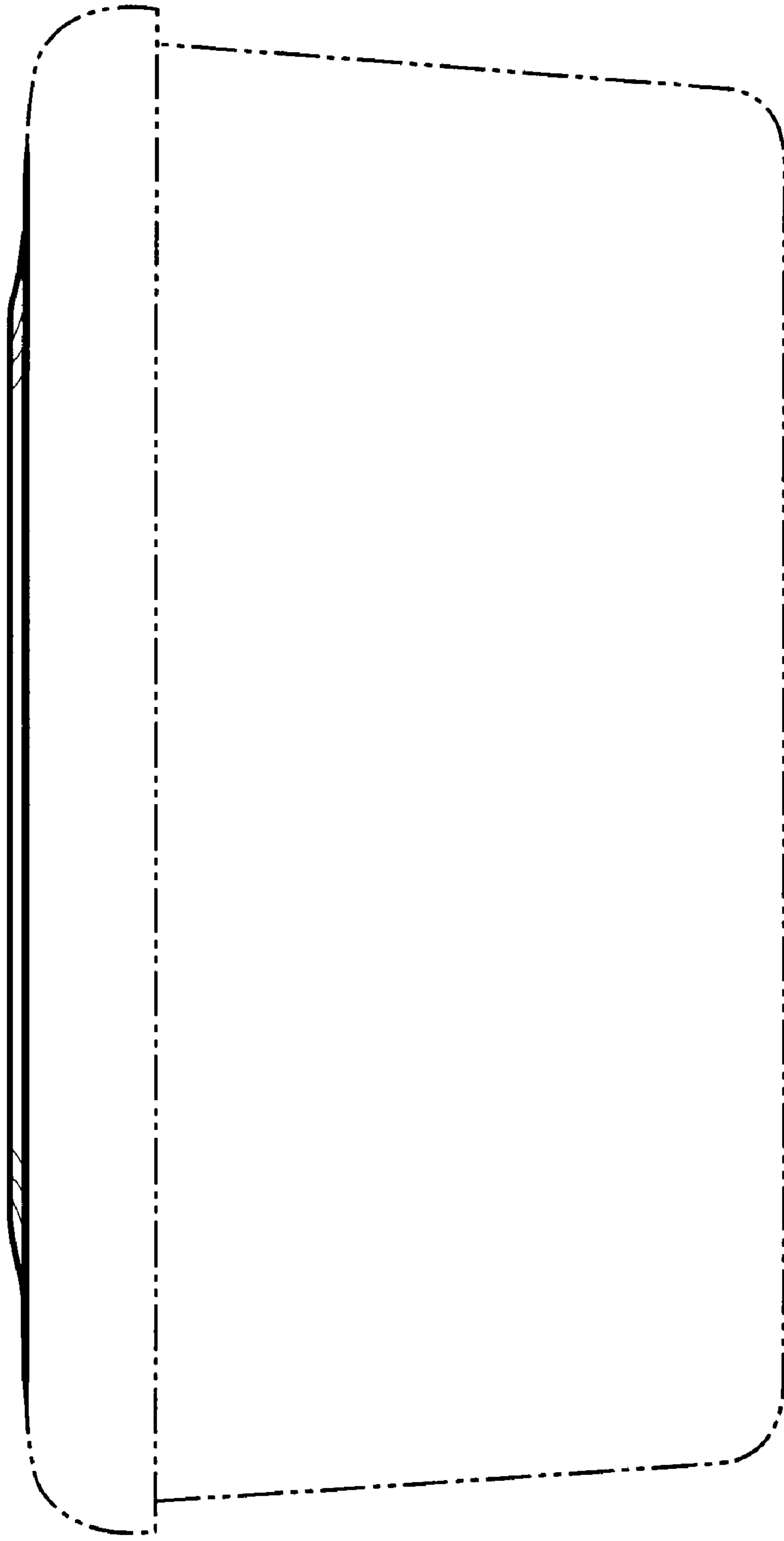


FIG. 3

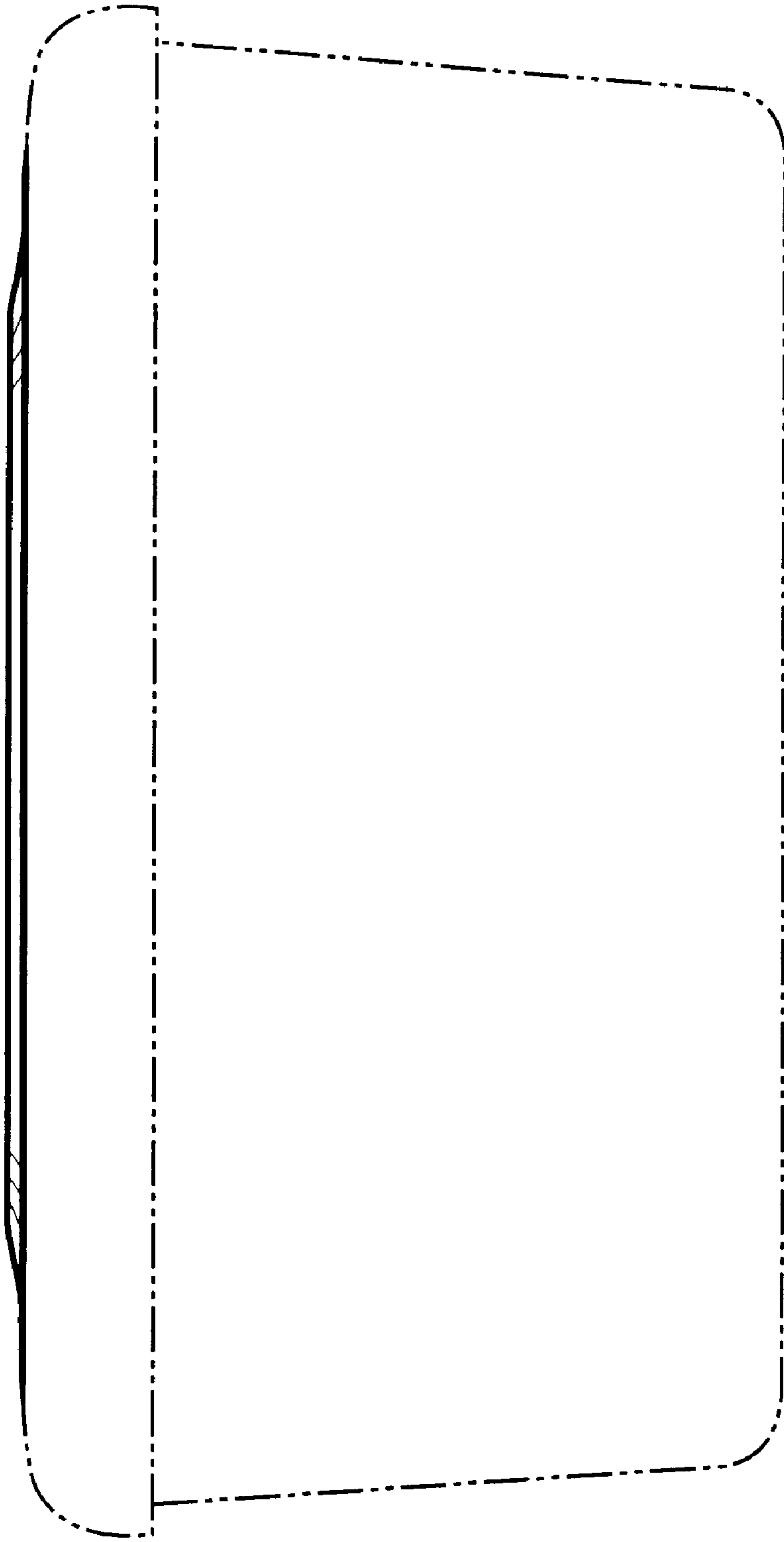


FIG. 4

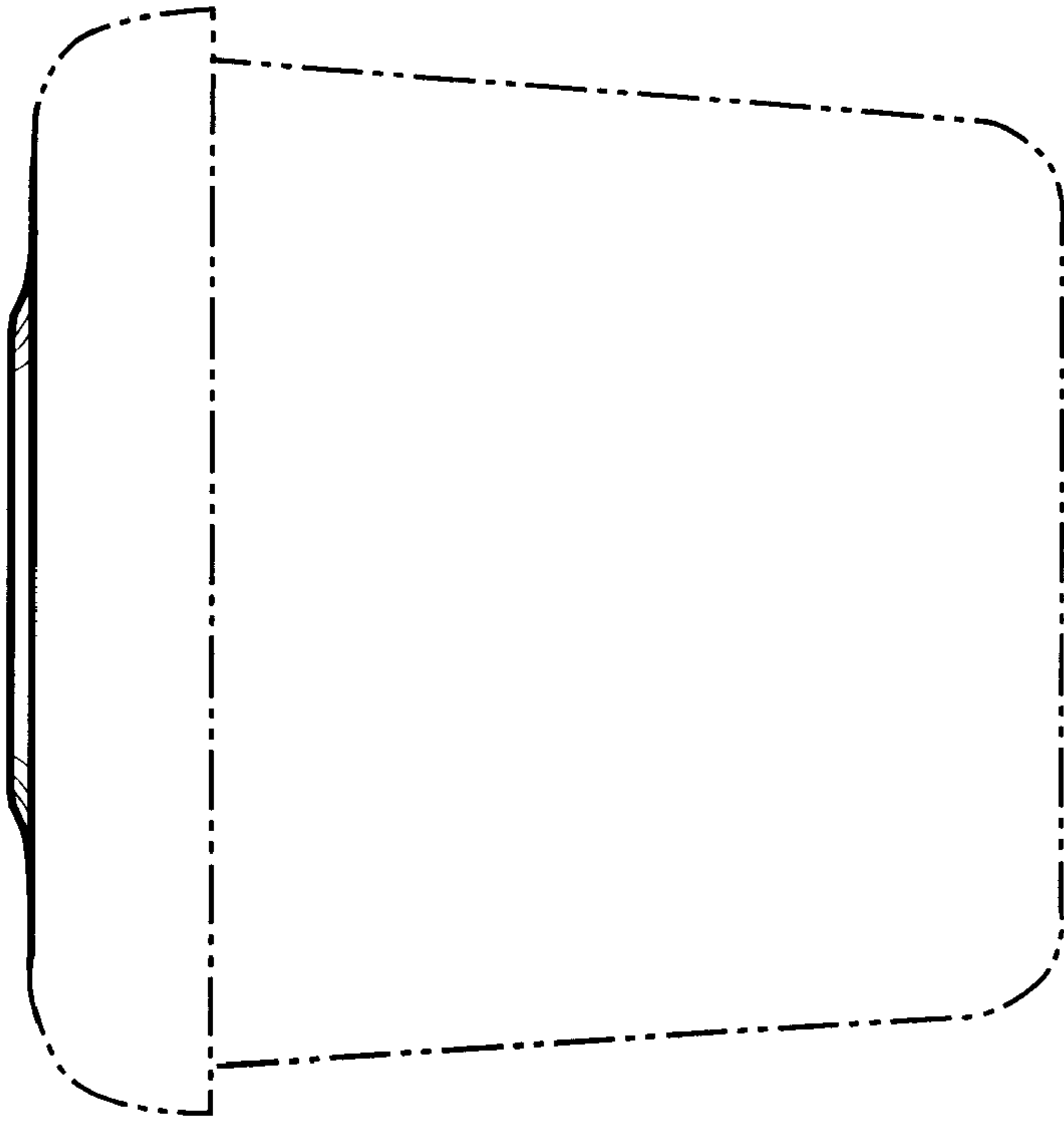


FIG. 5

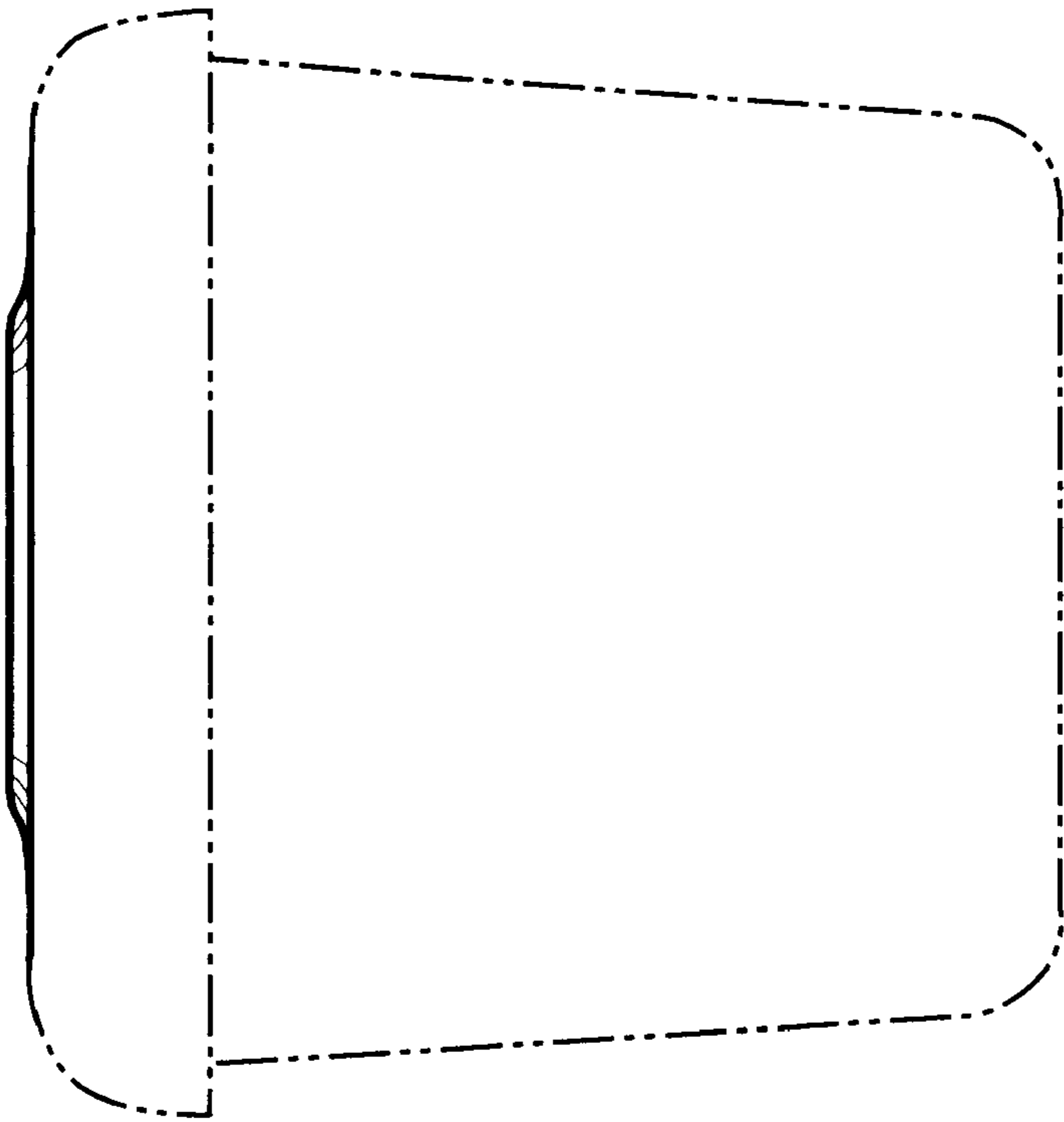


FIG. 6

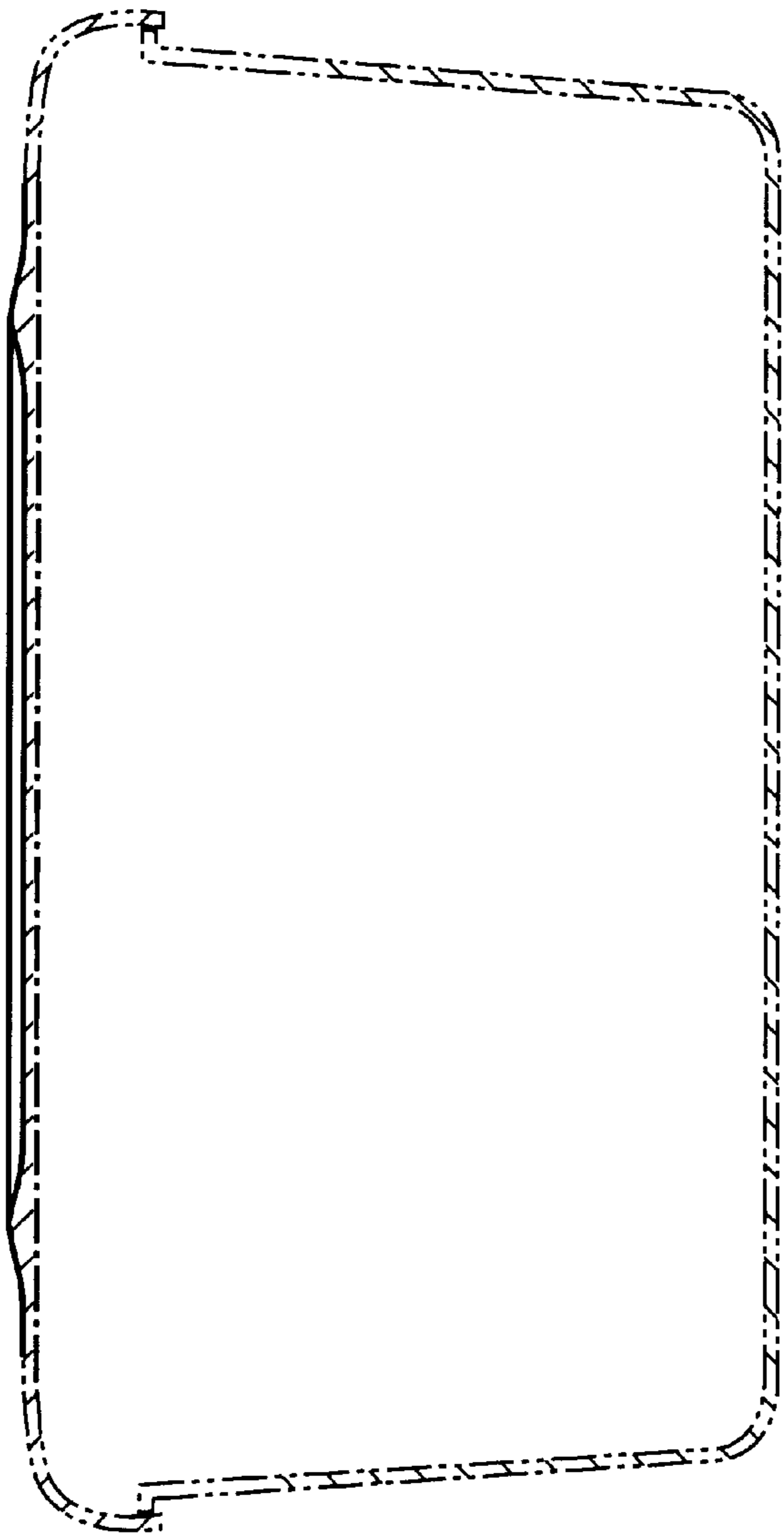
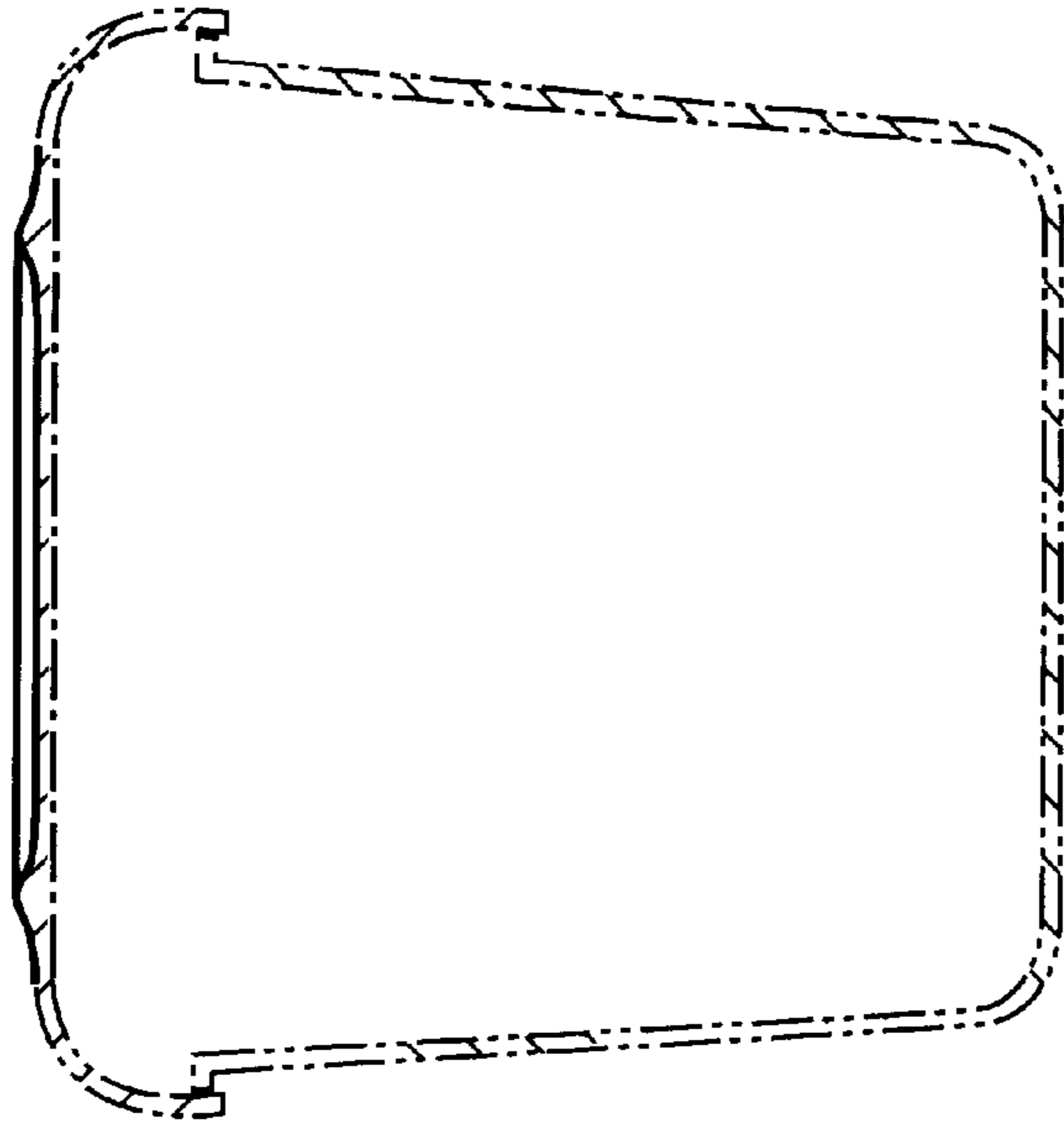


FIG. 7

FIG. 8

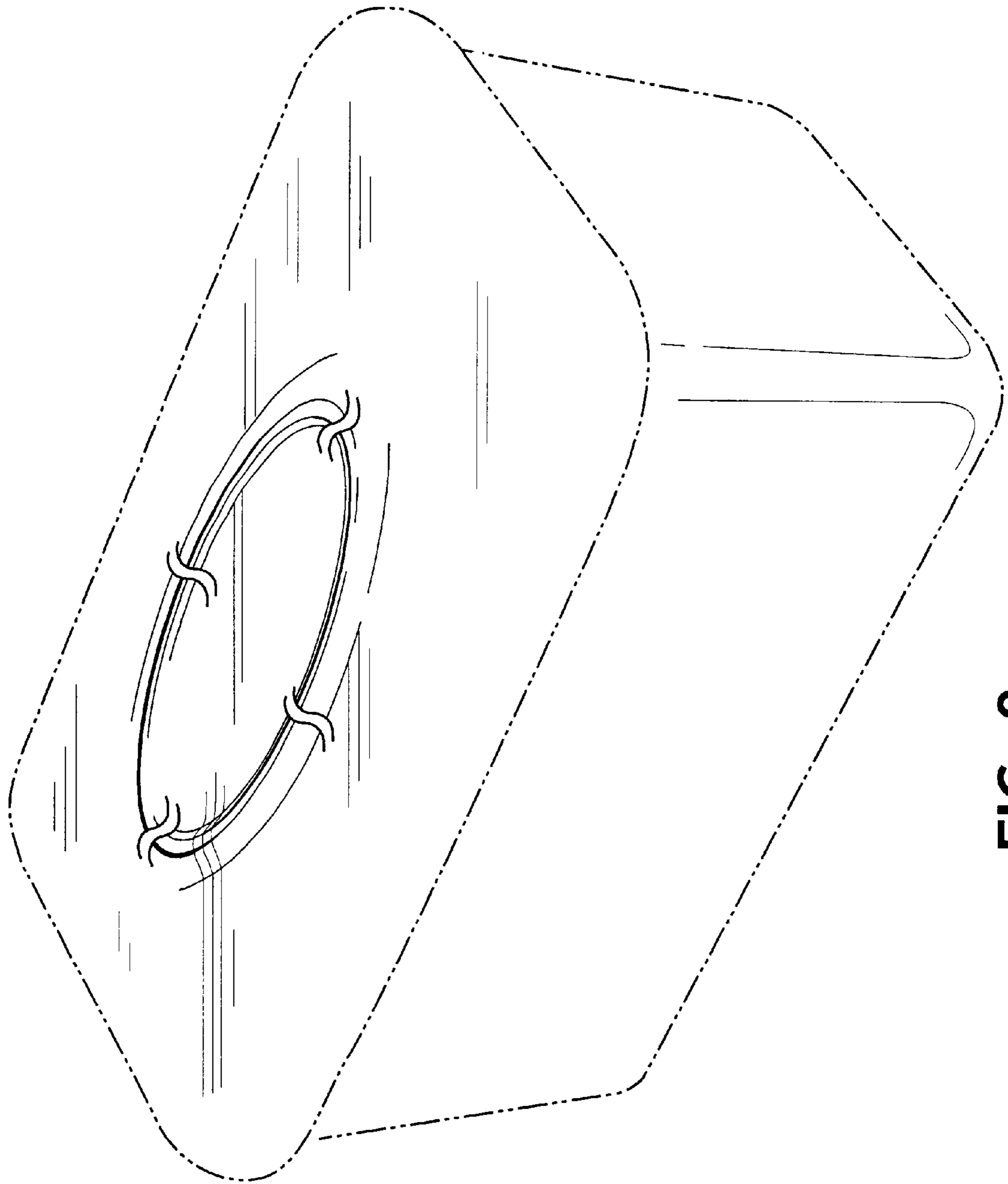


FIG. 9