



US00D465362S

(12) **United States Design Patent**
Helsloot

(10) **Patent No.:** **US D465,362 S**

(45) **Date of Patent:** **** Nov. 12, 2002**

(54) **SUSPENDED FRAME FOR THE TRANSPORT OF FLOWER CONTAINERS**

(75) Inventor: **Joannes Carolus Antonius Helsloot**,
Den Bosch (NL)

(73) Assignee: **Pagter Innovations B.V.**, Dinteloord
(NL)

(**) Term: **14 Years**

(21) Appl. No.: **29/119,551**

(22) Filed: **Mar. 2, 2000**

(30) **Foreign Application Priority Data**

Sep. 2, 1999 (XH) DM/050 235

(51) **LOC (7) Cl.** **06-06**

(52) **U.S. Cl.** **D6/513; D34/27**

(58) **Field of Search** D34/12-27; D6/513,
D6/553, 567; 211/85.31, 113; 248/304,
205.1, 215

(56) **References Cited**

U.S. PATENT DOCUMENTS

5,421,465 A * 6/1995 Dunner, Jr. 211/115
D438,413 S * 3/2001 Hawkins D6/513

* cited by examiner

Primary Examiner—Kay H. Chin

(74) *Attorney, Agent, or Firm*—Ladas & Parry

(57) **CLAIM**

The ornamental design for a suspended frame for the transport of flower containers, as shown and described.

DESCRIPTION

FIG. 1 is a right side elevation view of a suspended frame for the transport of flower containers showing my new design;

FIG. 1A is a fragmentary portion of the right side view on an enlarged scale of the area within the circled region 1A of FIG. 1;

FIG. 2 is a top plan view thereof;

FIG. 3 is a left end view thereof;

FIG. 4 is a right end view thereof;

FIG. 4A is a fragmentary portion of the right end view on an enlarged scale of the area within the circled region 4A of FIG. 4;

FIG. 5 is a left side elevation view thereof;

FIG. 6 is a bottom plan view thereof;

FIG. 7 is a perspective view thereof;

FIG. 8 is a right side elevation view of a second embodiment of the suspended frame for the transport of flower containers;

FIG. 8A is a fragmentary portion of the right side view on an enlarged scale of the area within the circled region 8A of FIG. 8;

FIG. 9 is a top plan view of FIG. 8;

FIG. 10 is a left end view of FIG. 8;

FIG. 11 is a right end view of FIG. 8;

FIG. 11A is a fragmentary portion of the right end view on an enlarged scale of the area within the circled region 11A of FIG. 11;

FIG. 12 is a left side elevation view of FIG. 8;

FIG. 13 is a bottom plan view of FIG. 8;

FIG. 14 is a perspective view of FIG. 8;

FIG. 15 is a right side elevation view of a third embodiment of the suspended frame for the transport of flower containers;

FIG. 15A is a fragmentary portion of the right side view on an enlarged scale of the area within the circled region 15A of FIG. 15;

FIG. 16 is a top plan view of FIG. 15;

FIG. 17 is a left end view of FIG. 15;

FIG. 18 is a right end view of FIG. 15;

FIG. 18A is a fragmentary portion of the right end view on an enlarged scale of the area within the circled region 18A of FIG. 18;

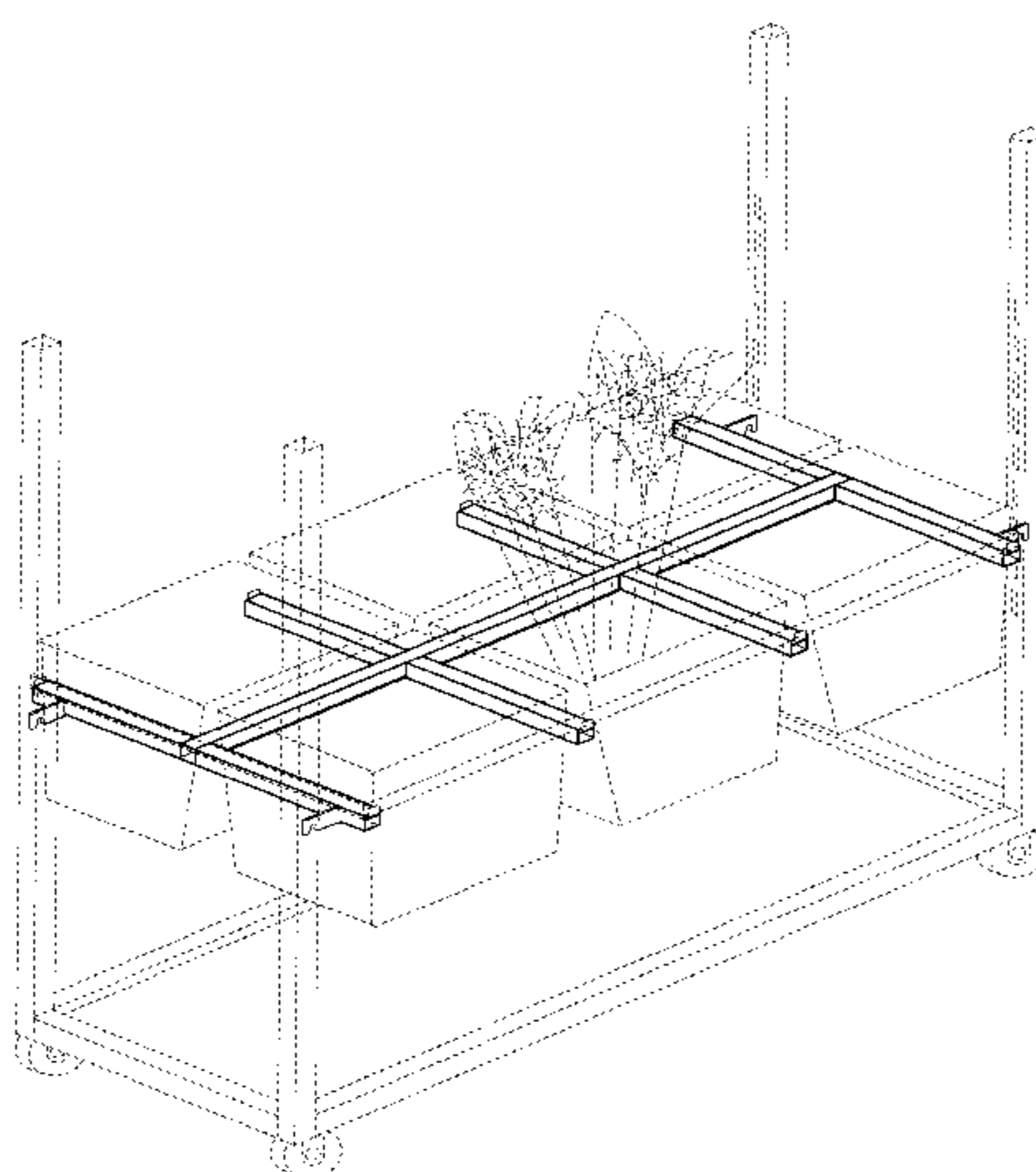
FIG. 19 is a left side elevation view of FIG. 15;

FIG. 20 is a bottom plan view of FIG. 15;

FIG. 21 is a perspective view of FIG. 15; and,

FIG. 22 is a perspective view of FIG. 8 with the broken line illustration of the cart and containers, which are for illustrative purposes only and form no part of the claimed design.

1 Claim, 7 Drawing Sheets



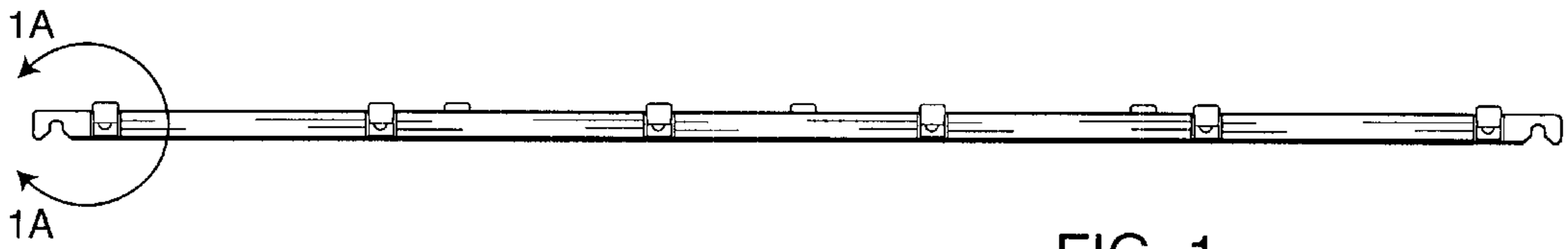


FIG. 1

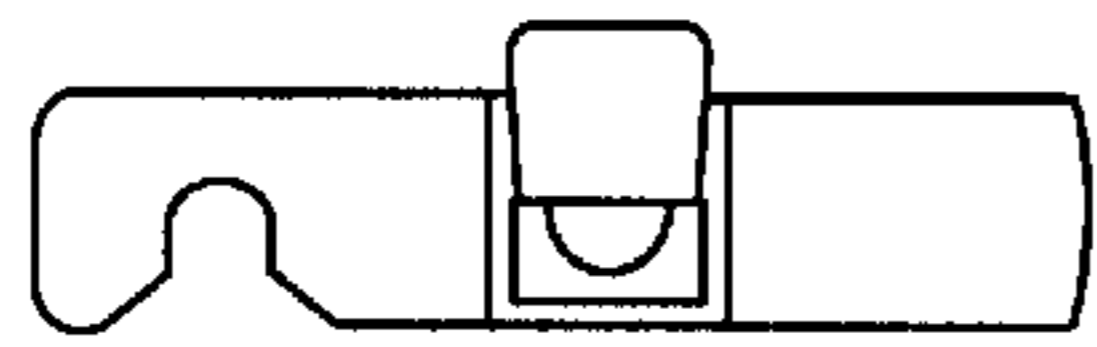


FIG. 1A

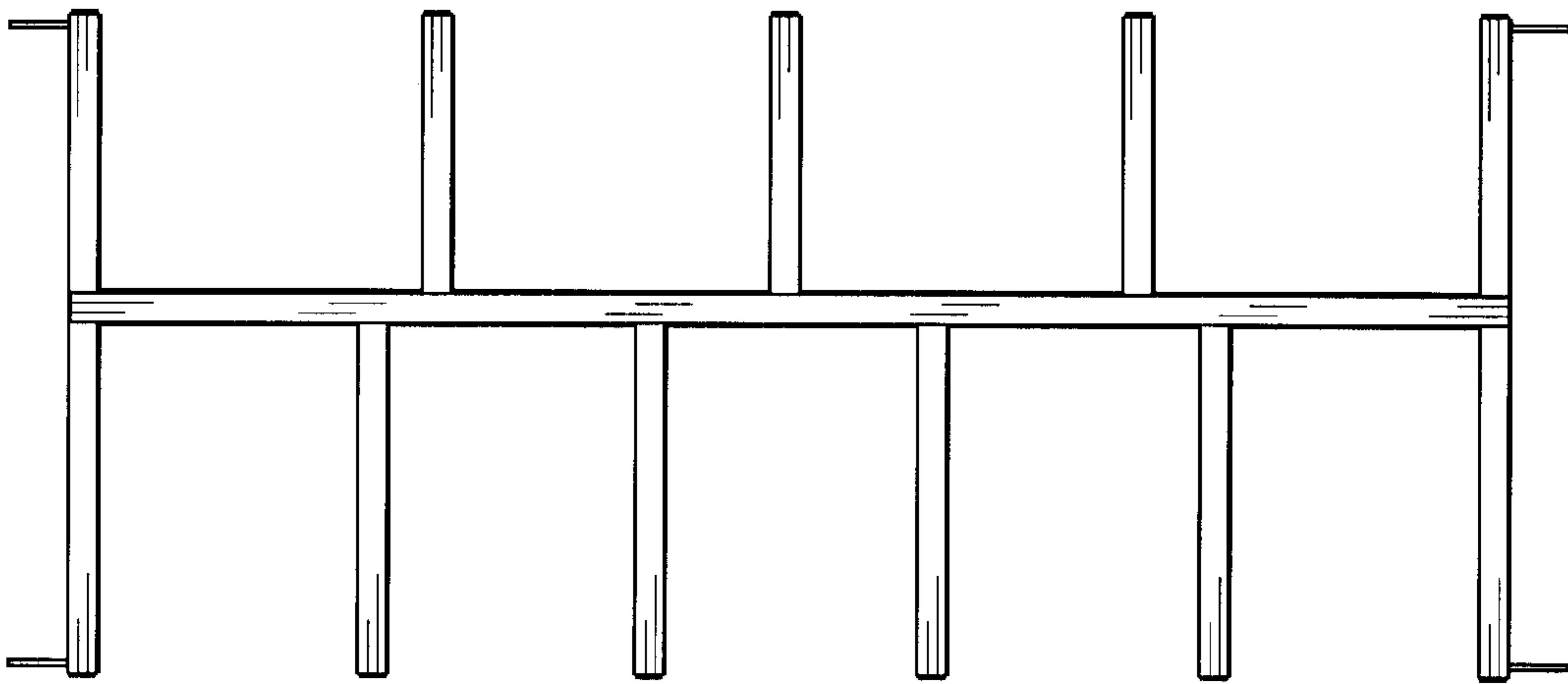


FIG. 2



FIG. 3

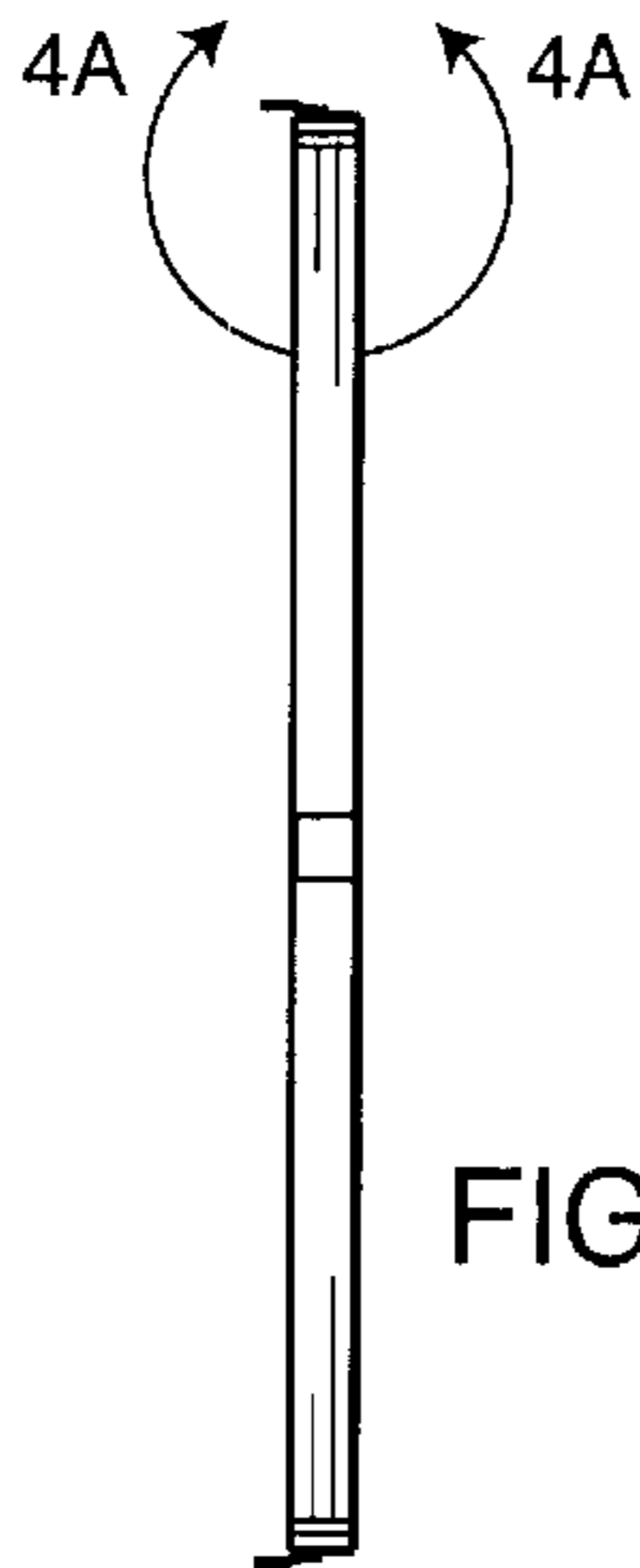


FIG. 4

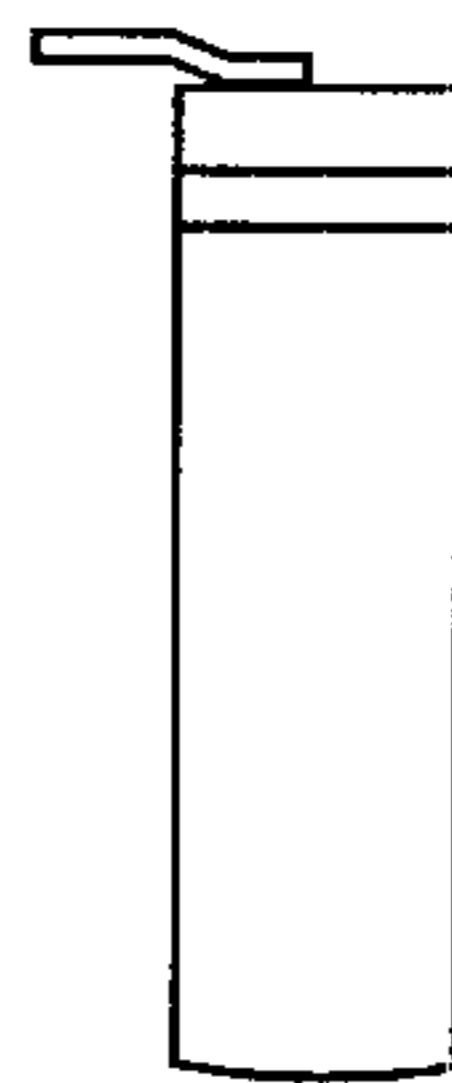


FIG. 4A



FIG. 5

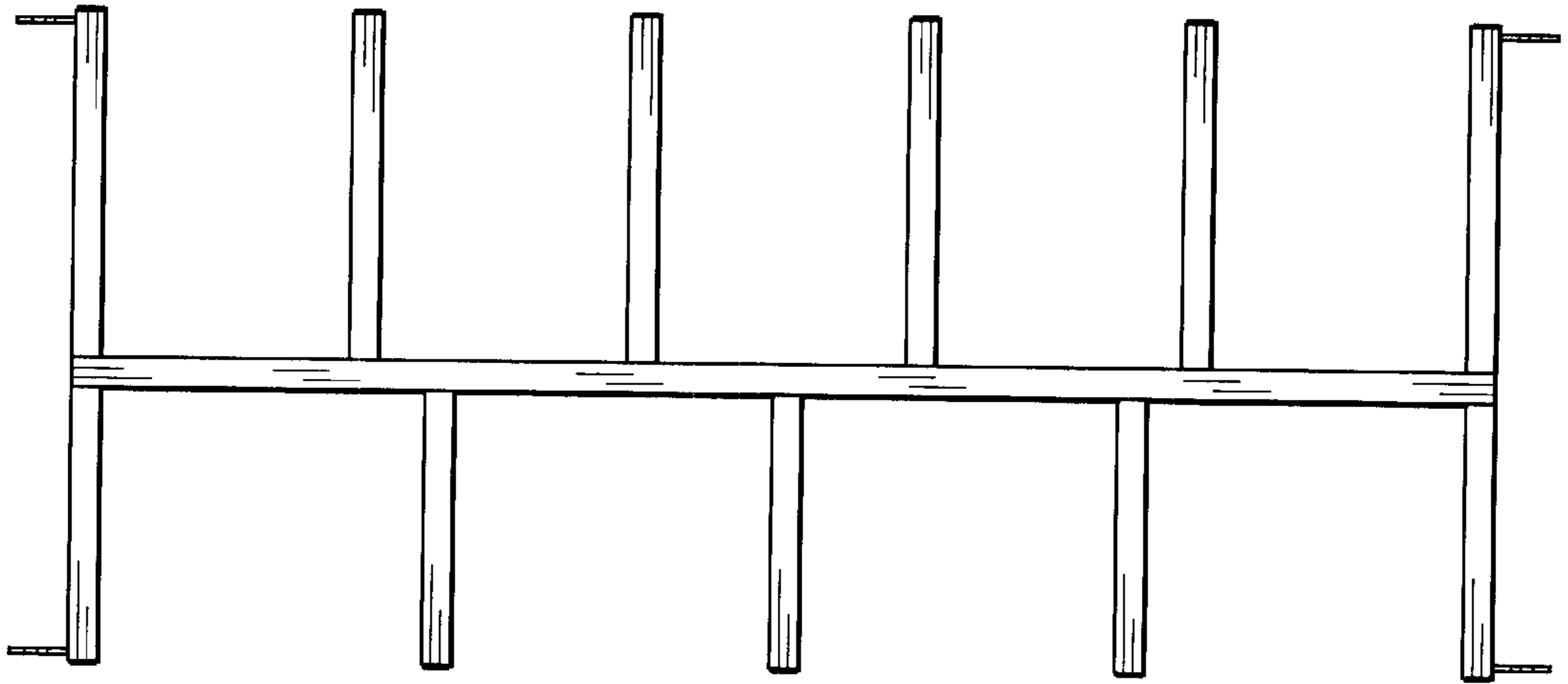


FIG. 6

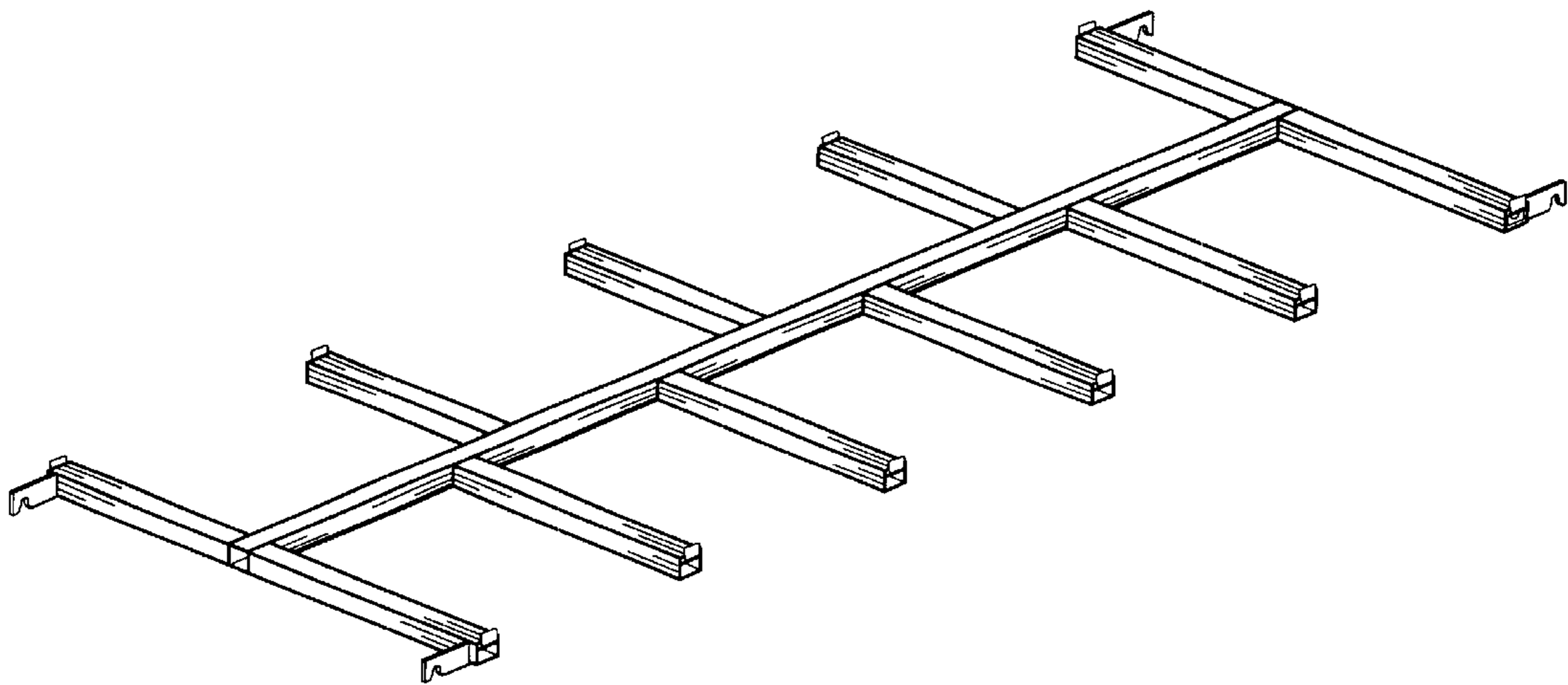


FIG. 7

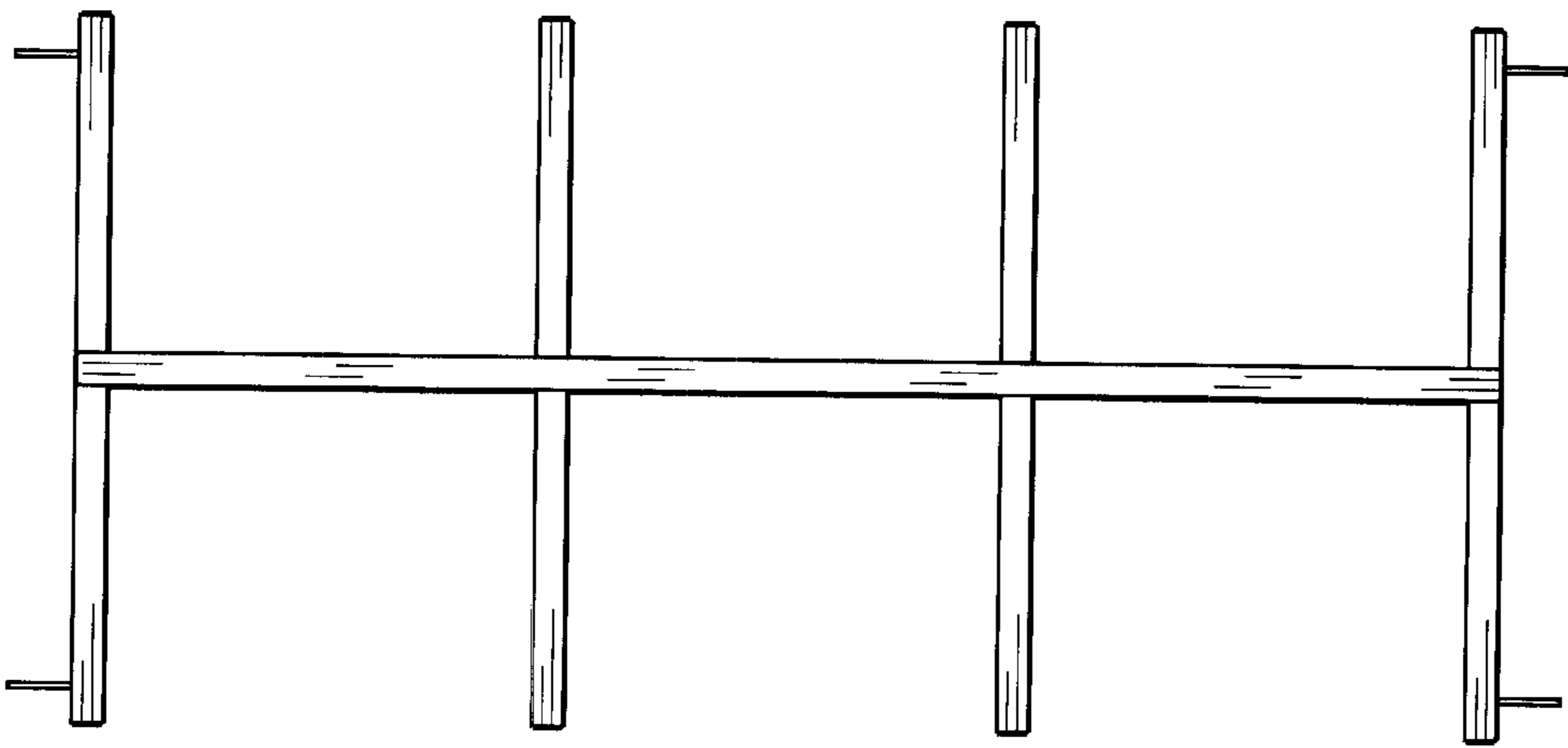


FIG. 9

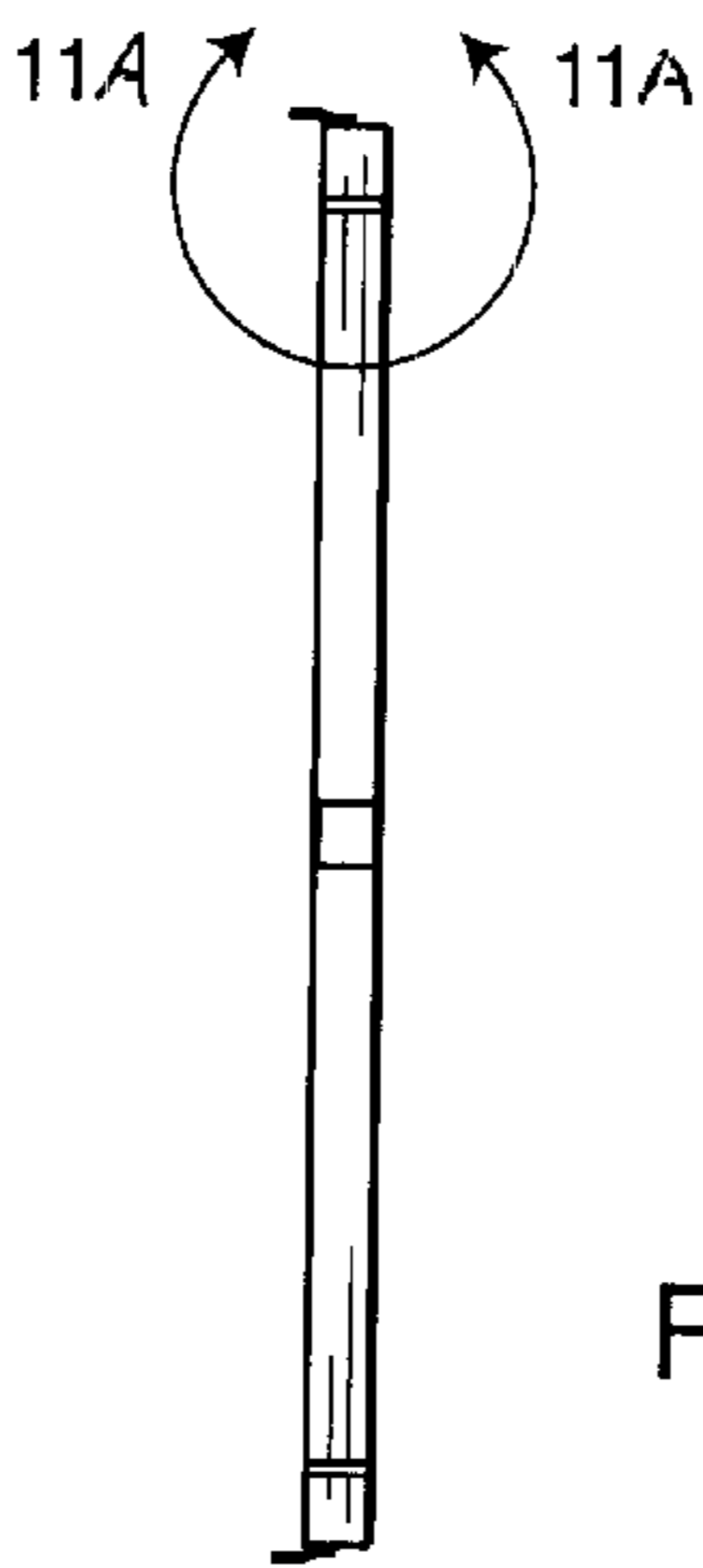
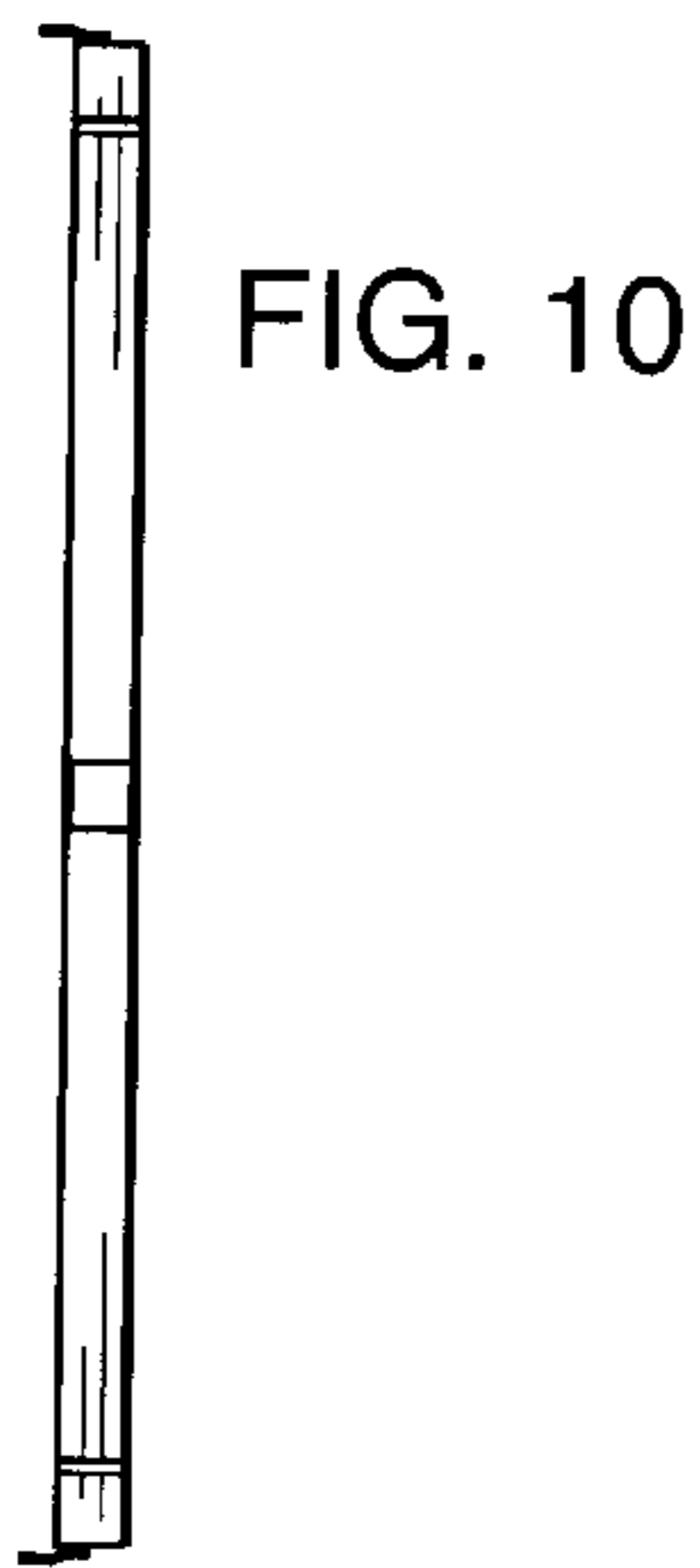


FIG. 11A

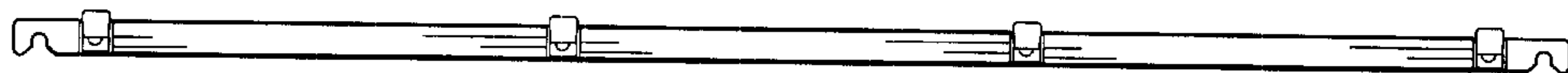


FIG. 12

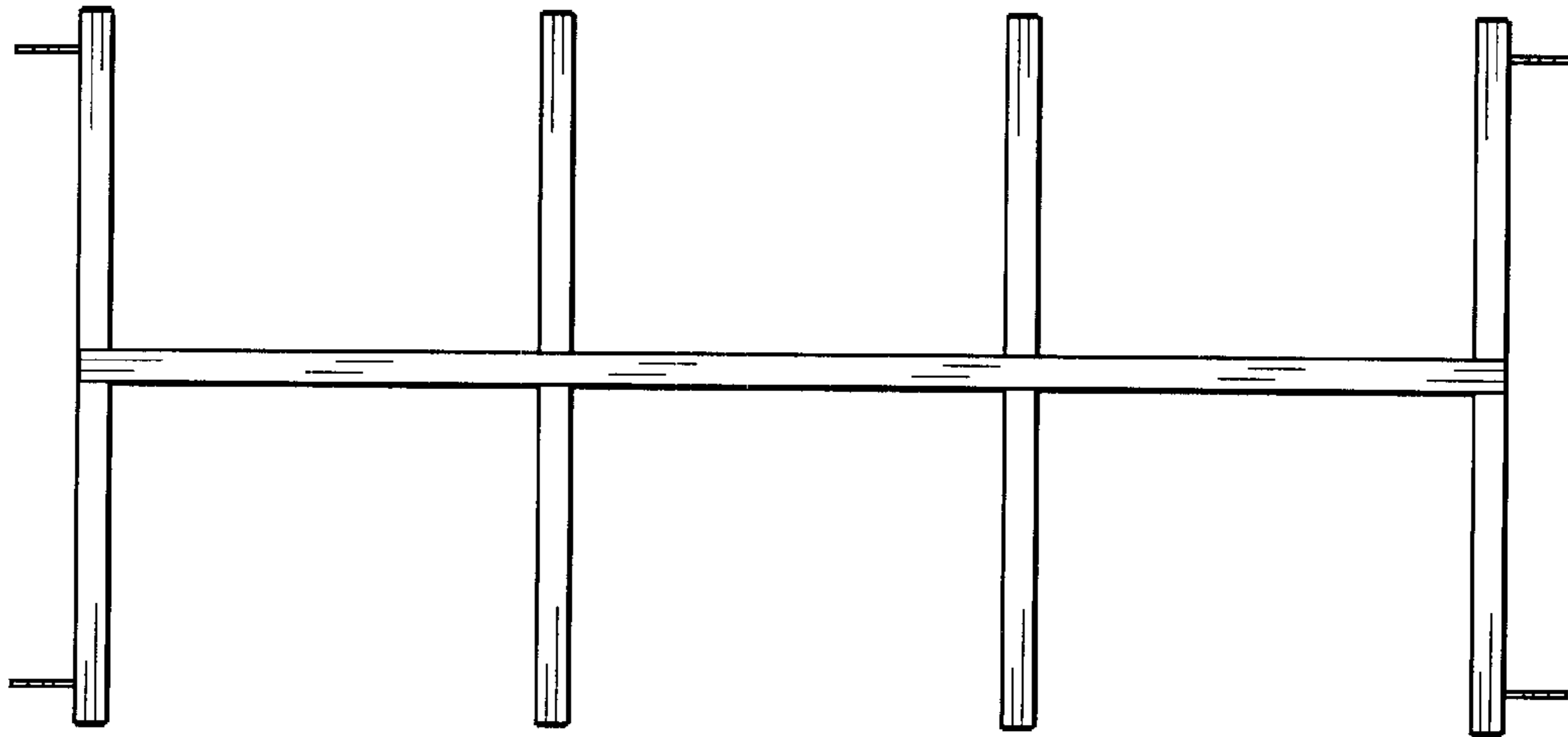


FIG. 13

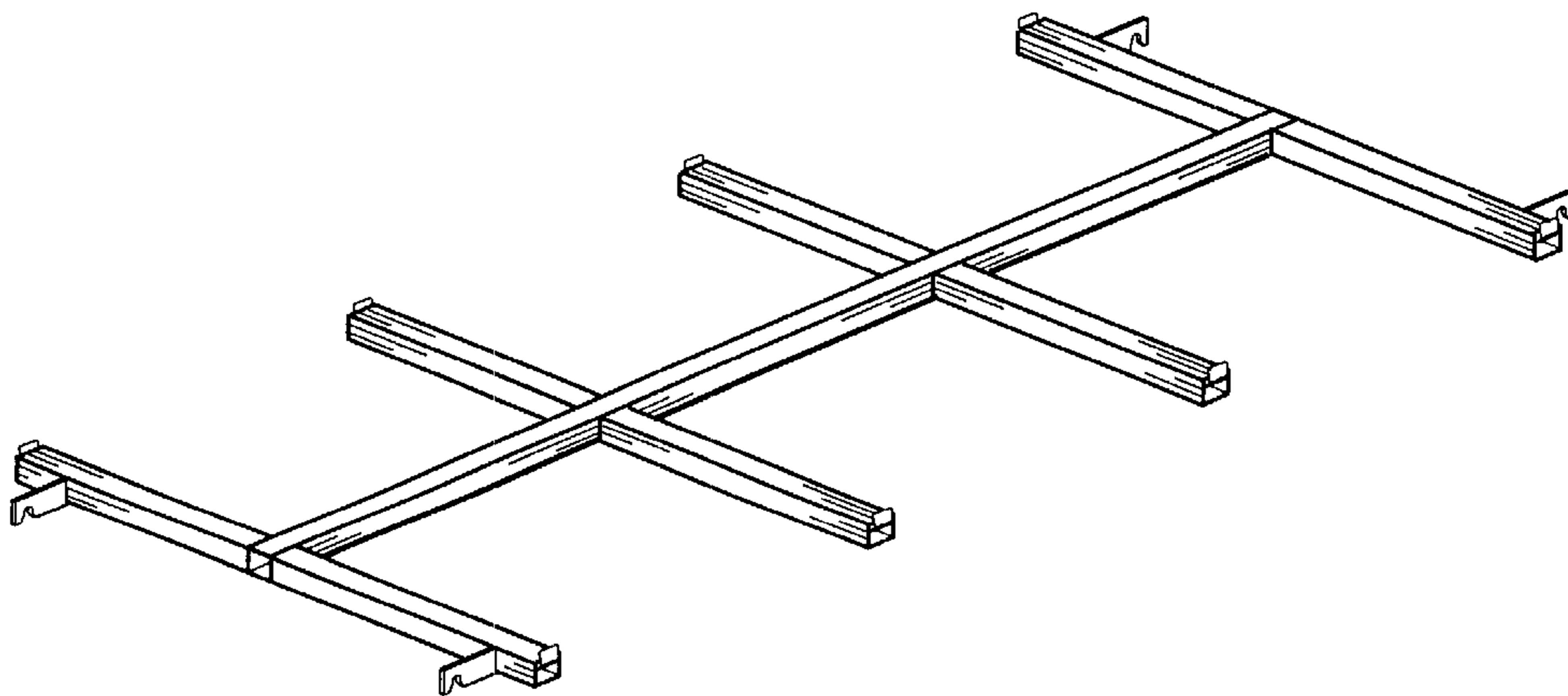


FIG. 14

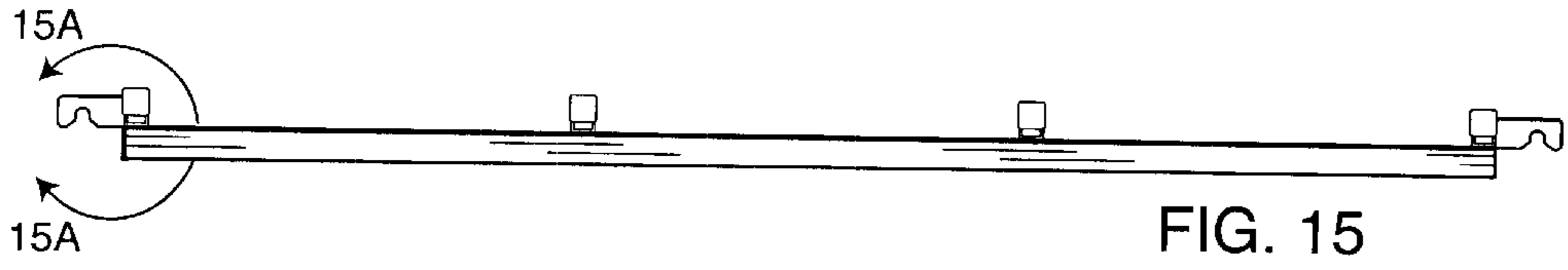


FIG. 15

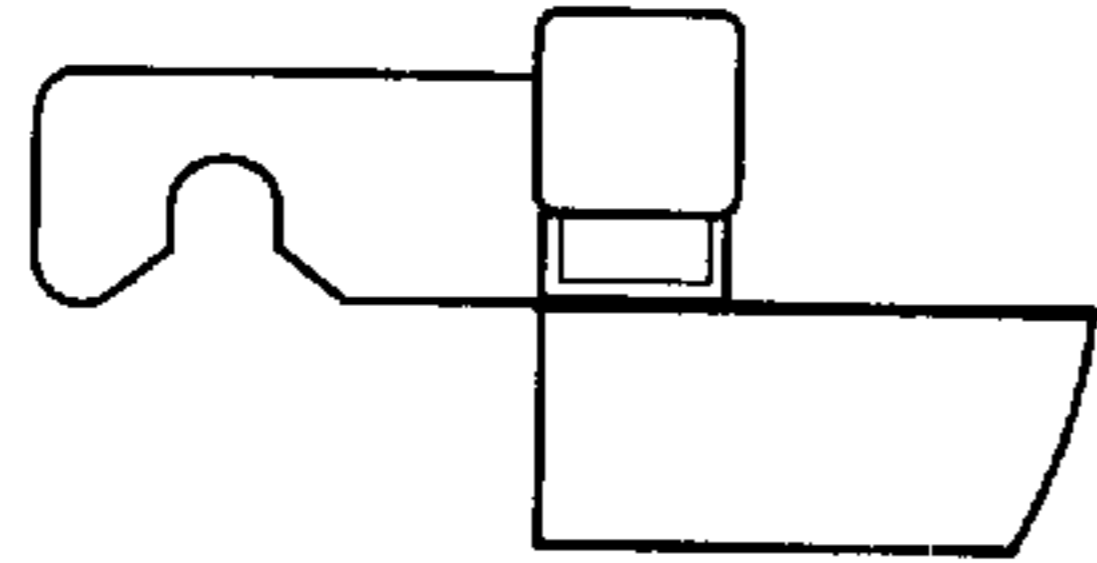


FIG. 15A

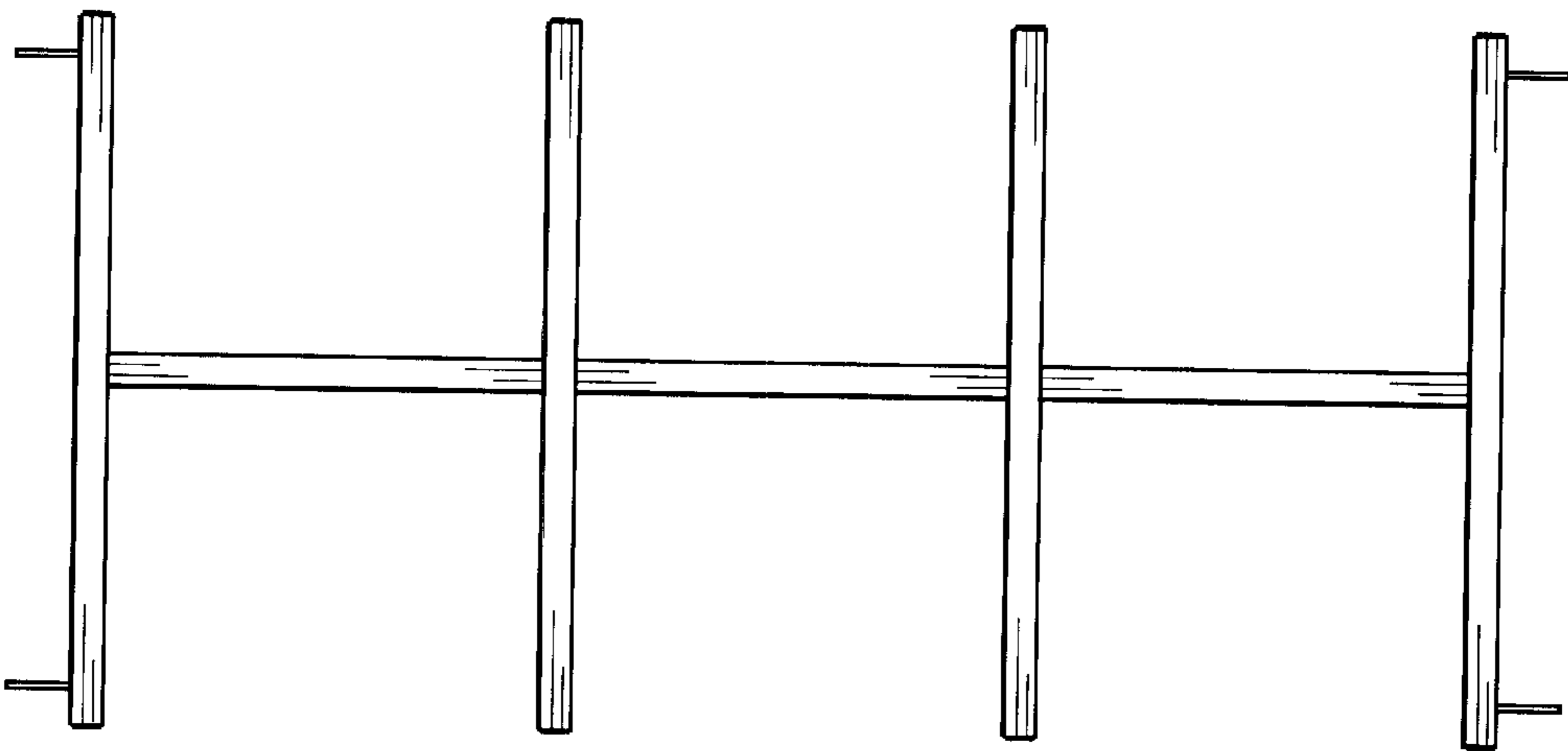


FIG. 16

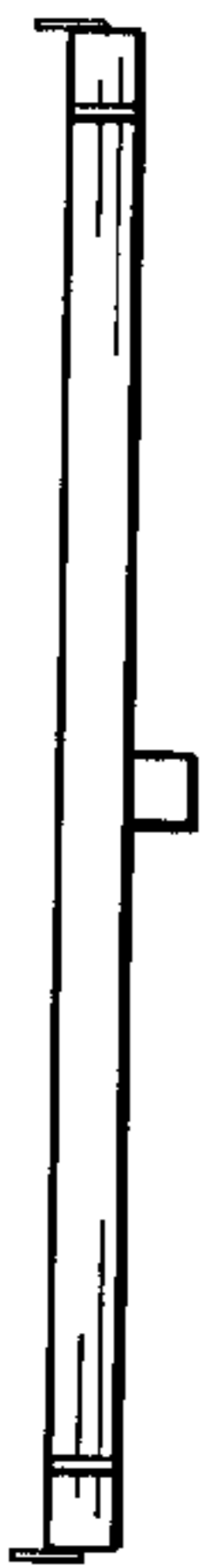


FIG. 17

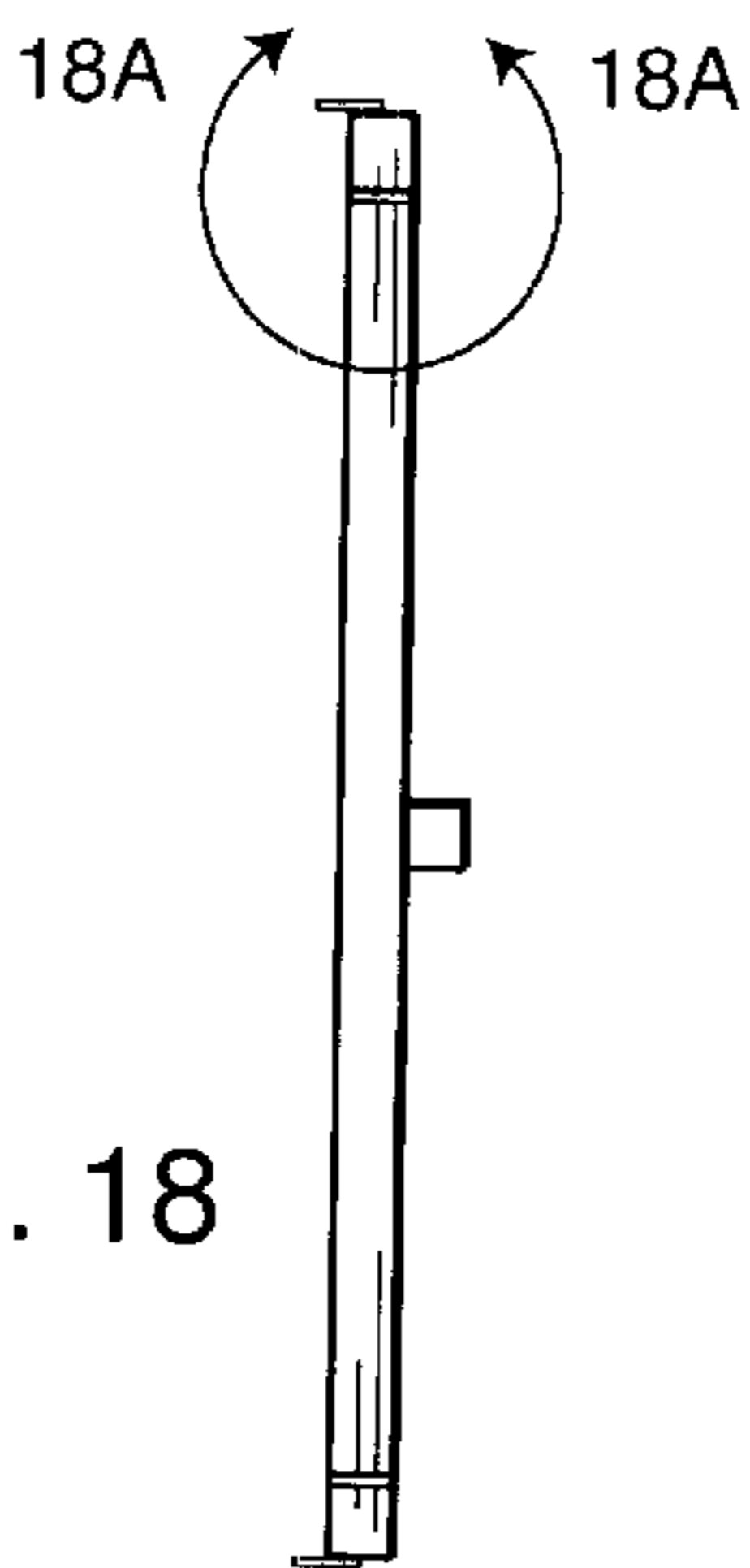


FIG. 18

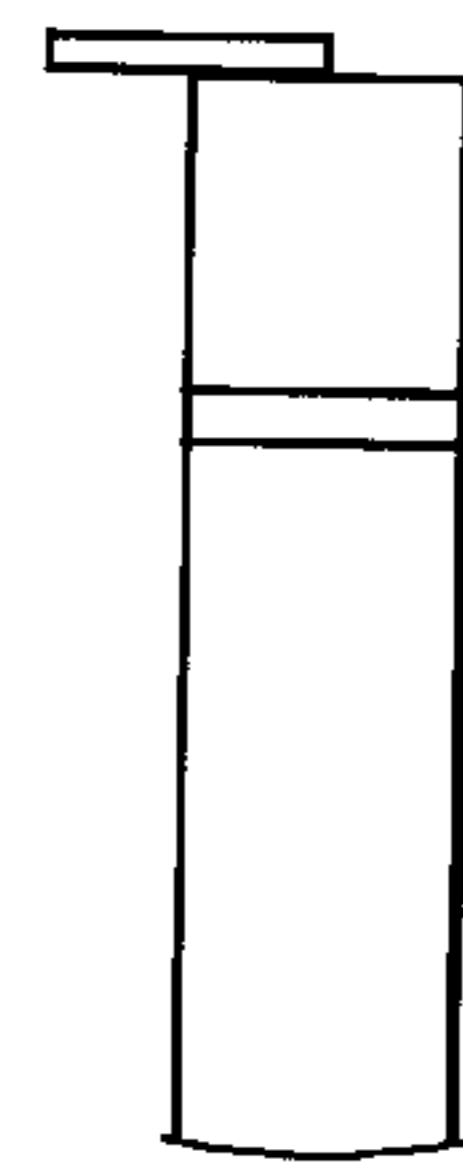


FIG. 18A

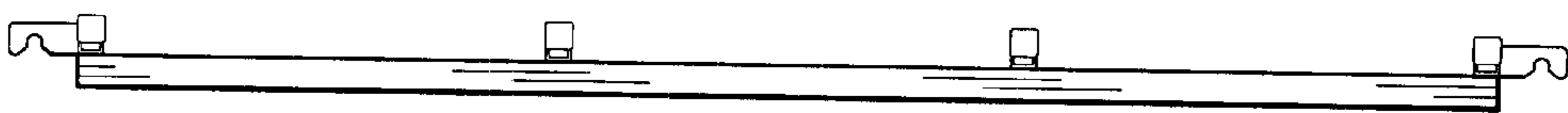


FIG. 19

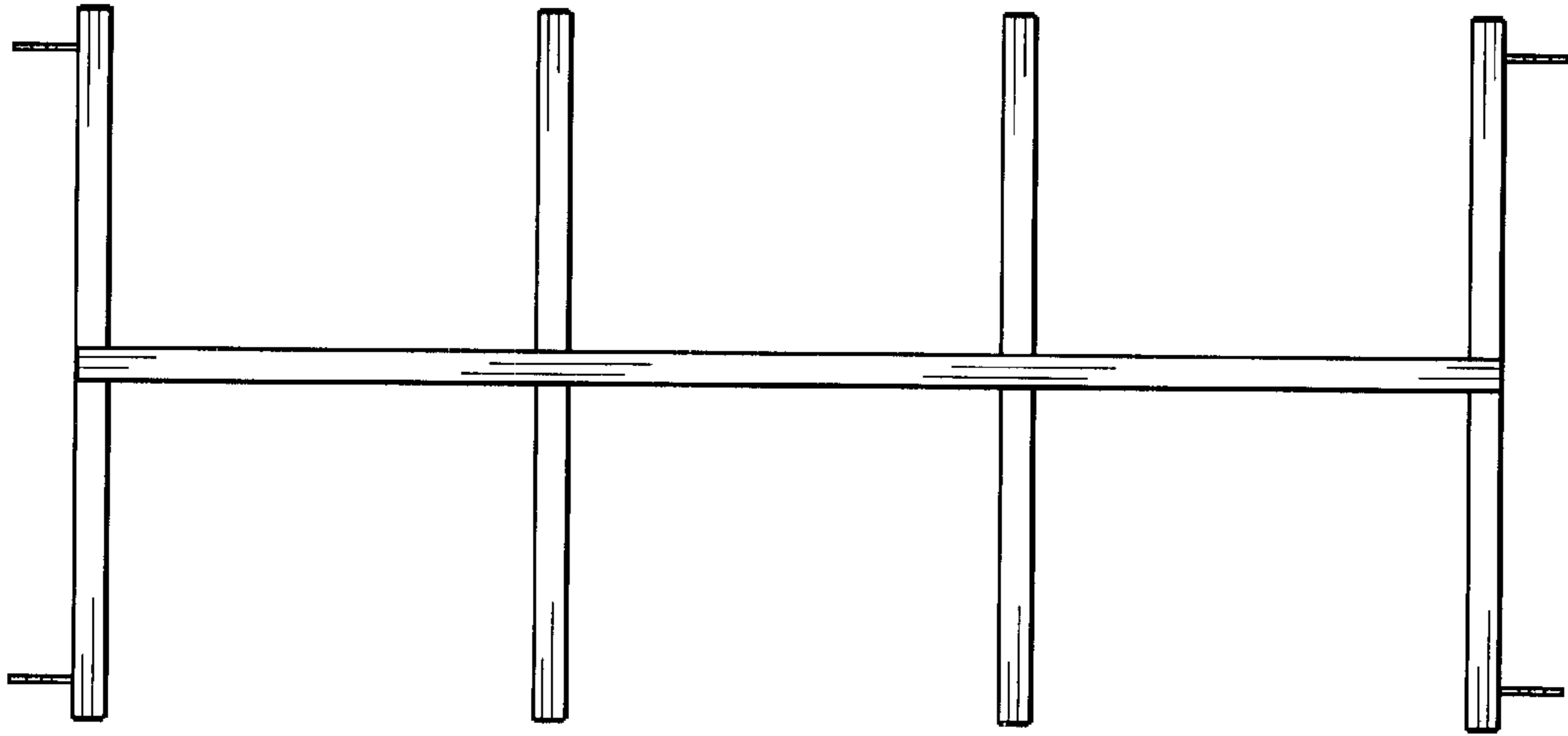


FIG. 20

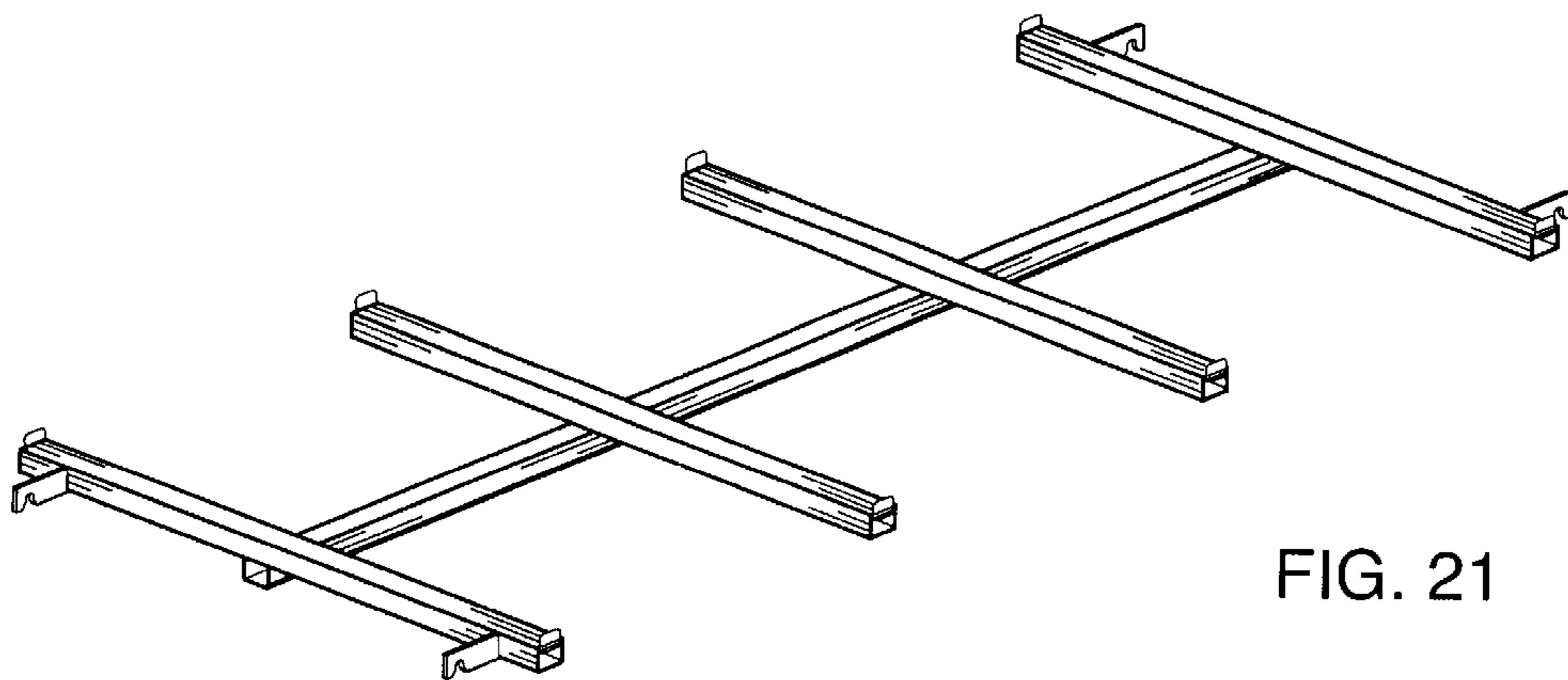


FIG. 21

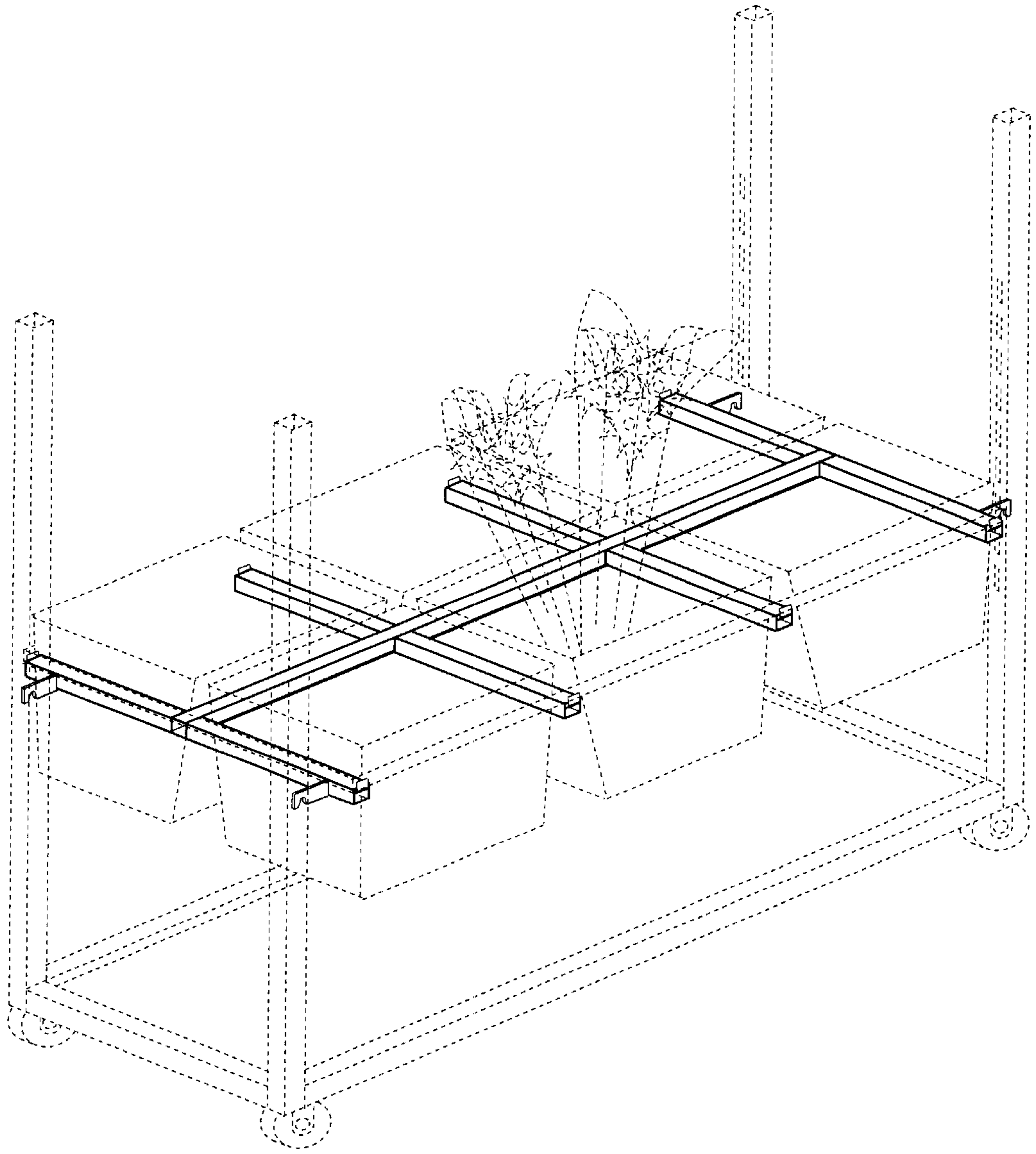


FIG. 22