



US00D465359S

(12) **United States Design Patent**  
**Kolberg**

(10) **Patent No.:** **US D465,359 S**

(45) **Date of Patent:** **\*\* Nov. 12, 2002**

(54) **TABLE LEG**

(75) Inventor: **Justus Kolberg**, Hamburg (DE)

(73) Assignee: **Renz GmbH**, Boeblingen (DE)

(\*\*) Term: **14 Years**

(21) Appl. No.: **29/149,897**

(22) Filed: **Oct. 22, 2001**

**Related U.S. Application Data**

(62) Division of application No. 29/132,191, filed on Nov. 6, 2000, now Pat. No. Des. 452,781.

(30) **Foreign Application Priority Data**

May 12, 2000 (DE) ..... 4 00 04 880

(51) **LOC (7) Cl.** ..... **06-06**

(52) **U.S. Cl.** ..... **D6/495**

(58) **Field of Search** ..... D6/480-489, 495-499;  
108/153.1, 155, 156, 161, 50.01, 50.02;  
248/188, 188.1, 188.8, 188.9, 188.7

(56) **References Cited**

**U.S. PATENT DOCUMENTS**

D260,712 S \* 9/1981 Potucek ..... D6/483

D279,633 S \* 7/1985 Bromley ..... D6/480  
D282,420 S \* 2/1986 Melland ..... D6/422  
D448,216 S \* 9/2001 Kolberg ..... D6/484  
D452,781 S \* 1/2002 Kolberg ..... D6/422

\* cited by examiner

*Primary Examiner*—Janice E. Seeger

(74) *Attorney, Agent, or Firm*—Paul Vincent

(57) **CLAIM**

The ornamental design for the table leg, as shown and described.

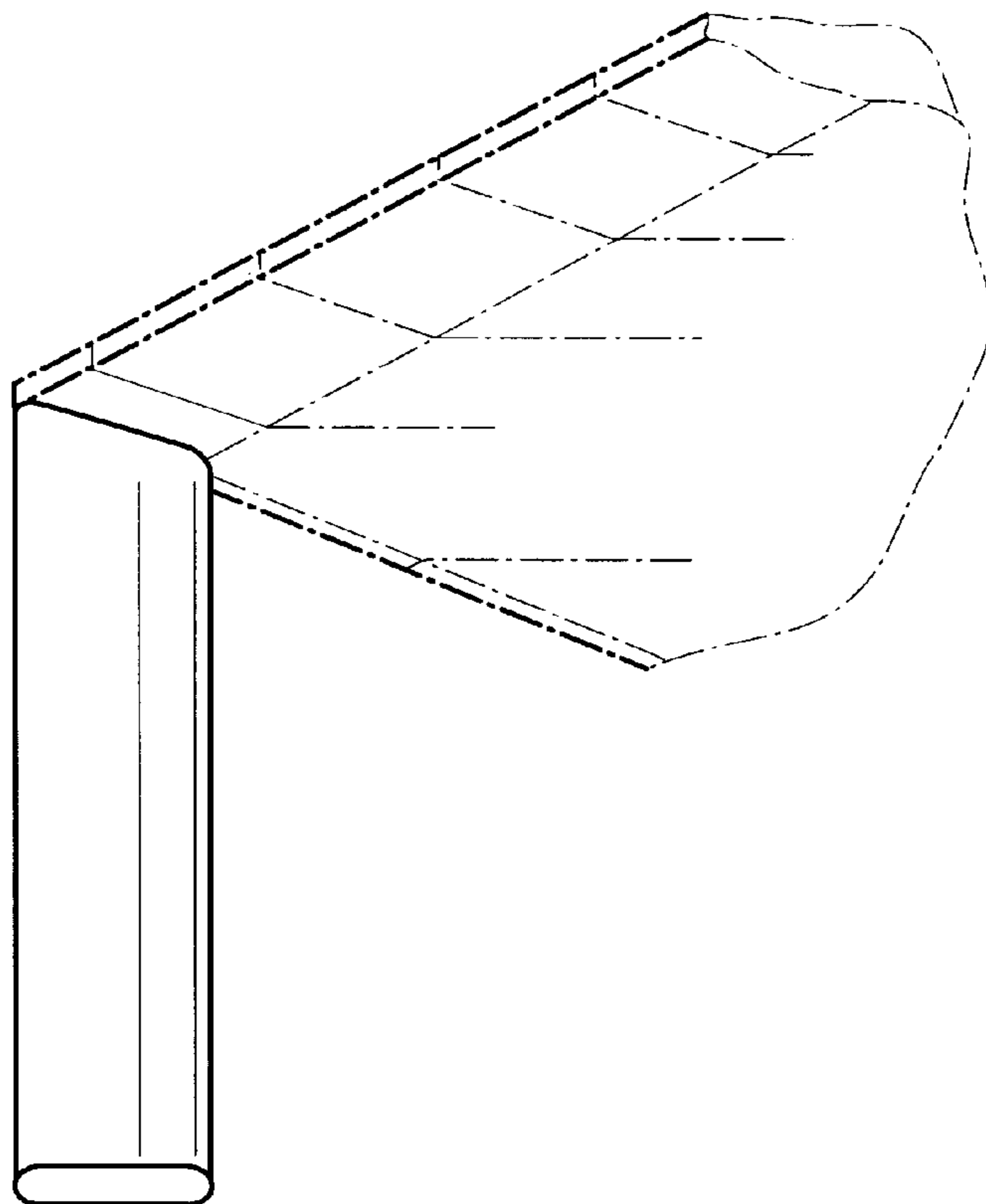
**DESCRIPTION**

FIG. 1 shows a front view of a table leg in accordance with the invention; and,

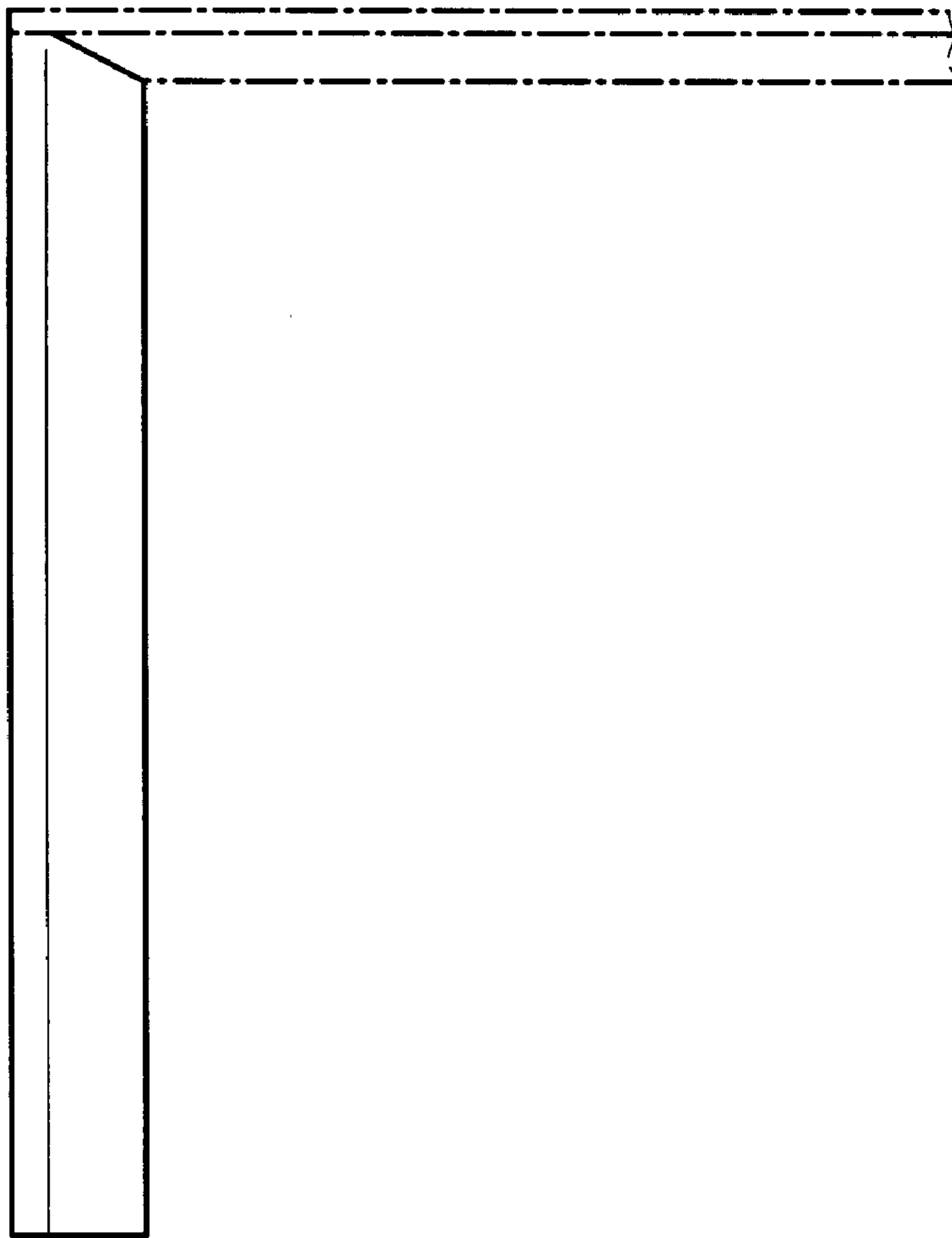
FIG. 2 shows a perspective view from below of the table leg of FIG. 1.

The broken lines are for environmental purposes only and form no part of the claimed design.

**1 Claim, 2 Drawing Sheets**



**Fig. 1**



**Fig. 2**

