



US00D465357S

(12) **United States Design Patent**
Lucht

(10) **Patent No.:** **US D465,357 S**

(45) **Date of Patent:** **** Nov. 12, 2002**

(54) **DOOR FOR A MERCHANDISE DISPLAY**

(75) Inventor: **Wayne Lucht**, Bedford Park, IL (US)

(73) Assignees: **Midwest Quality Gloves, Inc.**,
Chillicothe, MO (US); **Midway**
Displays, Inc., Bedford Park, IL (US)

(**) Term: **14 Years**

(21) Appl. No.: **29/139,608**

(22) Filed: **Apr. 2, 2001**

Related U.S. Application Data

(63) Continuation-in-part of application No. 29/135,116, filed on
Jan. 5, 2001, now Pat. No. Des. 446,055.

(51) **LOC (7) Cl.** **06-06**

(52) **U.S. Cl.** **D6/492**

(58) **Field of Search** D6/449, 455, 457,
D6/466, 470, 471, 472, 475, 491, 510,
509; 312/107, 114, 117, 138.1, 204, 234

(56) **References Cited**

U.S. PATENT DOCUMENTS

3,937,537	A	*	2/1976	Dietterich	312/204
D276,775	S	*	12/1984	Antti et al.	D6/471
D278,193	S	*	4/1985	Boxall	D6/471
D279,748	S	*	7/1985	Kellogg	D6/517
D296,634	S	*	7/1988	Suttles	D6/492
D309,224	S	*	7/1990	Rabin	D6/408
D341,962	S	*	12/1993	Bovermann et al.	D6/492
5,553,724	A	*	9/1996	Moher et al.	211/70.7
D403,535	S	*	1/1999	Wilbert	D6/470
5,860,537	A	*	1/1999	Loew	312/138.1
D446,055	S	*	8/2001	Lucht	D6/492

* cited by examiner

Primary Examiner—Cathron C. Brooks

(74) *Attorney, Agent, or Firm*—Leydig, Voit & Mayer, Ltd.

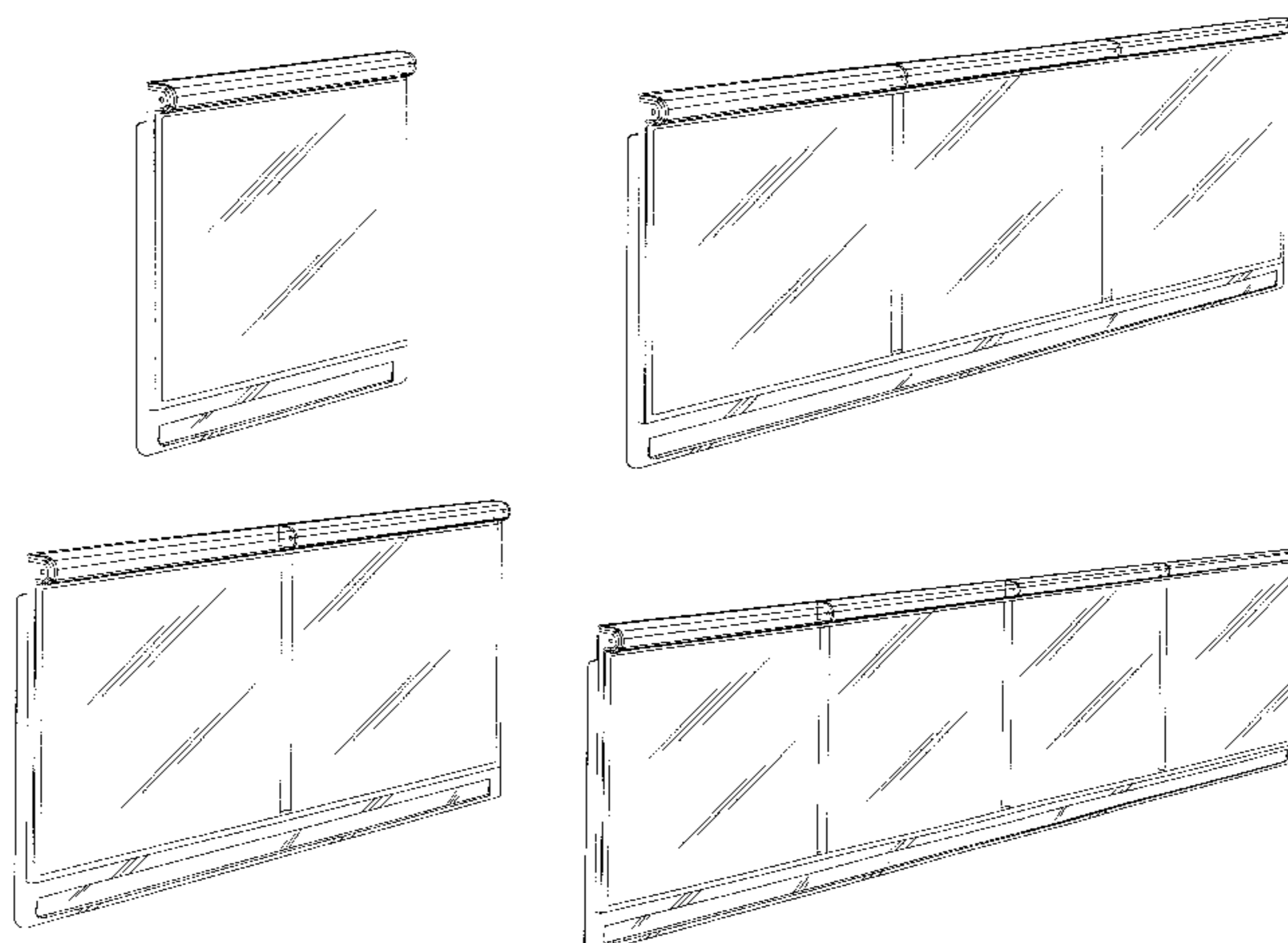
(57) **CLAIM**

The ornamental design for a door for a merchandise display,
as shown and described.

DESCRIPTION

FIG. 1 is a right front perspective view of a door for a merchandise display showing my new design;
 FIG. 2 is a left rear perspective view thereof;
 FIG. 3 is a front elevational view thereof;
 FIG. 4 is a right end view;
 FIG. 5 is a left end view;
 FIG. 6 is a top end view;
 FIG. 7 is a bottom end view;
 FIG. 8 is a rear elevational view thereof;
 FIG. 9 is a right front perspective view of an alternative door for a merchandise display showing my new design;
 FIG. 10 is a left rear perspective view thereof;
 FIG. 11 is a front elevational view thereof;
 FIG. 12 is a right end view;
 FIG. 13 is a left end view;
 FIG. 14 is a top end view;
 FIG. 15 is a bottom end view;
 FIG. 16 is a rear elevational view thereof;
 FIG. 17 is a right front perspective view of another alternative door for a merchandise display showing my new design;
 FIG. 18 is a left rear perspective view thereof;
 FIG. 19 is a front elevational view thereof;
 FIG. 20 is a right end view;
 FIG. 21 is a left end view;
 FIG. 22 is a top end view;
 FIG. 23 is a bottom end view;
 FIG. 24 is a rear elevational view thereof;
 FIG. 25 is a right front perspective view of yet another alternative door for a merchandise display showing my new design;
 FIG. 26 is a left rear perspective view thereof;
 FIG. 27 is a front elevational view thereof;
 FIG. 28 is a right end view;
 FIG. 29 is a left end view;
 FIG. 30 is a top end view;
 FIG. 31 is a bottom end view; and,
 FIG. 32 is a rear elevational view thereof.

1 Claim, 12 Drawing Sheets



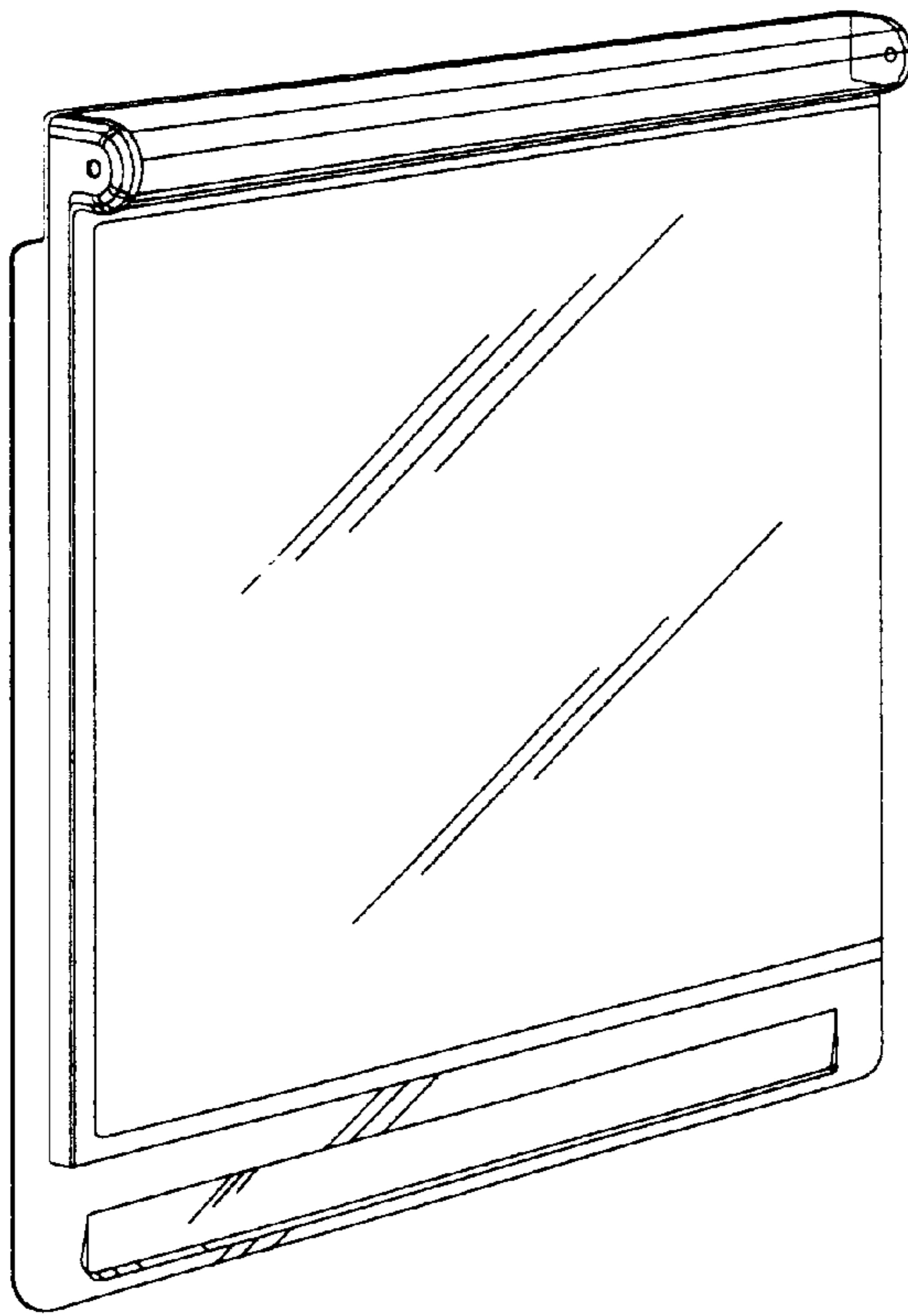


FIG. 1

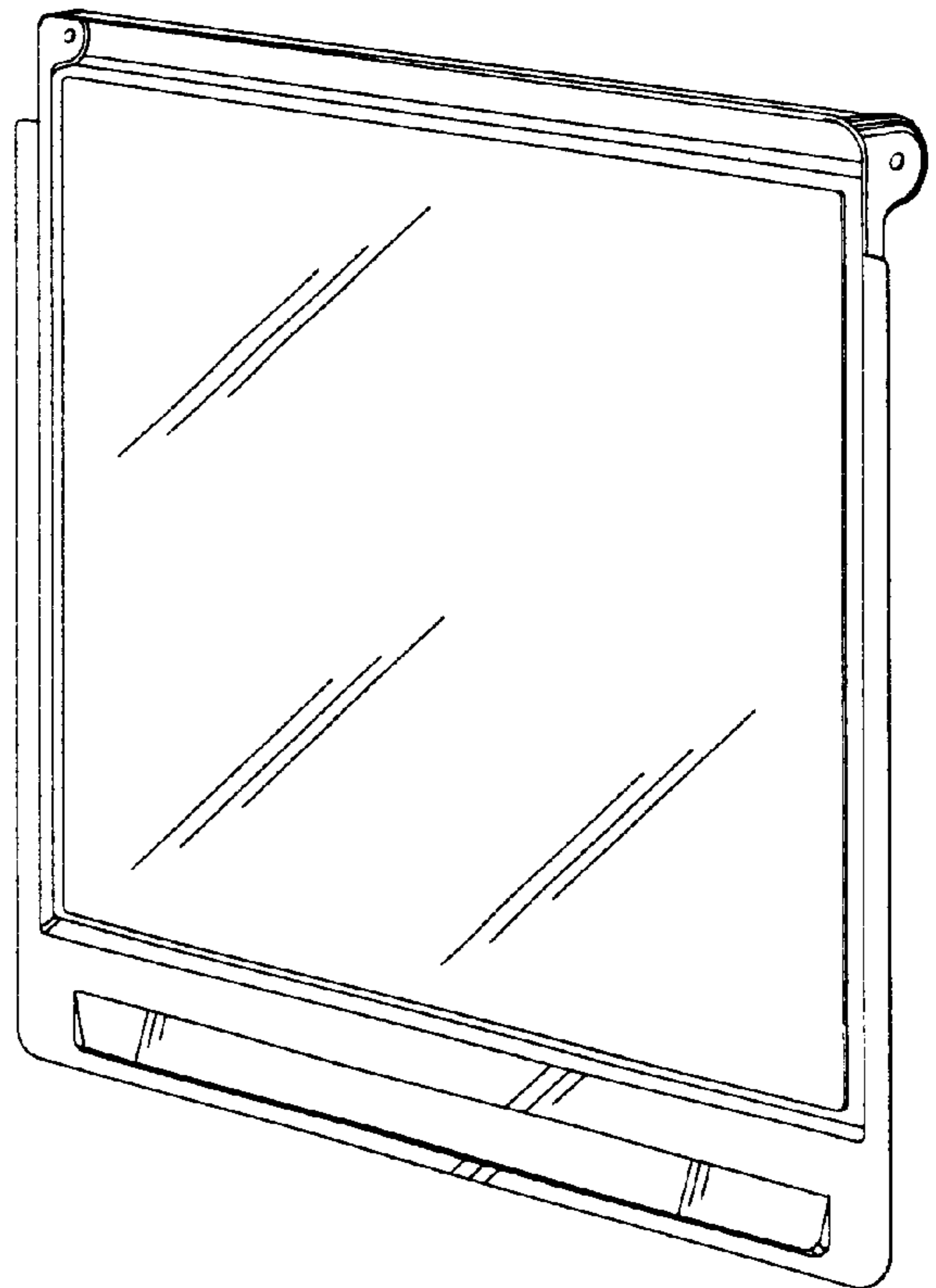


FIG. 2



FIG. 6

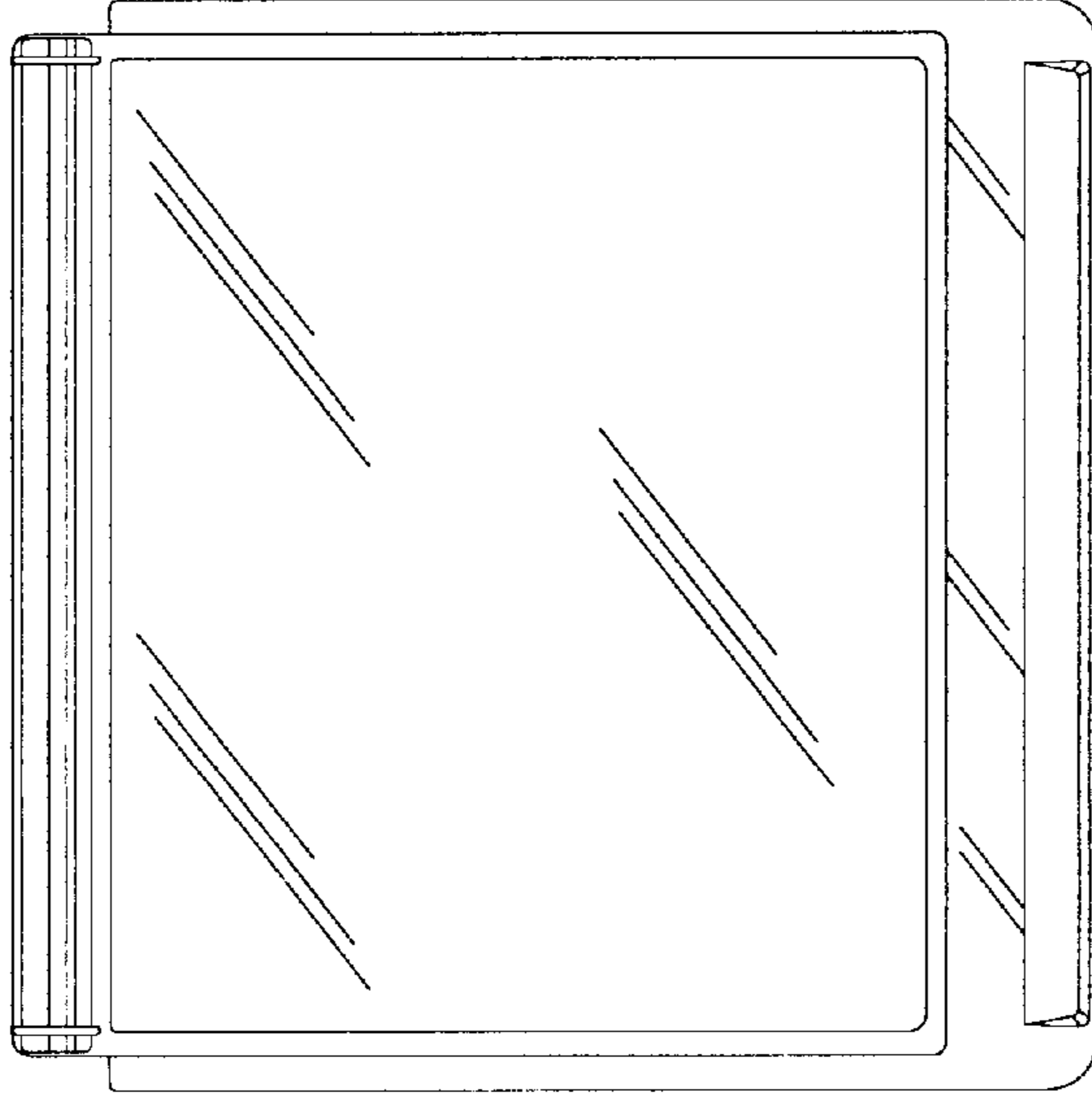


FIG. 3

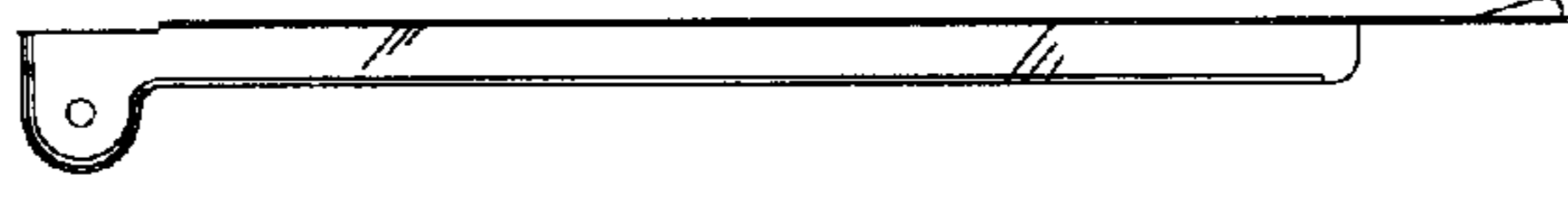


FIG. 4



FIG. 5

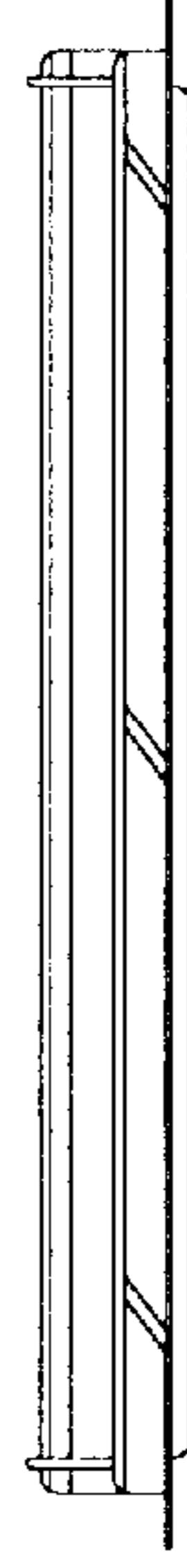


FIG. 7

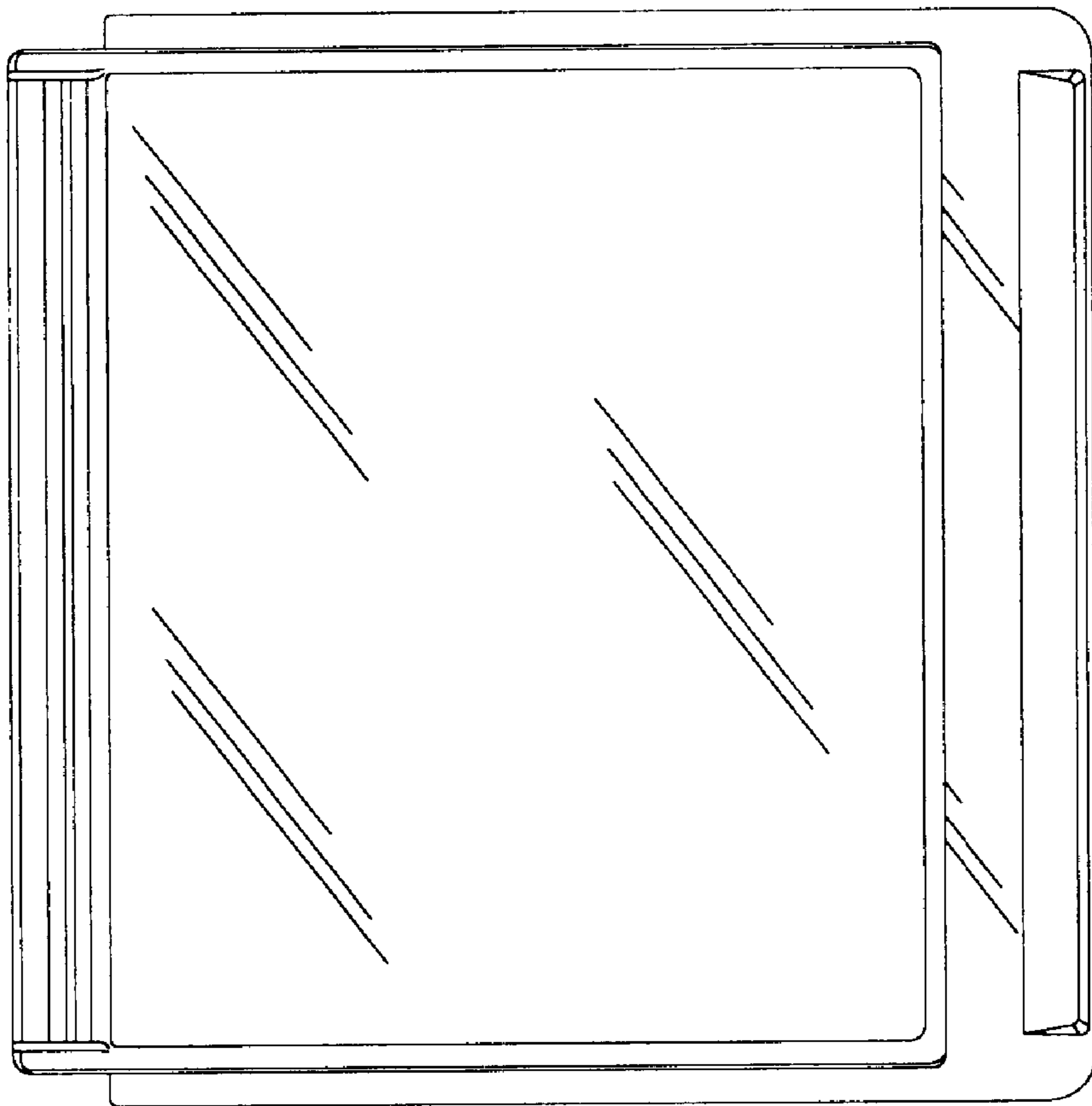


FIG. 8

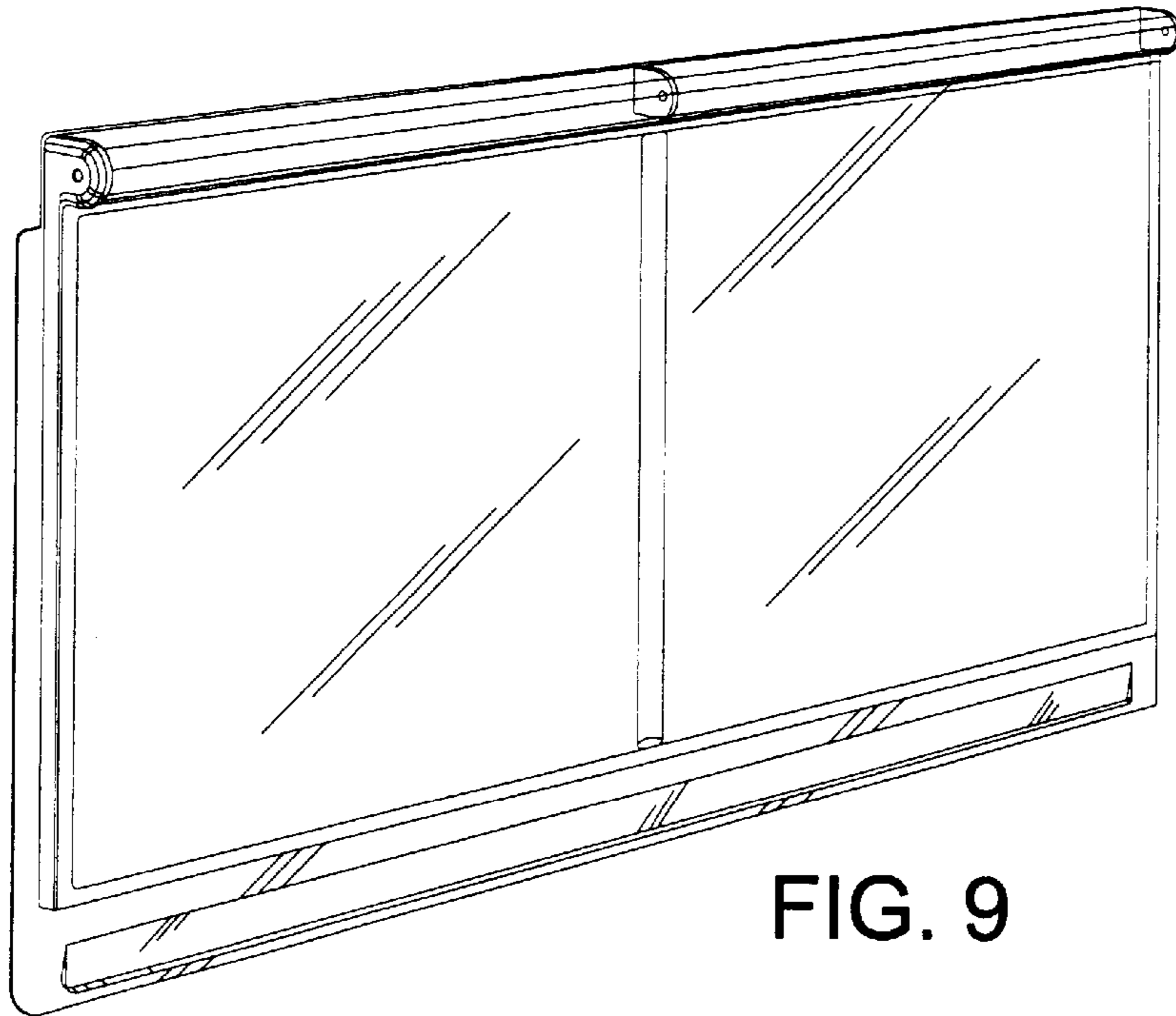


FIG. 9

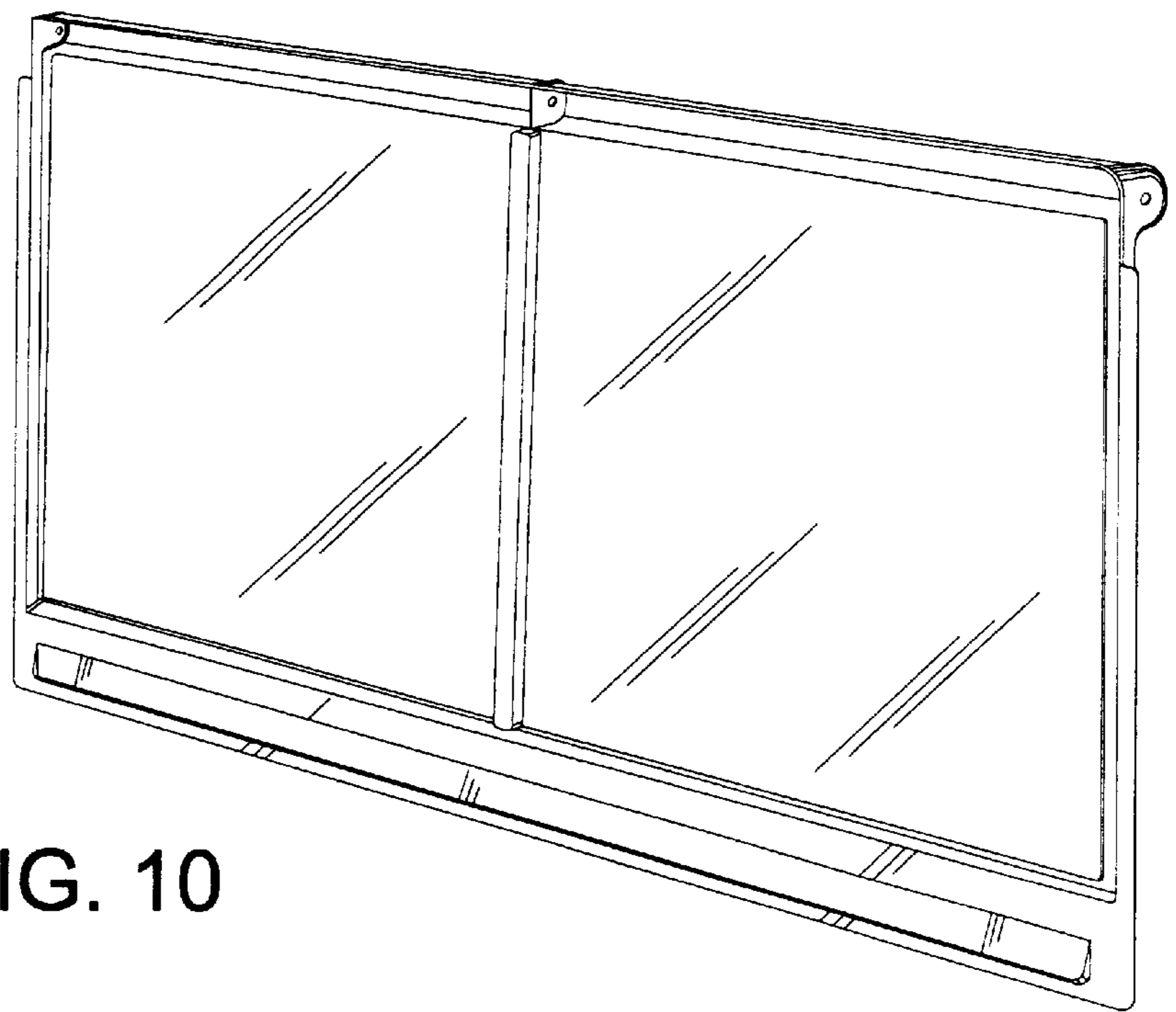


FIG. 10

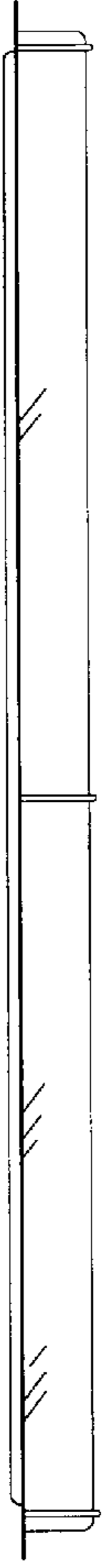


FIG. 14

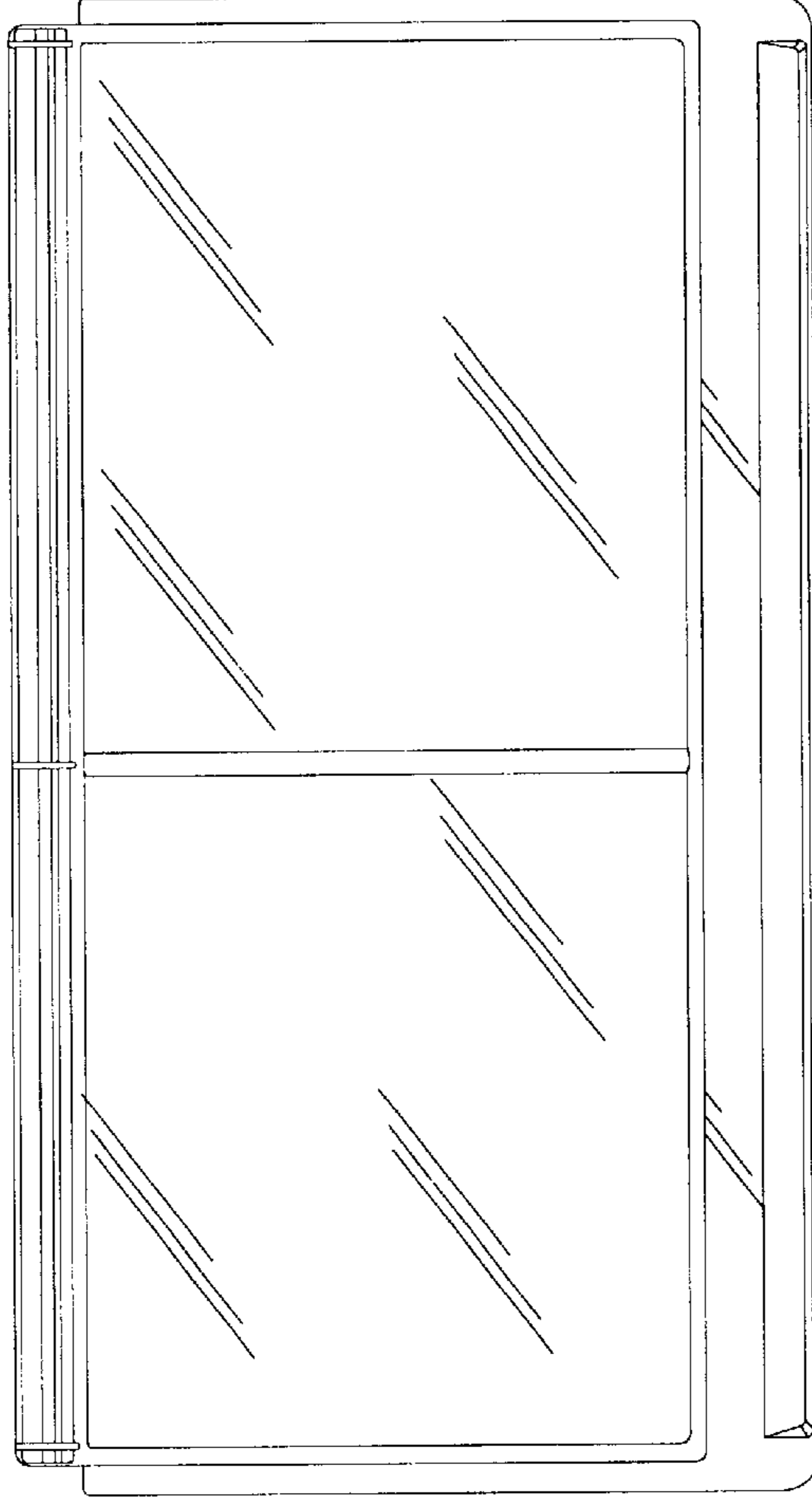


FIG. 11

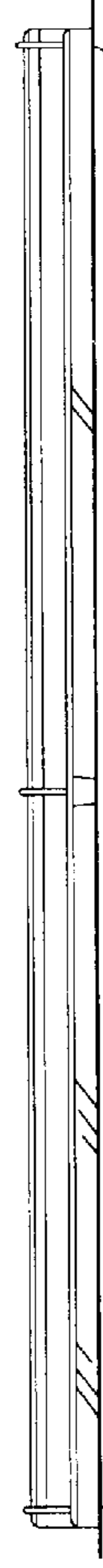


FIG. 15

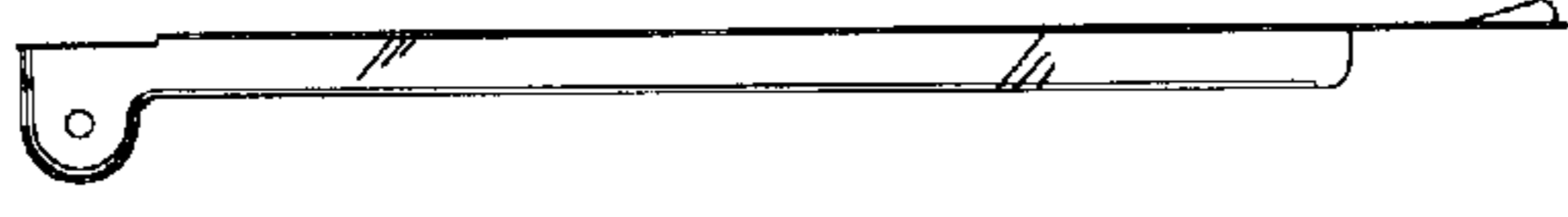


FIG. 12

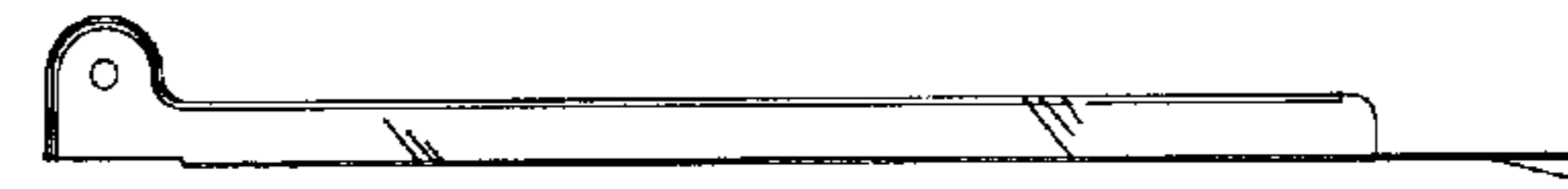


FIG. 13

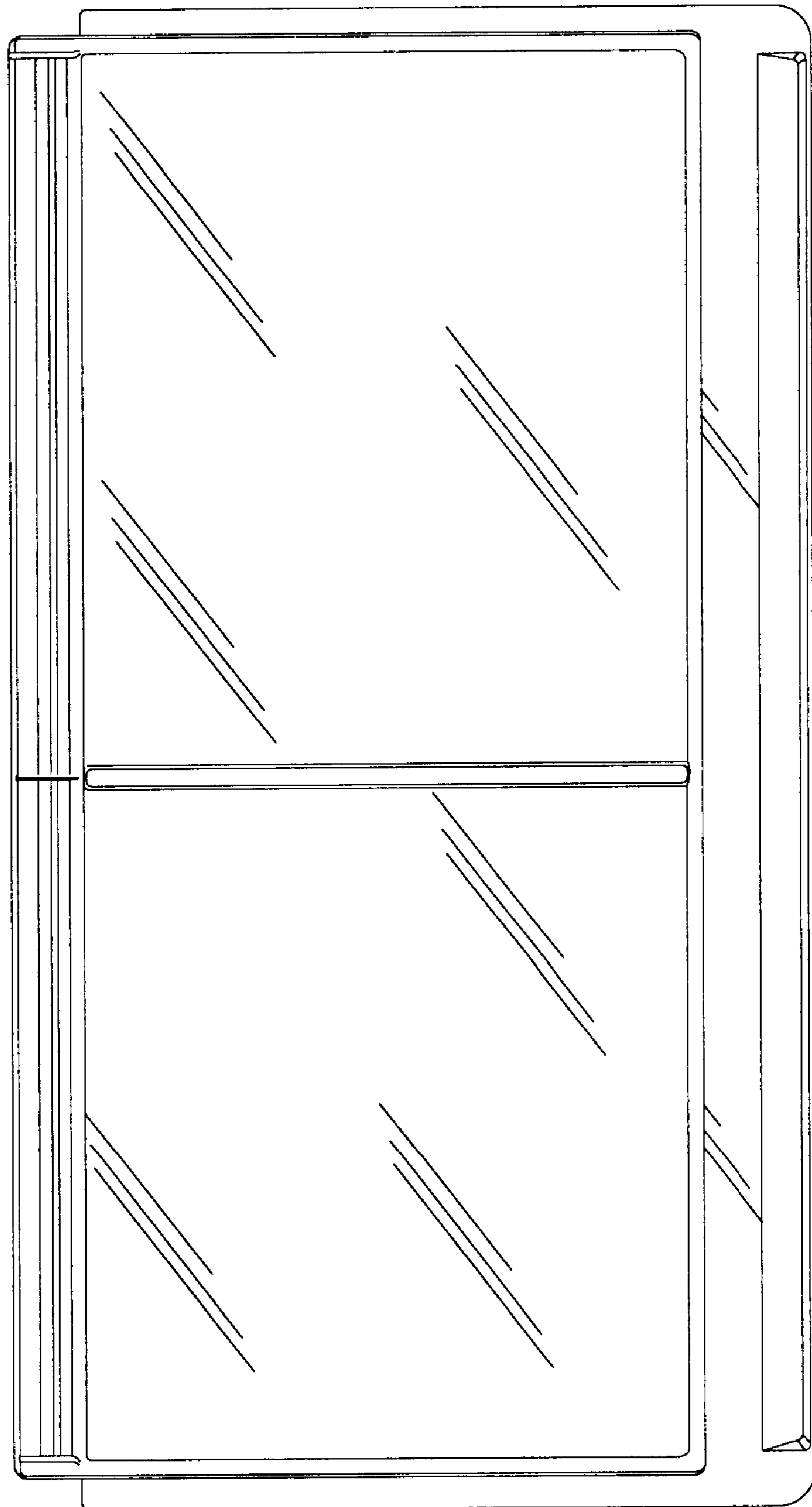


FIG. 16

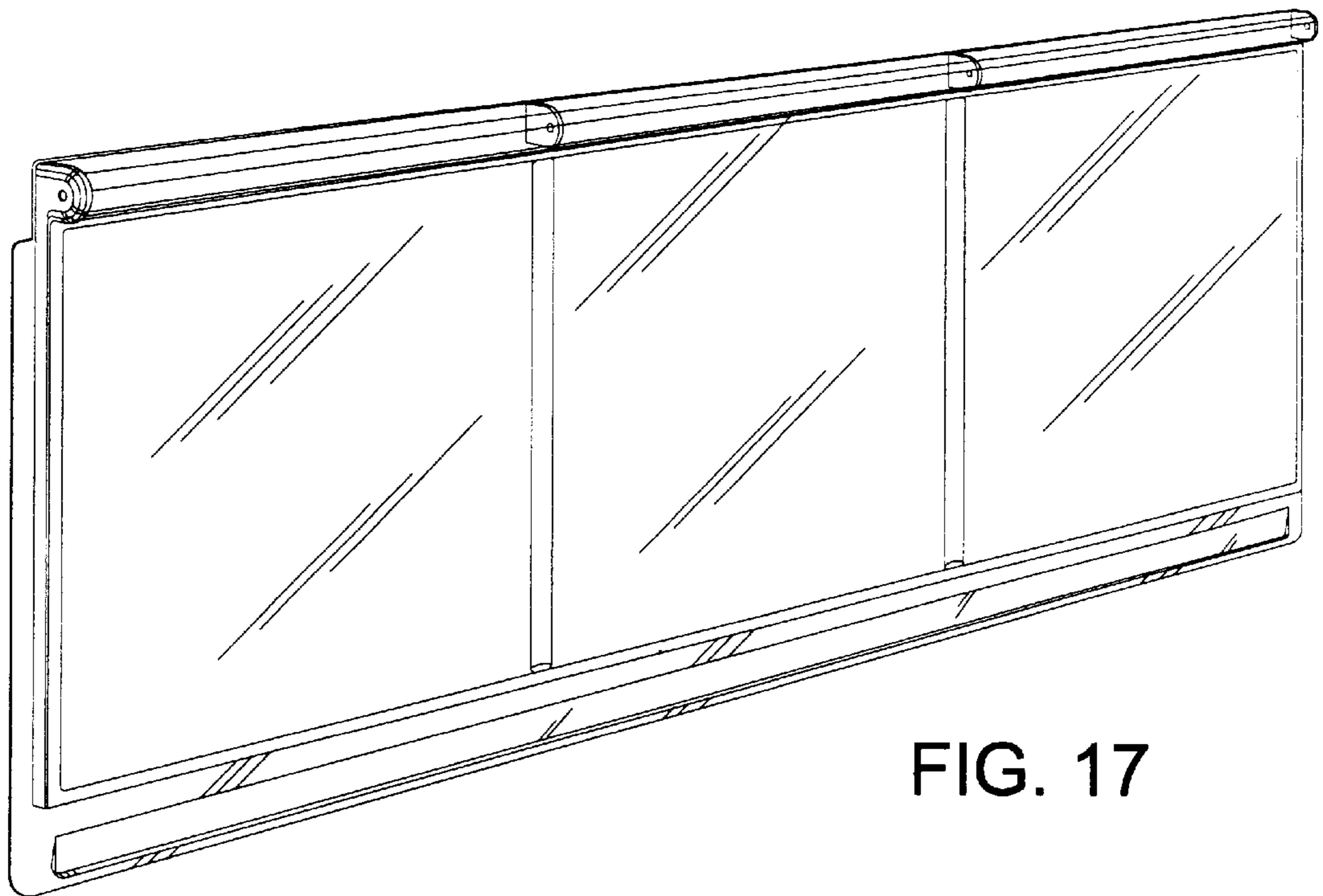


FIG. 17

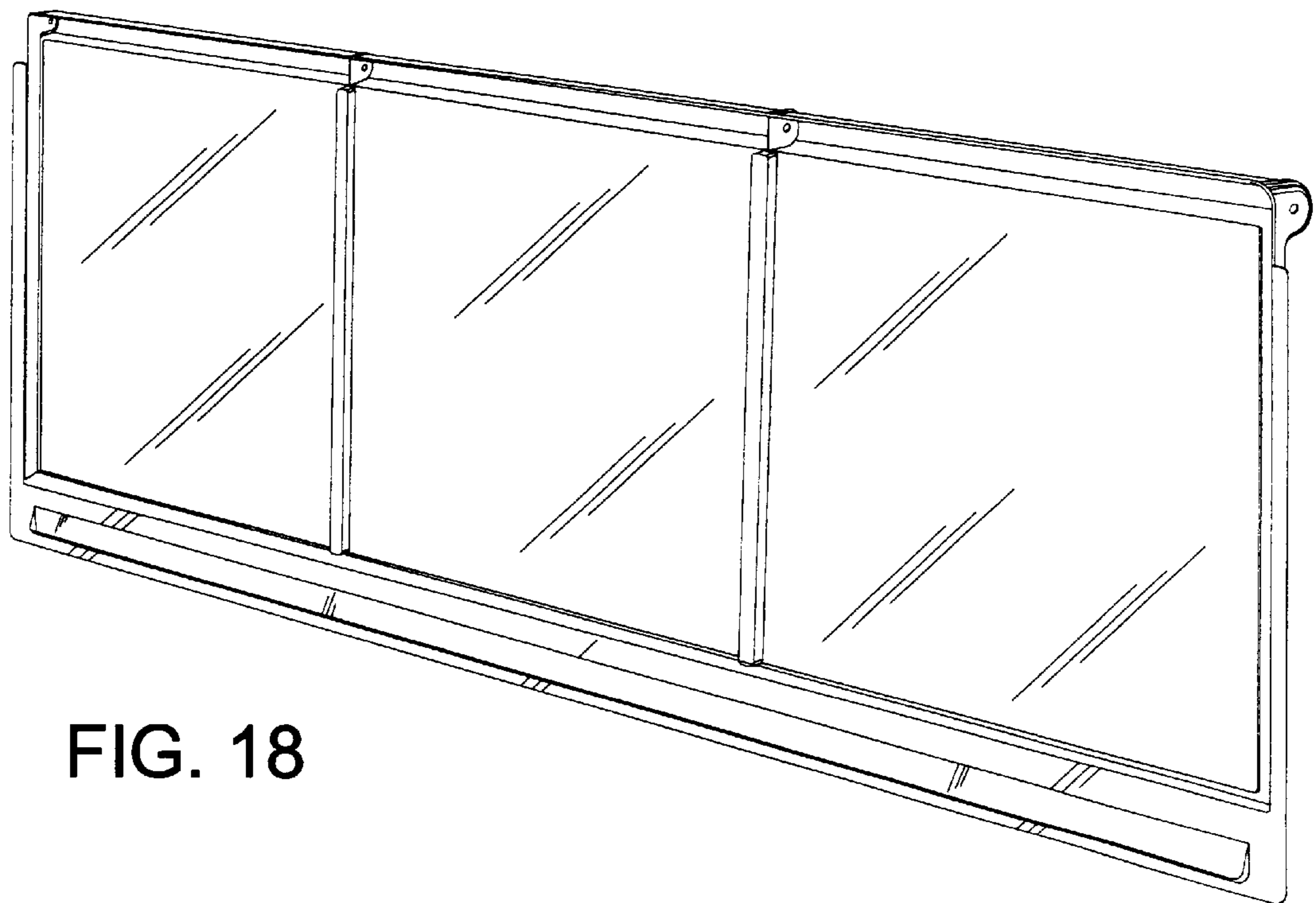


FIG. 18

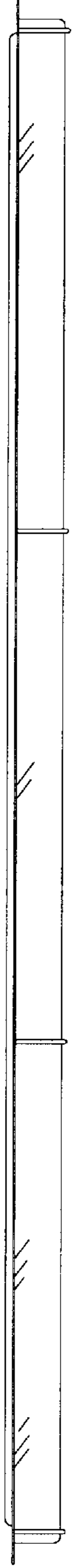


FIG. 22

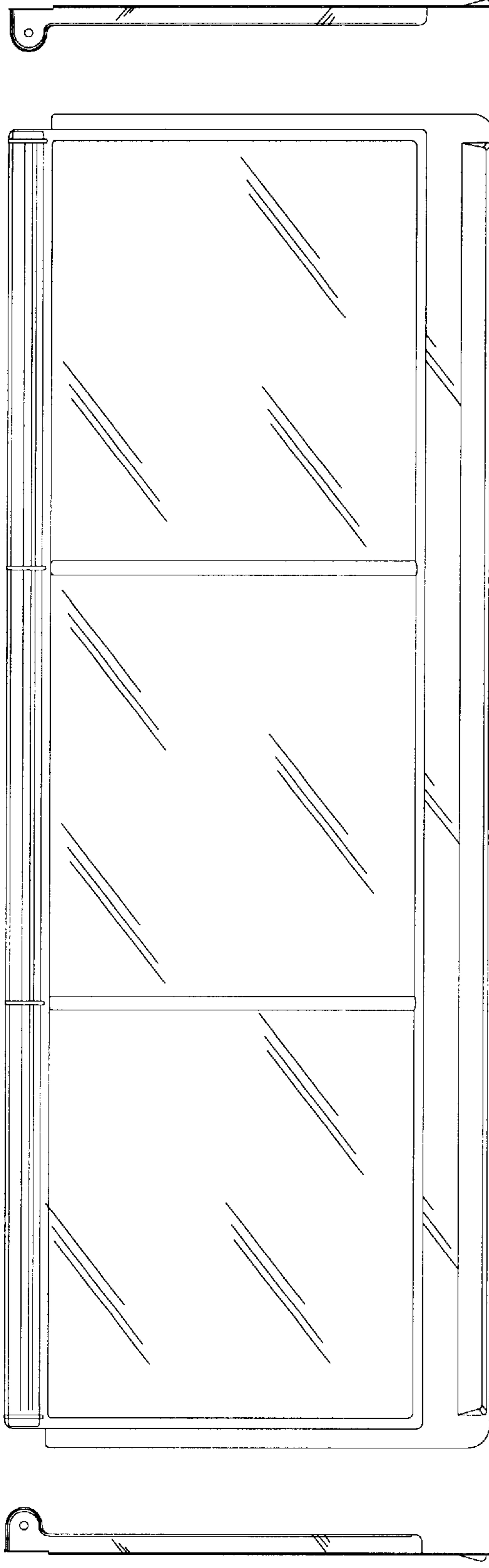


FIG. 21

FIG. 19

FIG. 20

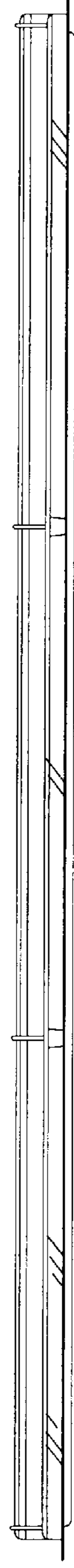


FIG. 23

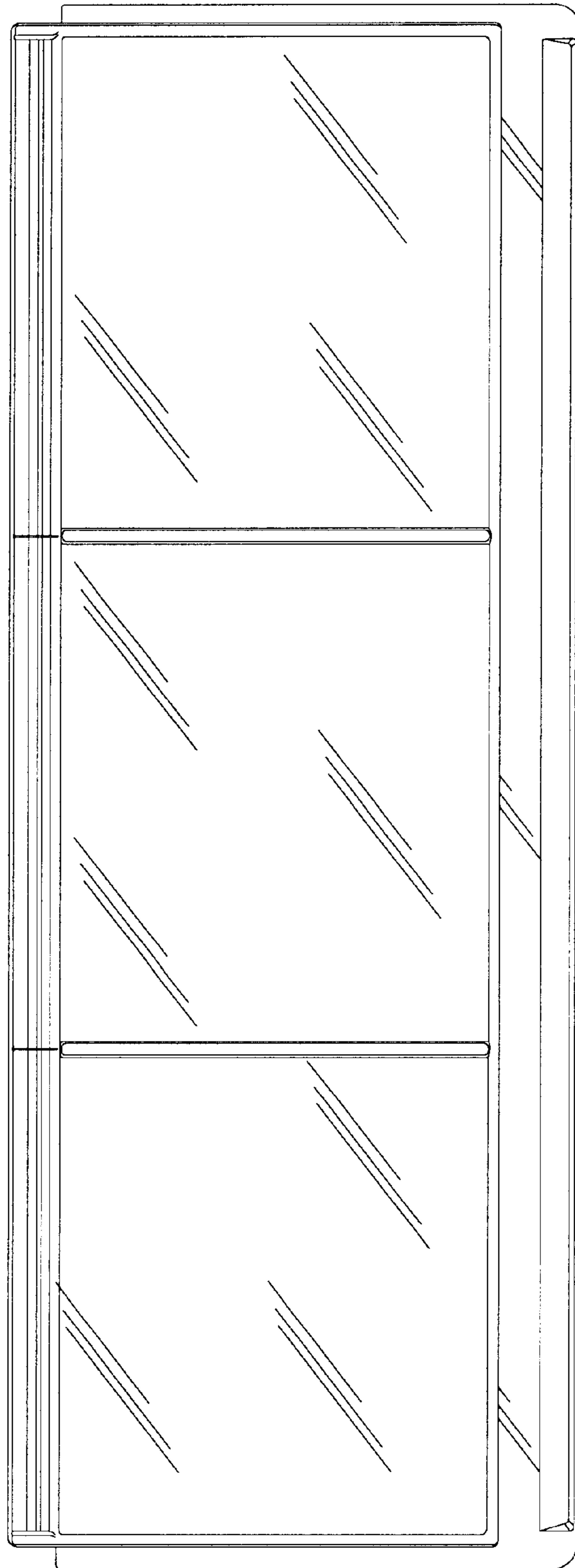


FIG. 24

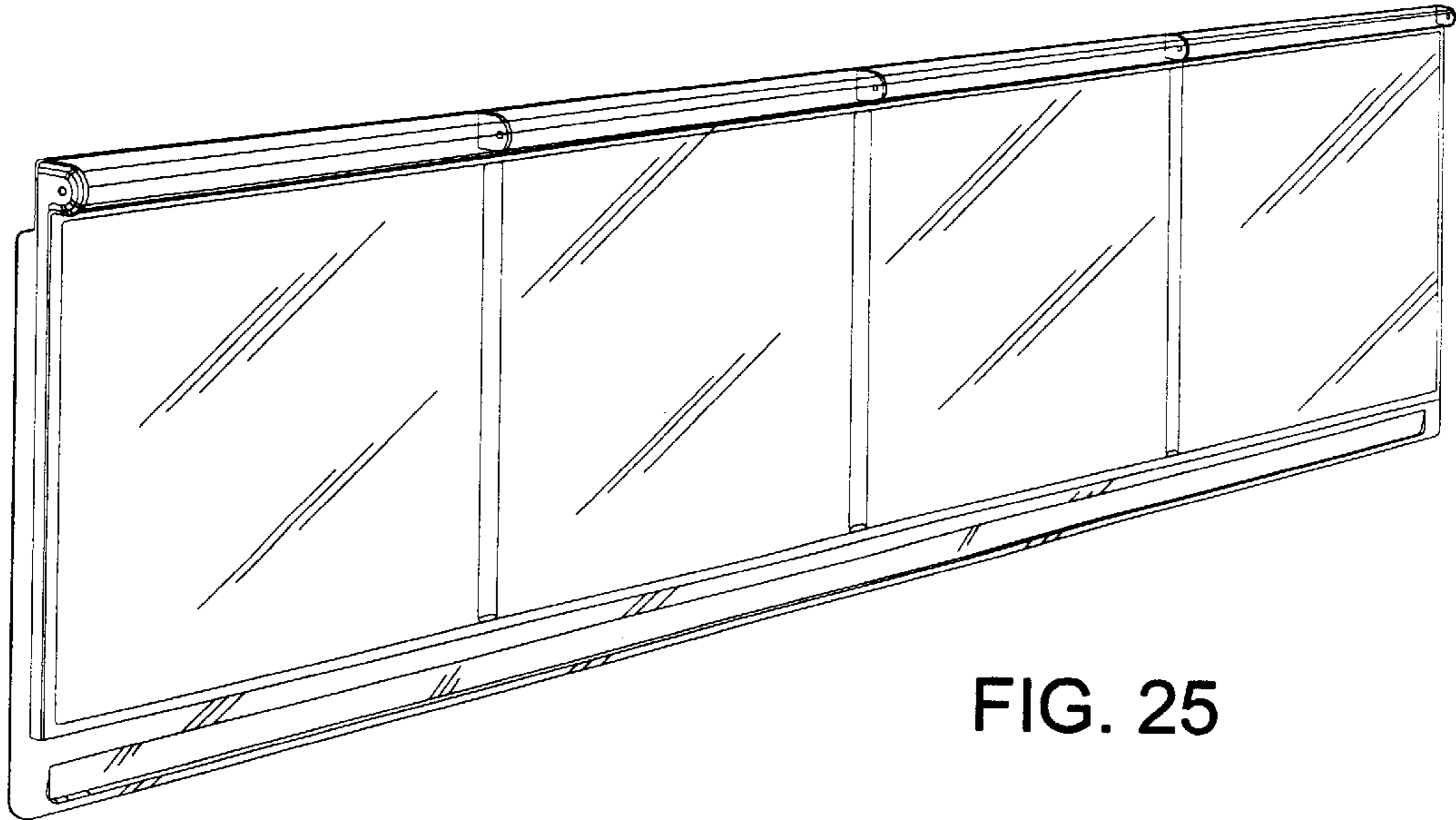


FIG. 25

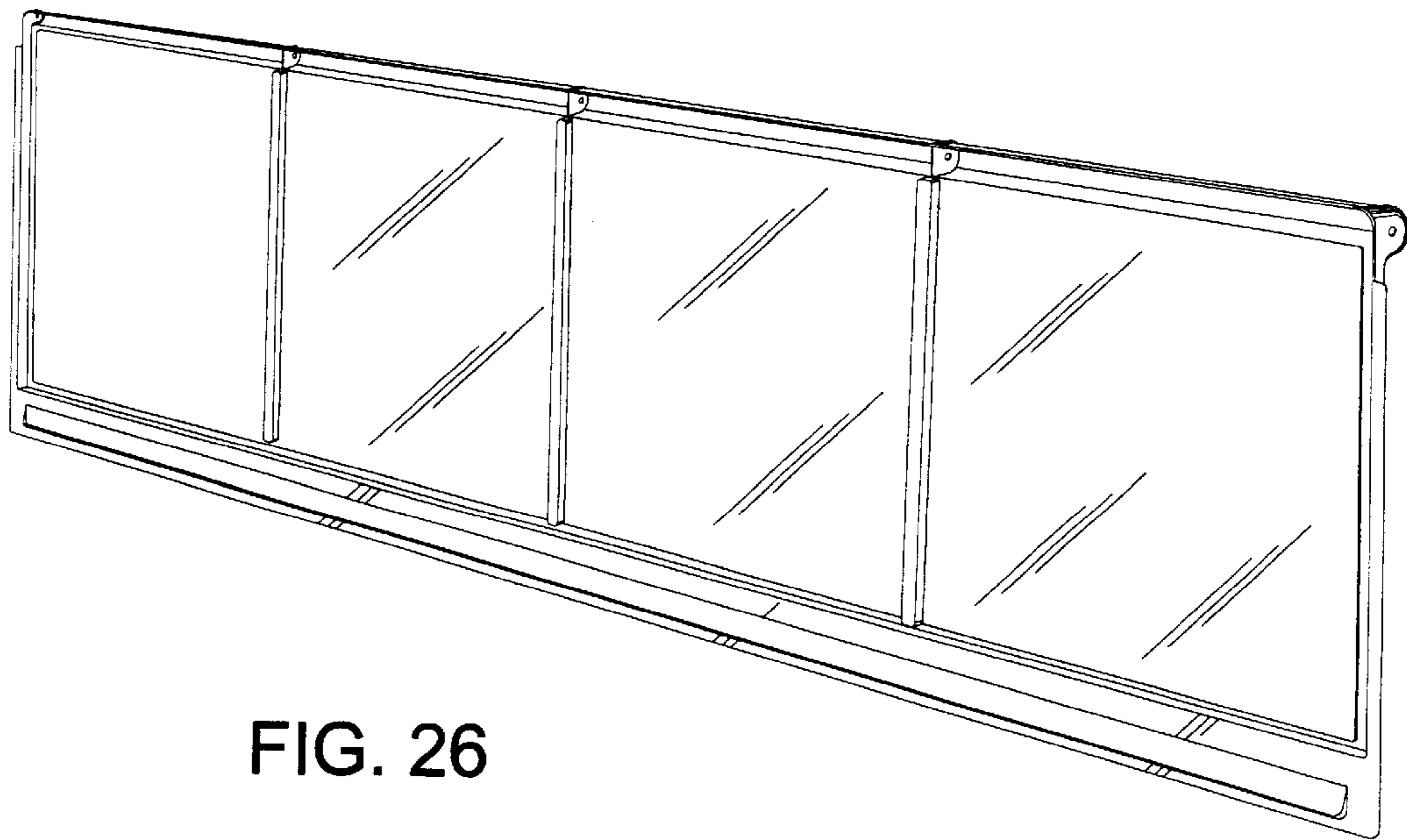


FIG. 26

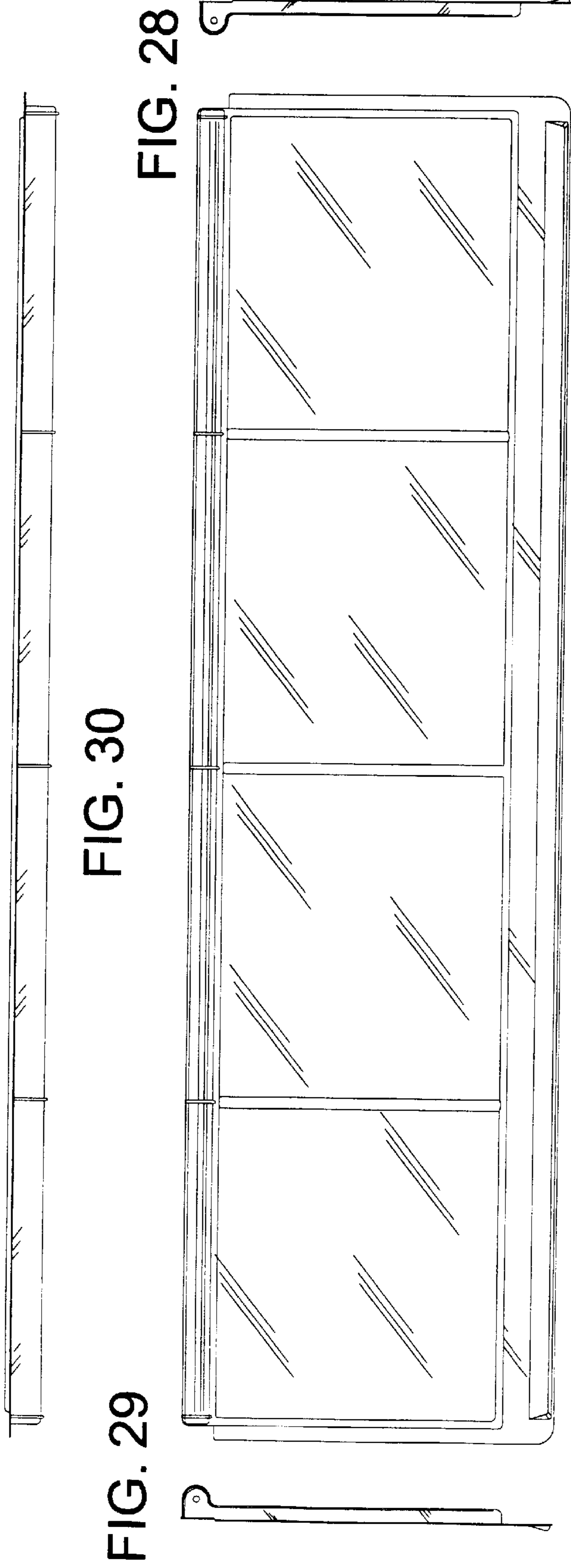


FIG. 30

FIG. 28

FIG. 29

FIG. 27

FIG. 31

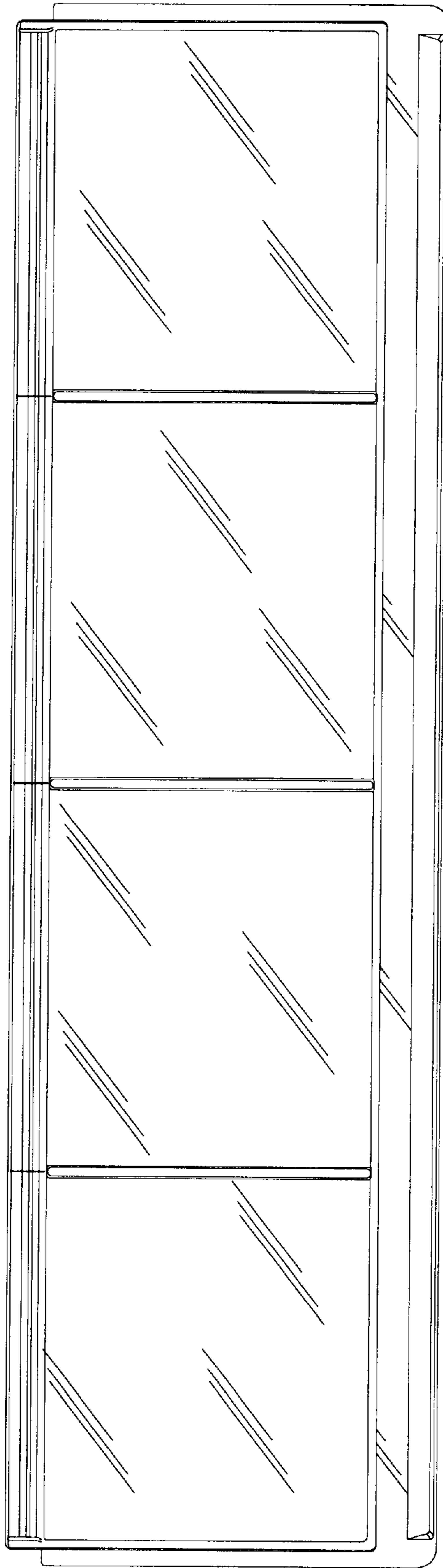


FIG. 32