



US00D465355S

(12) **United States Design Patent**
Luong

(10) **Patent No.:** **US D465,355 S**

(45) **Date of Patent:** **** Nov. 12, 2002**

(54) **ENTERTAINMENT CENTER**

D301,093 S * 5/1989 Oto D6/397
D458,053 S * 6/2002 Luong D6/477

(75) **Inventor:** **Phuoc H. Luong**, Fountain Valley, CA (US)

* cited by examiner

(73) **Assignee:** **Elite Manufacturing Corp.**, Santa FF Springs, CA (US)

Primary Examiner—Cathron C. Brooks
(74) *Attorney, Agent, or Firm*—George W. Finch

(**) **Term:** **14 Years**

(57) **CLAIM**

(21) **Appl. No.:** **29/145,059**

The ornamental design for an entertainment center, as shown.

(22) **Filed:** **Jul. 13, 2001**

DESCRIPTION

(51) **LOC (7) Cl.** **06-04**

(52) **U.S. Cl.** **D6/477; D6/630**

(58) **Field of Search** D6/630, 436, 449, D6/474, 477, 478, 479, 470; D14/126, 133, 239; 211/41.14, 42, 43, 133.1, 205; 312/7.1, 7.2, 9.1, 111, 249.6, 249.8, 249.13

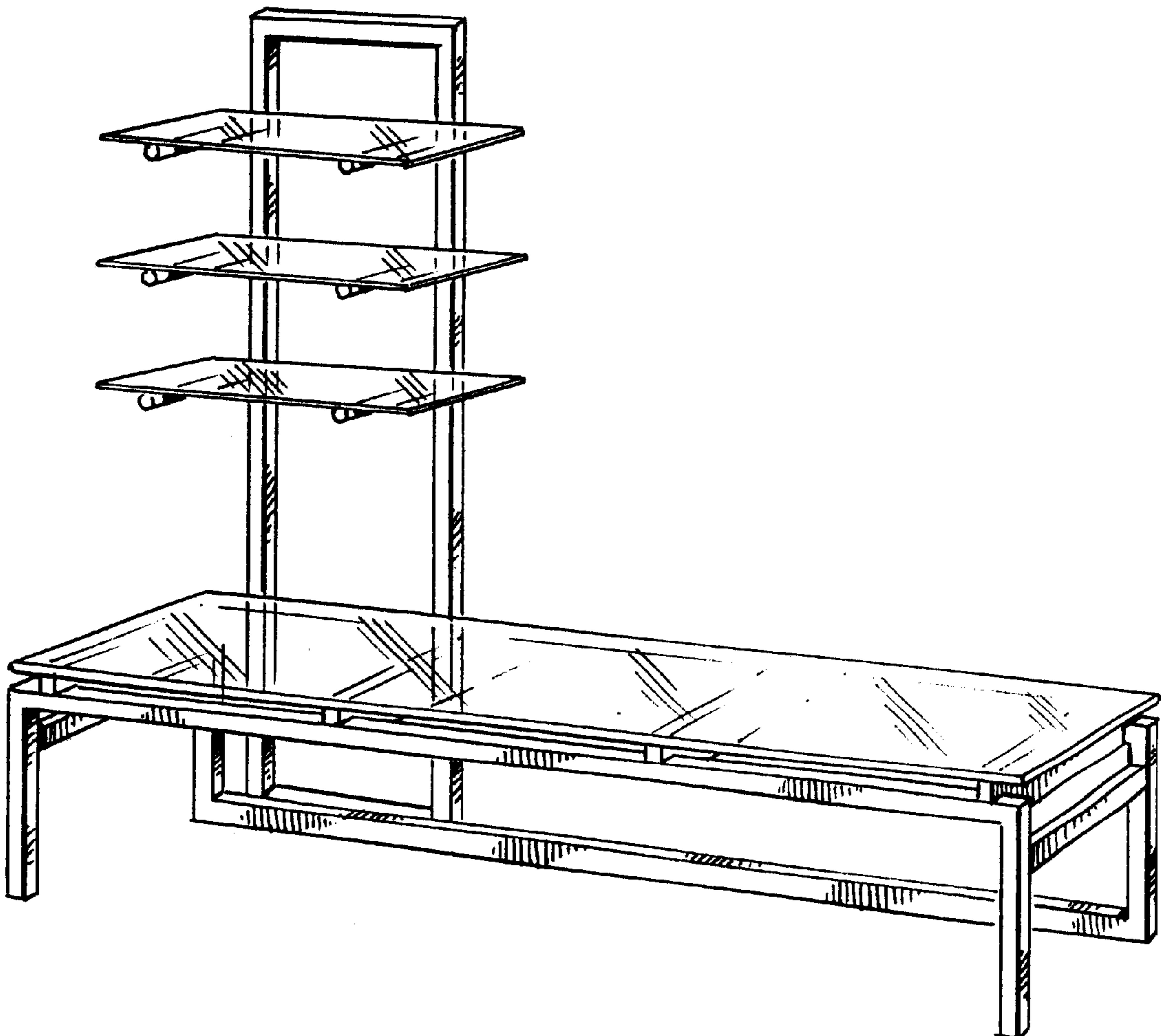
FIG. 1 is a perspective view showing the front side, left side, and top of the ornamental design of the entertainment center; FIG. 2 is a underside view of the same; FIG. 3 is a top plan view of the same; FIG. 4 is a right side elevational view of the same; FIG. 5 is a front elevational view of the same; FIG. 6 is a back view of the same; and, FIG. 7. is a left side elevational view of the same.

(56) **References Cited**

U.S. PATENT DOCUMENTS

D248,808 S * 8/1978 Offredi D6/438

1 Claim, 2 Drawing Sheets



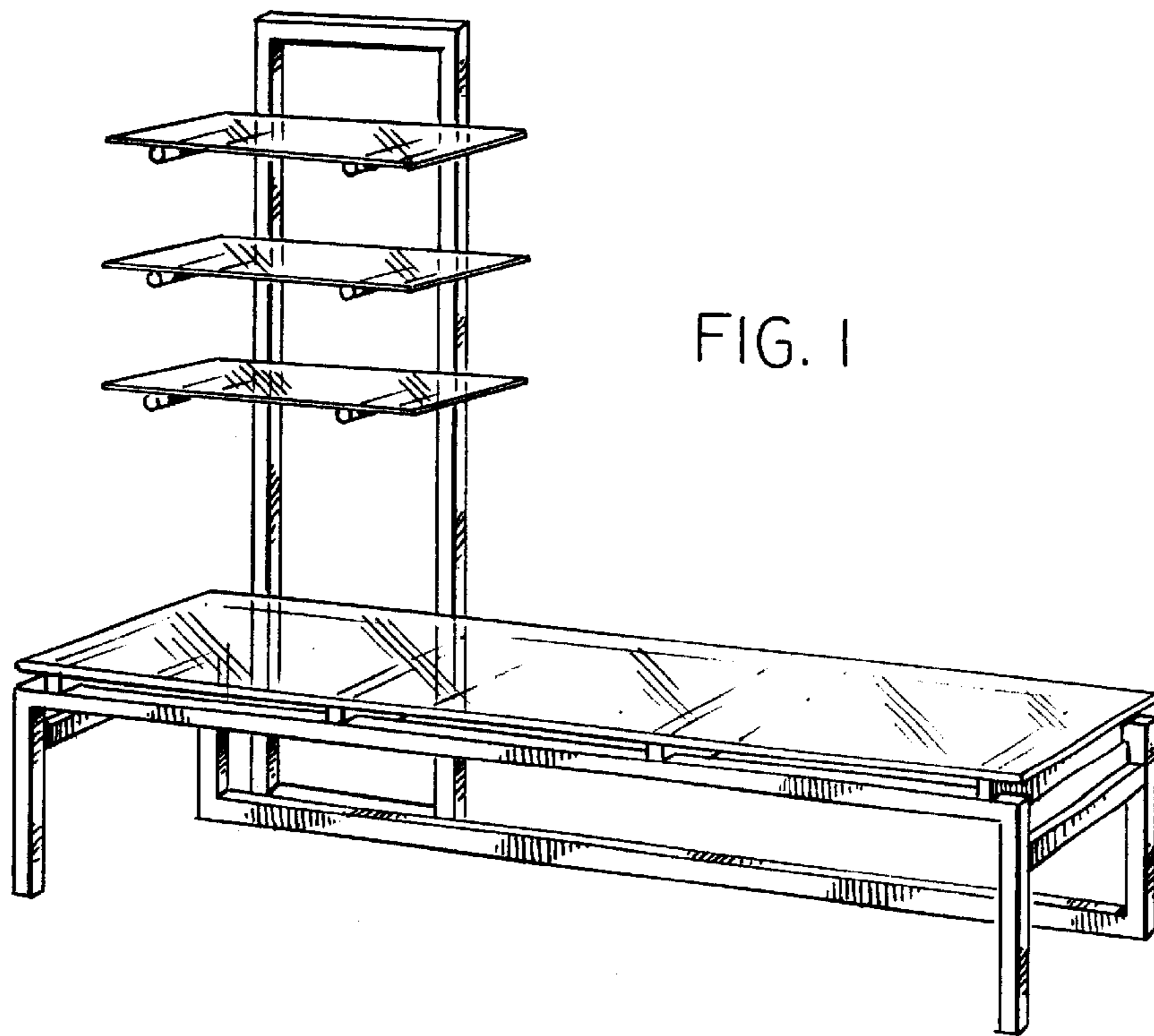


FIG. 1

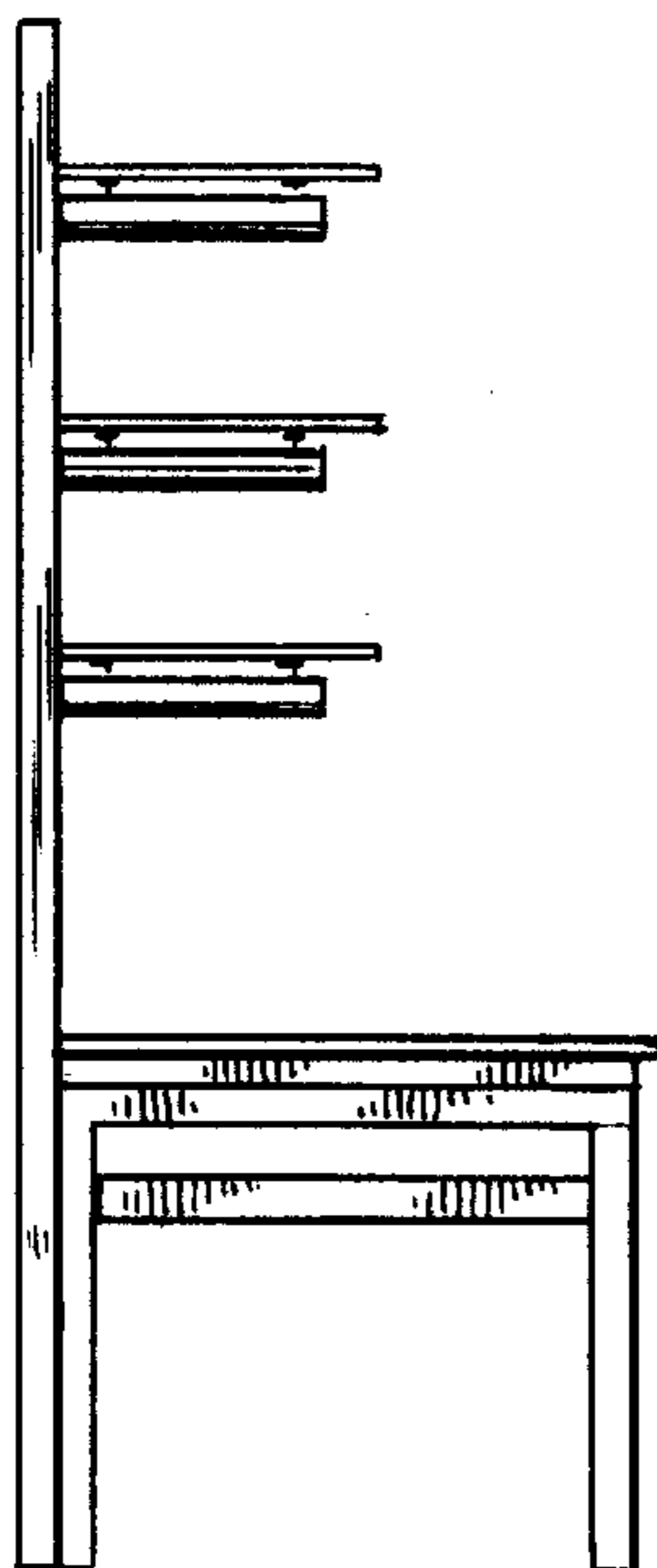


FIG. 4

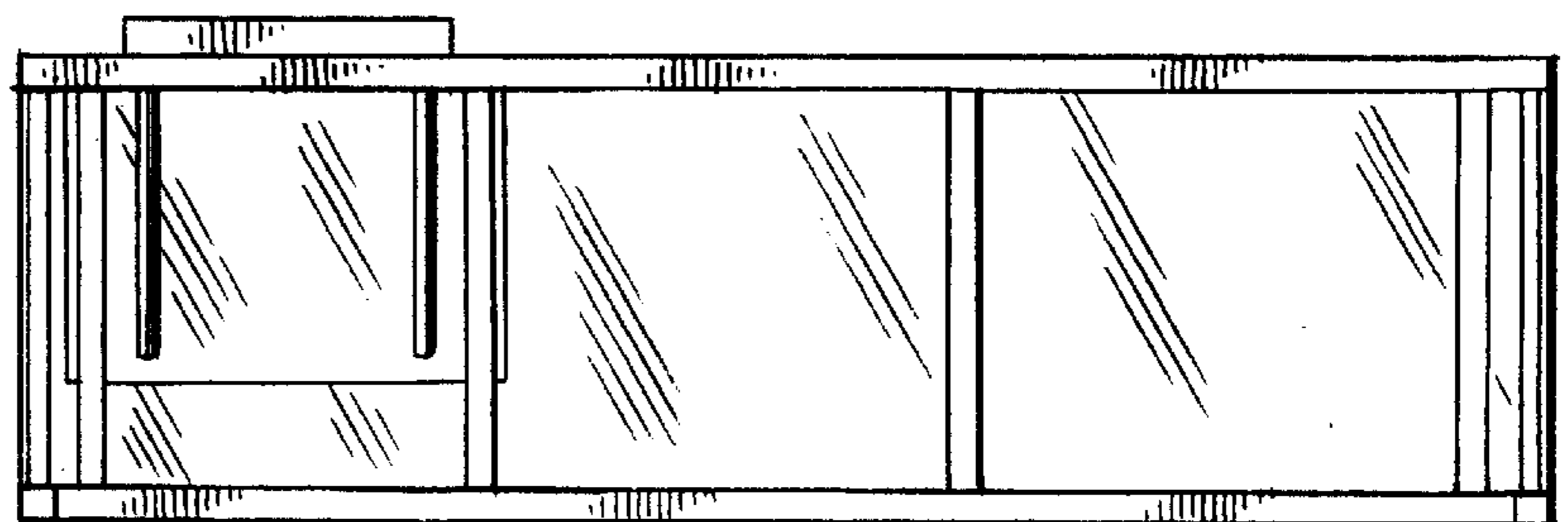


FIG. 2

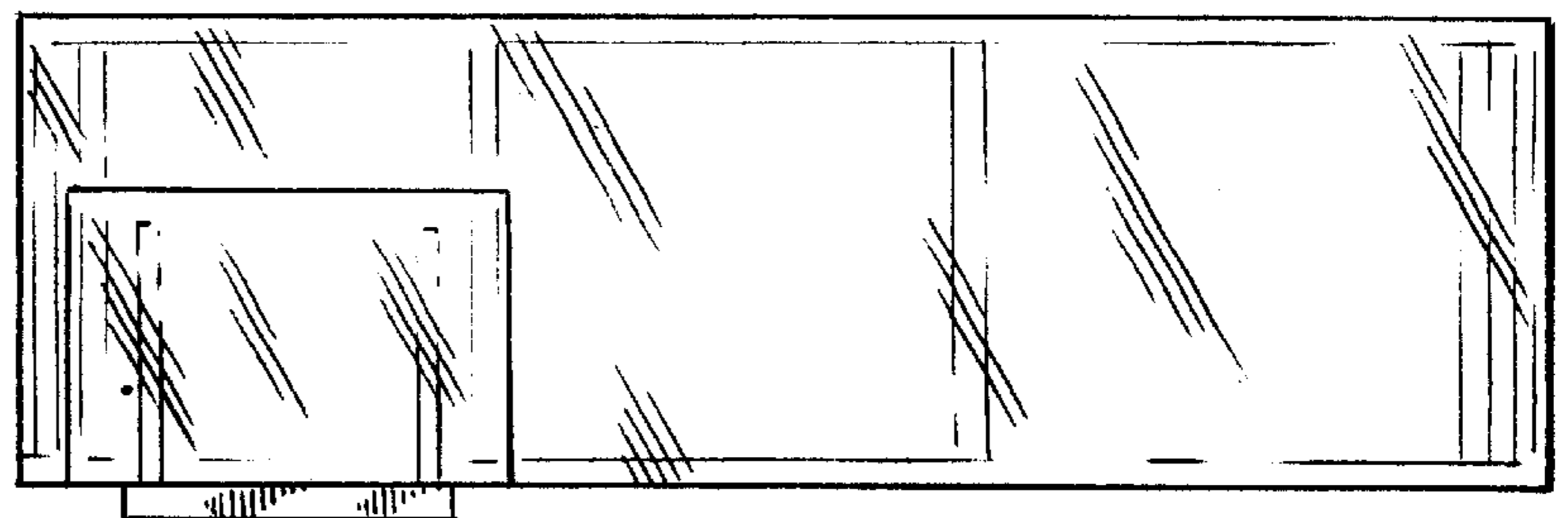


FIG. 3

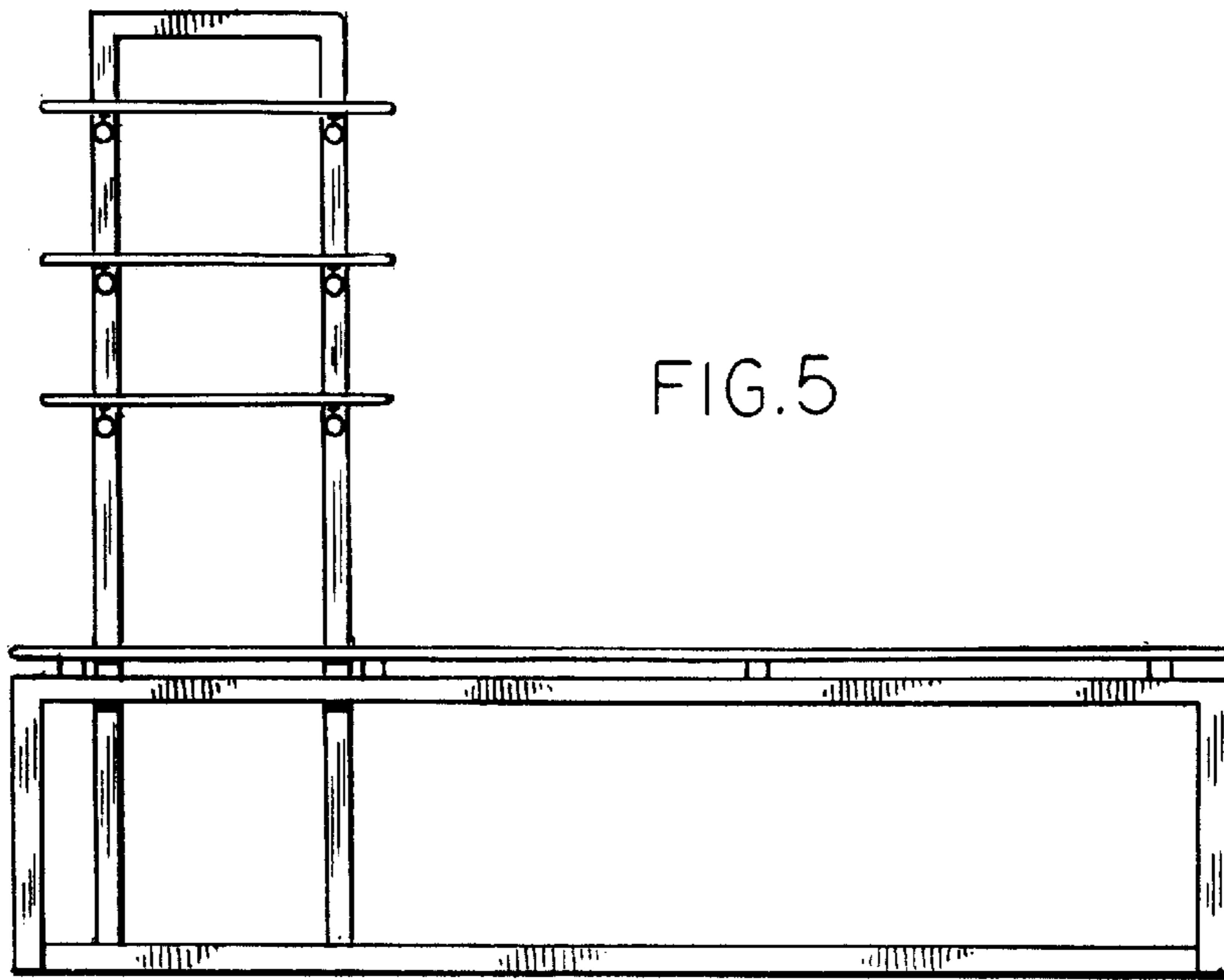


FIG. 5

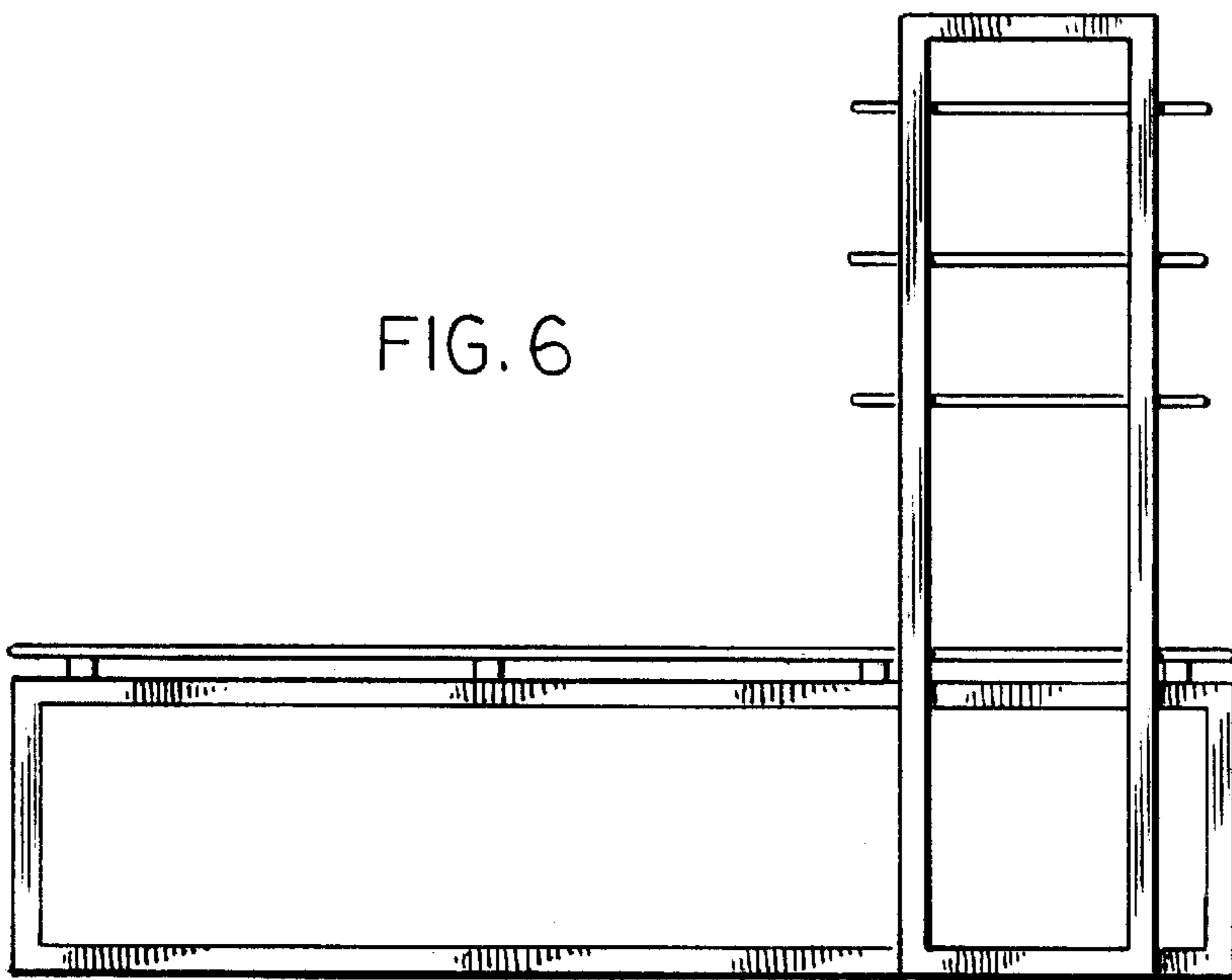


FIG. 6

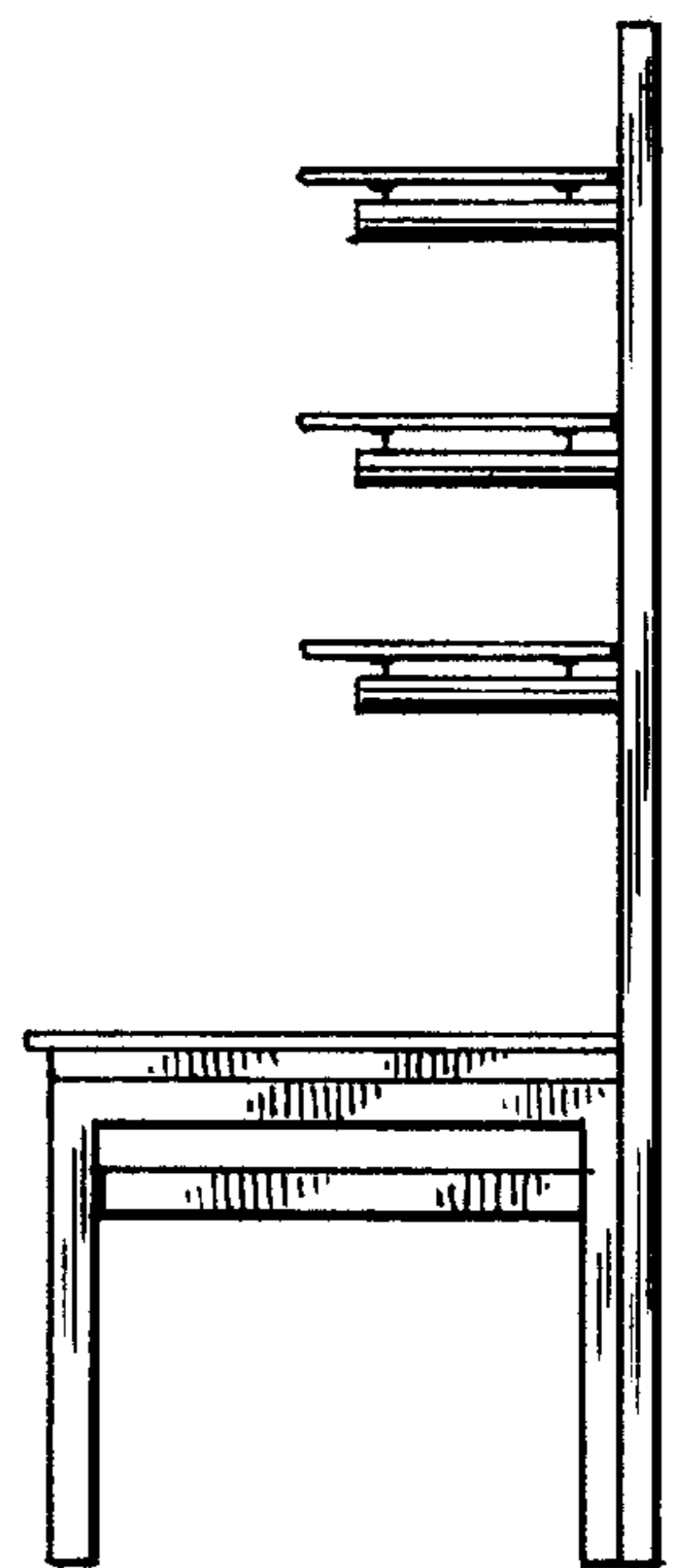


FIG. 7