



US00D465350S

(12) **United States Design Patent**
Byrne

(10) **Patent No.:** **US D465,350 S**

(45) **Date of Patent:** **** Nov. 12, 2002**

(54) **HUB FOR HOLDING A DISC ON A
CYLINDRICAL CONTAINER**

(75) **Inventor:** **James M. Byrne**, Massillon, OH (US)

(73) **Assignee:** **Nexpak Corporation**, North Canton,
OH (US)

(**) **Term:** **14 Years**

(21) **Appl. No.:** **29/146,671**

(22) **Filed:** **Aug. 14, 2001**

(51) **LOC (7) Cl.** **06-04**

(52) **U.S. Cl.** **D6/407; D9/435; D9/454**

(58) **Field of Search** D3/905, 201, 218,
D3/272, 273; D6/407, 626-635; D7/507;
D14/484; D19/26, 27, 32, 65, 75-77, 81;
206/217, 294, 232, 307.1, 308.1, 308.2,
308.3, 309, 310, 311, 312, 387.11, 387.13,
387.15; 220/231; 312/9.57; 379/355; D9/435,
439, 443, 447, 337, 454; 229/404

(56) **References Cited**

U.S. PATENT DOCUMENTS

3,421,681	A	*	1/1969	Frank	
D220,755	S	*	5/1971	Zundel	
3,777,968	A	*	12/1973	Law	229/404
D239,437	S	*	4/1976	Boduch	
D243,832	S	*	3/1977	Shveda	D7/507
D274,983	S	*	8/1984	Dart et al.	D9/447
D277,999	S	*	3/1985	Weiner	D6/407
5,056,659	A	*	10/1991	Howes et al.	206/217
D322,760	S	*	12/1991	Blanchette	D9/435
D323,116	S	*	1/1992	Dart et al.	D9/447
D341,320	S	*	11/1993	Morin	D9/443
D356,034	S	*	3/1995	Sugrue	D9/439
D367,957	S	*	3/1996	Lambert et al.	D3/273
5,542,532	A	*	8/1996	Mitchell	206/308.1
5,606,866	A	*	3/1997	Anthony et al.	62/294
D385,145	S	*	10/1997	VerWeyst et al.	D6/632
5,829,583	A	*	11/1998	VerWeyst et al.	206/308.1
D406,237	S	*	3/1999	Bettiga	D9/443

5,971,195	A	*	10/1999	Reidinger et al.	
5,979,688	A	*	11/1999	Stodd	220/231
D431,955	S	*	10/2000	Peterson et al.	D6/632
D431,956	S	*	10/2000	Chouraqui et al.	D6/635
D438,418	S		3/2001	Myszka et al.	
6,206,220	B1	*	3/2001	Stodd	220/231
6,207,100	B1	*	3/2001	Weiss et al.	
D439,786	S		4/2001	Myszka et al.	
6,216,857	B1	*	4/2001	Gordon et al.	206/232
D444,984	S		7/2001	Myszka et al.	
D445,288	S		7/2001	Myszka et al.	
D445,289	S		7/2001	Myszka et al.	
D447,663	S		9/2001	Myszka et al.	
6,311,860	B1	*	11/2001	Reidinger et al.	
D452,628	S	*	1/2002	Stauffer	D6/632
6,349,821	B1	*	2/2002	Gordon et al.	206/232
6,364,102	B1	*	4/2002	Gordon et al.	206/217
2002/0038803	A1	*	4/2002	Malcolm	220/713

* cited by examiner

Primary Examiner—Celia Murphy

(74) *Attorney, Agent, or Firm*—Sand & Sebolt

(57) **CLAIM**

The ornamental design for a hub for holding a disc on a cylindrical container, as shown and described.

DESCRIPTION

FIG. 1 is a perspective view of a hub for holding a disc on a cylindrical container showing my new design; the lining of the drawing indicating that the material is substantially transparent.

FIG. 2 is a top plan view of FIG. 1;

FIG. 3 is a front elevation view of FIG. 2;

FIG. 4 is a right side elevation view of FIG. 2;

FIG. 5 is a bottom plan view of FIG. 2;

FIG. 6 is a perspective view similar to FIG. 1 with the lining of the drawing representing a substantially opaque material;

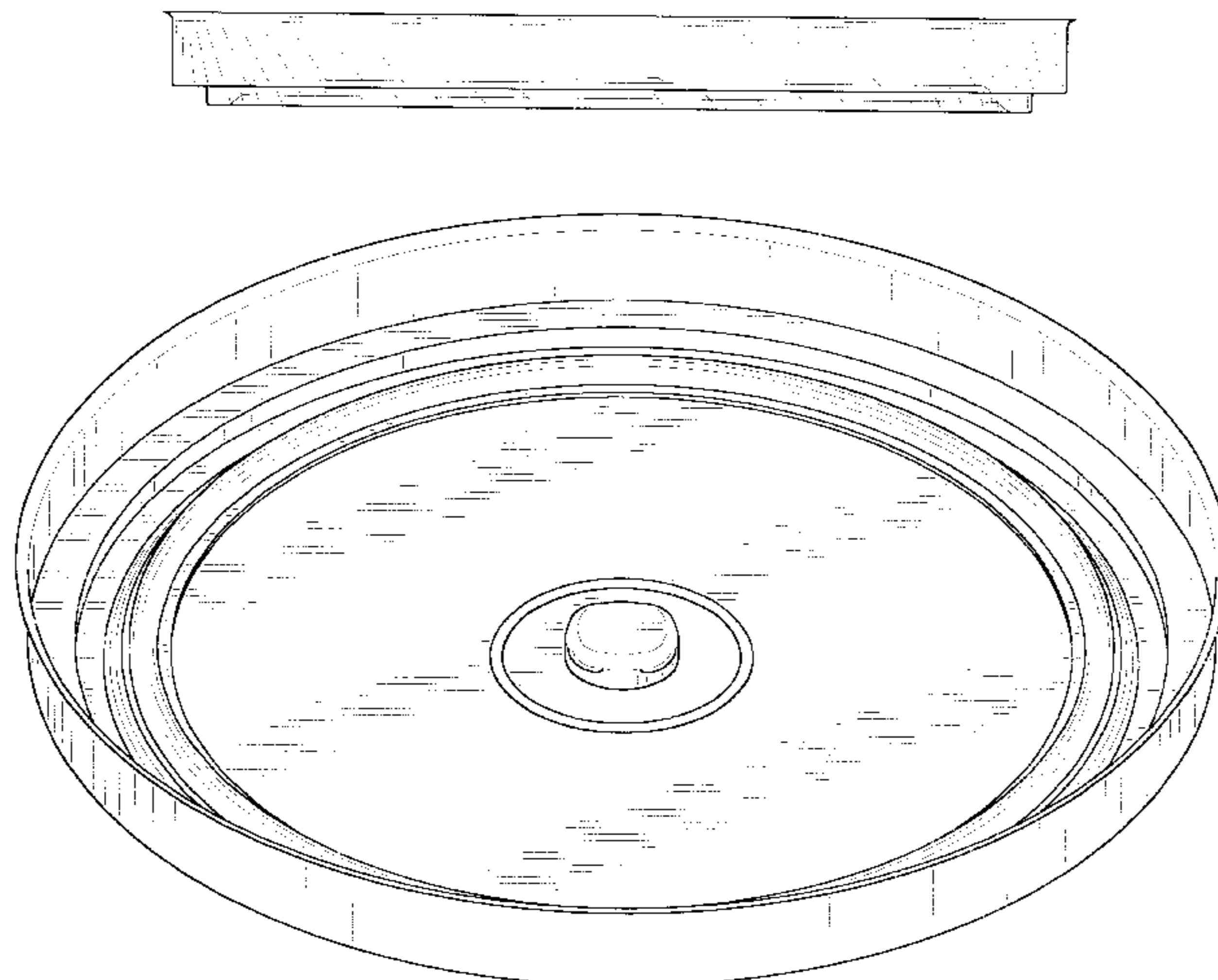
FIG. 7 is a top plan view of FIG. 6;

FIG. 8 is a front elevation view of FIG. 7;

FIG. 9 is a right side elevation view of FIG. 7; and,

FIG. 10 is a bottom plan view of FIG. 7.

1 Claim, 6 Drawing Sheets



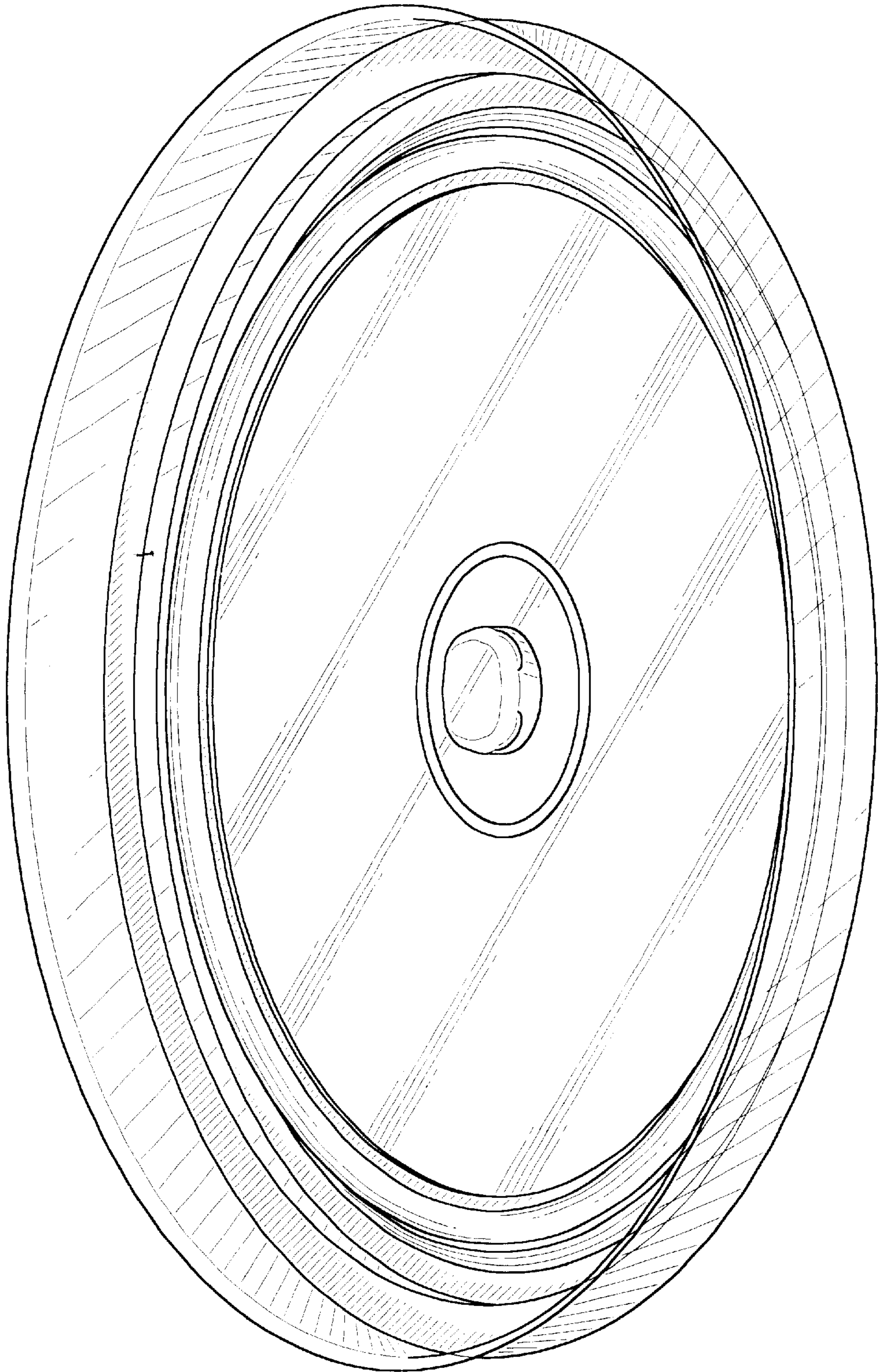


FIG-1

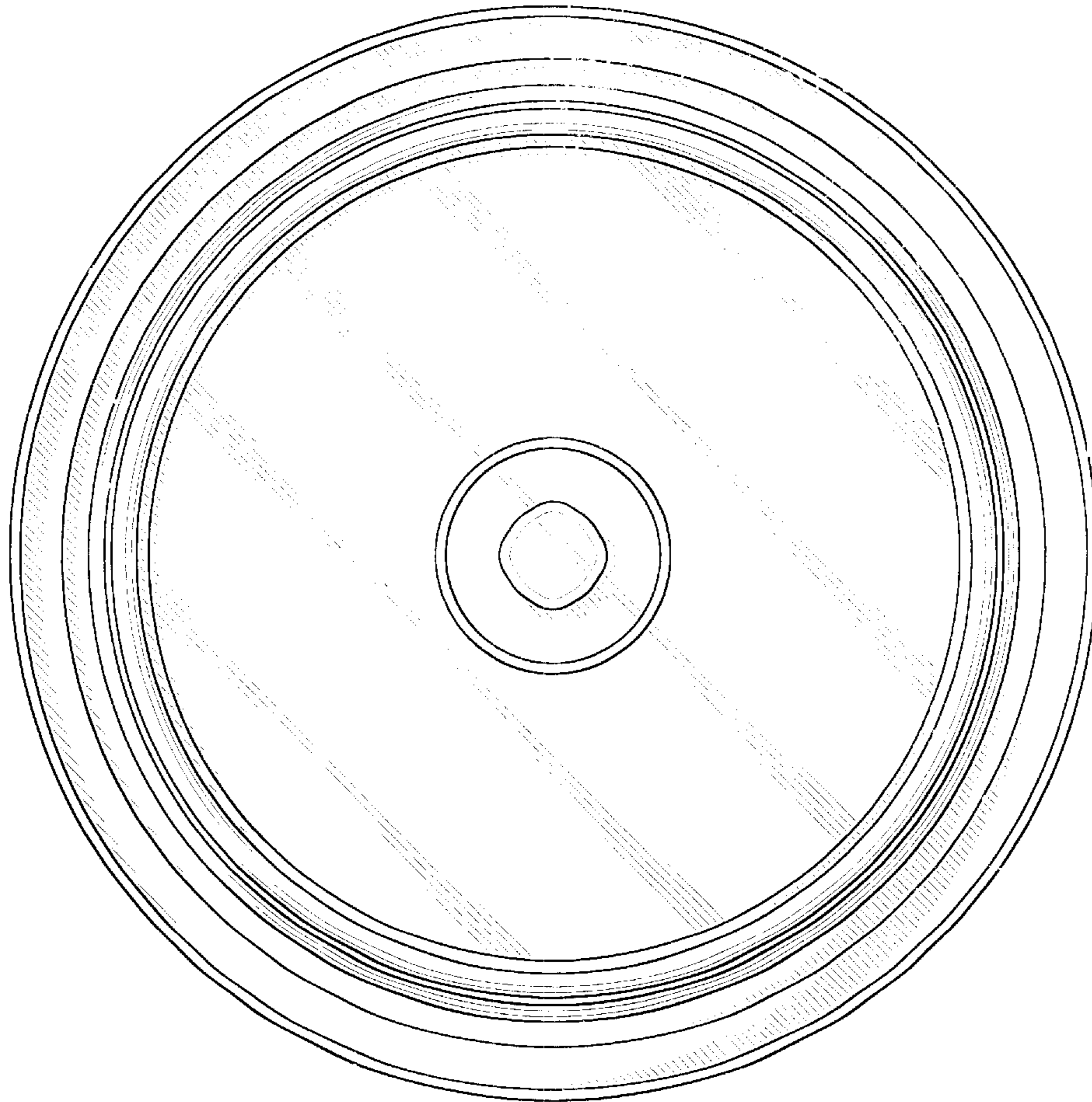


FIG-2



FIG-3

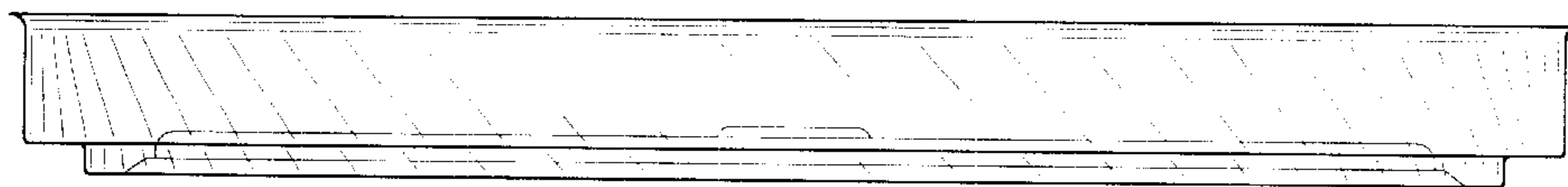


FIG-4

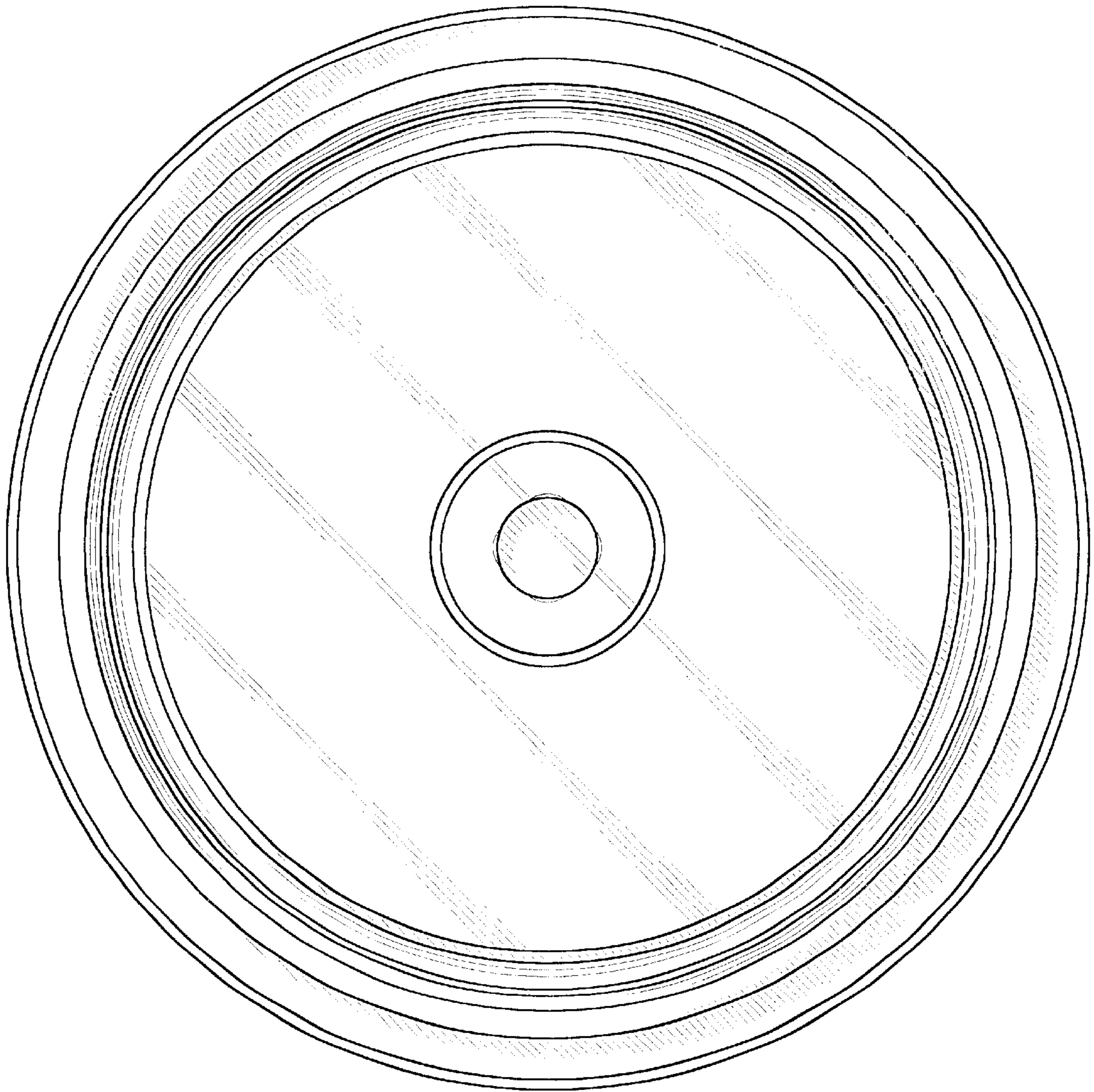


FIG-5

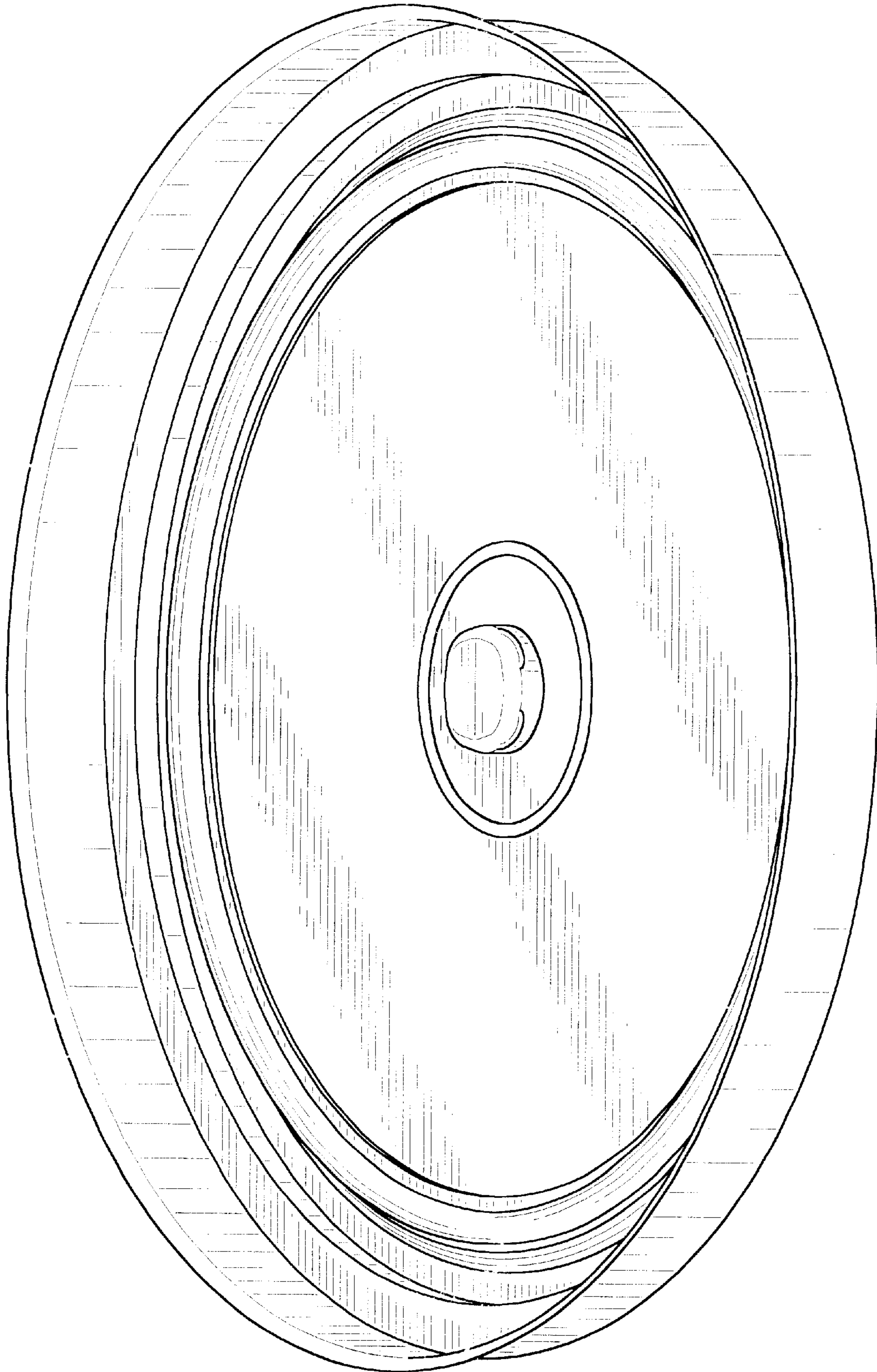


FIG-6

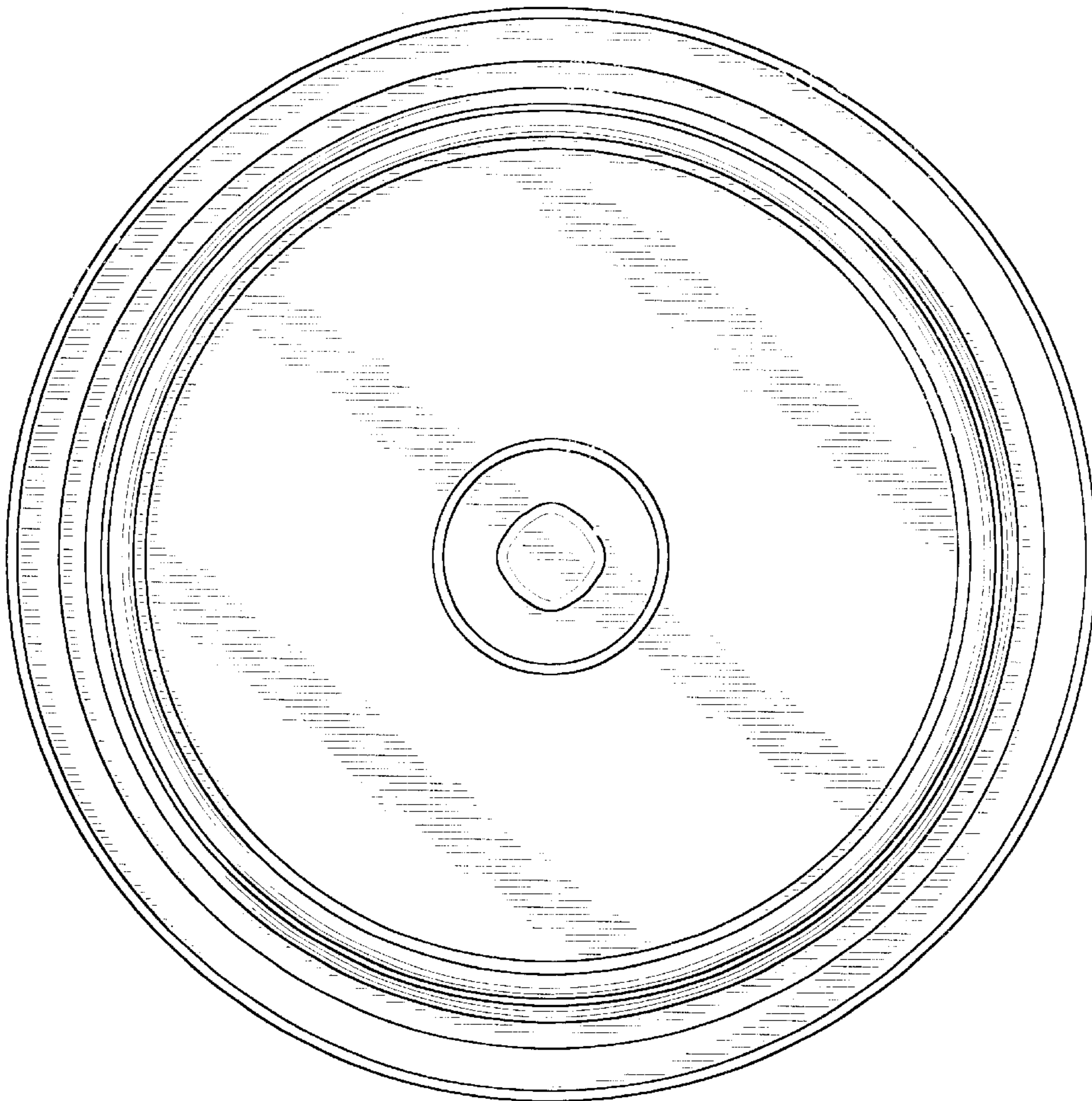


FIG-7

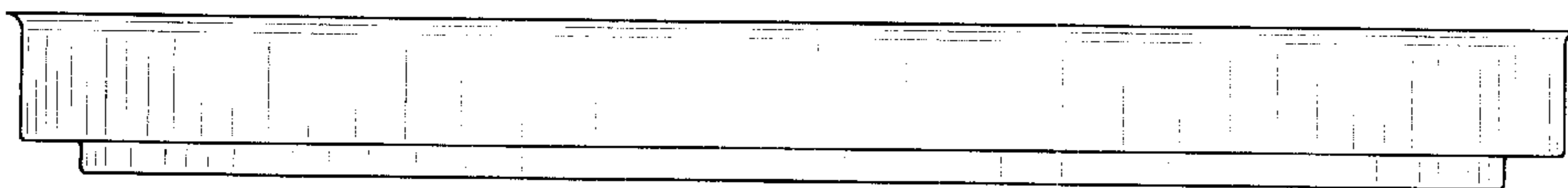


FIG-8

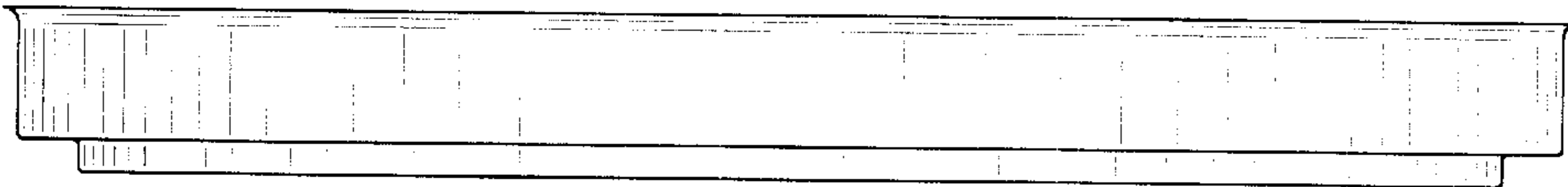


FIG-9

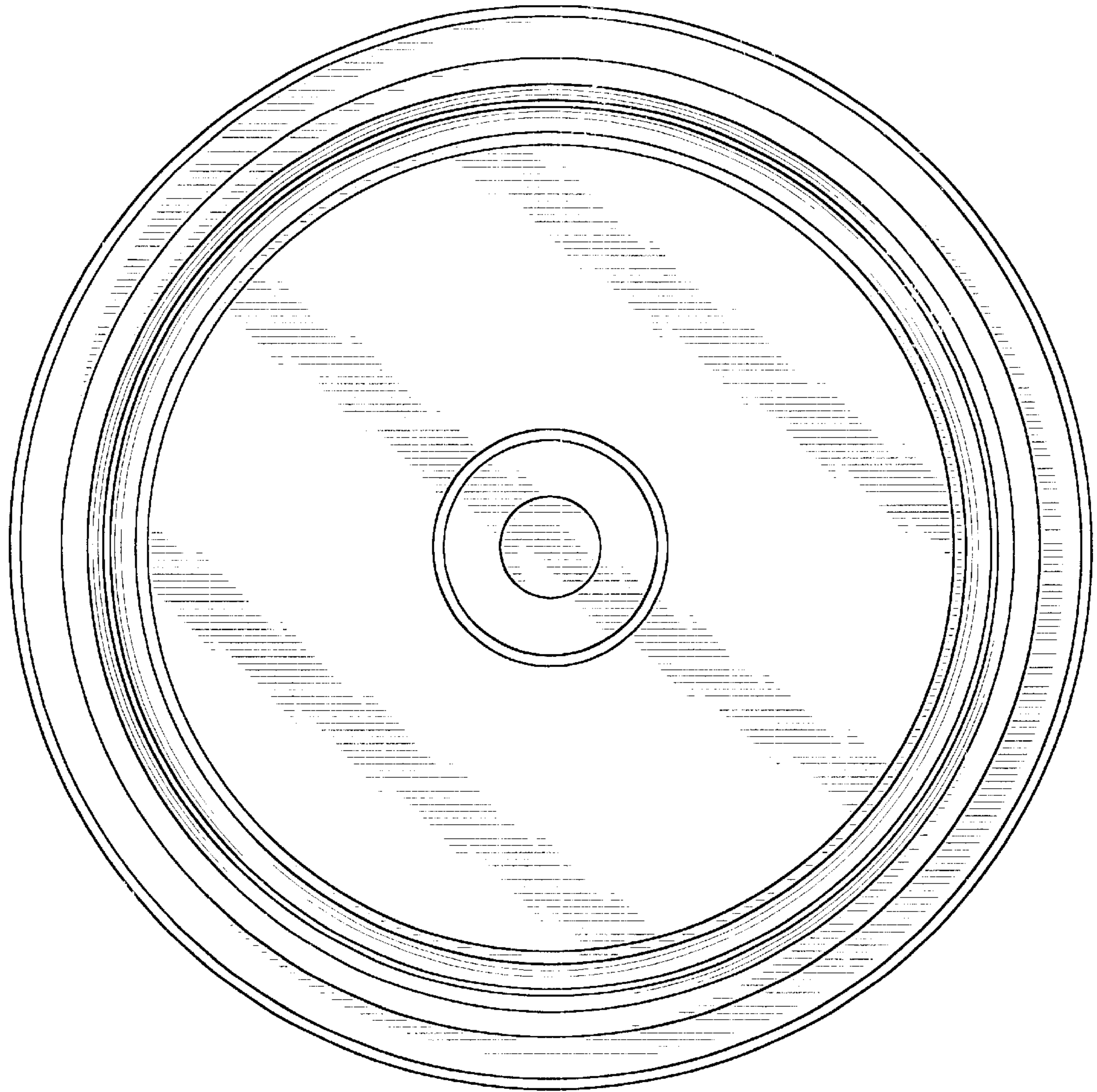


FIG-10