



US00D465349S

(12) **United States Design Patent**
Sharpton, III

(10) **Patent No.:** **US D465,349 S**

(45) **Date of Patent:** **** Nov. 12, 2002**

(54) **PLANT DISPLAY STAND**

D390,728 S * 2/1998 Herman et al. D6/474

(76) Inventor: **Charles B. Sharpton, III**, 1939
Variations Dr., Atlanta, GA (US) 30329

* cited by examiner

(**) Term: **14 Years**

Primary Examiner—Doris V. Coles
Assistant Examiner—Mimosa De
(74) *Attorney, Agent, or Firm*—Clark & Brody

(21) Appl. No.: **29/145,209**

(22) Filed: **Jul. 19, 2001**

(57) **CLAIM**

(51) **LOC (7) Cl.** **06-03**

The ornamental design for a plant display stand, as shown and described.

(52) **U.S. Cl.** **D6/405**

DESCRIPTION

(58) **Field of Search** D6/403, 405, 455,
D6/459, 460, 474, 556, 477, 558, 464;
47/39; 206/423; 211/85.23, 71.1; 248/27.8,
121; 108/32

FIG. 1 is a perspective view of a plant display stand showing my new design.

FIG. 2 is a left side elevation view thereof. The right side elevation view is identical thereto; and,

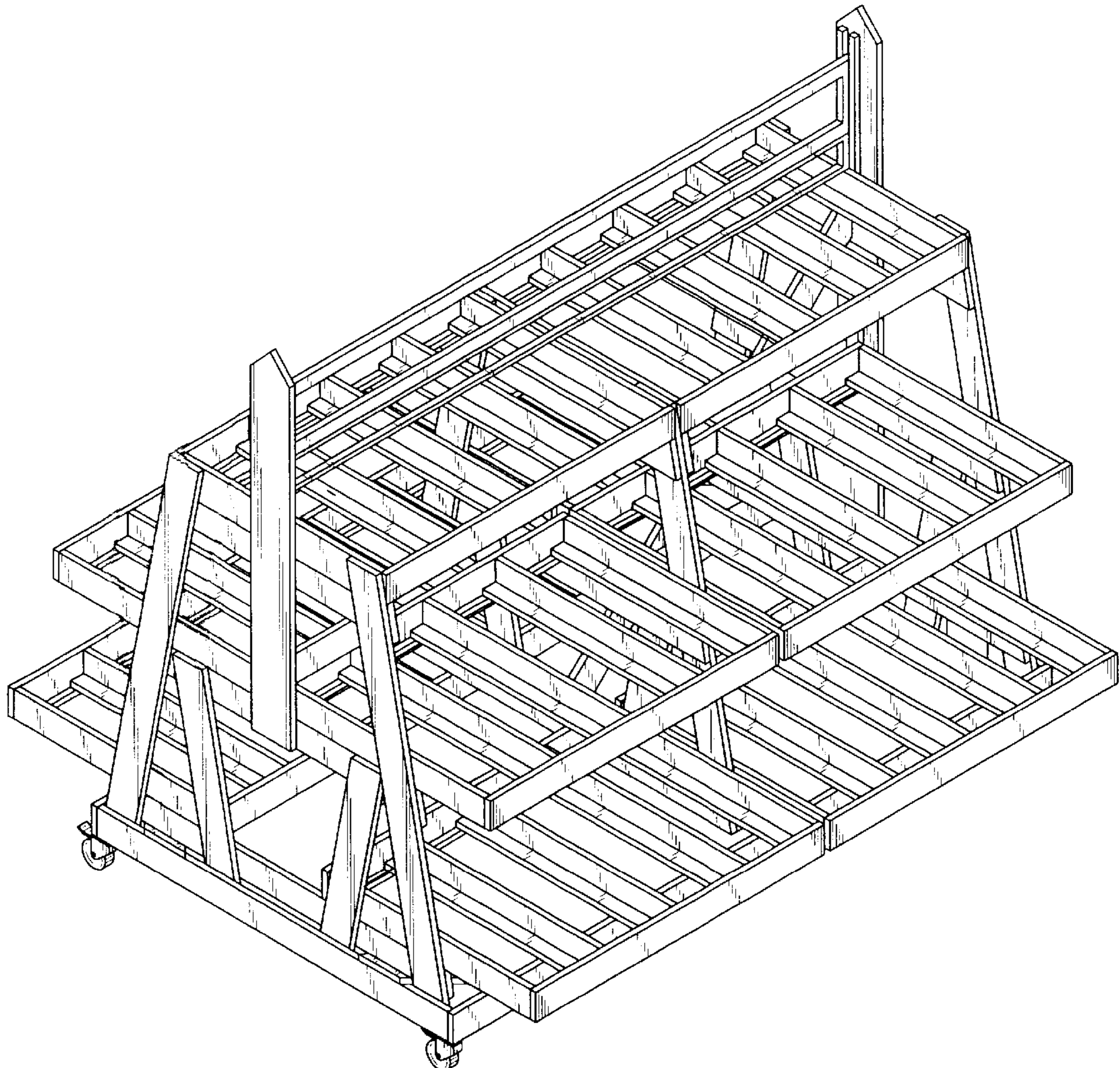
FIG. 3 is a front elevation view thereof. The rear elevation view is identical thereto.

(56) **References Cited**

U.S. PATENT DOCUMENTS

D367,375 S * 2/1996 Vukelich, Sr. D6/405
5,584,141 A * 12/1996 Johnson 47/39

1 Claim, 3 Drawing Sheets



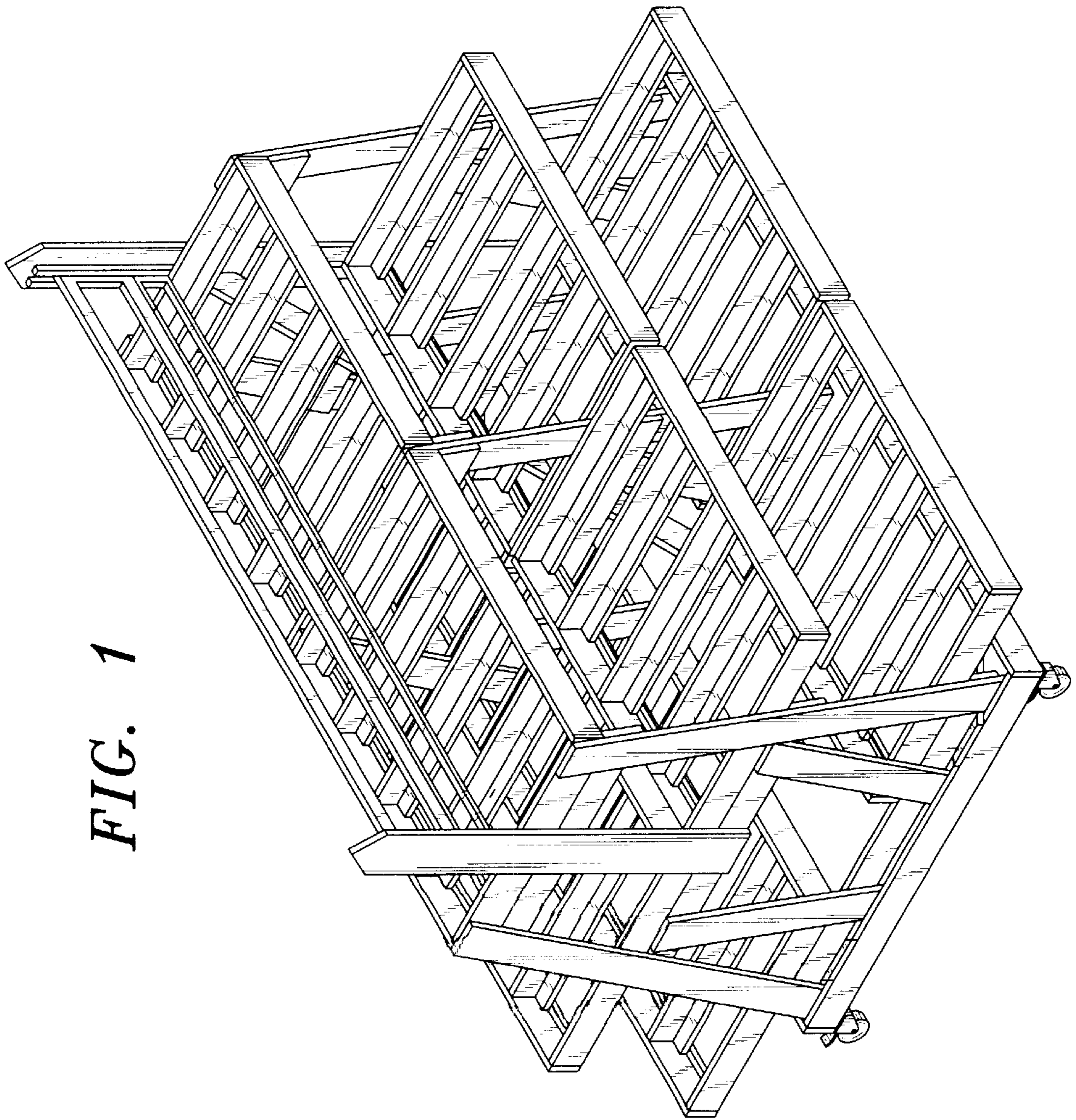


FIG. 1

FIG. 2

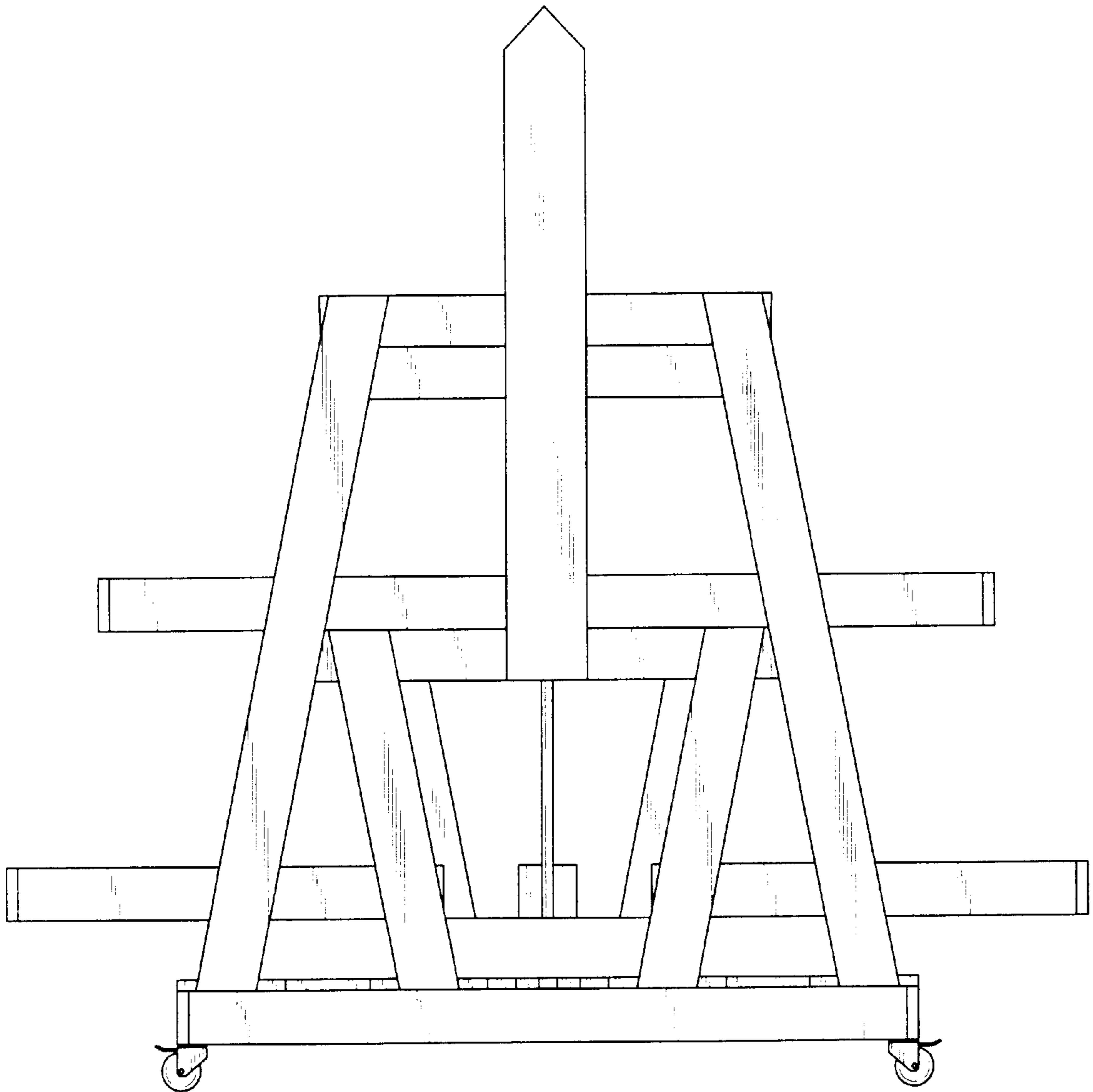


FIG. 3

