



US00D465348S

(12) **United States Design Patent**  
**Lucatello**

(10) **Patent No.:** **US D465,348 S**

(45) **Date of Patent:** **\*\* Nov. 12, 2002**

(54) **MODULAR FURNITURE ELEMENT**

D407,923 S \* 4/1999 Le Hyaric ..... D6/477

(75) Inventor: **Andrea Lucatello**, Treviso (IT)

\* cited by examiner

(73) Assignee: **Societa' Vetraria Biancadese S.A.S.**,  
Treviso (IT)

*Primary Examiner*—Dominic Simone

(74) *Attorney, Agent, or Firm*—Wenderoth, Lind & Ponack,  
L.L.P.

(\*\*) Term: **14 Years**

(57) **CLAIM**

(21) Appl. No.: **29/124,269**

The ornamental design for modular furniture element, as shown.

(22) Filed: **Jun. 5, 2000**

**DESCRIPTION**

(30) **Foreign Application Priority Data**

Dec. 17, 1999 (XH) ..... DM/050 183

(51) **LOC (7) Cl.** ..... **06-04**

(52) **U.S. Cl.** ..... **D6/396; D6/449**

(58) **Field of Search** ..... D6/396, 449, 475,  
D6/477; 108/59, 60, 64, 91

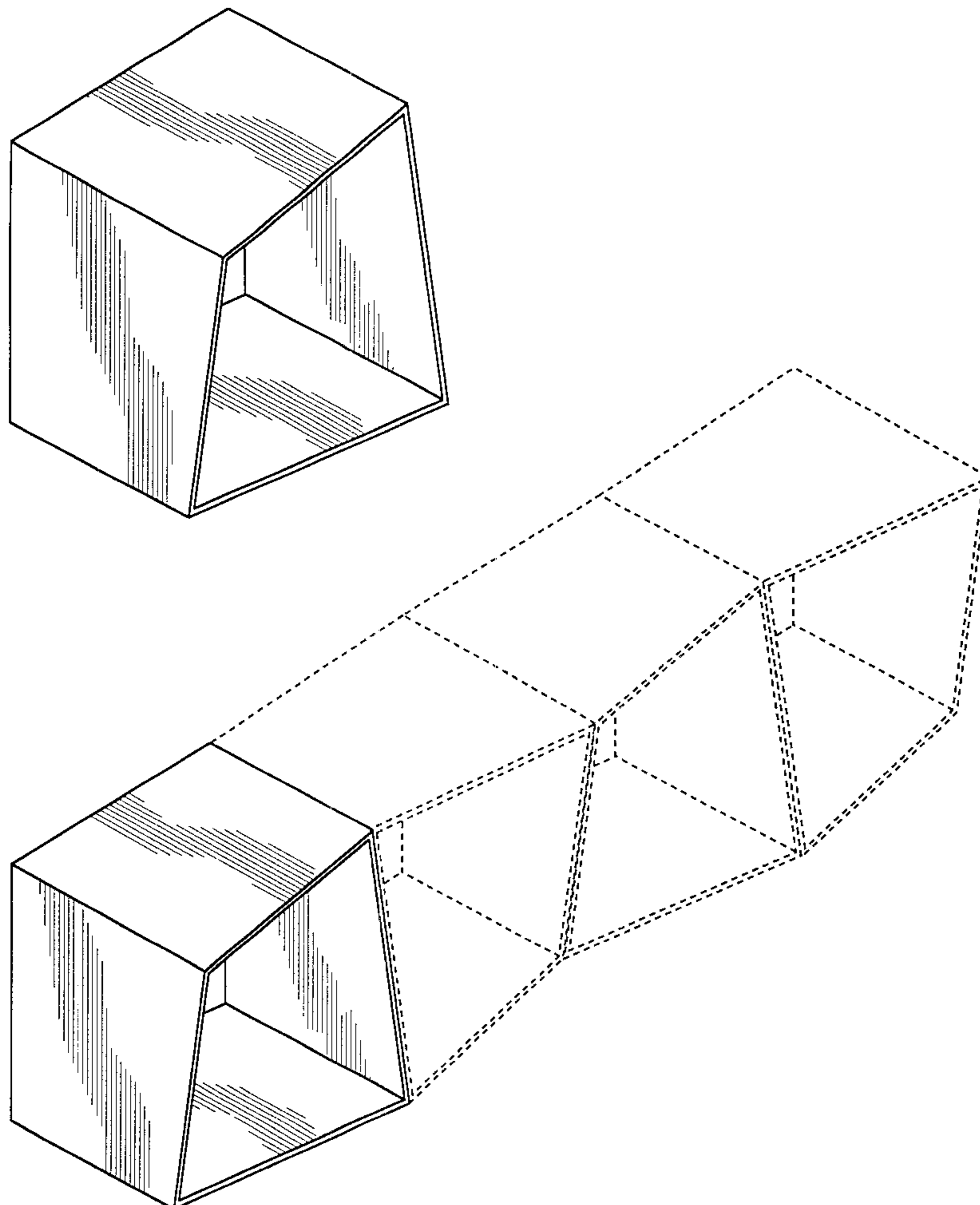
FIG. 1 is a left front, top perspective view of a modular furniture element showing my new design; FIG. 2 is a front elevational view thereof; FIG. 3 is a rear elevational view thereof; FIG. 4 is a left side elevational view thereof; FIG. 5 is a right side elevational view thereof; FIG. 6 is a top plan view thereof; FIG. 7 is a bottom plan view thereof; and, FIG. 8 is a perspective view thereof, the additional modular furniture elements shown in broken lines for illustrative purposes only and form no part of the claimed design.

(56) **References Cited**

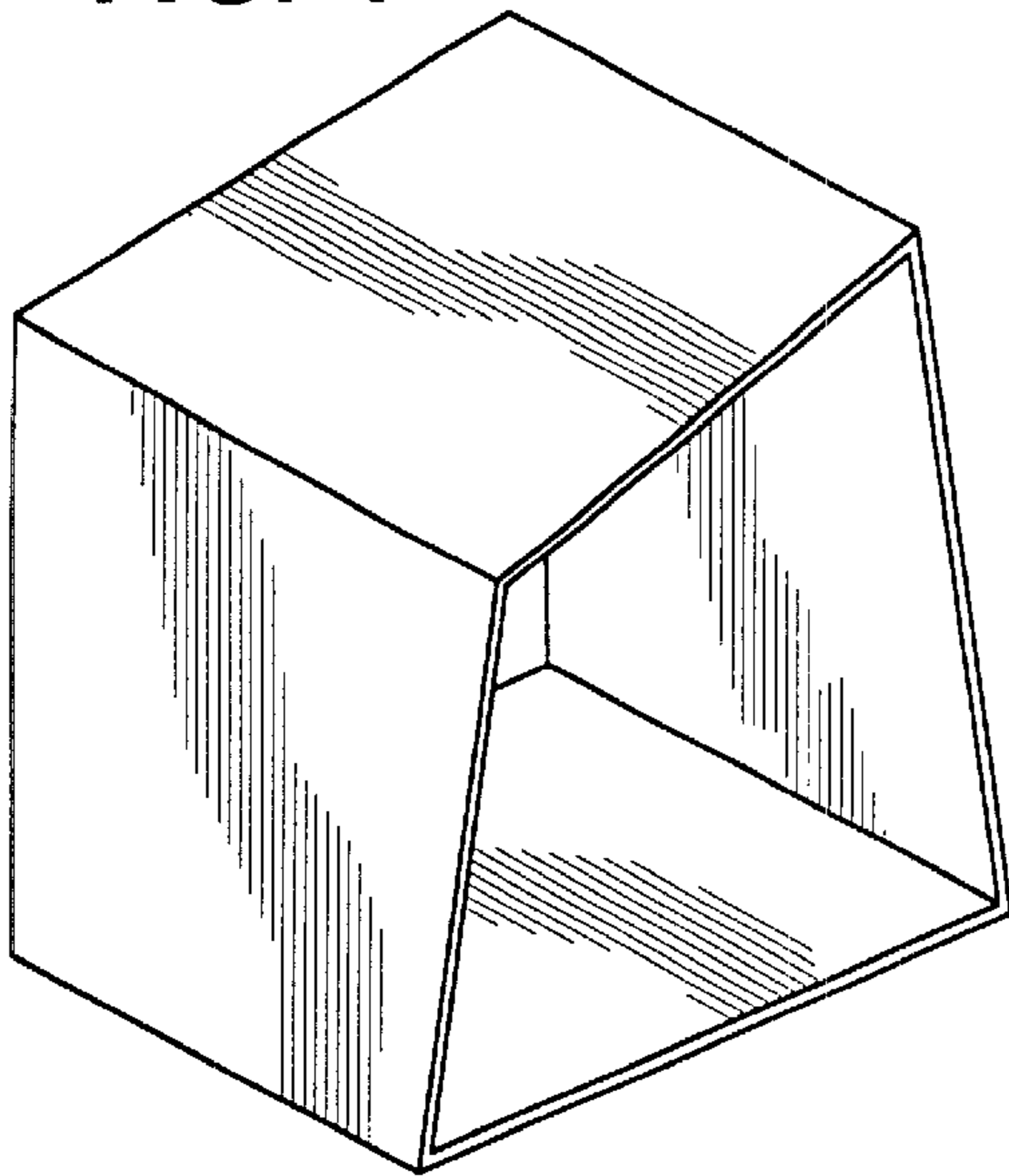
**U.S. PATENT DOCUMENTS**

4,262,605 A \* 4/1981 Sokol ..... 108/91  
4,485,930 A \* 12/1984 Savelkouls ..... 108/91

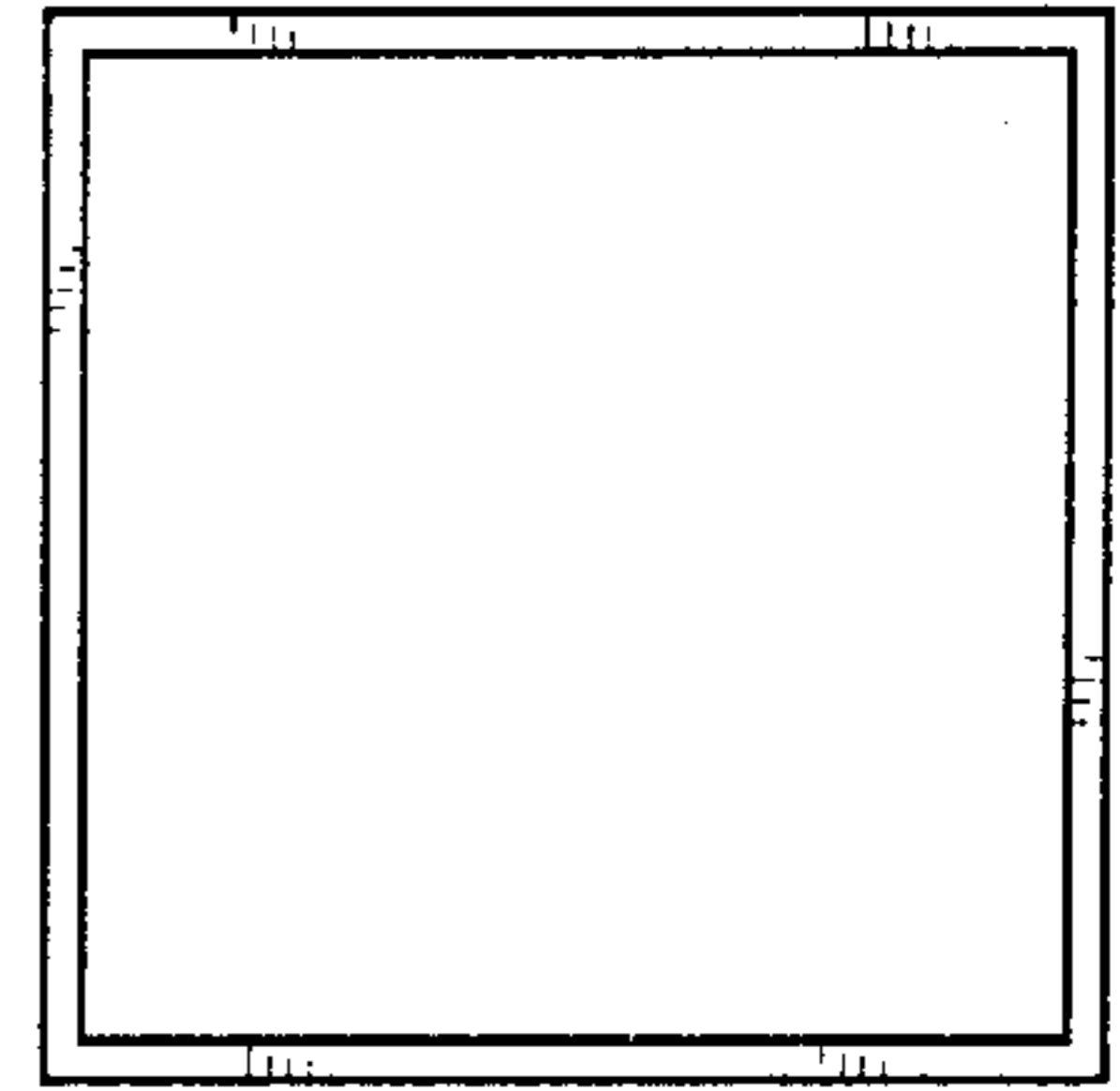
**1 Claim, 2 Drawing Sheets**



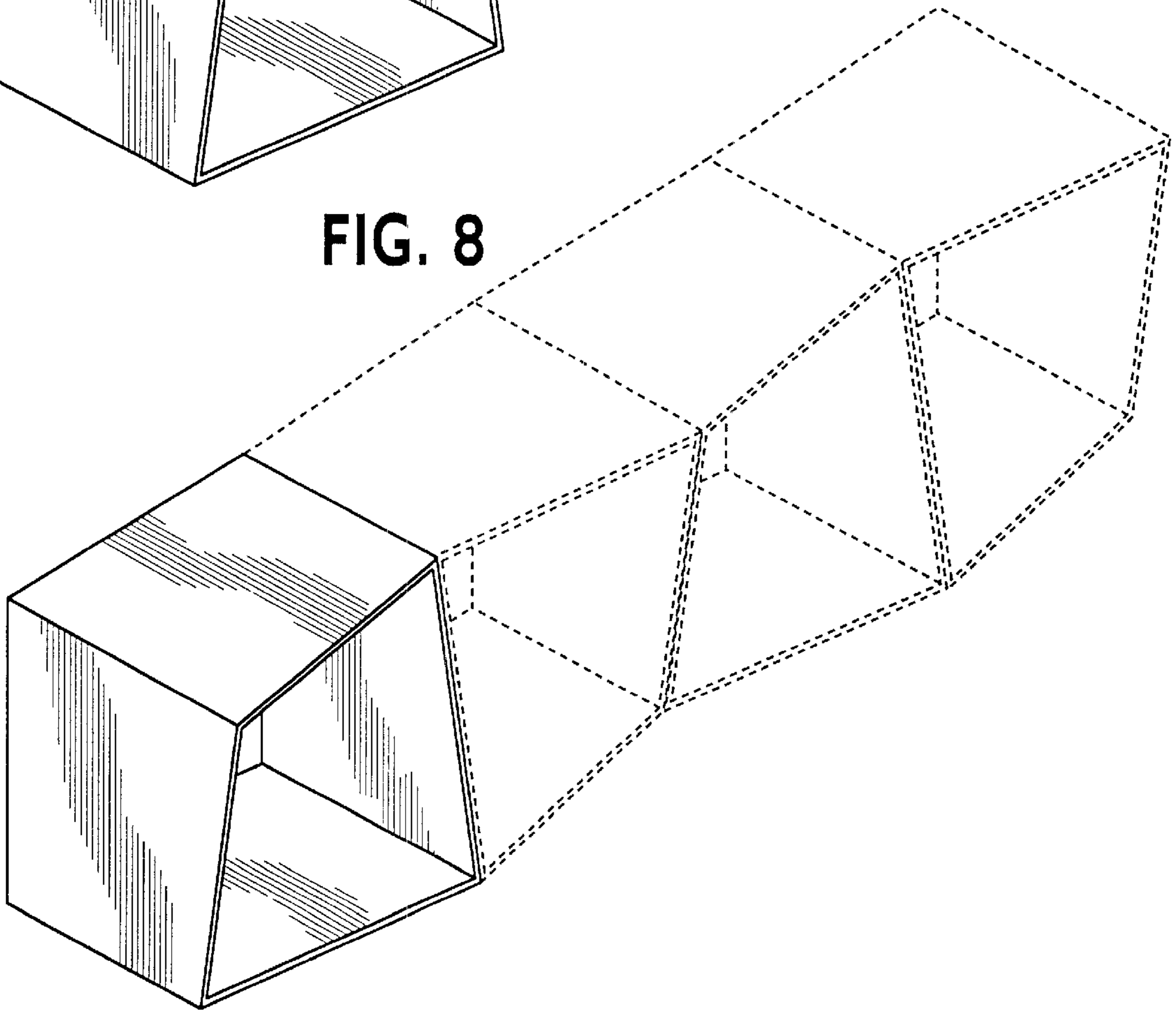
**FIG. 1**



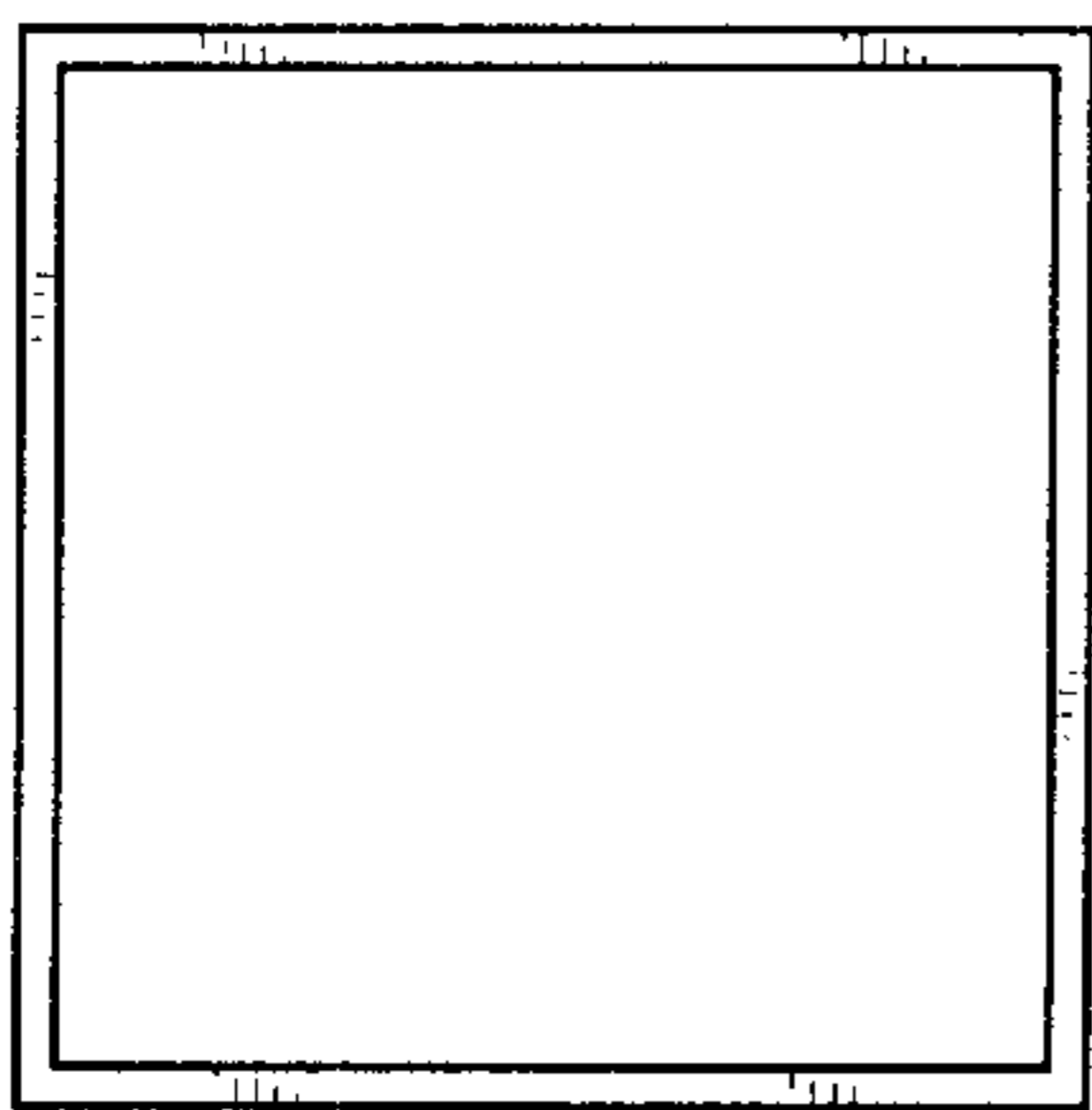
**FIG. 2**



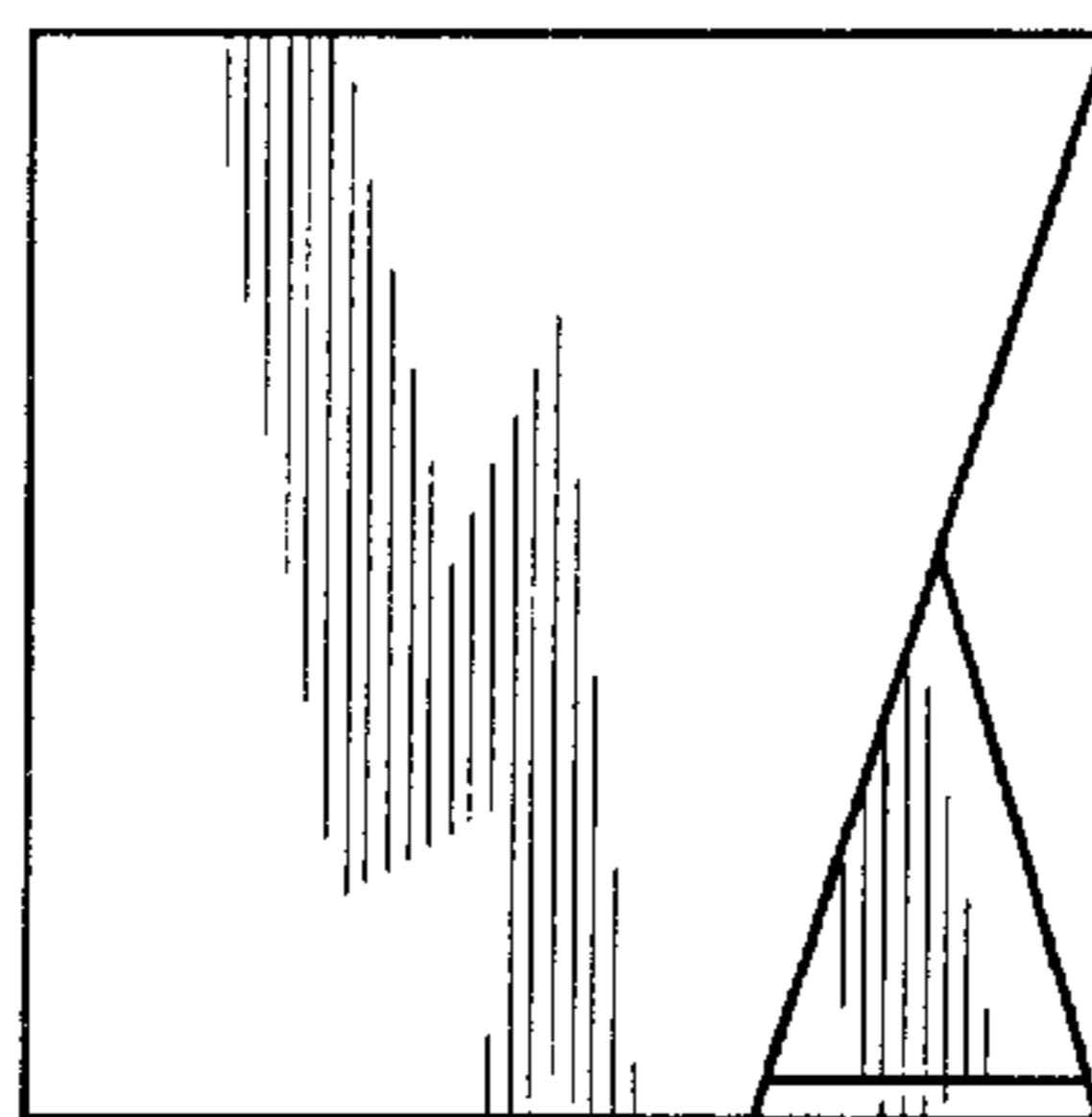
**FIG. 8**



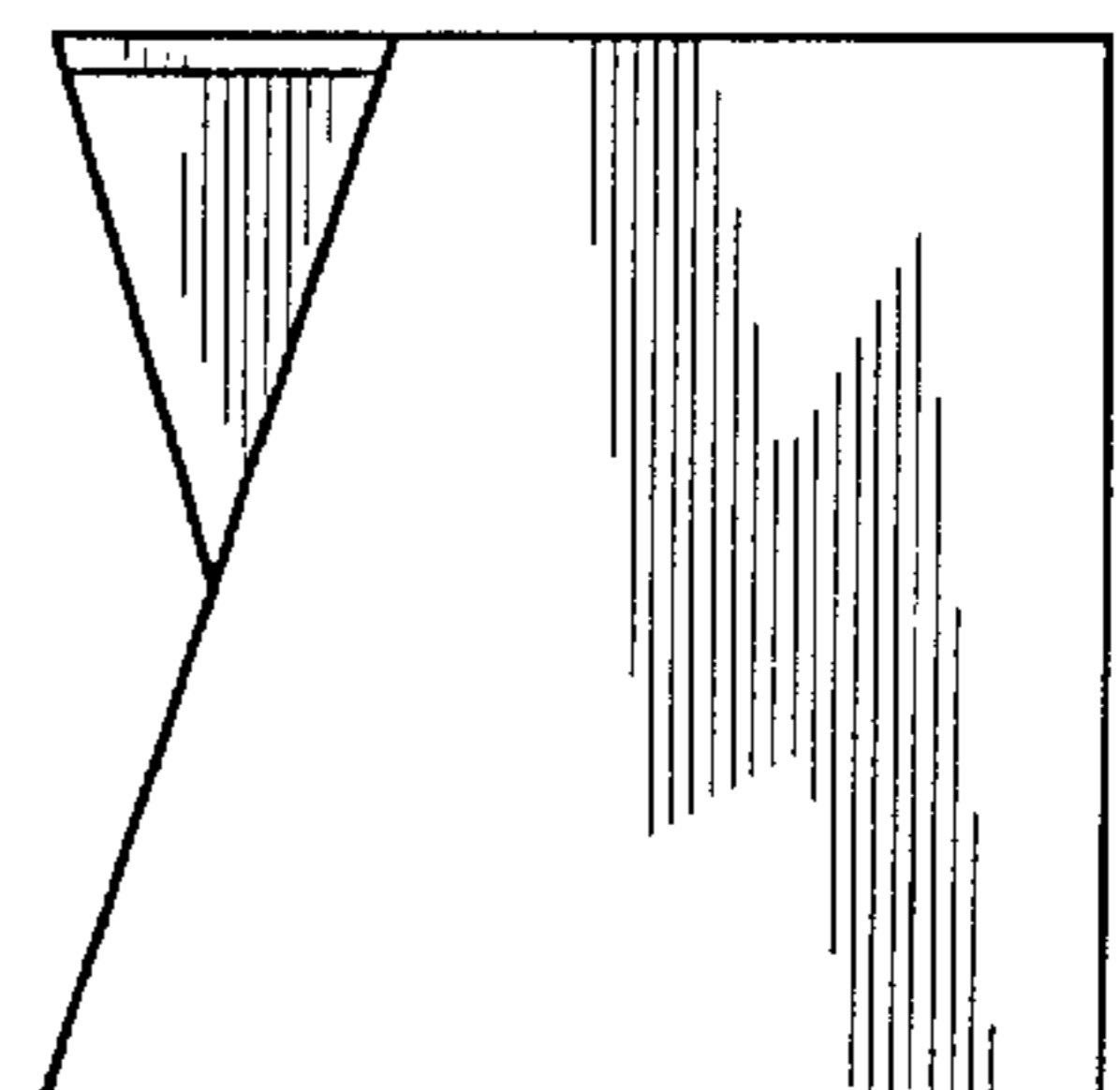
**FIG. 3**



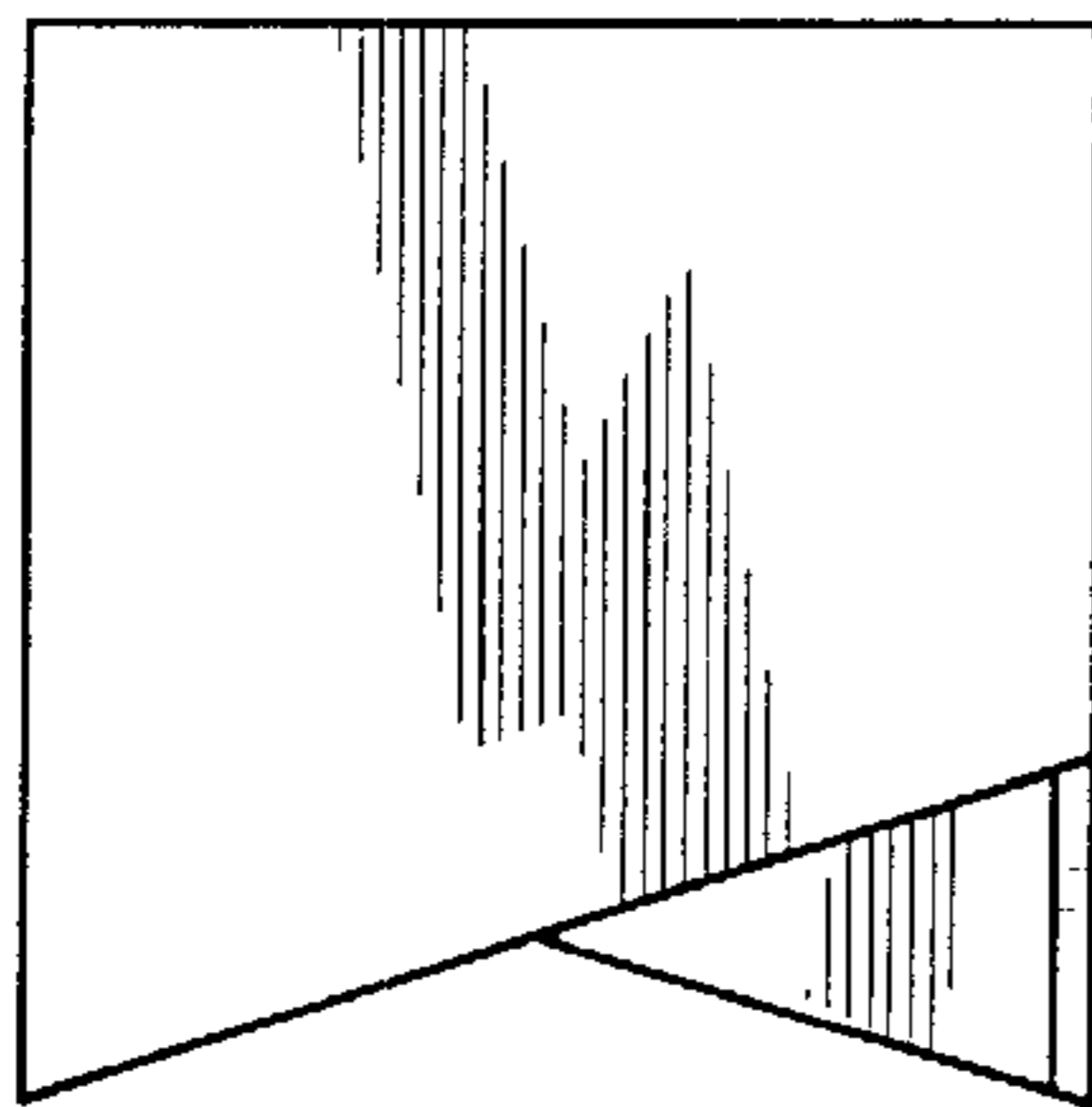
**FIG. 4**



**FIG. 5**



**FIG. 6**



**FIG. 7**

