



US00D465341S

(12) **United States Design Patent**  
**Hutton**

(10) **Patent No.:** **US D465,341 S**

(45) **Date of Patent:** **\*\* Nov. 12, 2002**

(54) **CLUB CHAIR**

(76) Inventor: **John Hutton**, 36 DeForest Ave., West Islip, NY (US) 11795

(\*\*) Term: **14 Years**

(21) Appl. No.: **29/143,101**

(22) Filed: **Jun. 6, 2001**

(51) **LOC (7) Cl.** ..... **06-01**

(52) **U.S. Cl.** ..... **D6/334**

(58) **Field of Search** ..... D6/334, 335, 371, D6/373, 500, 501, 502; 297/445.1, 446.1

(56) **References Cited**

**U.S. PATENT DOCUMENTS**

D329,543 S	*	9/1992	Shields	.....	D6/334
D379,269 S	*	5/1997	Hutton	.....	D6/334
D382,123 S	*	8/1997	Pimental et al.	.....	D6/334
D400,015 S	*	10/1998	Hutton	.....	D6/334
D423,244 S	*	4/2000	Hutton	.....	D6/334 X
D431,117 S	*	9/2000	Hutton	.....	D6/334

D431,118 S \* 9/2000 Hutton ..... D6/334

D442,787 S \* 5/2001 Hutton ..... D6/334

D446,395 S \* 8/2001 Hutton ..... D6/334

\* cited by examiner

*Primary Examiner*—Gary D. Watson

(74) *Attorney, Agent, or Firm*—Darby & Darby

(57) **CLAIM**

The ornamental design for a club chair, as shown and described.

**DESCRIPTION**

FIG. 1 is a perspective view of a club chair showing my new design;

FIG. 2 is a left side elevational view, the right side being a mirror image thereof;

FIG. 3 is a front elevational view;

FIG. 4 is a rear elevational view;

FIG. 5 is a top plan view; and,

FIG. 6 is a bottom plan view.

**1 Claim, 3 Drawing Sheets**

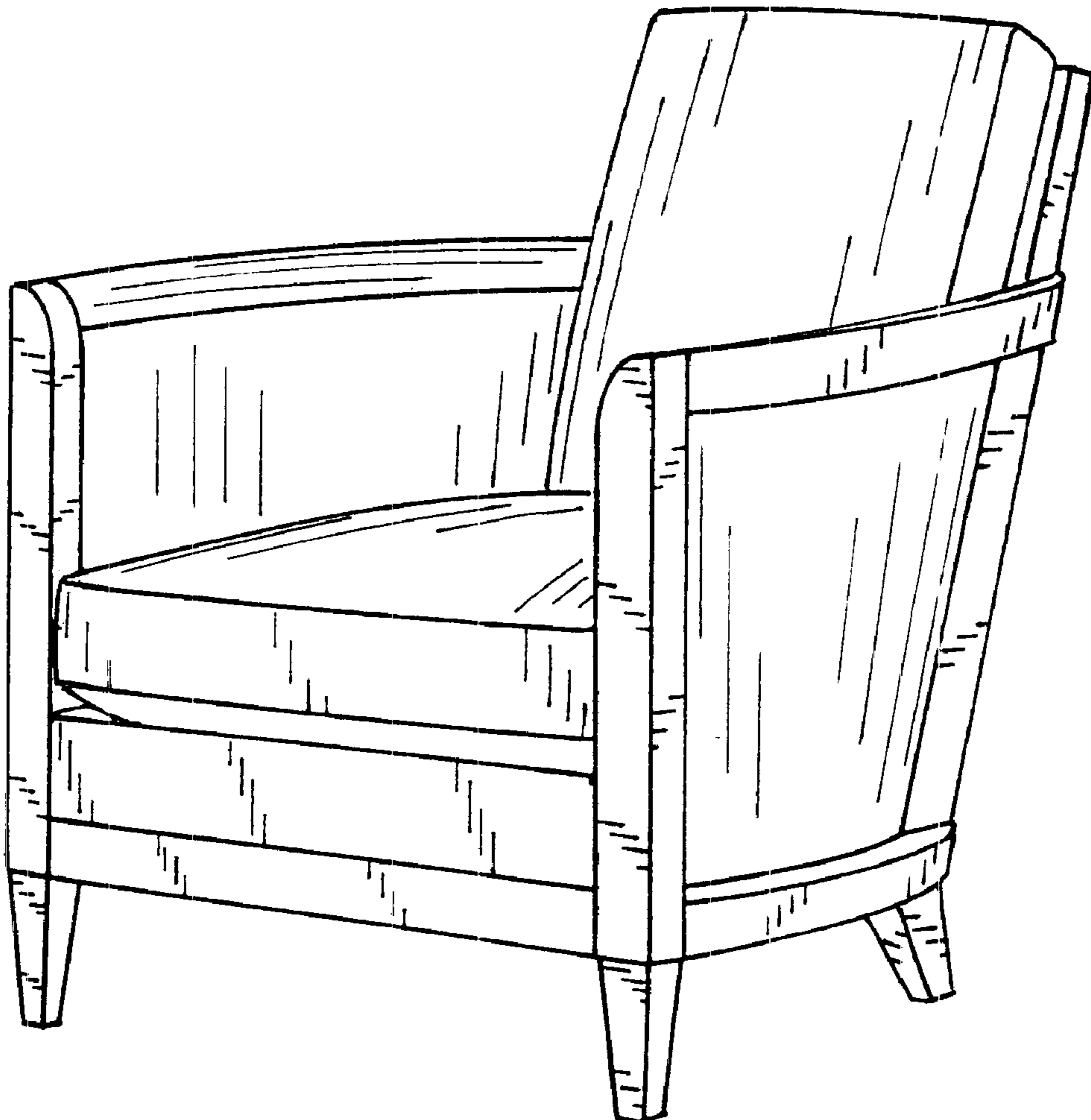


Figure 1

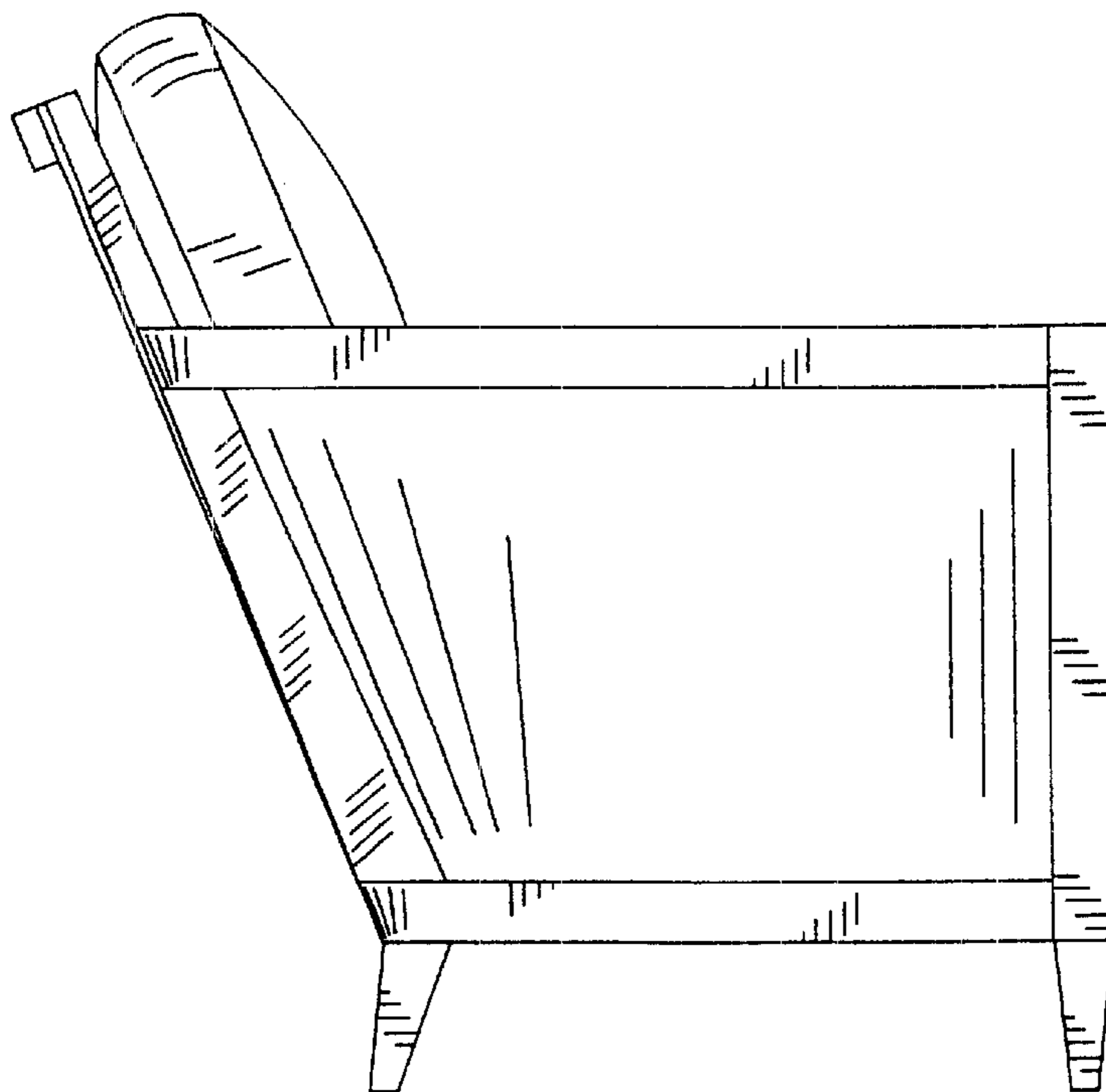
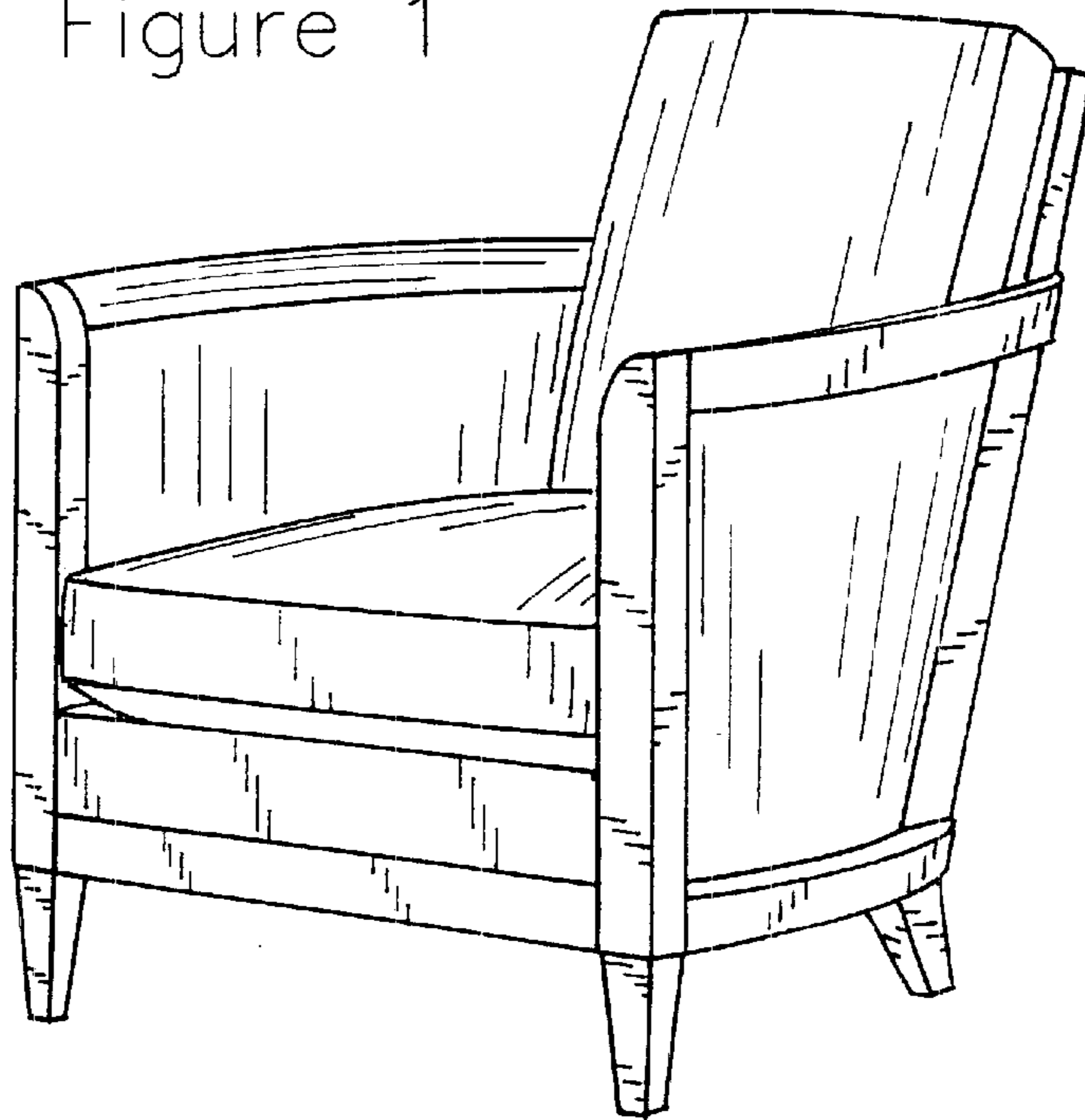


Figure 2

Figure 3

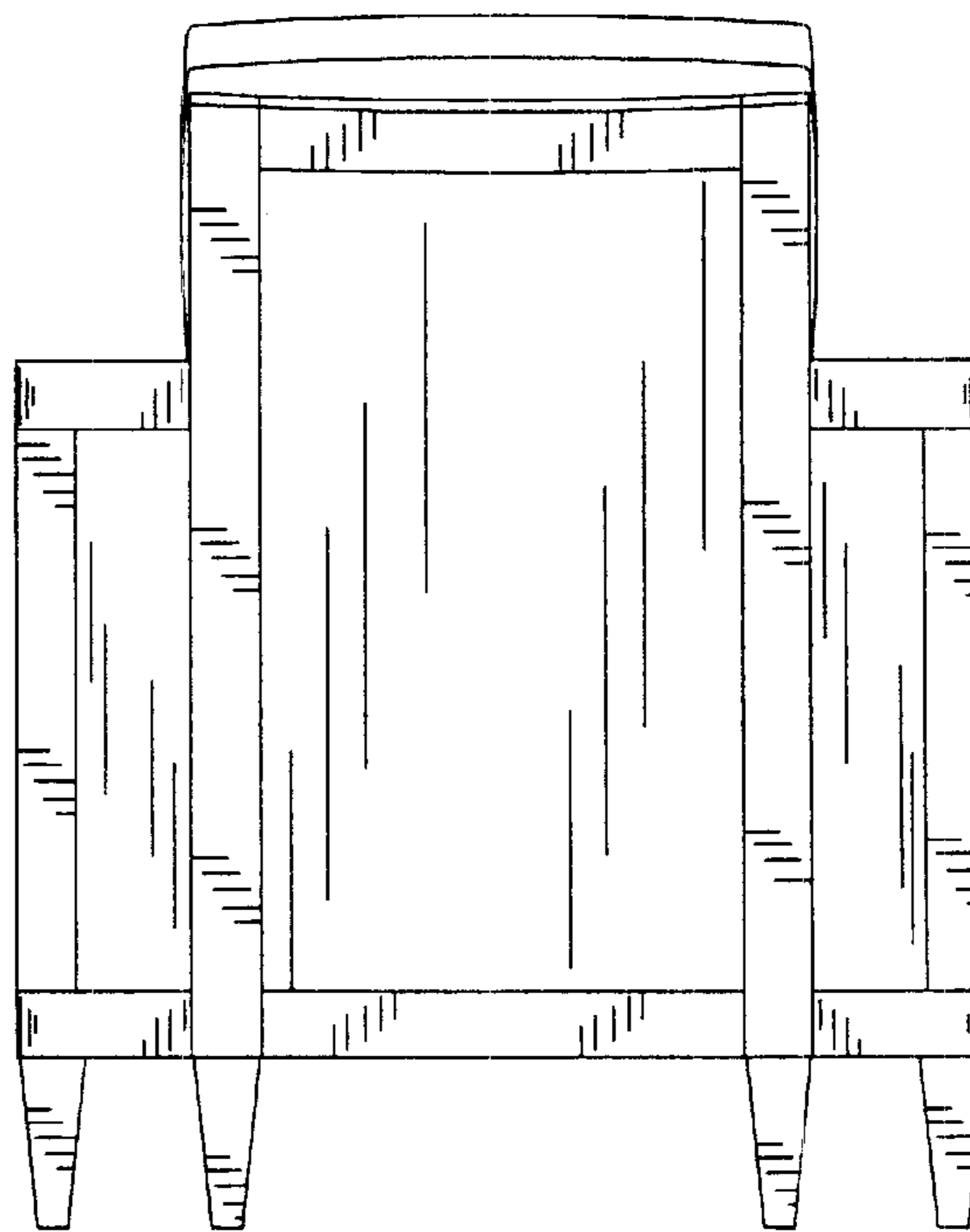
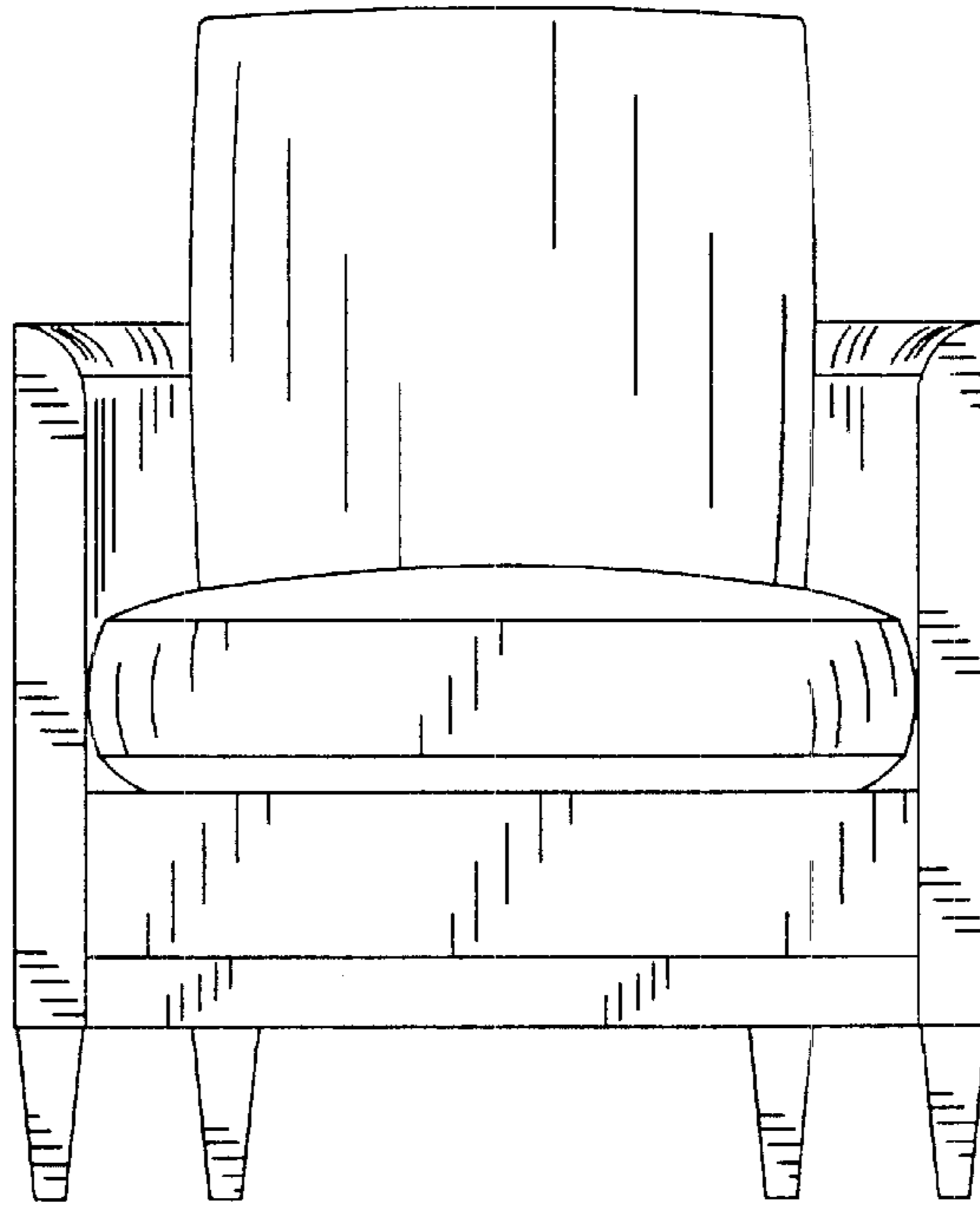


Figure 4

Figure 5

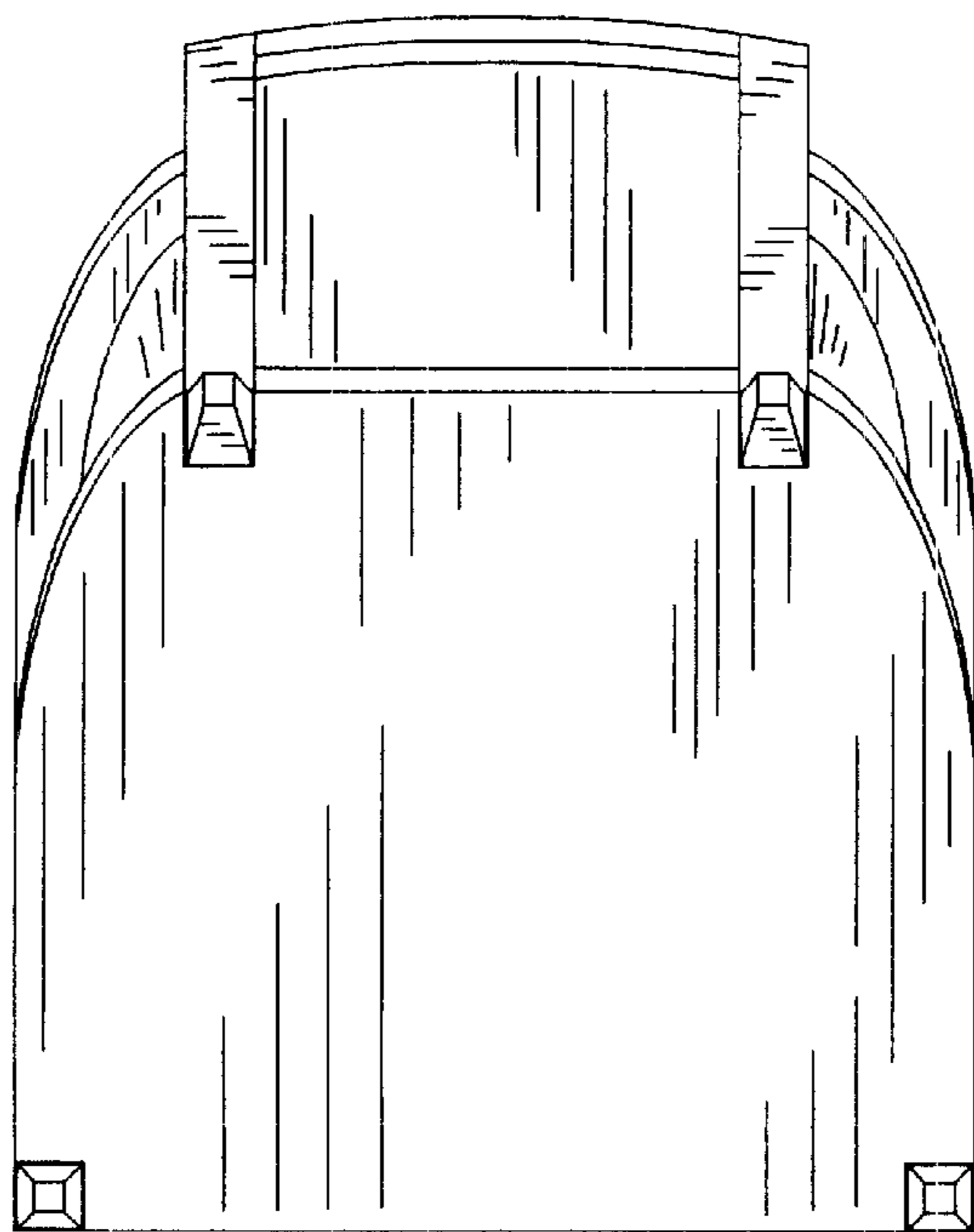
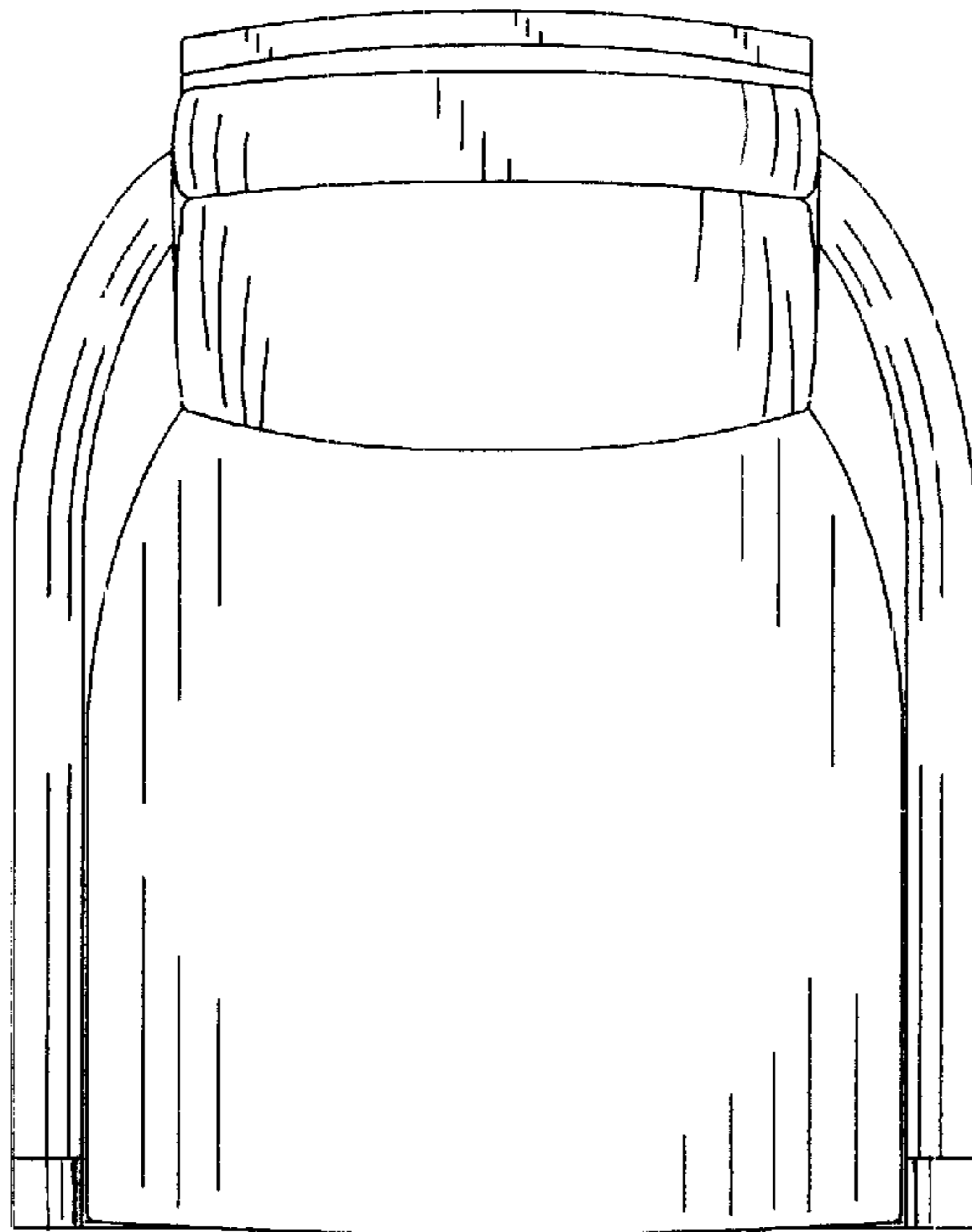


Figure 6