



US00D465340S

(12) **United States Design Patent**  
**Hoernig**

(10) **Patent No.:** **US D465,340 S**

(45) **Date of Patent:** **\*\* Nov. 12, 2002**

(54) **ROBE HOOK**

D436,454 S \* 1/2001 Moore ..... D6/323  
D446,110 S \* 8/2001 McDuff et al. .... D8/367

(75) Inventor: **Victor Hoernig**, Lowell, IN (US)

\* cited by examiner

(73) Assignee: **Bath Unlimited, Inc.**, Fort Mill, SC (US)

*Primary Examiner*—B. J. Bullock

(\*\*) Term: **14 Years**

(74) *Attorney, Agent, or Firm*—Edgar A. Zarins; Lloyd D. Doigan

(21) Appl. No.: **29/142,631**

(57) **CLAIM**

(22) Filed: **May 30, 2001**

The ornamental design for a robe hook, as shown and described.

(51) **LOC (7) Cl.** ..... **06-08**

**DESCRIPTION**

(52) **U.S. Cl.** ..... **D6/323; D8/350; D8/367**

FIG. 1 is a perspective view of a robe hook showing my new design;

(58) **Field of Search** ..... D6/323, 546, 548, D6/550, 567, 569, 572; D8/367, 372, 350, 352, 353; 248/304, 308; 211/106.01; 292/357

FIG. 2 is a front elevational view thereof;

FIG. 3 is a top plan view thereof;

FIG. 4 is a right side view thereof;

FIG. 5 is a left side view thereof;

FIG. 6 is a bottom plan view thereof; and,

FIG. 7 is a rear elevational view thereof.

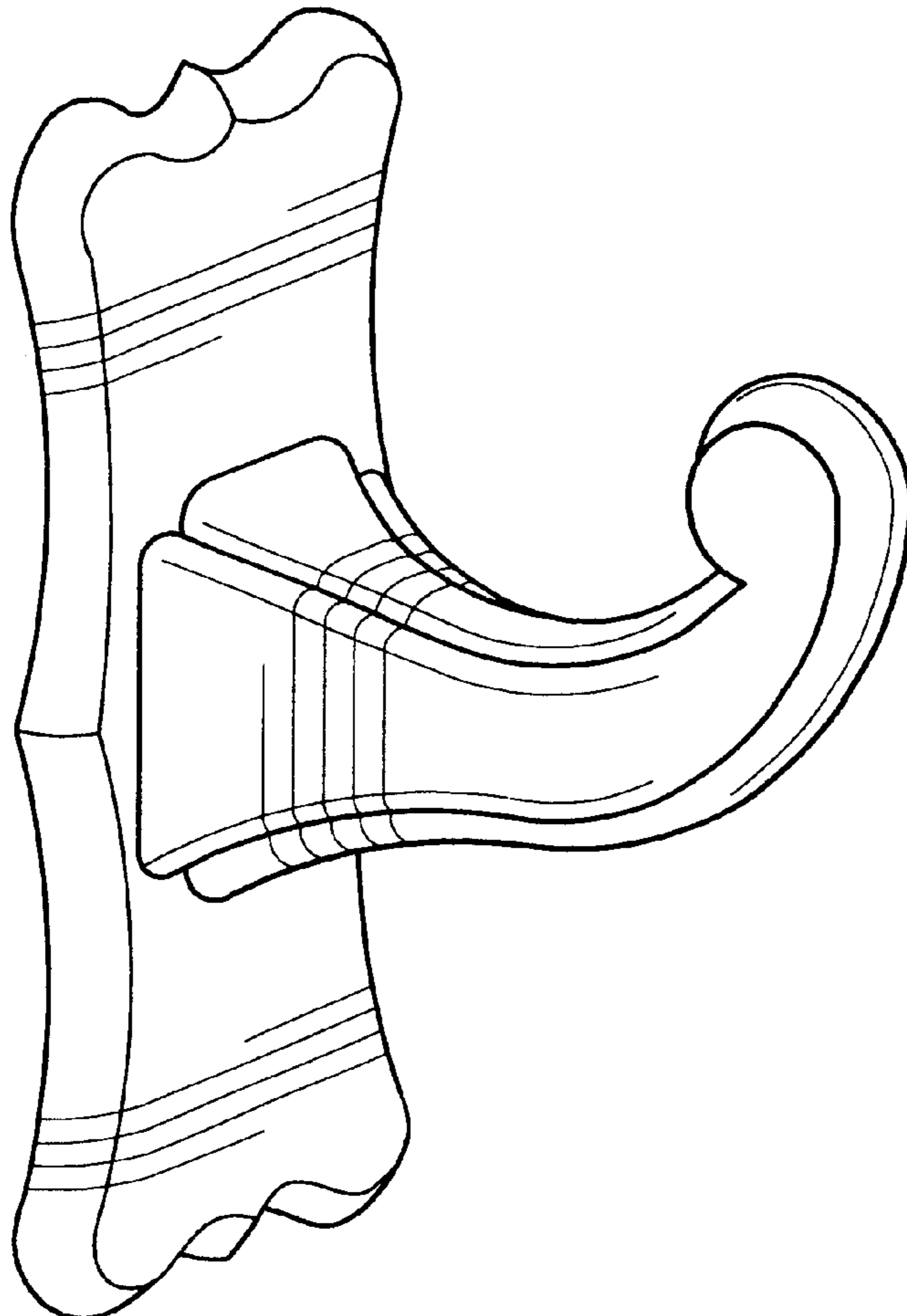
FIGS. 2-7 are shown on an enlarged scale.

(56) **References Cited**

**U.S. PATENT DOCUMENTS**

924,801 A \* 6/1909 Lockwood ..... 292/357  
D70,241 S \* 5/1926 Schwerin ..... D8/350  
1,741,653 A \* 12/1929 Palmer ..... 292/357  
D390,014 S \* 2/1998 Ho ..... D6/323

**1 Claim, 3 Drawing Sheets**



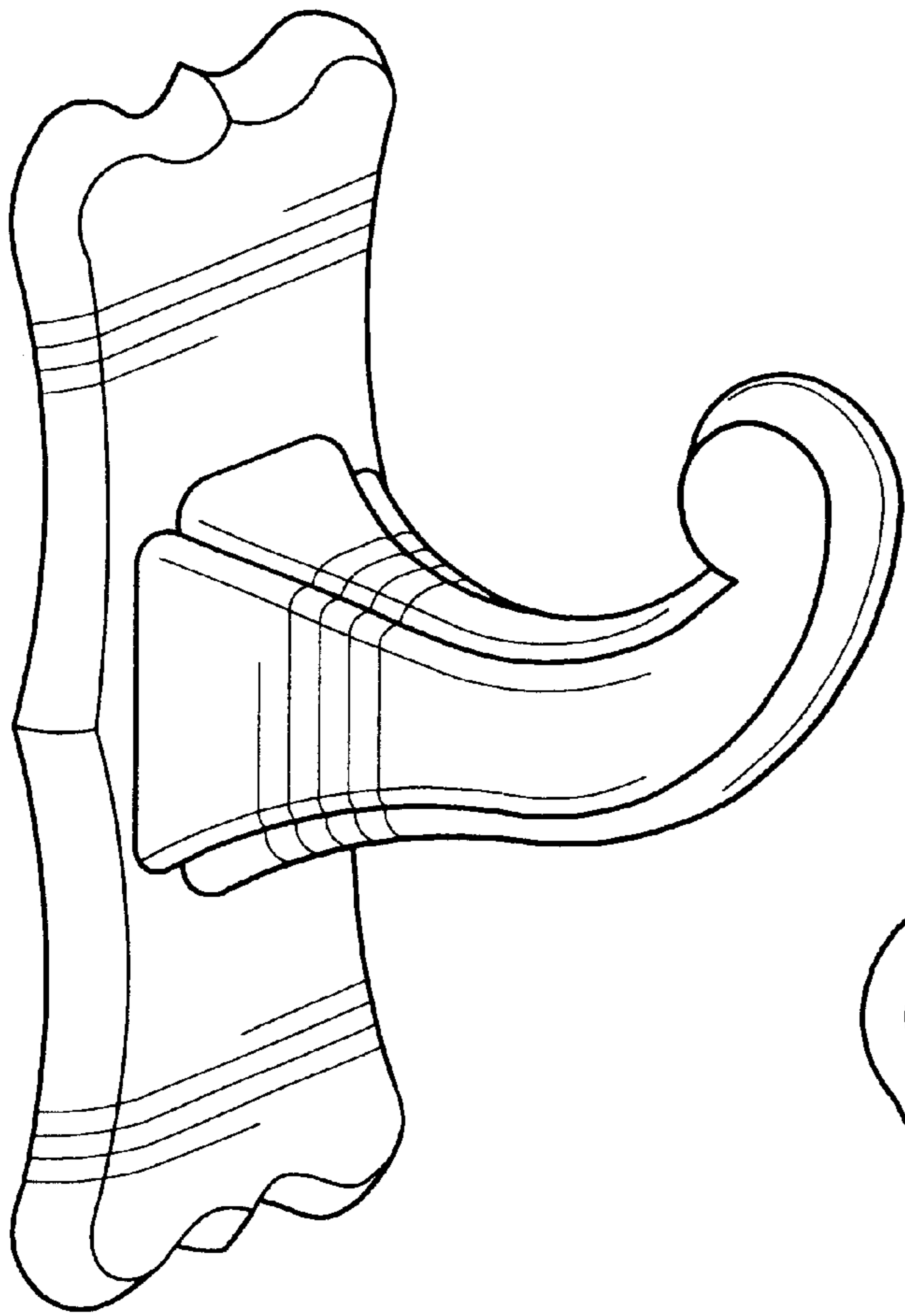
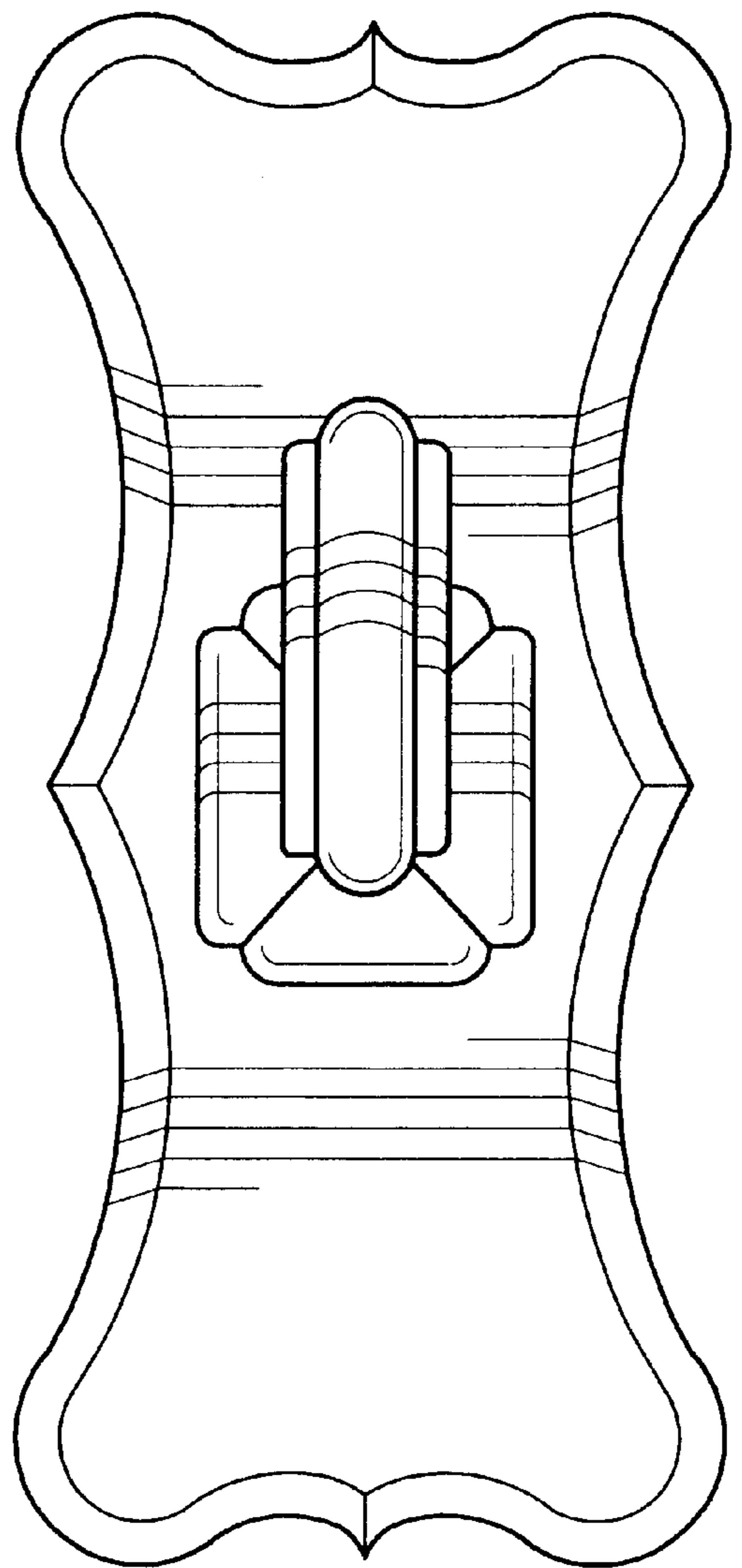


Fig-1

Fig-2



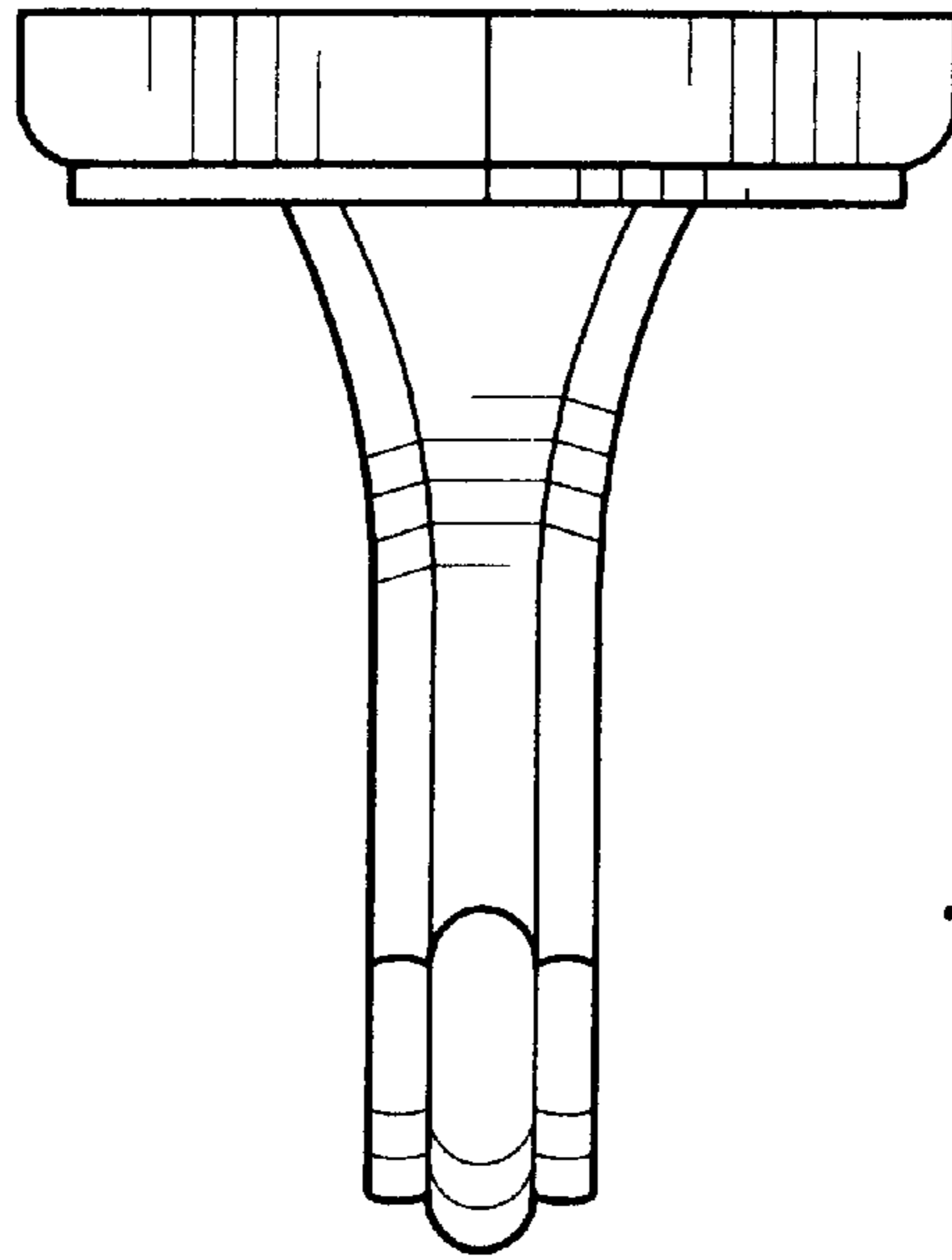


Fig-3

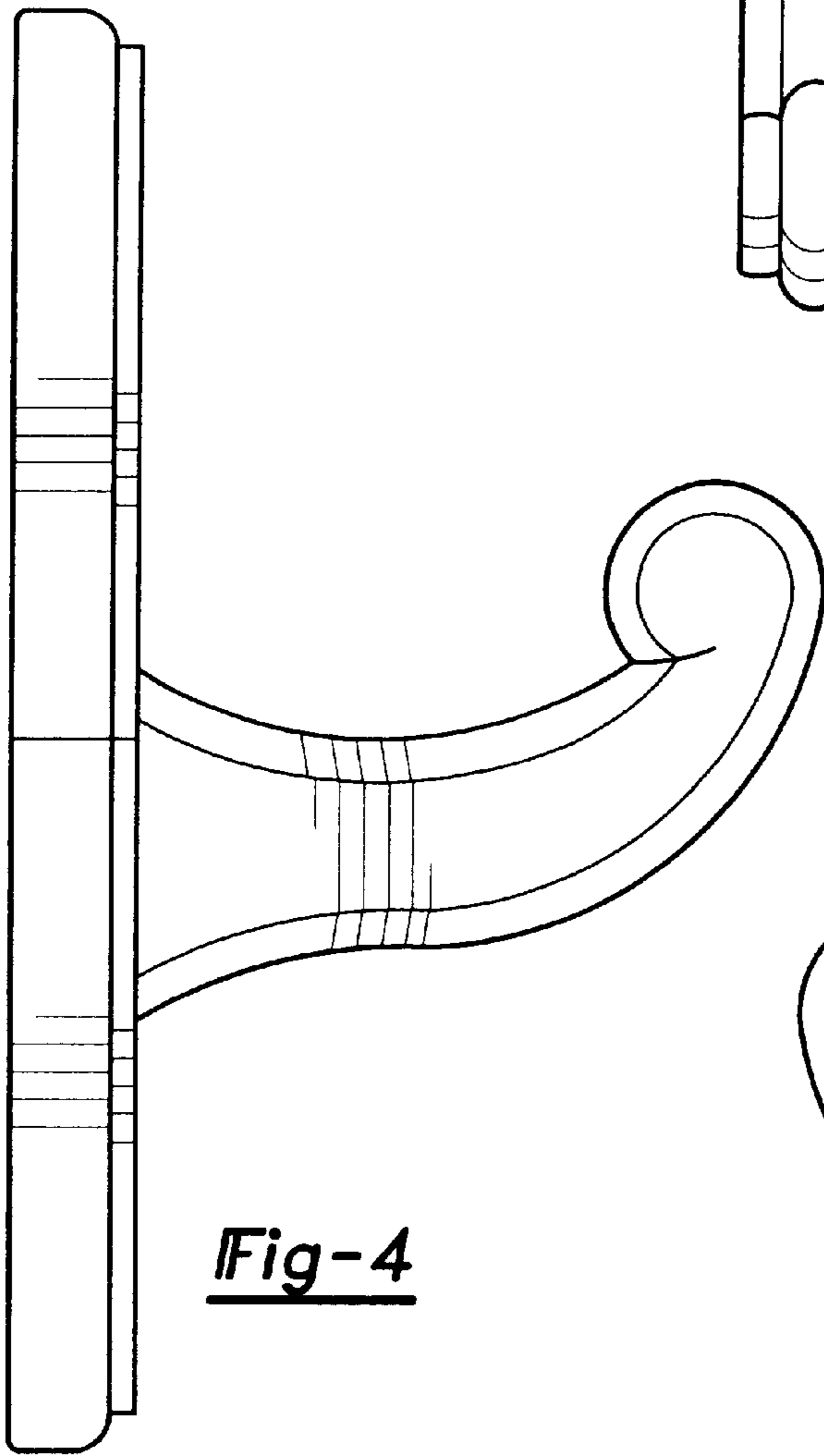


Fig-4

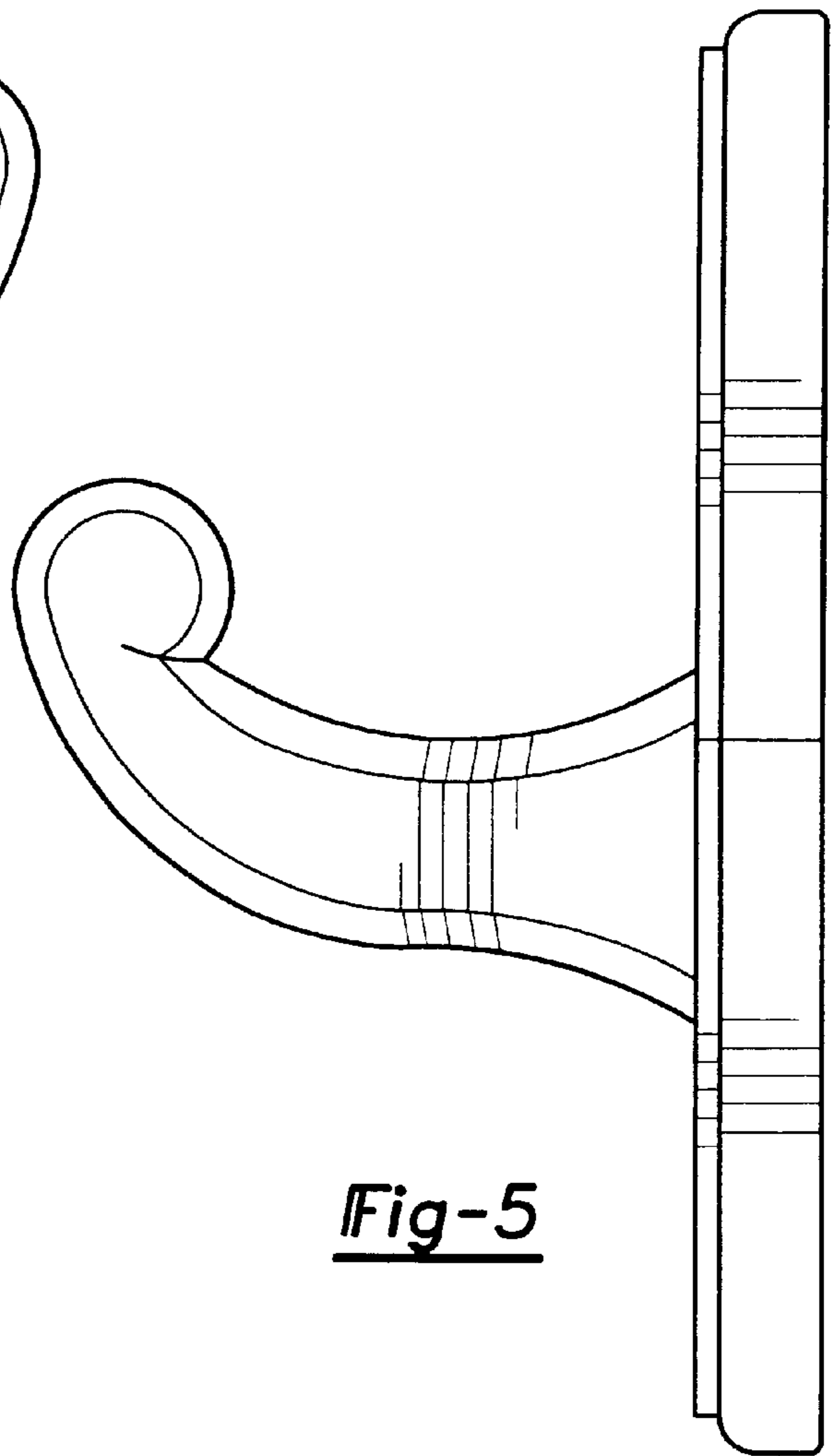


Fig-5

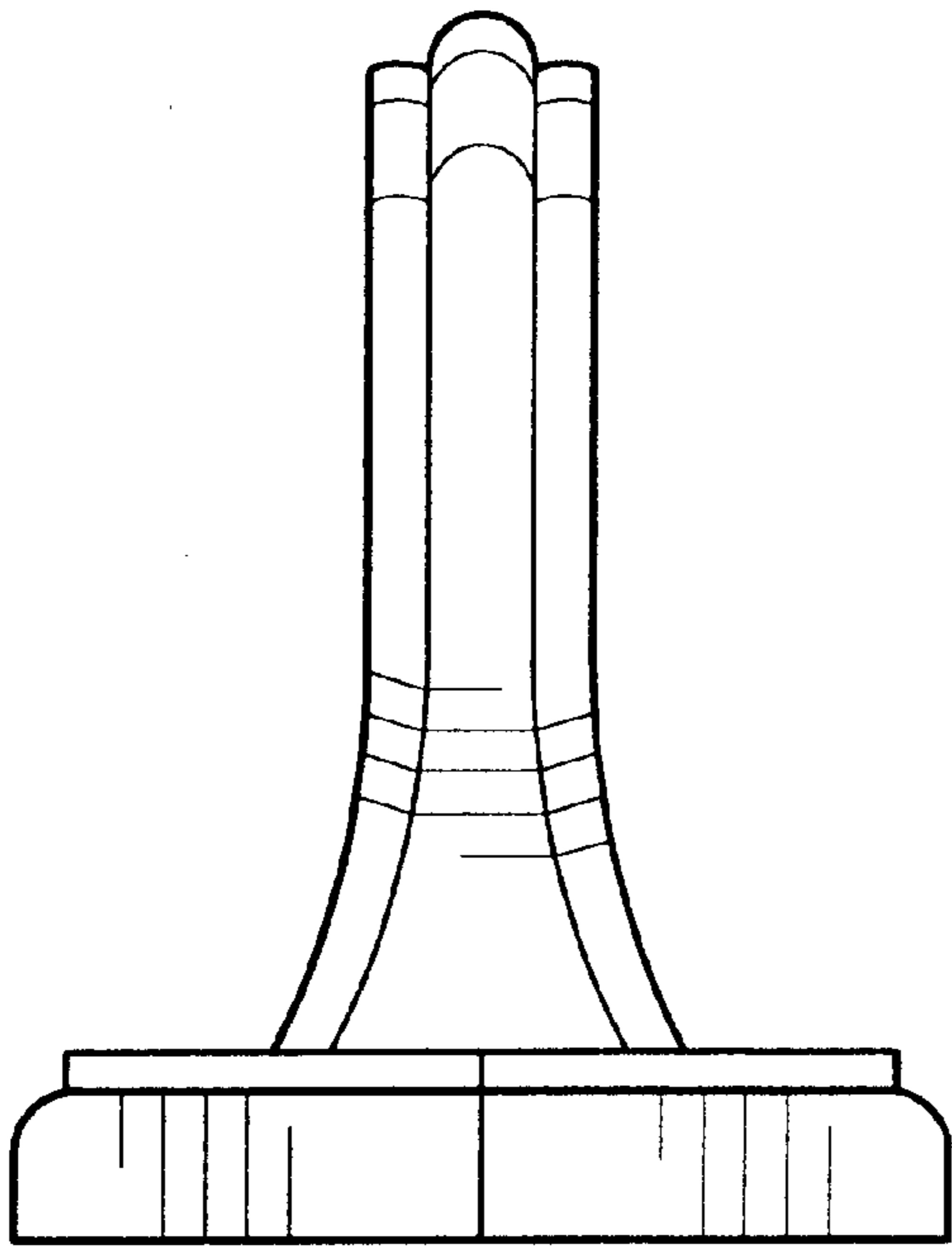


Fig-6

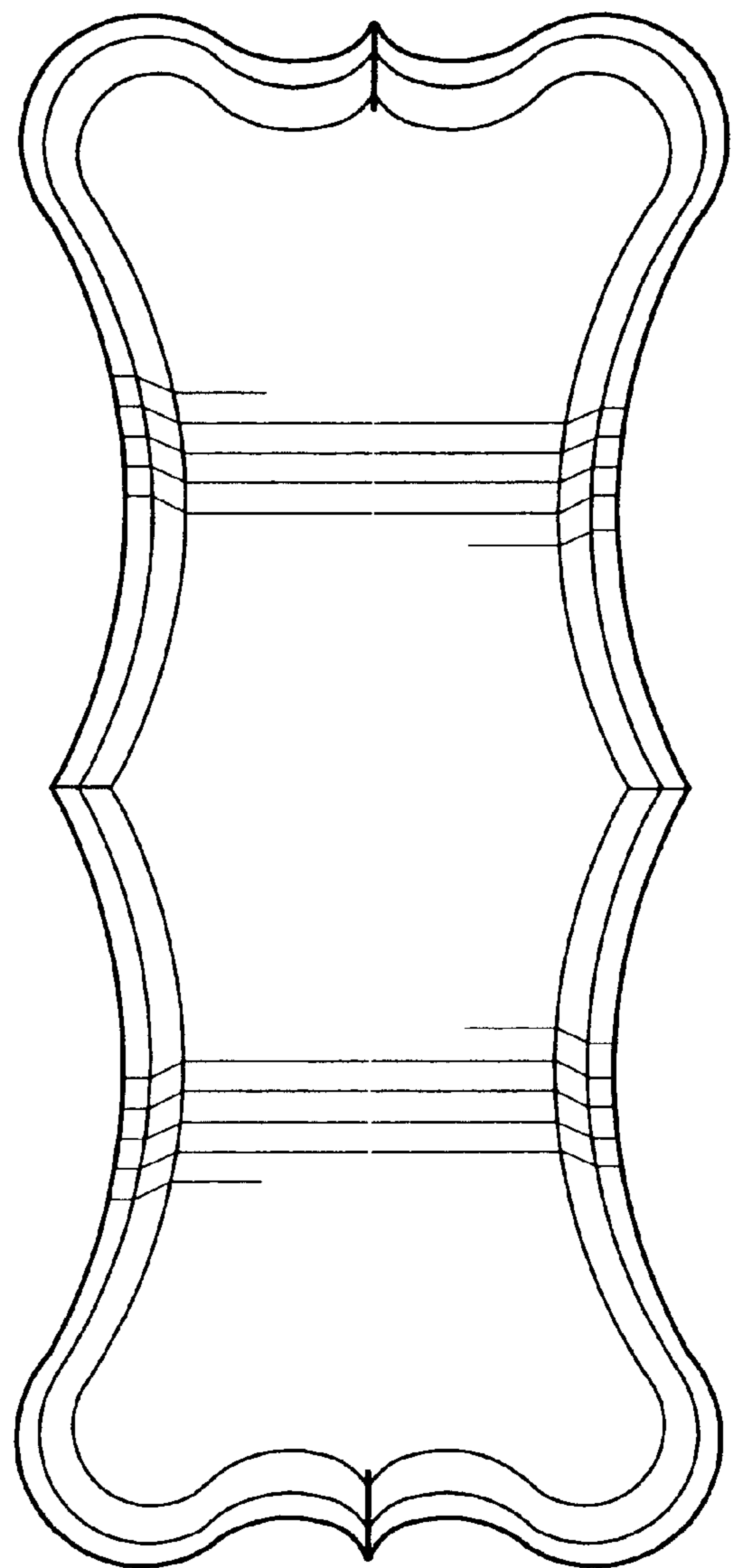


Fig-7