



US00D465333S

(12) **United States Design Patent**  
**Chen**

(10) **Patent No.:** **US D465,333 S**

(45) **Date of Patent:** **\*\* Nov. 12, 2002**

(54) **PROTECTIVE STRIP FOR SUITCASE**

6,357,568 B1 \* 3/2002 Chen ..... 190/37  
D456,993 S \* 5/2002 Lin ..... D3/279

(76) Inventor: **Wei Chih Chen**, No. 59, Herng Jun Street, Da Gia Town, Taichung Hsien (TW), 437

\* cited by examiner

(\*\*) Term: **14 Years**

*Primary Examiner*—Doris Clark  
*Assistant Examiner*—Robert A. Delehanty  
(74) *Attorney, Agent, or Firm*—Charles E. Baxley

(21) Appl. No.: **29/146,688**

(57) **CLAIM**

(22) Filed: **Aug. 15, 2001**

The ornamental design for a protective strip for suitcase, as shown and described.

(51) **LOC (7) Cl.** ..... **03-99**

(52) **U.S. Cl.** ..... **D3/322**

(58) **Field of Search** ..... D3/318, 321–322, D3/273, 276, 279, 282, 291; 206/280; 190/18 A, 25, 37, 115, 127

**DESCRIPTION**

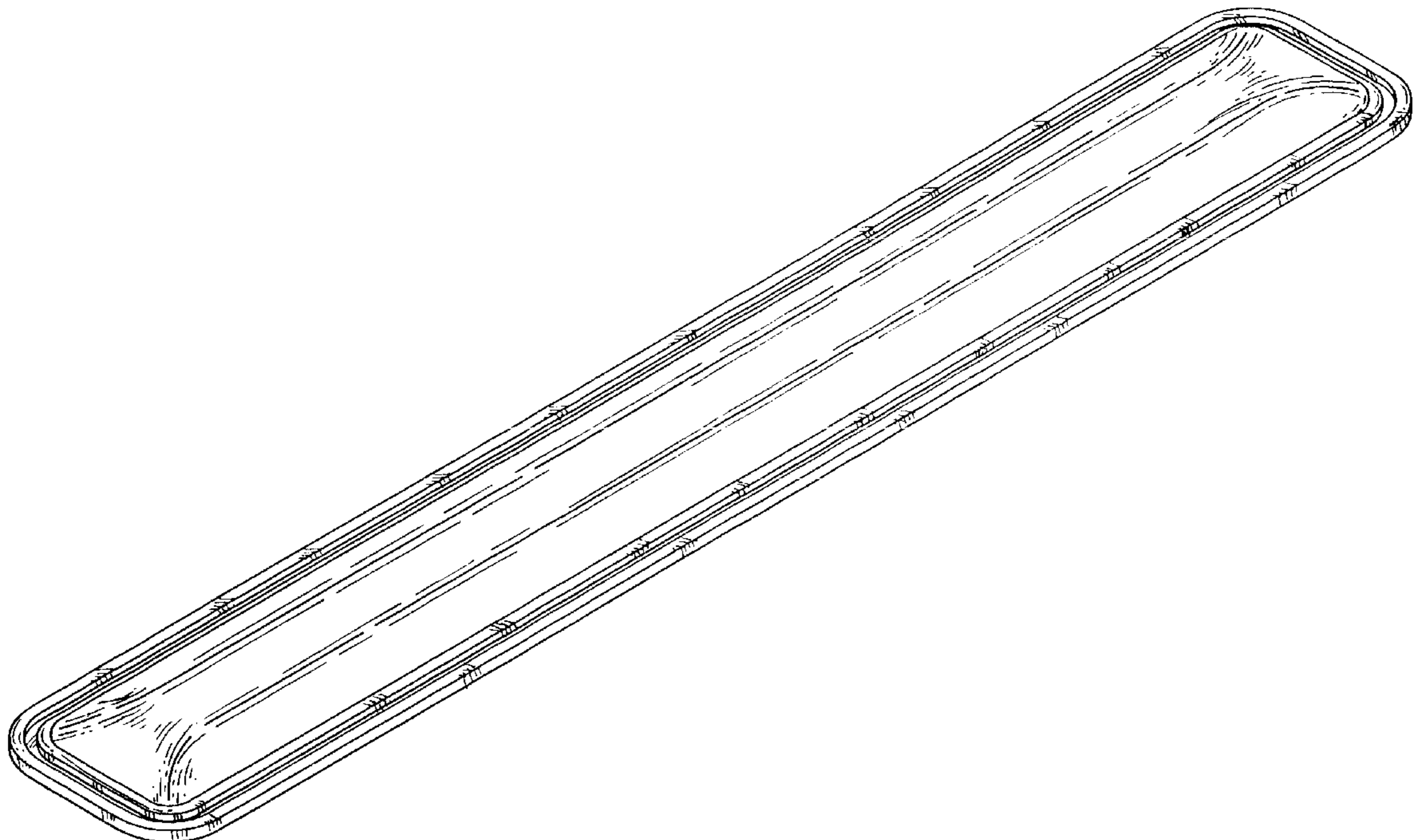
(56) **References Cited**

**U.S. PATENT DOCUMENTS**

D114,962 S	*	5/1939	Ortner	.....	D3/321
2,510,643 A	*	6/1950	Long	.....	190/115 X
3,447,649 A	*	6/1969	Kish	.....	190/127
4,163,484 A	*	8/1979	Delaney	.....	190/37 X
4,813,521 A	*	3/1989	Goldstone	.....	190/120
D423,781 S	*	5/2000	Wei-Chih	.....	D3/318
6,286,645 B1	*	9/2001	Chen	.....	190/25 X
6,325,189 B1	*	12/2001	King et al.	.....	190/119

FIG. 1 is a perspective view of a protective strip for suitcase showing my new design;  
FIG. 2 is a front elevational view thereof;  
FIG. 3 is a rear elevational view thereof;  
FIG. 4 is a top plan view thereof;  
FIG. 5 is a bottom plan view thereof; and  
FIG. 6 is a left side elevational view thereof;  
FIG. 7 is a right side elevational view thereof; and,  
FIG. 8 is a perspective view of the strip shown on a reduced scale in condition of use on a suitcase, the suitcase being shown in broken lines and forming no part of the claimed design.

**1 Claim, 4 Drawing Sheets**



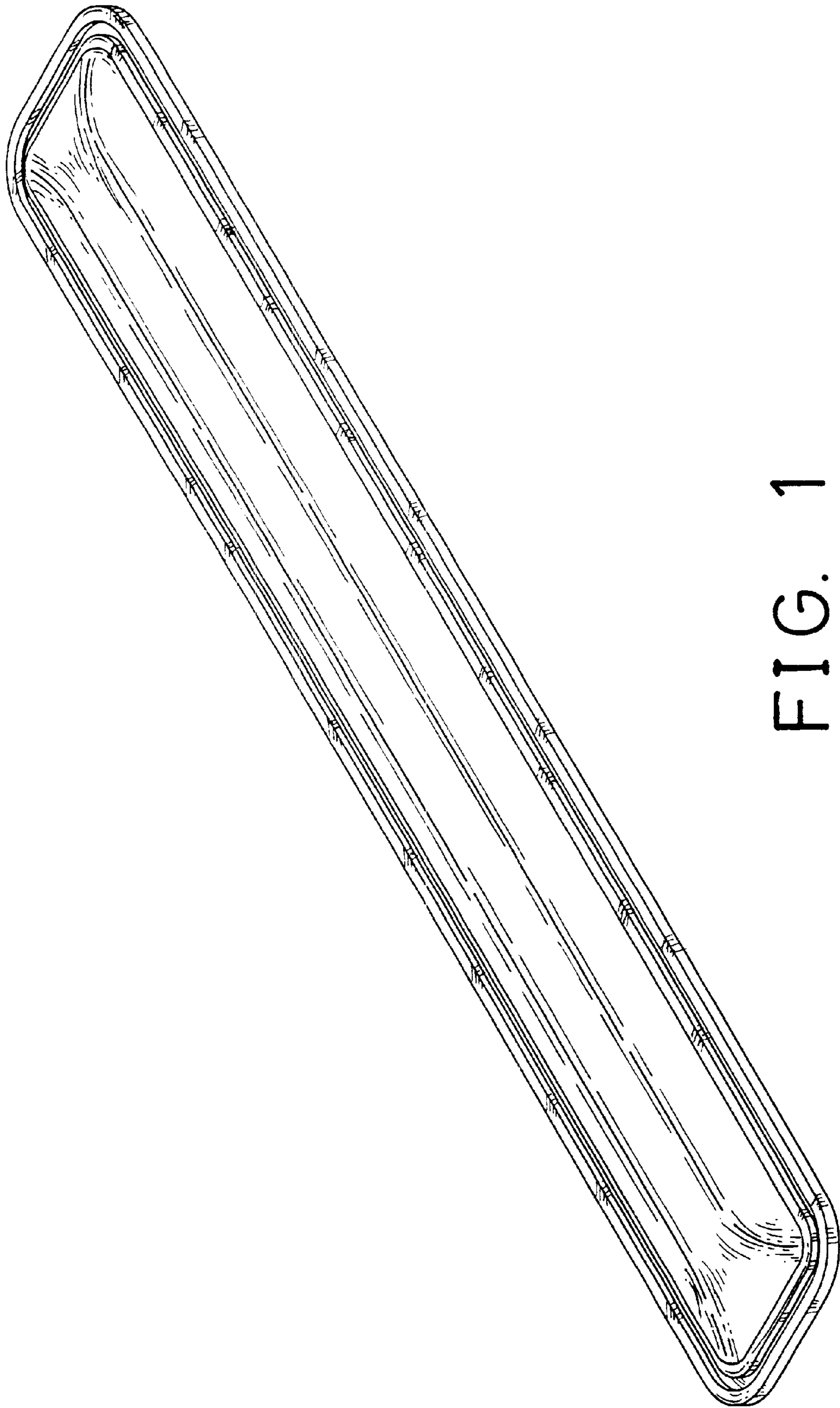


FIG. 1



FIG. 2

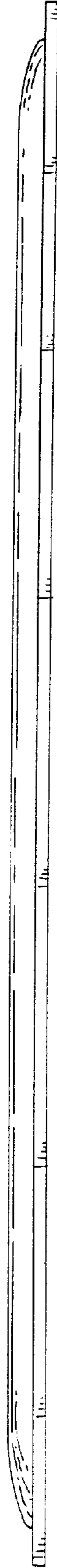


FIG. 3

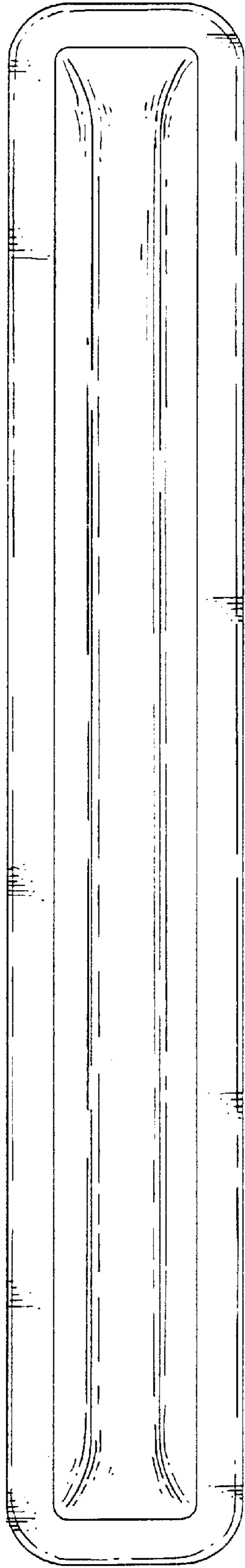


FIG. 5

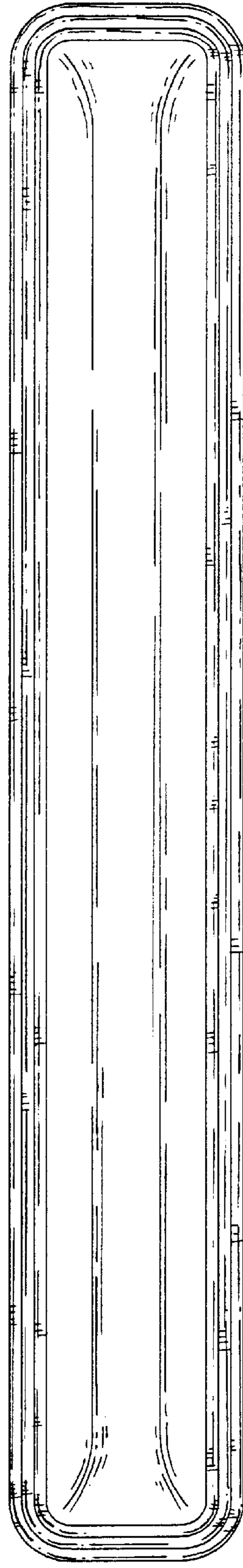


FIG. 4

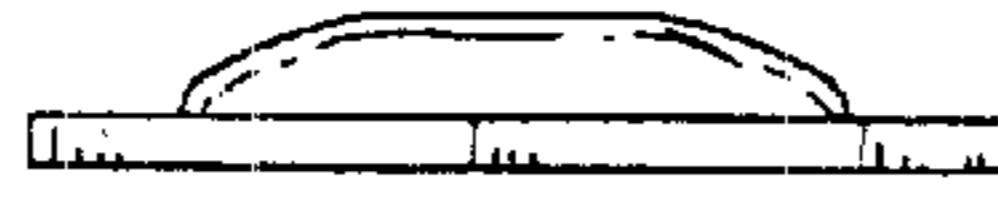


FIG. 6

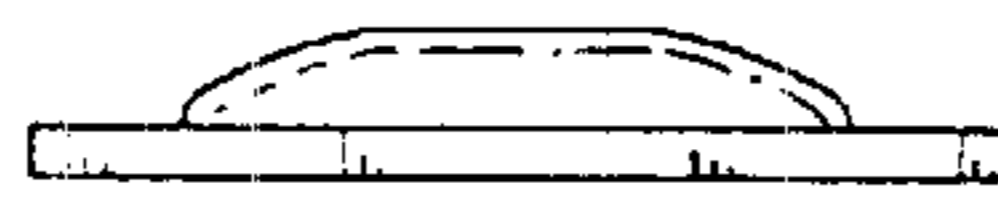


FIG. 7

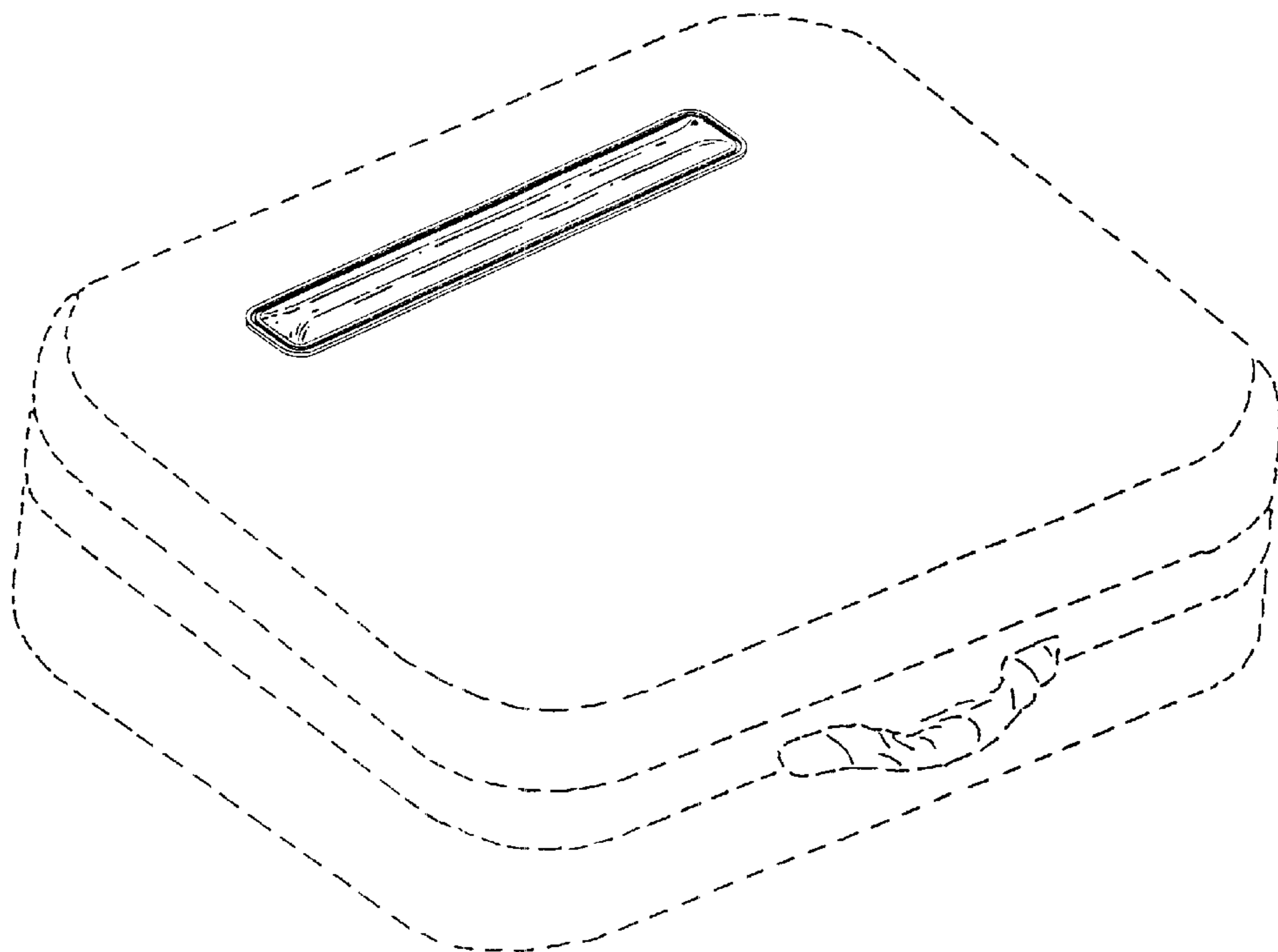


FIG. 8