



US00D465331S

(12) **United States Design Patent**
Shapiro

(10) **Patent No.:** **US D465,331 S**

(45) **Date of Patent:** **** Nov. 12, 2002**

(54) **EXPANDABLE FILE PORTFOLIO**

5,064,069 A * 11/1991 Su 190/900

(75) Inventor: **Bruce Shapiro**, Highland Park, IL (US)

(73) Assignee: **It's Academic of Illinois, Inc.**

(**) Term: **14 Years**

(21) Appl. No.: **29/145,818**

(22) Filed: **Jul. 30, 2001**

Related U.S. Application Data

(62) Division of application No. 29/126,995, filed on Jul. 28, 2000, now Pat. No. Des. 449,166.

(51) **LOC (7) Cl.** **03-01**

(52) **U.S. Cl.** **D3/303**

(58) **Field of Search** D3/303, 290, 299, D3/900; 281/28, 29, 31, 45; 229/67.1, 67.3, 67.4; D19/75, 86, 99, 26, 27, 90; 206/214, 215, 425, 450, 472 L, 473, 475; 190/109, 900

(56) **References Cited**

U.S. PATENT DOCUMENTS

282,275 A * 7/1883 Cooke, Jr. 206/425
635,582 A * 10/1899 Pedrick 206/425
2,319,127 A * 5/1943 Guenther et al. 190/109

OTHER PUBLICATIONS

Miller's Office Products 1997—p. 560 Expanding files.*

* cited by examiner

Primary Examiner—Louis S. Zarfes

Assistant Examiner—Deanne Levy

(74) *Attorney, Agent, or Firm*—Wood, Phillips, Katz, Clark & Mortimer

(57) **CLAIM**

The ornamental design for an expandable file portfolio, substantially as shown and described.

DESCRIPTION

FIG. 1 is a perspective view of a expandable file portfolio showing my new design;
FIG. 2 is a top plan view thereof;
FIG. 3 is a front elevational view thereof;
FIG. 4 is a right side elevational view thereof, the left side elevational view being the mirror image thereof;
FIG. 5 is a bottom plan view thereof
FIG. 6 is a rear elevational view thereof;
FIG. 7 is an enlarged view of a portion of FIG. 6 showing the texture of the surface; and,
FIG. 8 is a perspective view thereof in an open position.

1 Claim, 2 Drawing Sheets

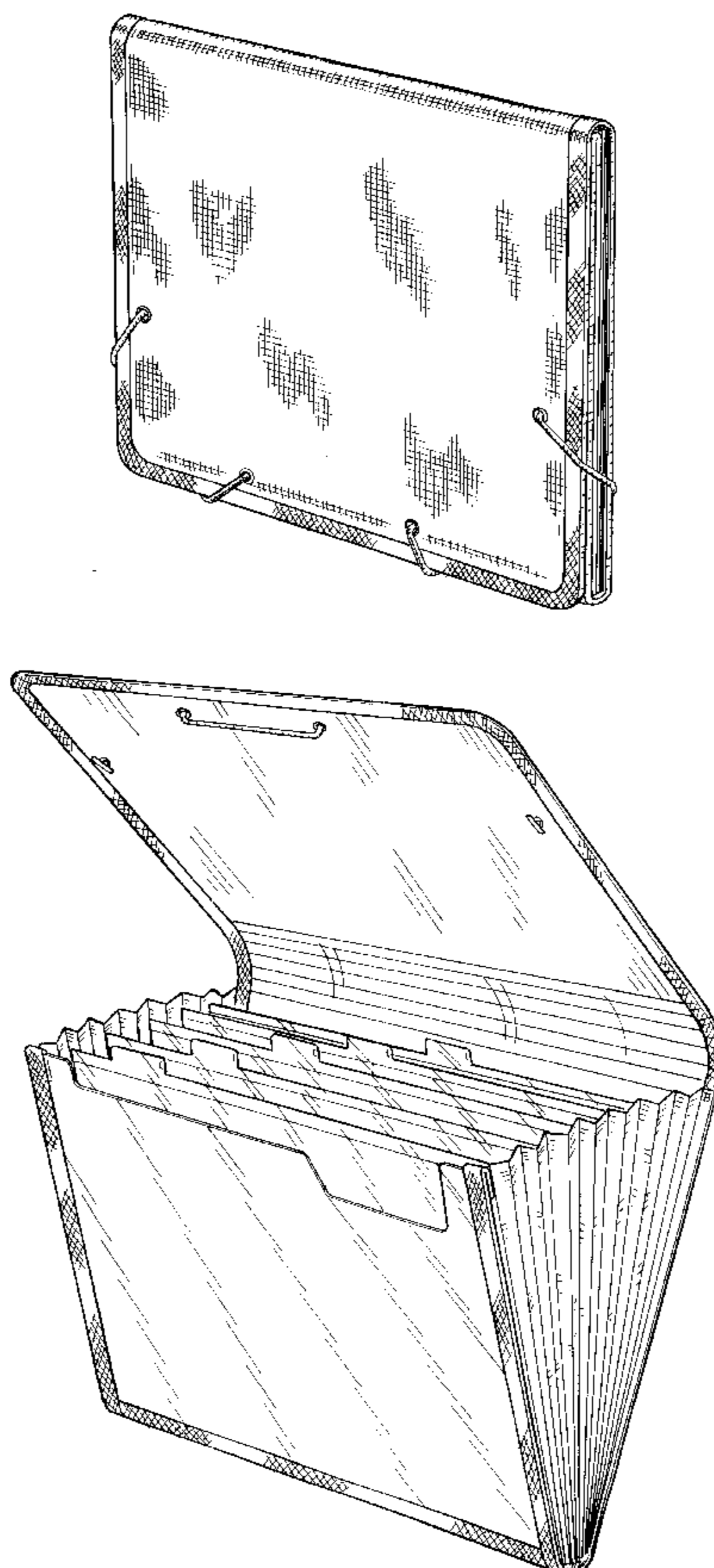


FIG. 1

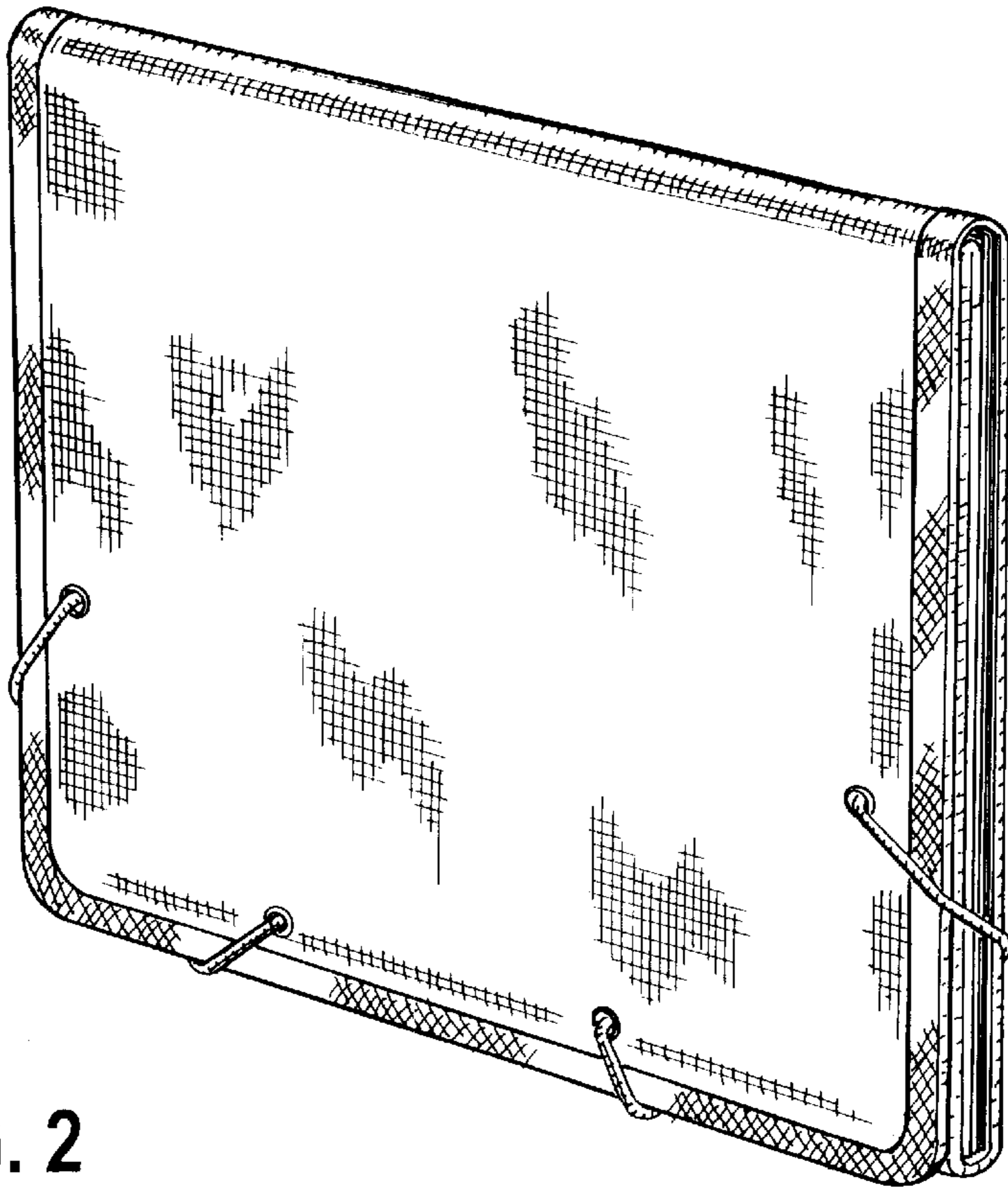


FIG. 2

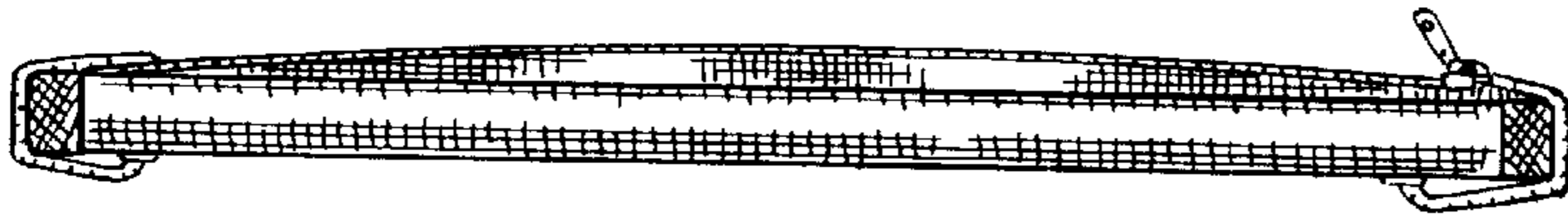


FIG. 3

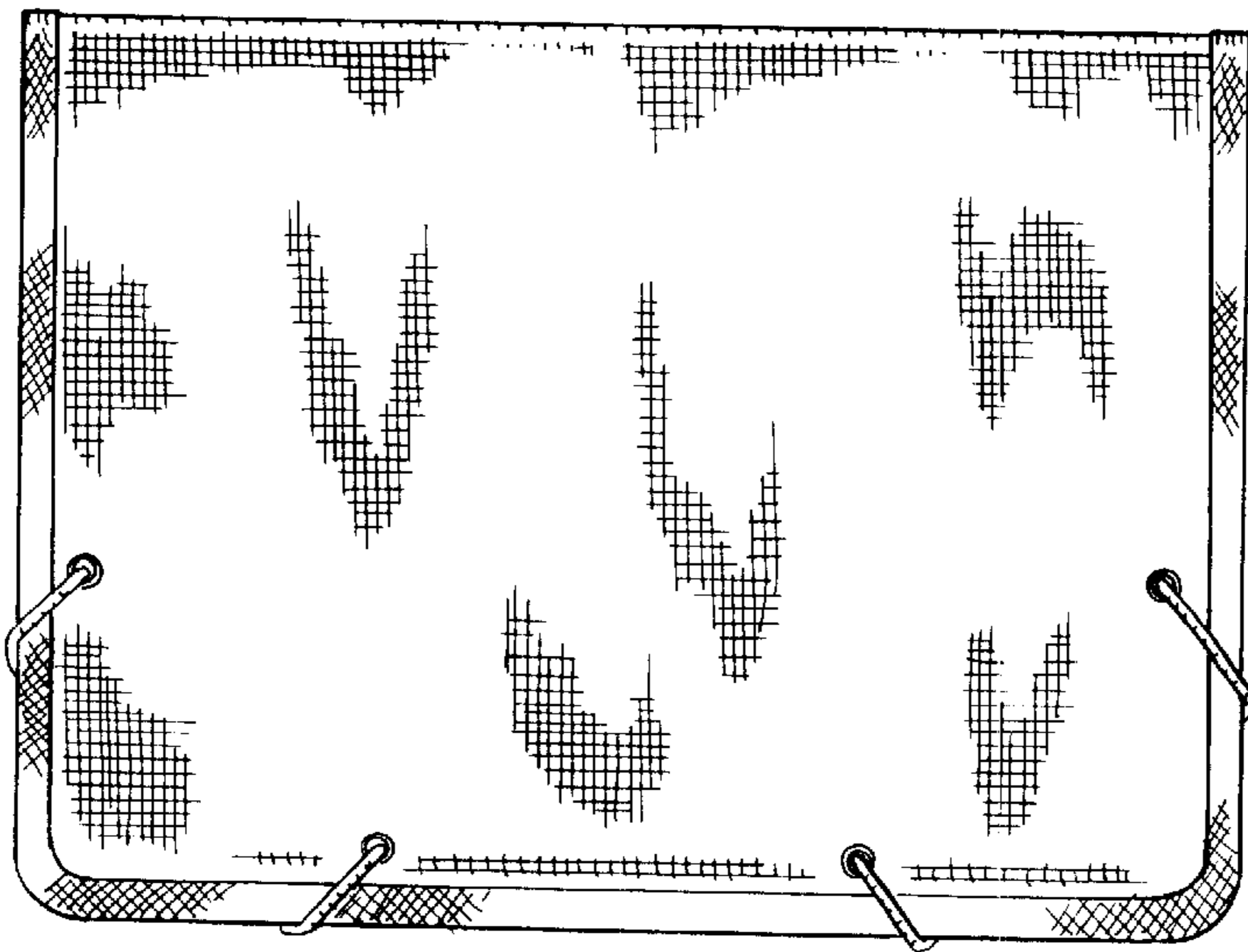


FIG. 4

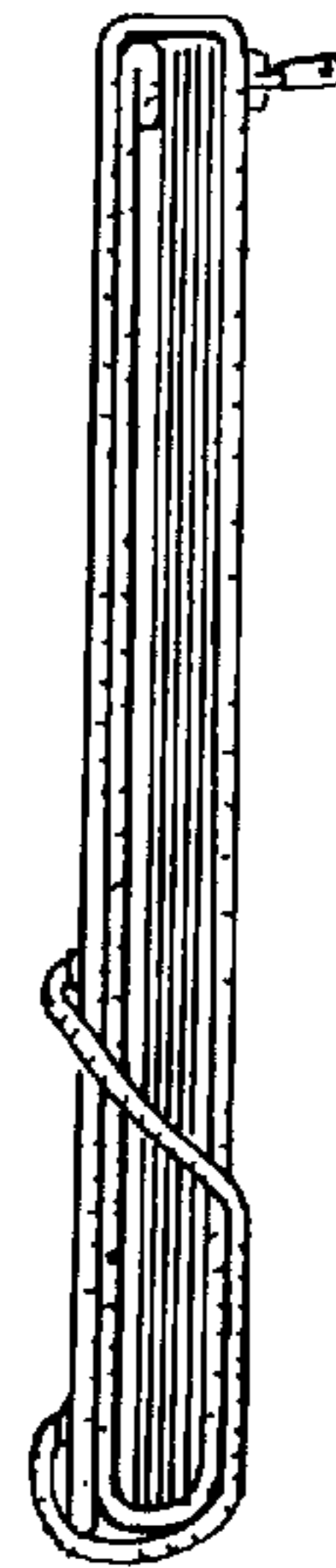


FIG. 5

