



US00D465330S

(12) **United States Design Patent**  
**Parker**

(10) **Patent No.:** **US D465,330 S**

(45) **Date of Patent:** **\*\* Nov. 12, 2002**

(54) **PROTECTOR CASE**

(75) Inventor: **David H. Parker**, Torrance, CA (US)

(73) Assignee: **Pelican Products, Inc.**, Torrance, CA (US)

(\*\*) Term: **14 Years**

(21) Appl. No.: **29/151,644**

(22) Filed: **Dec. 7, 2001**

(51) **LOC (7) Cl.** ..... **03-01**

(52) **U.S. Cl.** ..... **D3/273; D3/294; D3/201**

(58) **Field of Search** ..... **D3/201, 272, 273, D3/276, 281, 282, 294; D9/420, 423, 424; 206/349, 372, 373, 508, 518; 220/334, 338, 344**

(56) **References Cited**

**U.S. PATENT DOCUMENTS**

|            |   |         |                   |       |        |
|------------|---|---------|-------------------|-------|--------|
| D275,822 S | * | 10/1984 | Gatland et al.    | ..... | D3/282 |
| D347,324 S | * | 5/1994  | Dickinson         | ..... | D3/272 |
| D353,048 S | * | 12/1994 | VanSkiver et al.  | ..... | D3/273 |
| D413,202 S | * | 8/1999  | Schmitt et al.    | ..... | D3/276 |
| D413,203 S | * | 8/1999  | Zurwelle et al.   | ..... | D3/276 |
| D419,297 S | * | 1/2000  | Richardson et al. | ..... | D3/273 |
| D419,767 S | * | 2/2000  | Richardson et al. | ..... | D3/273 |
| D419,768 S | * | 2/2000  | Richardson et al. | ..... | D3/273 |
| D423,772 S | * | 5/2000  | Cooper et al.     | ..... | D3/201 |
| D429,884 S | * | 8/2000  | Zurwelle et al.   | ..... | D3/276 |
| D439,407 S | * | 3/2001  | Parker            | ..... | D3/276 |

\* cited by examiner

*Primary Examiner*—Philip S. Hyder

(74) *Attorney, Agent, or Firm*—Oppenheimer Wolff & Donnelly, LLP

(57) **CLAIM**

The ornamental design for a protector case, as shown and described.

**DESCRIPTION**

FIG. 1 is a top front perspective view of the protector case; FIG. 2 is a top plan view of the case;

FIG. 3 is a bottom plan of the case;  
 FIG. 4 is a front view of the case;  
 FIG. 5 is a rear view of the case;  
 FIG. 6 is a side view of the case;  
 FIG. 7 is an opposite side view of the case;  
 FIG. 8 is a top front perspective view of an alternate embodiment of the protector case;  
 FIG. 9 is a top plan view of the alternate embodiment of FIG. 8;  
 FIG. 10 is a bottom plan of the alternate embodiment of FIG. 8;  
 FIG. 11 is a front view of the alternate embodiment of FIG. 8;  
 FIG. 12 is a rear view of the alternate embodiment of FIG. 8;  
 FIG. 13 is a side view of the alternate embodiment of FIG. 8;  
 FIG. 14 is an opposite side view of the alternate embodiment of FIG. 8;  
 FIG. 15 is a top front perspective view of a second alternate embodiment of the protector case;  
 FIG. 16 is a top plan view of the alternate embodiment of FIG. 15;  
 FIG. 17 is a bottom plan of the alternate embodiment of FIG. 15;  
 FIG. 18 is a front view of the alternate embodiment of FIG. 15;  
 FIG. 19 is a rear view of the alternate embodiment of FIG. 15;  
 FIG. 20 is a side view of the alternate embodiment of FIG. 15;  
 FIG. 21 is an opposite side view of the alternate embodiment of FIG. 15;  
 FIG. 22 is a top front perspective view of a third alternate embodiment of the protector case;  
 FIG. 23 is a top plan view of the case of an alternative embodiment of the case of FIG. 22;  
 FIG. 24 is a bottom plan of the case of an alternative embodiment of the case of FIG. 22;  
 FIG. 25 is a front view of the case of an alternative embodiment of the case of FIG. 22;  
 FIG. 26 is a rear view of the case of an alternative embodiment of the case of FIG. 22;

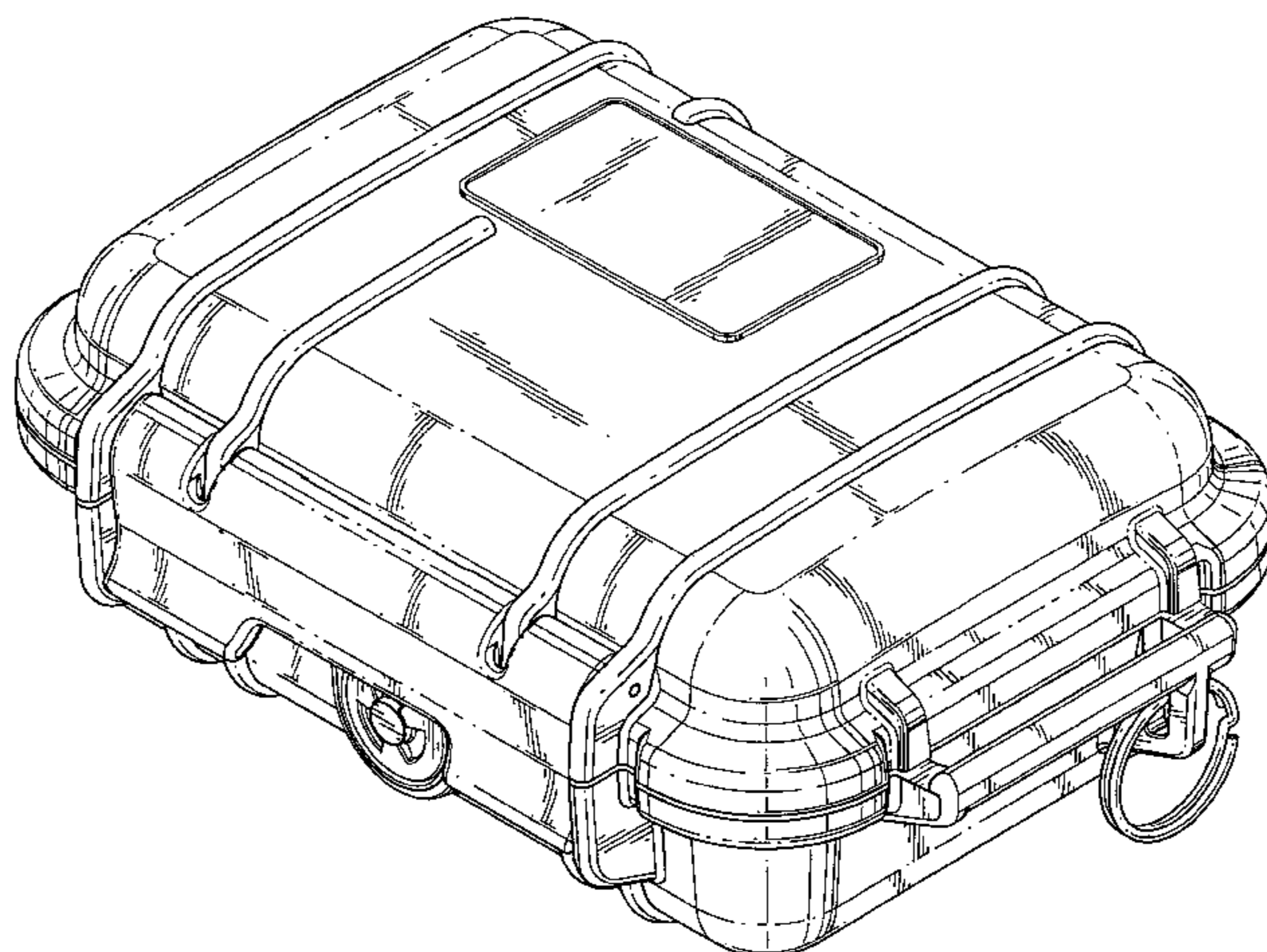


FIG. 27 is a side view of the case of an alternative embodiment of the case of FIG. 22;

FIG. 28 is an opposite side view of the case of an alternative embodiment of the case of FIG. 22;

FIG. 29 is a top front perspective view of a fourth alternate embodiment of the protector case;

FIG. 30 is a top plan view of the alternate embodiment of FIG. 29;

FIG. 31 is a bottom plan of the alternate embodiment of FIG. 29;

FIG. 32 is a front view of the alternate embodiment of FIG. 29;

FIG. 33 is a rear view of the alternate embodiment of FIG. 29;

FIG. 34 is a side view of the alternate embodiment of FIG. 29;

FIG. 35 is an opposite side view of the alternate embodiment of FIG. 29;

FIG. 36 is a top front perspective view of a fifth alternate embodiment of the protector case;

FIG. 37 is a top plan view of the alternate embodiment of FIG. 36;

FIG. 38 is a bottom plan of the alternate embodiment of FIG. 36;

FIG. 39 is a front view of the alternate embodiment of FIG. 36;

FIG. 40 is a rear view of the alternate embodiment of FIG. 36;

FIG. 41 is a side view of the alternate embodiment of FIG. 36; and,

FIG. 42 is an opposite side view of the alternate embodiment.

**1 Claim, 24 Drawing Sheets**

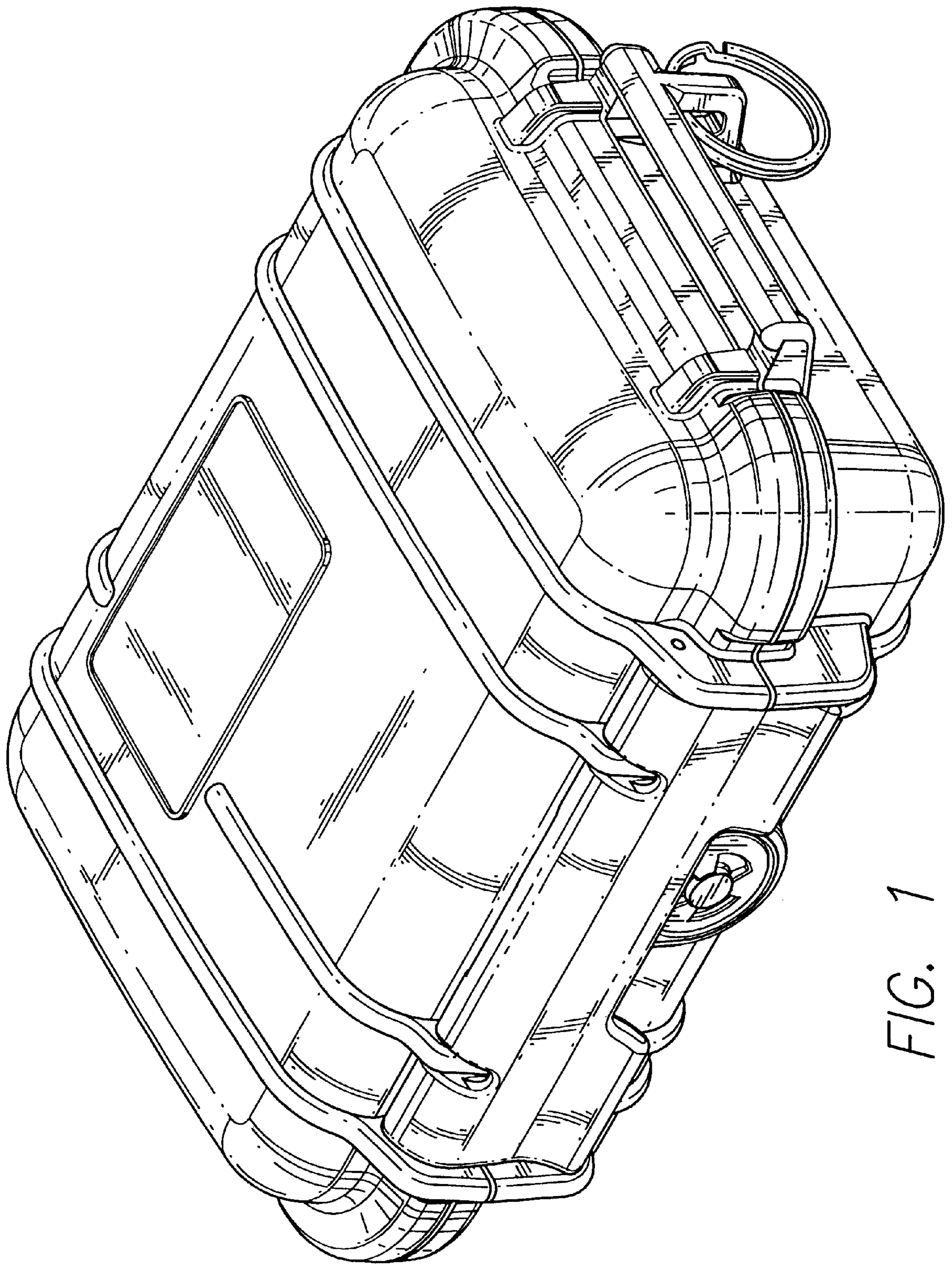


FIG. 1

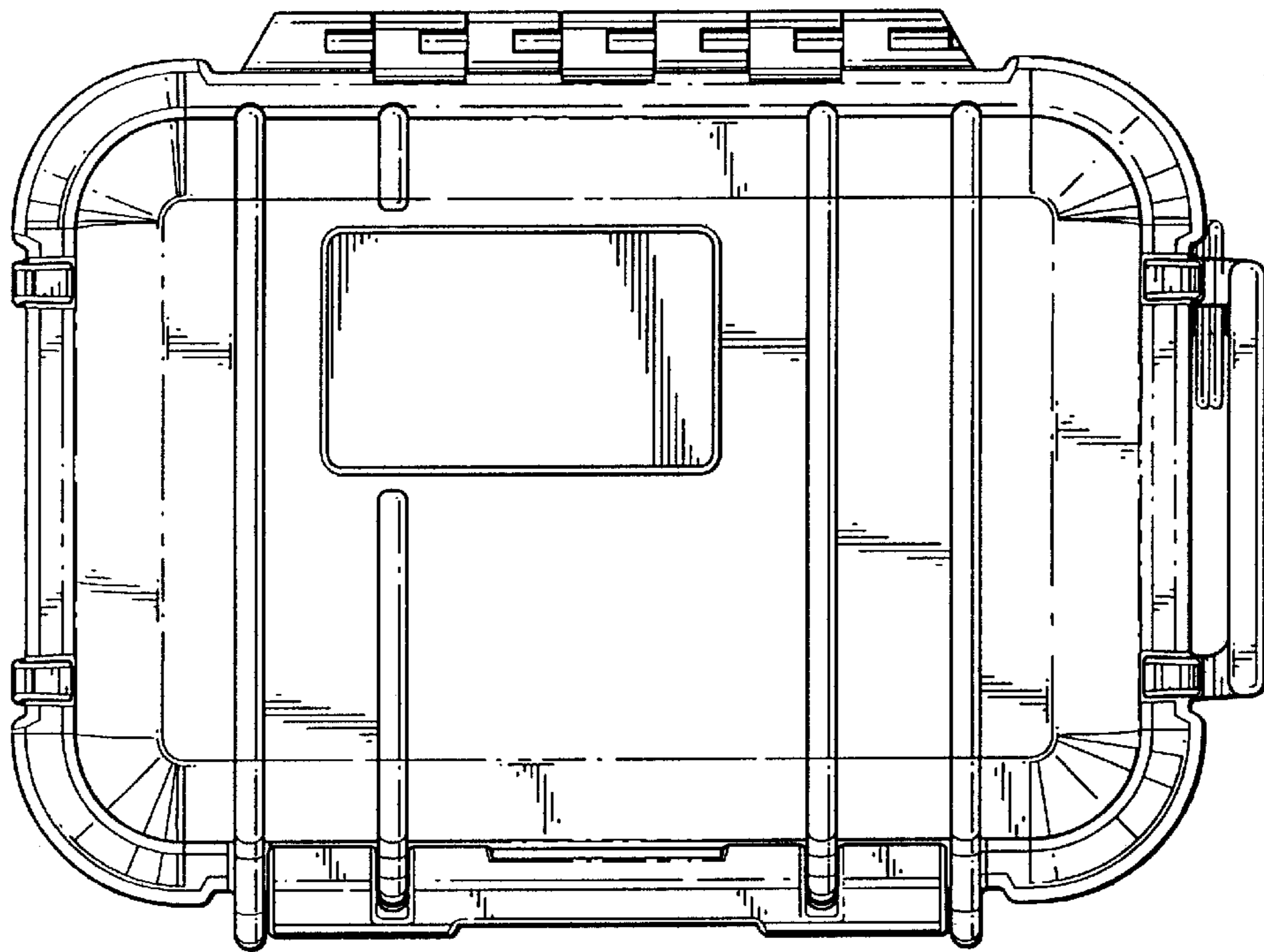


FIG. 2

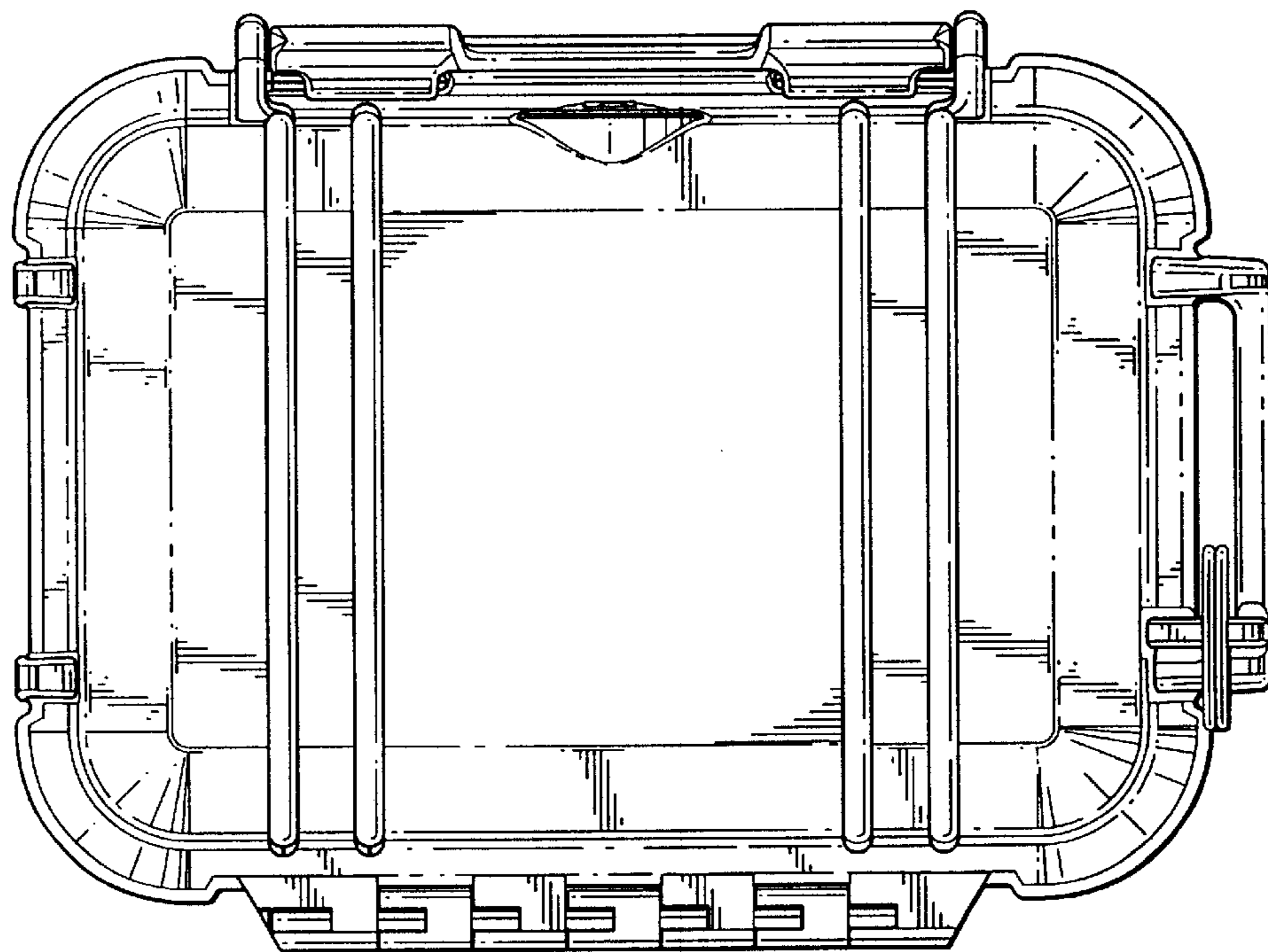


FIG. 3

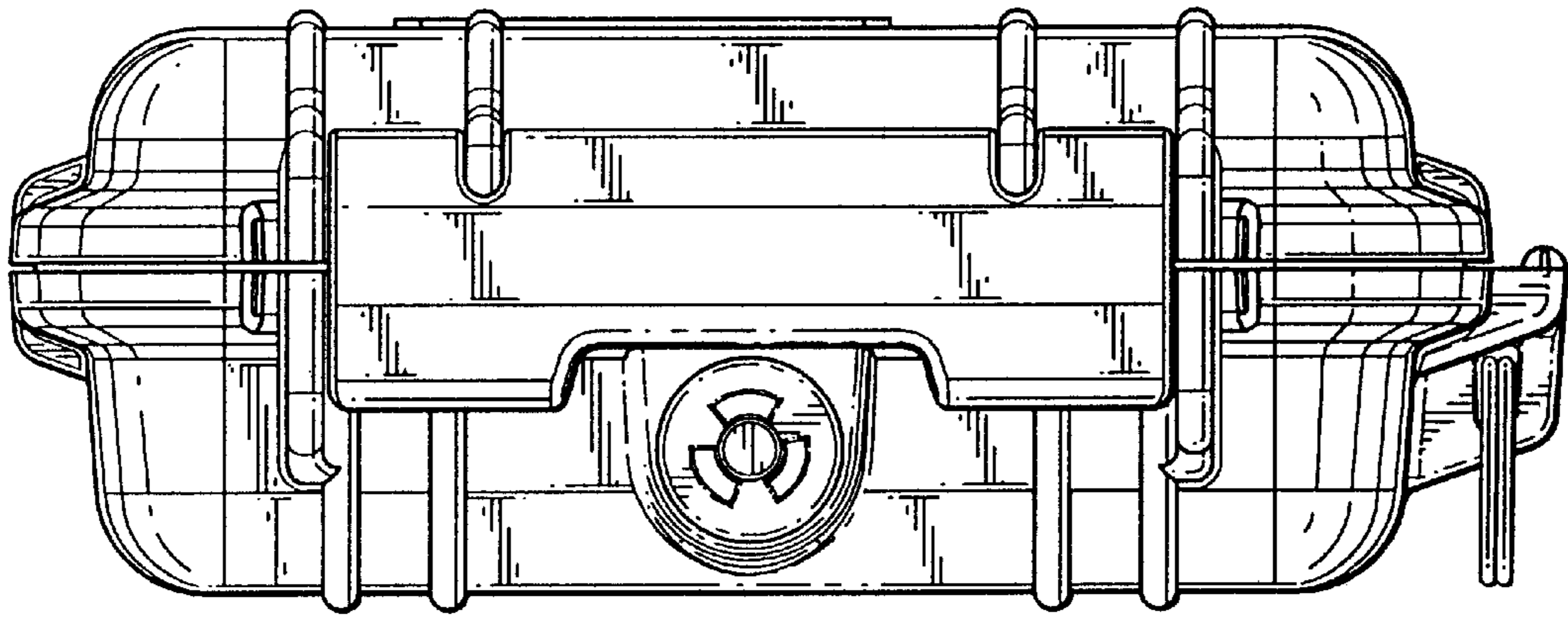


FIG. 4

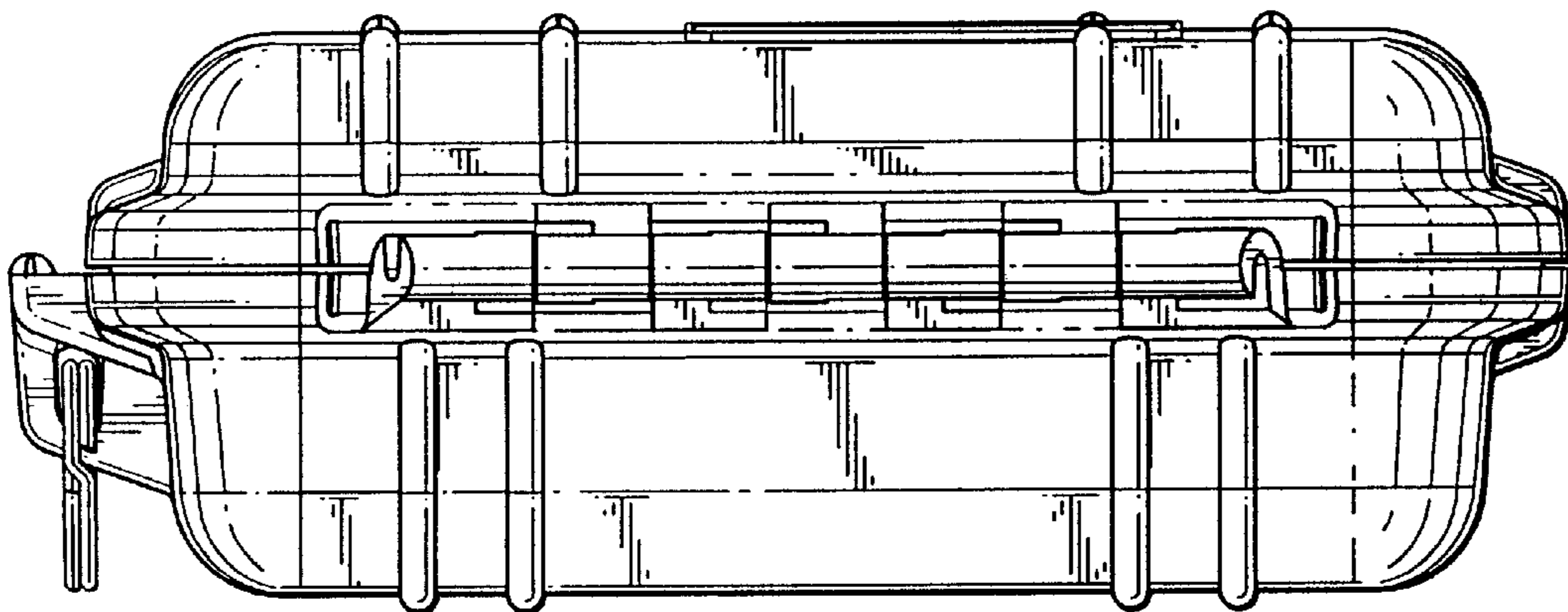


FIG. 5

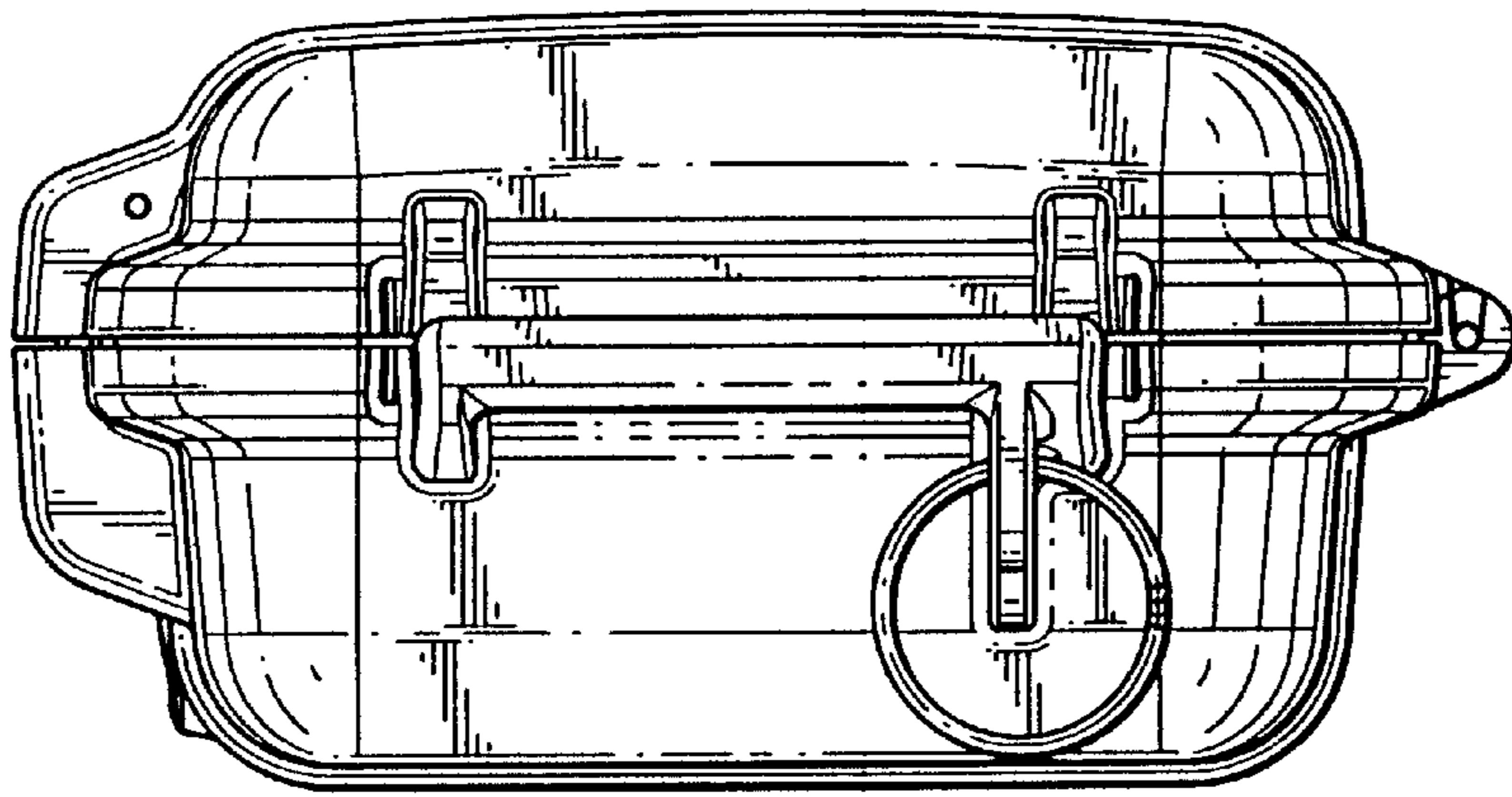


FIG. 6

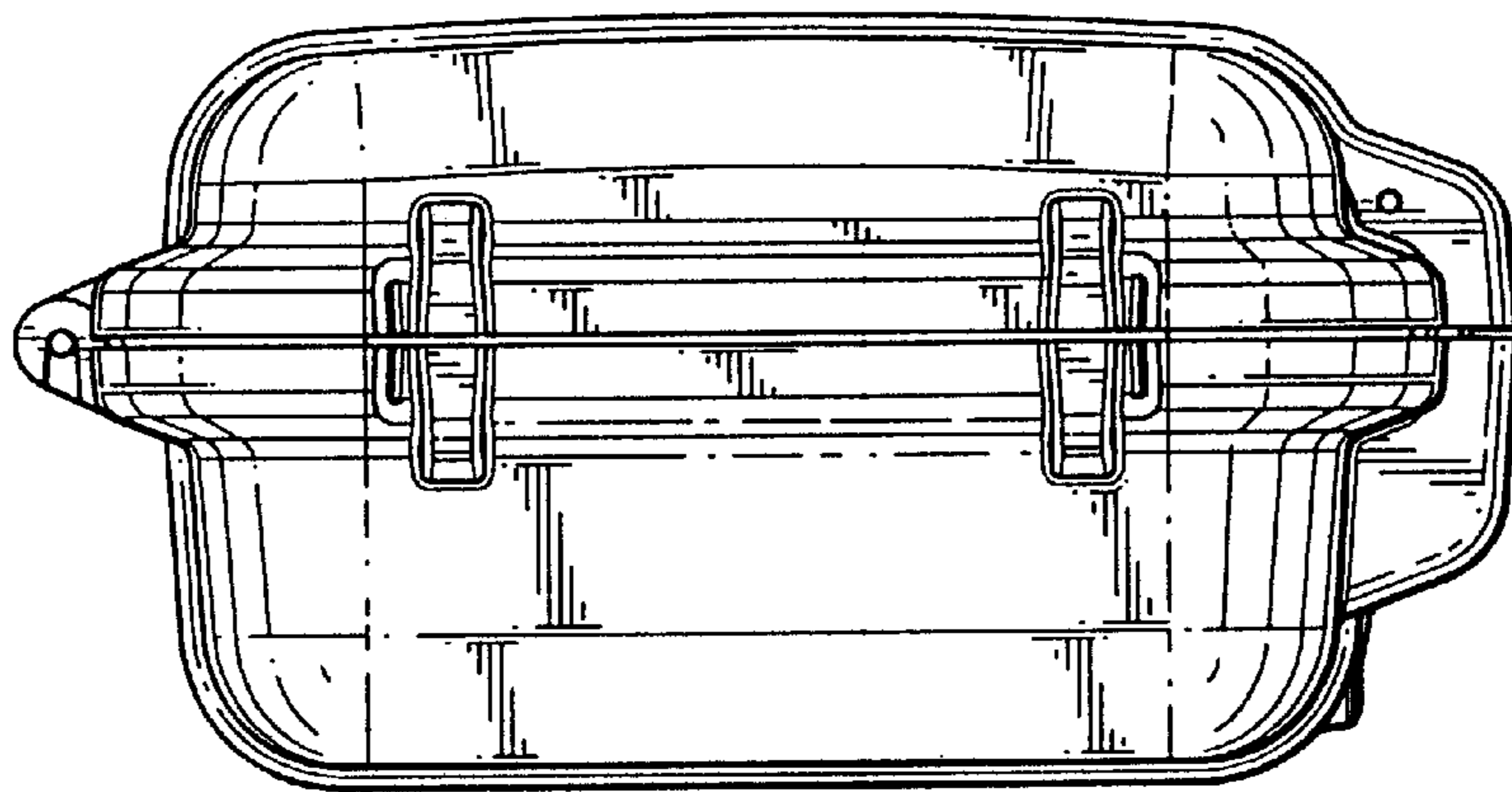


FIG. 7

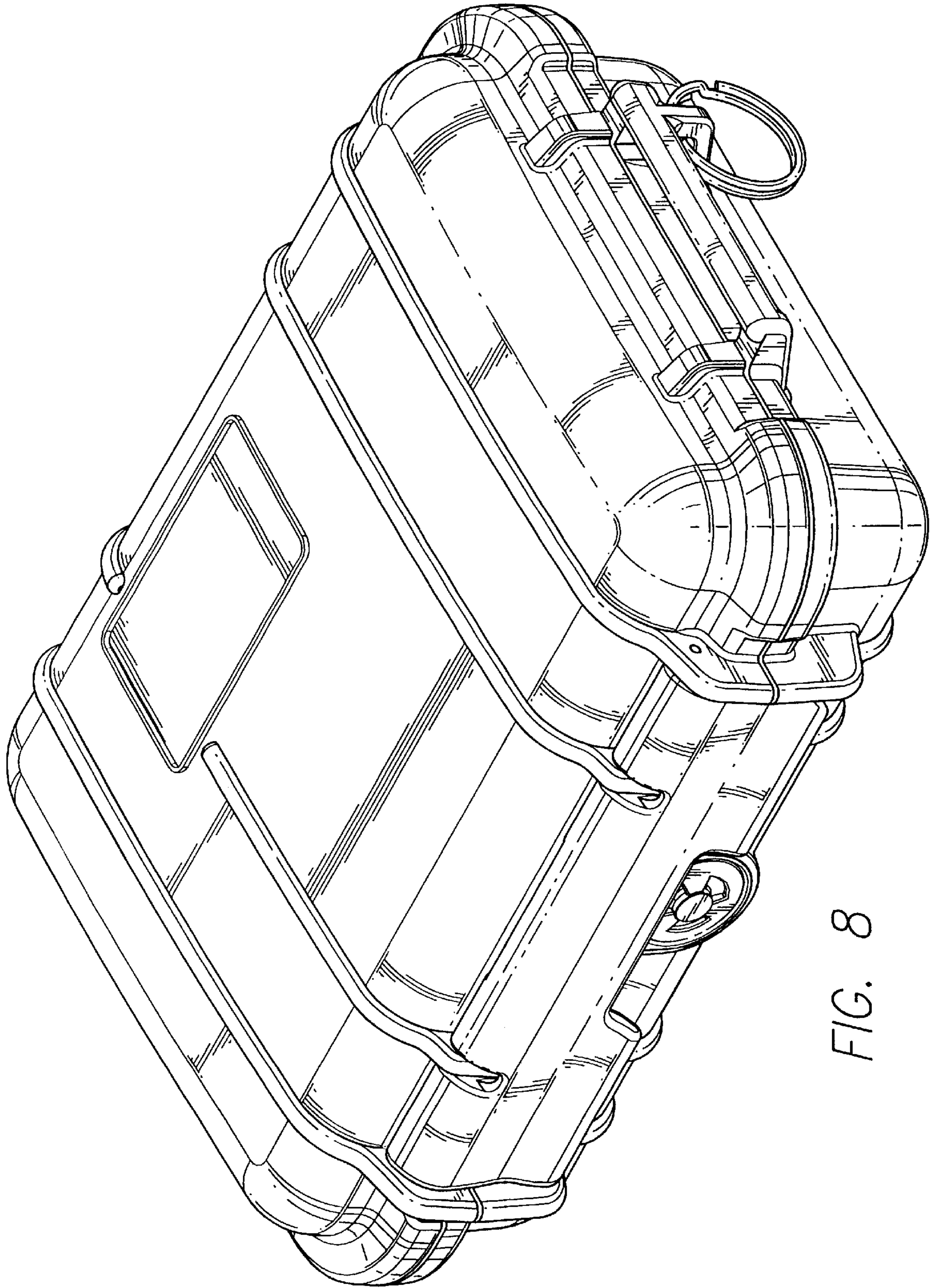


FIG. 8

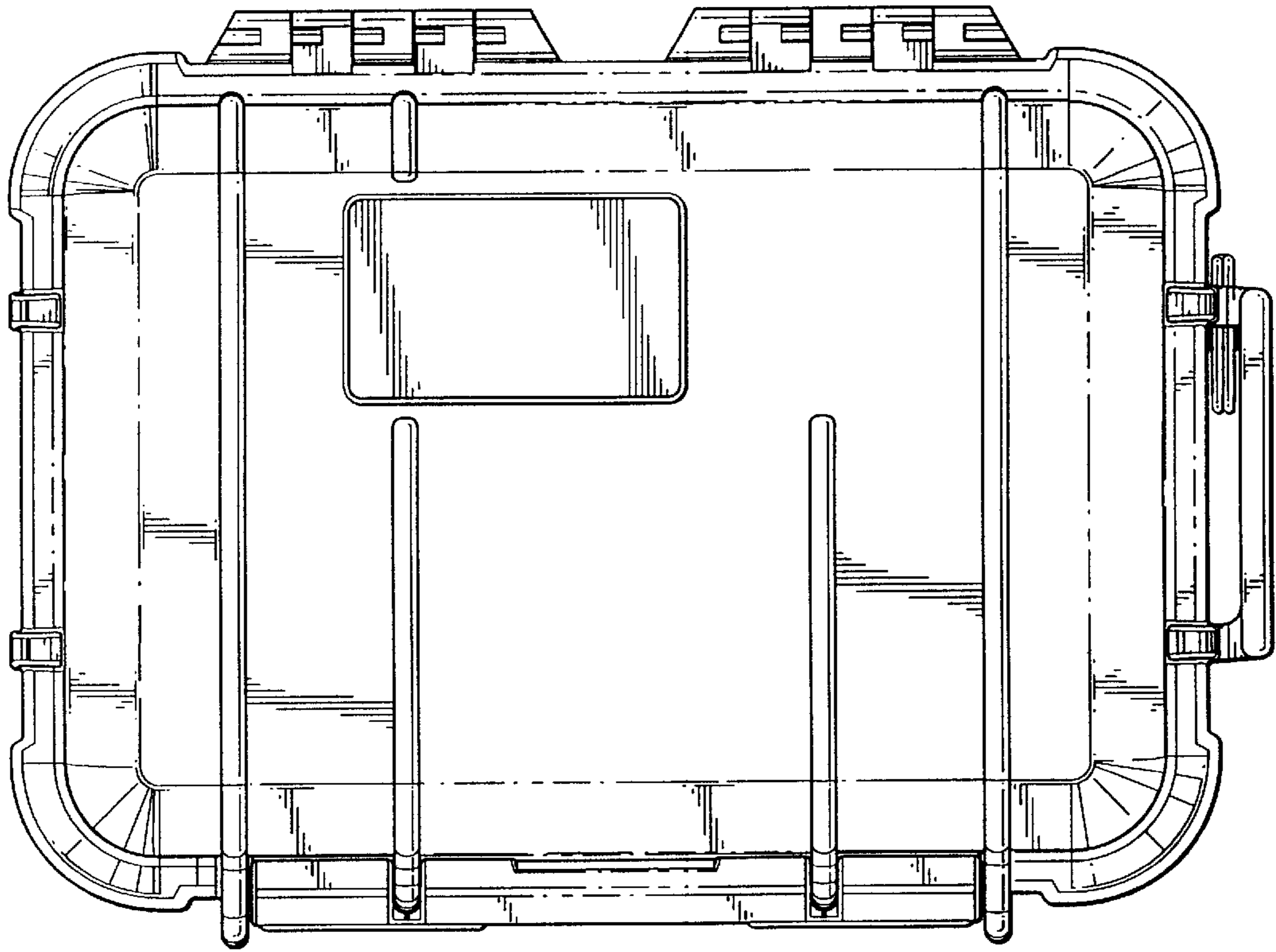


FIG. 9

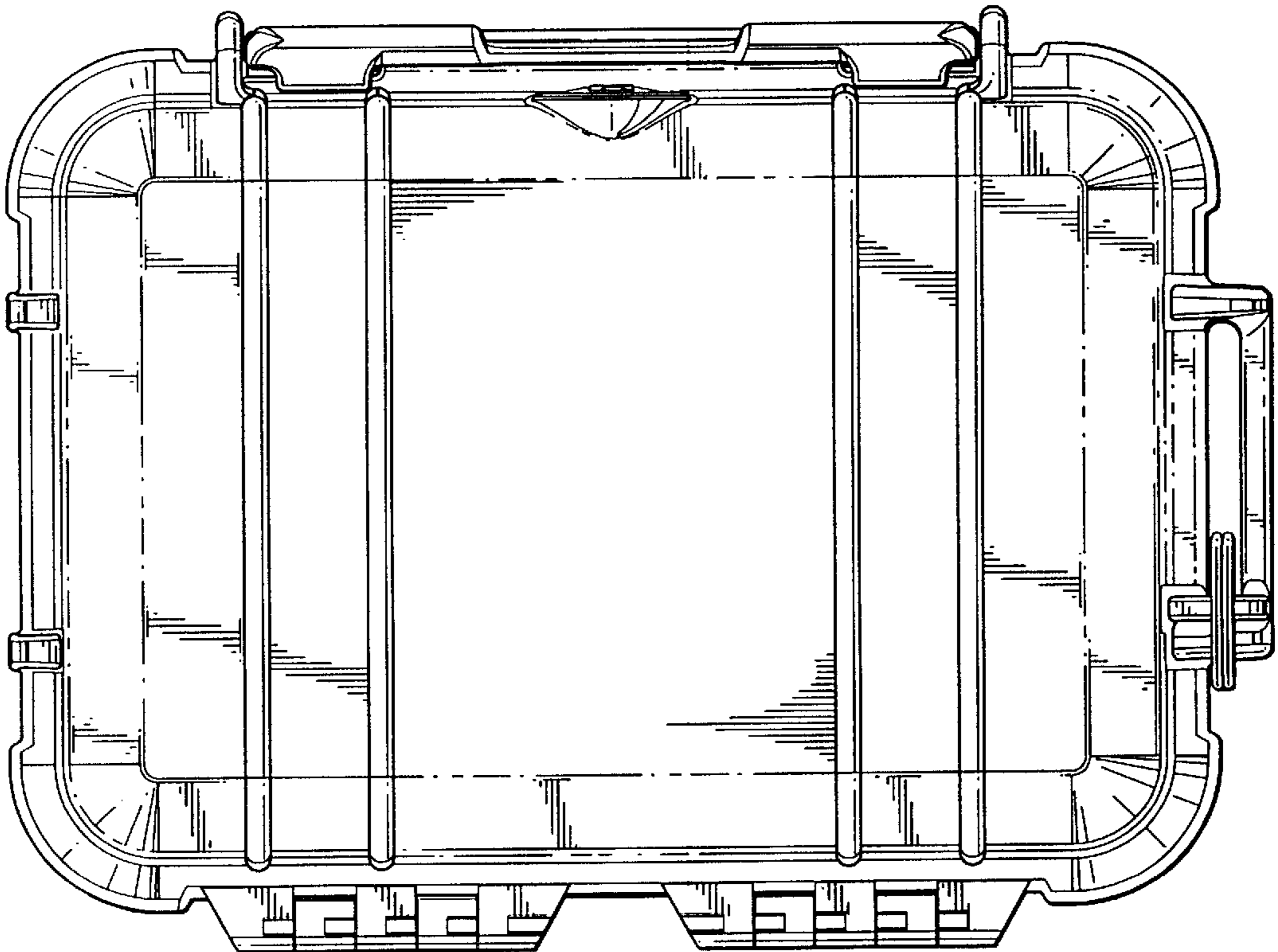


FIG. 10



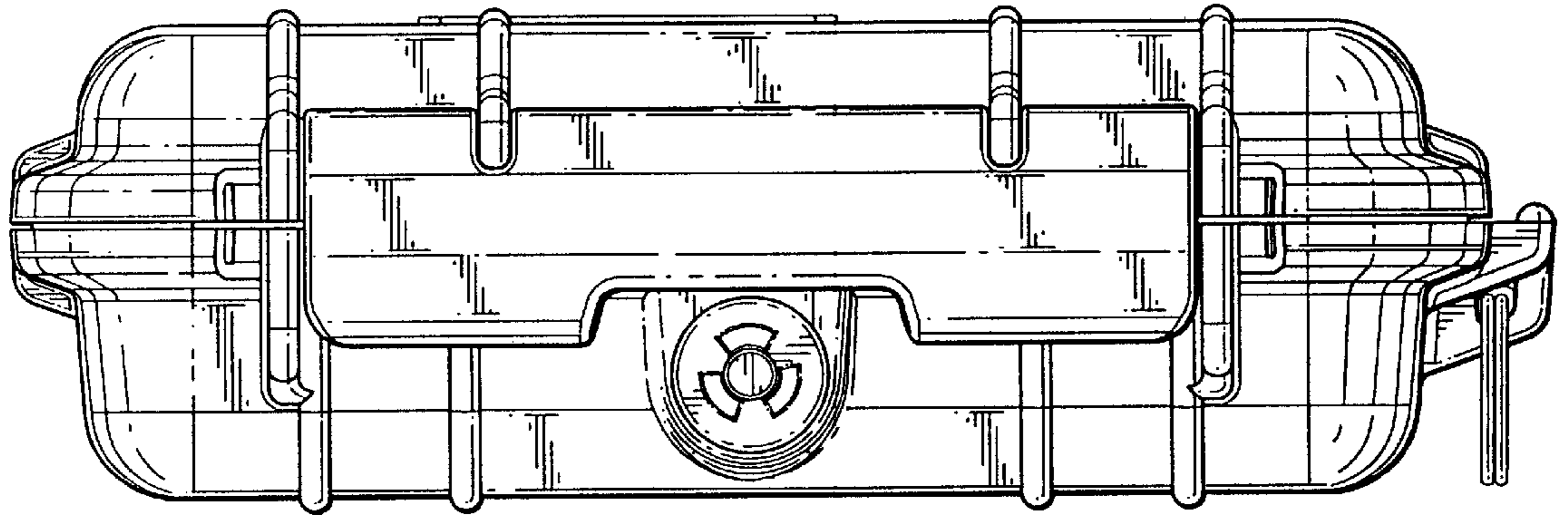


FIG. 11

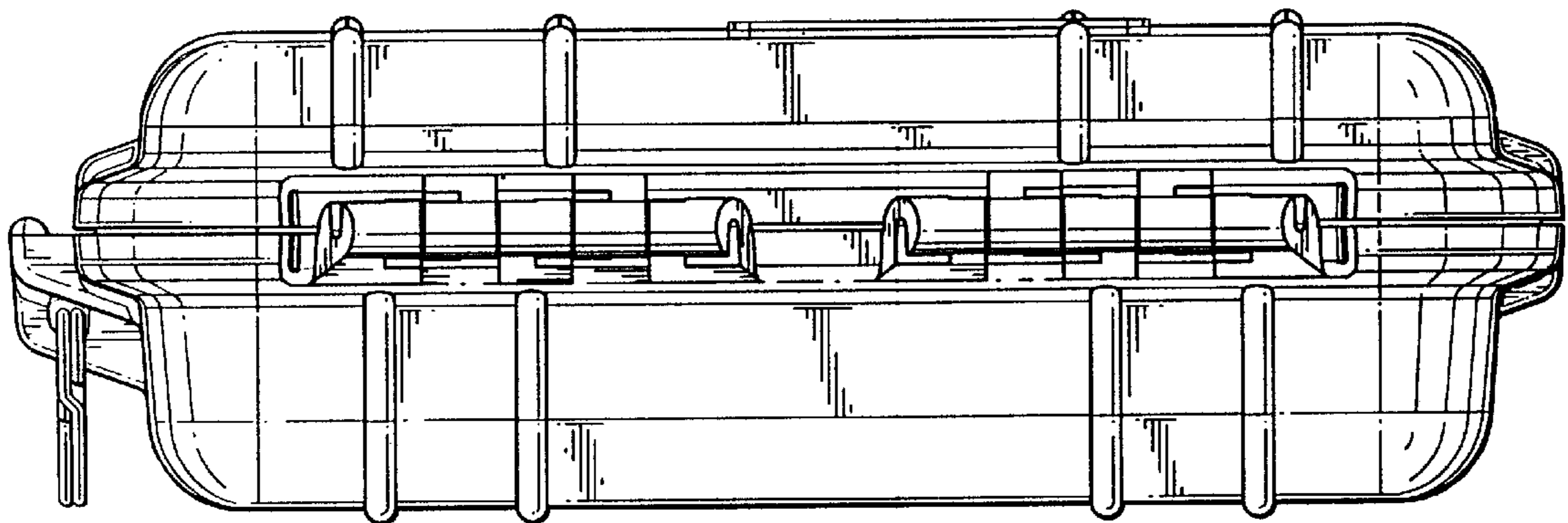


FIG. 12

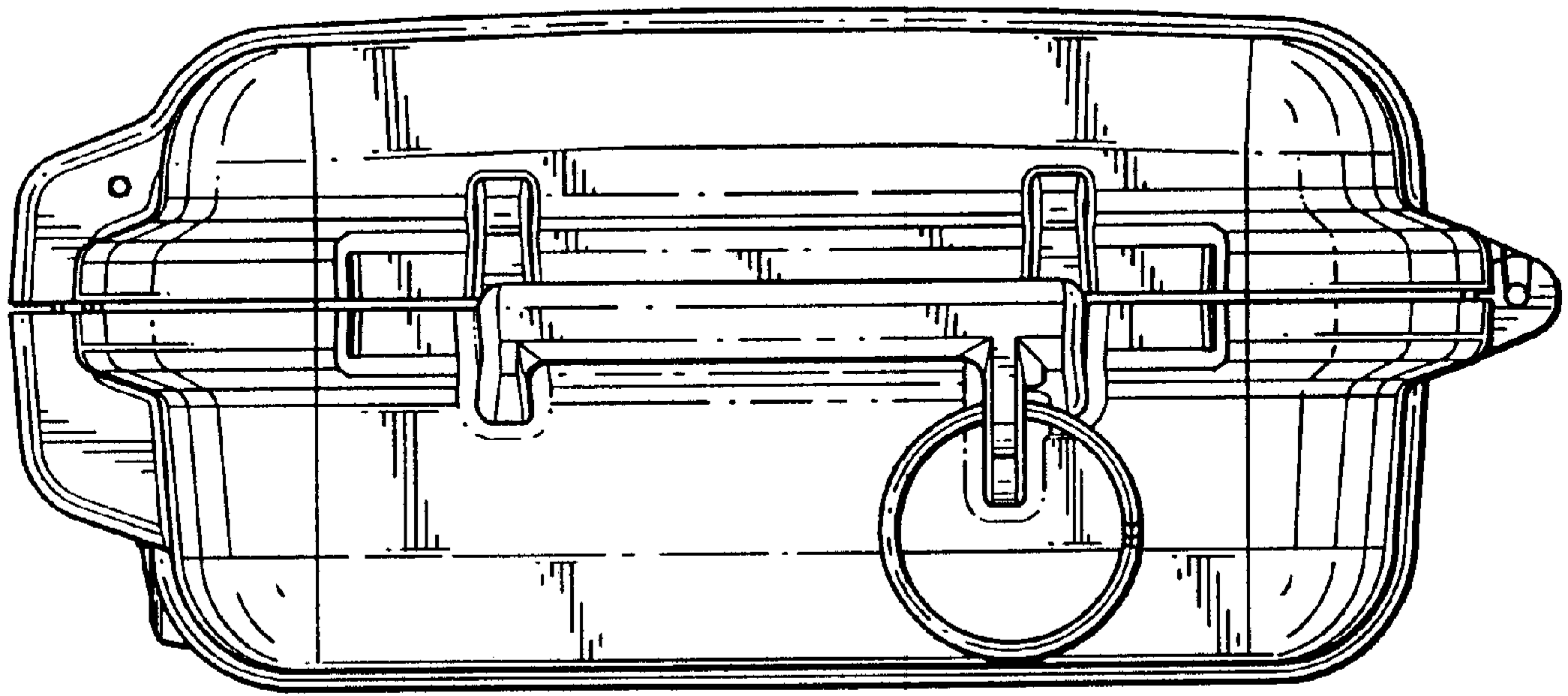


FIG. 13

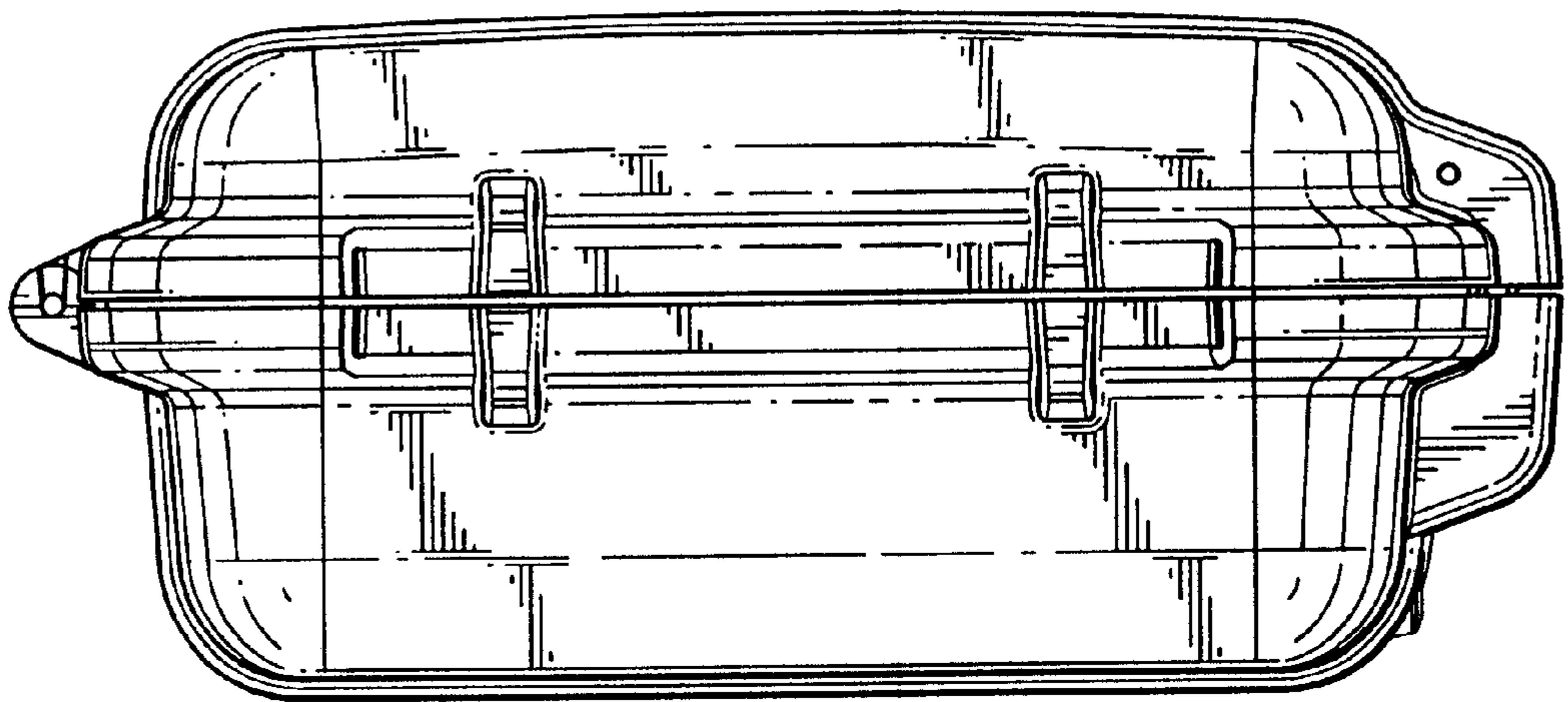


FIG. 14

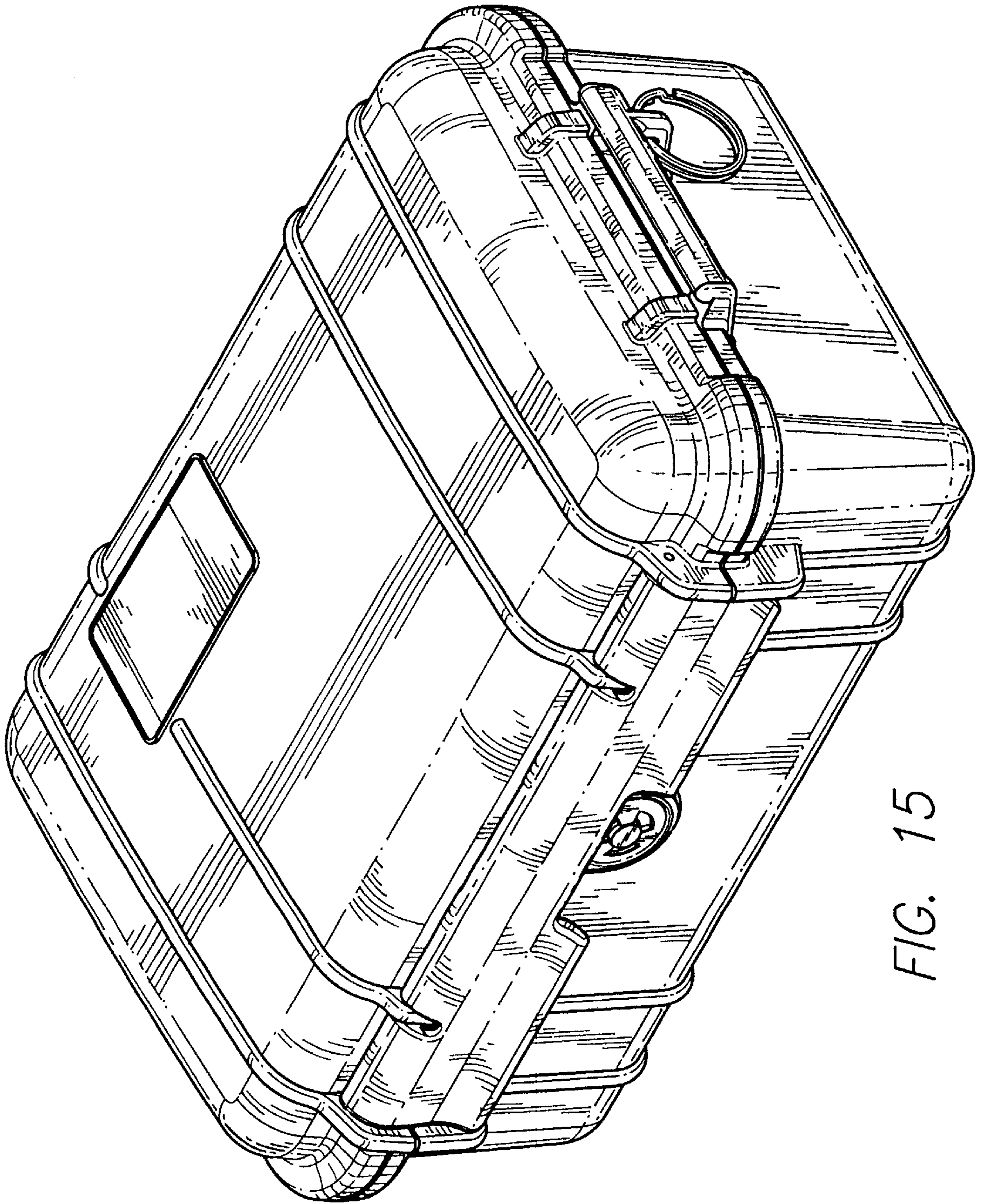


FIG. 15

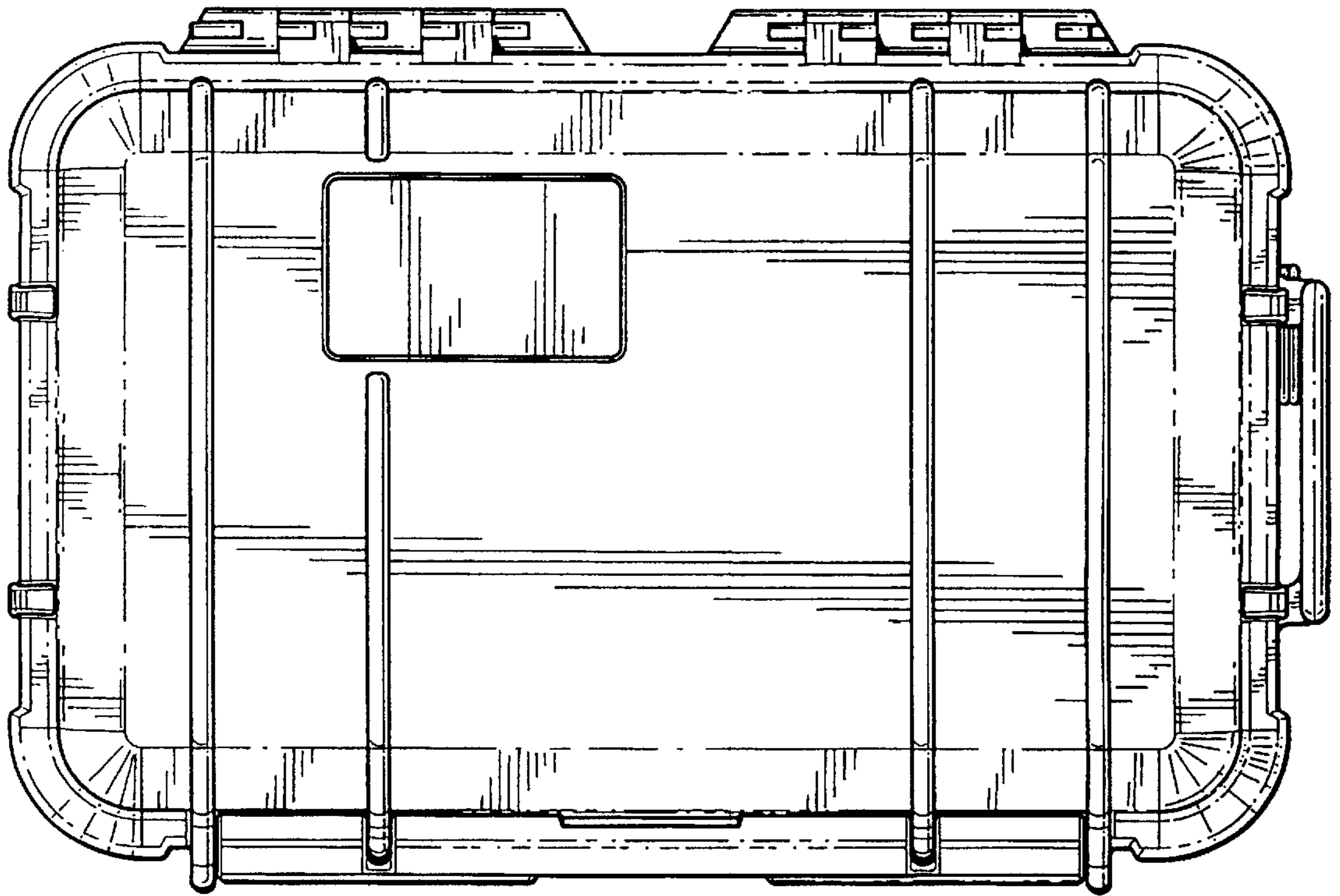


FIG. 16

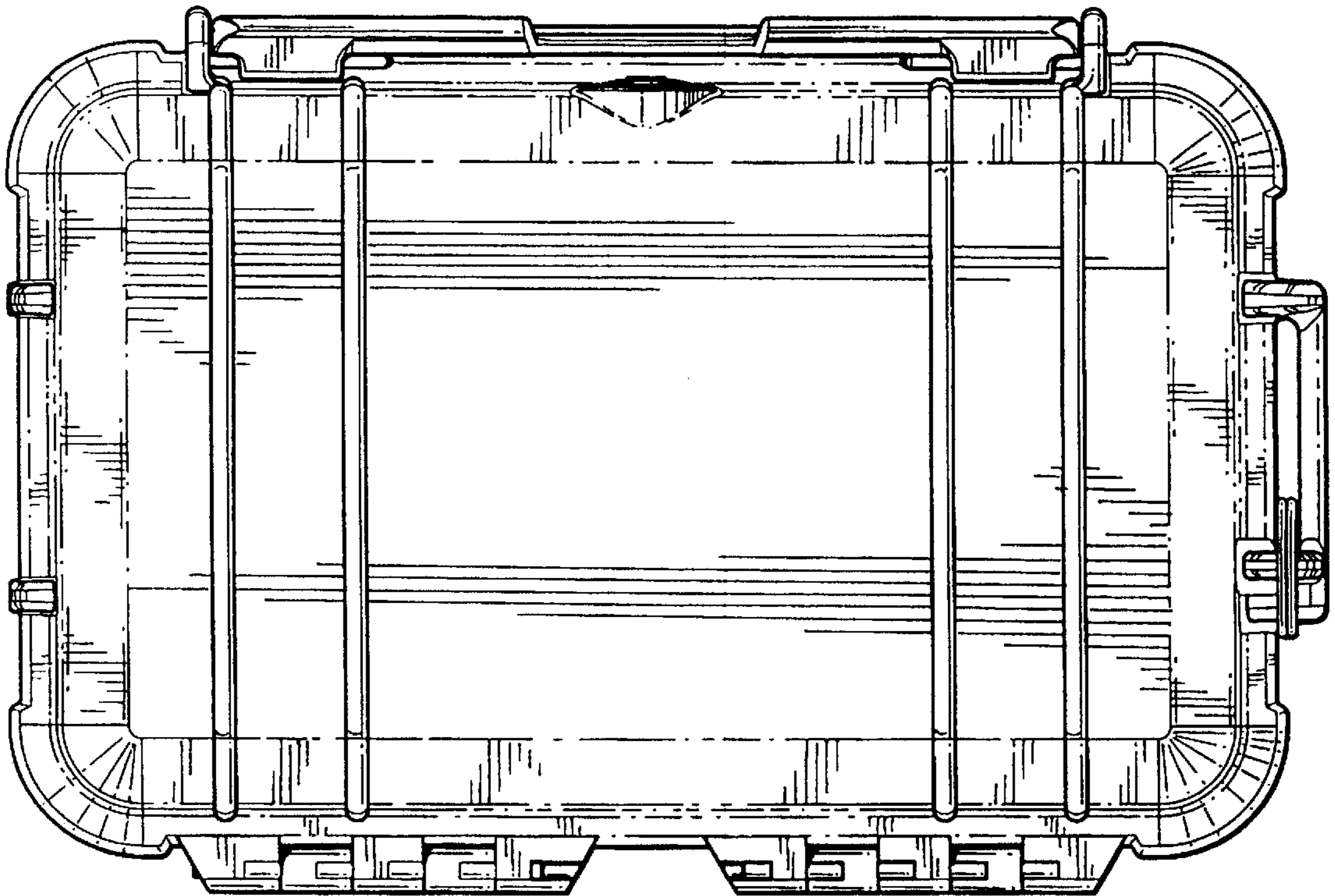


FIG. 17

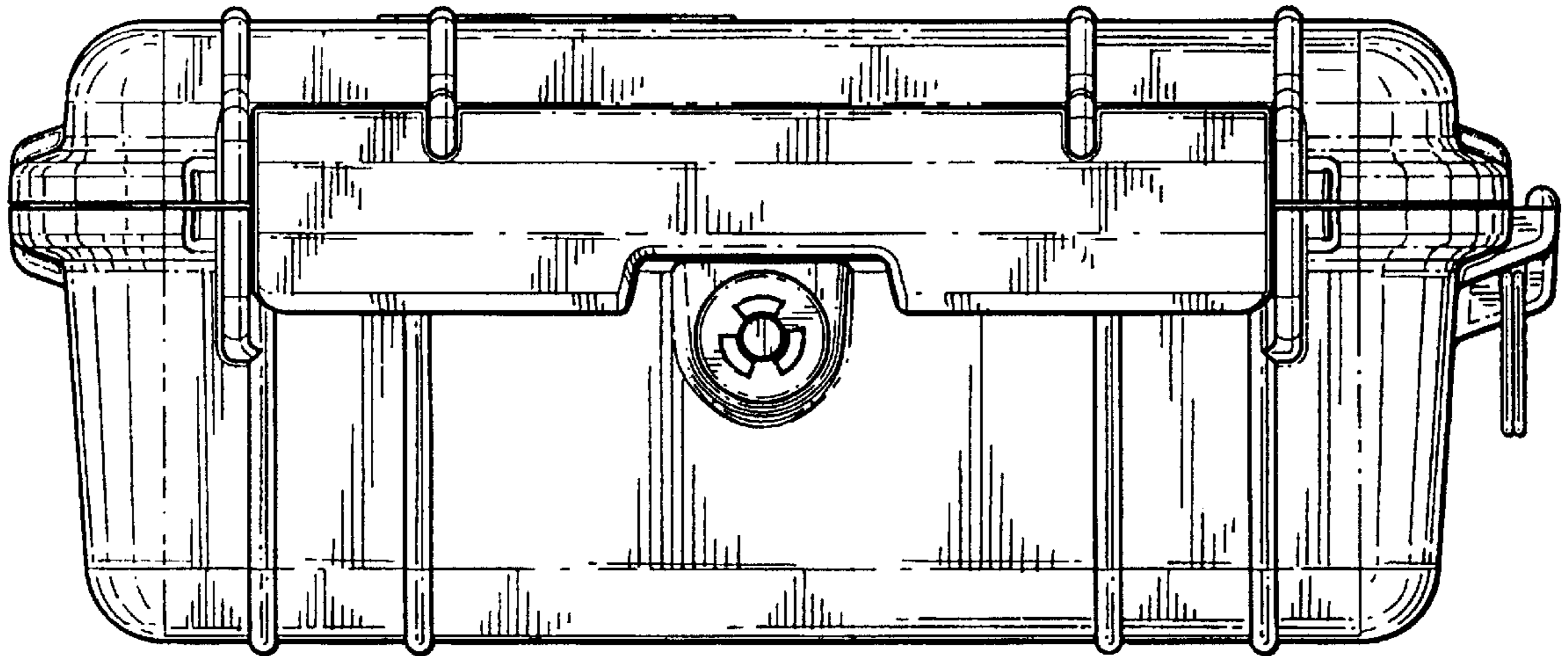


FIG. 18

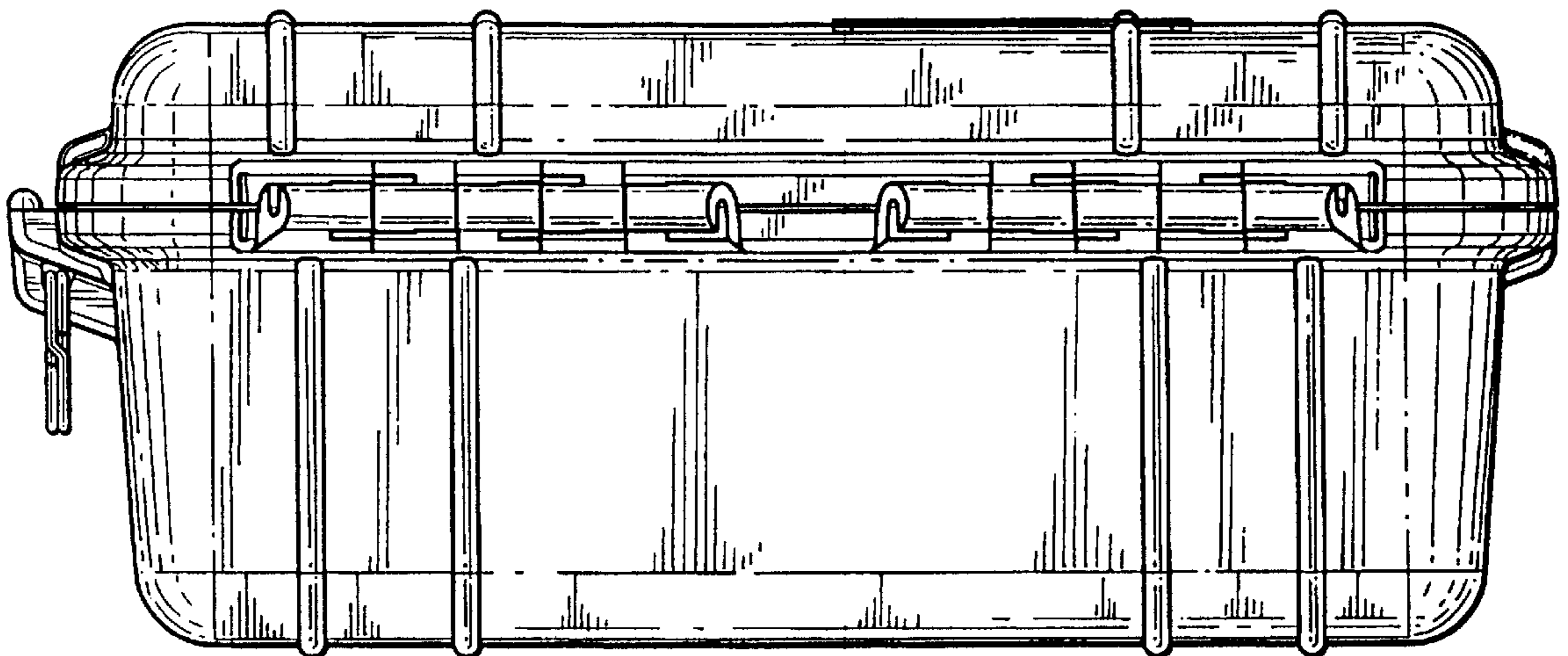


FIG. 19

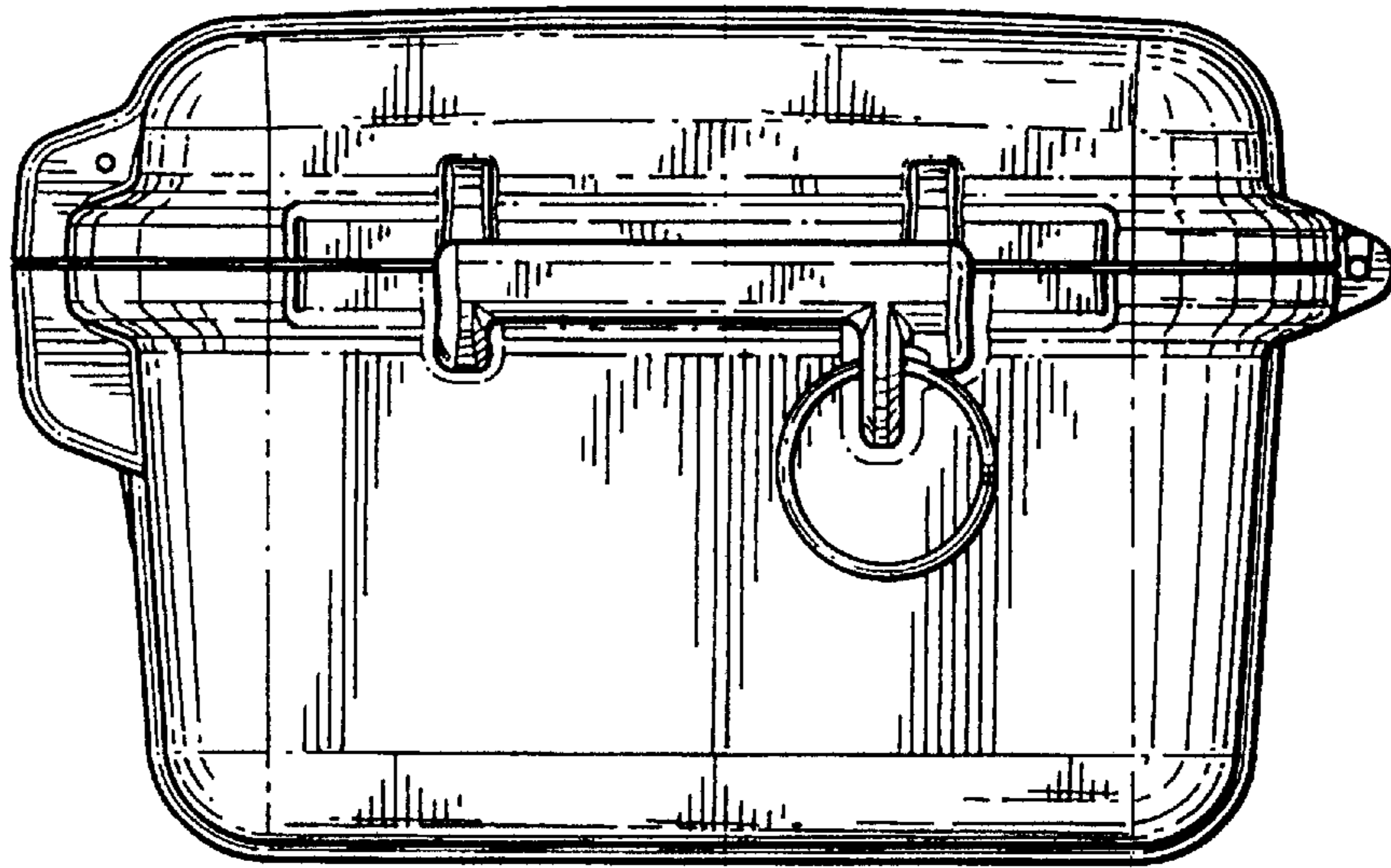


FIG. 20

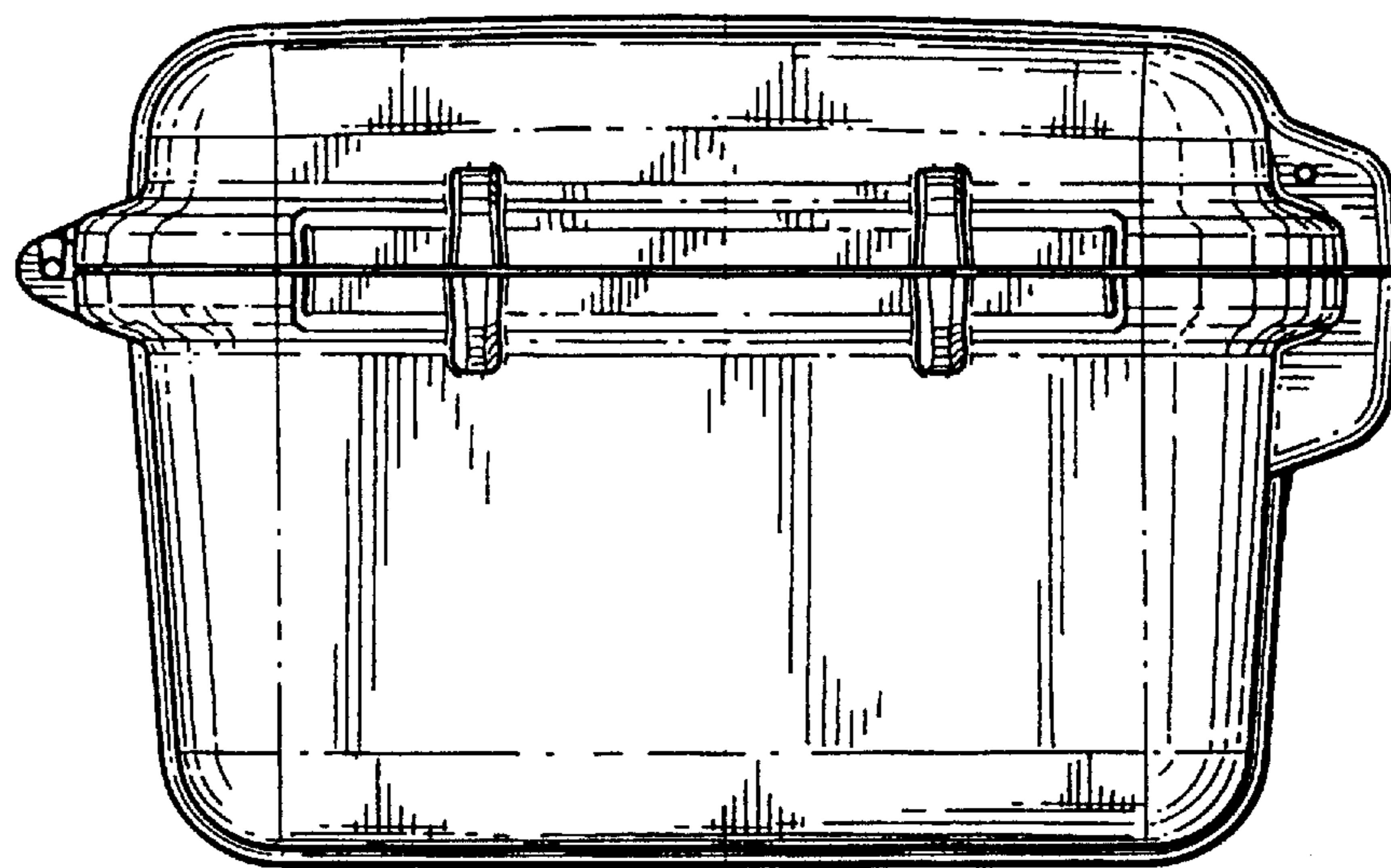


FIG. 21

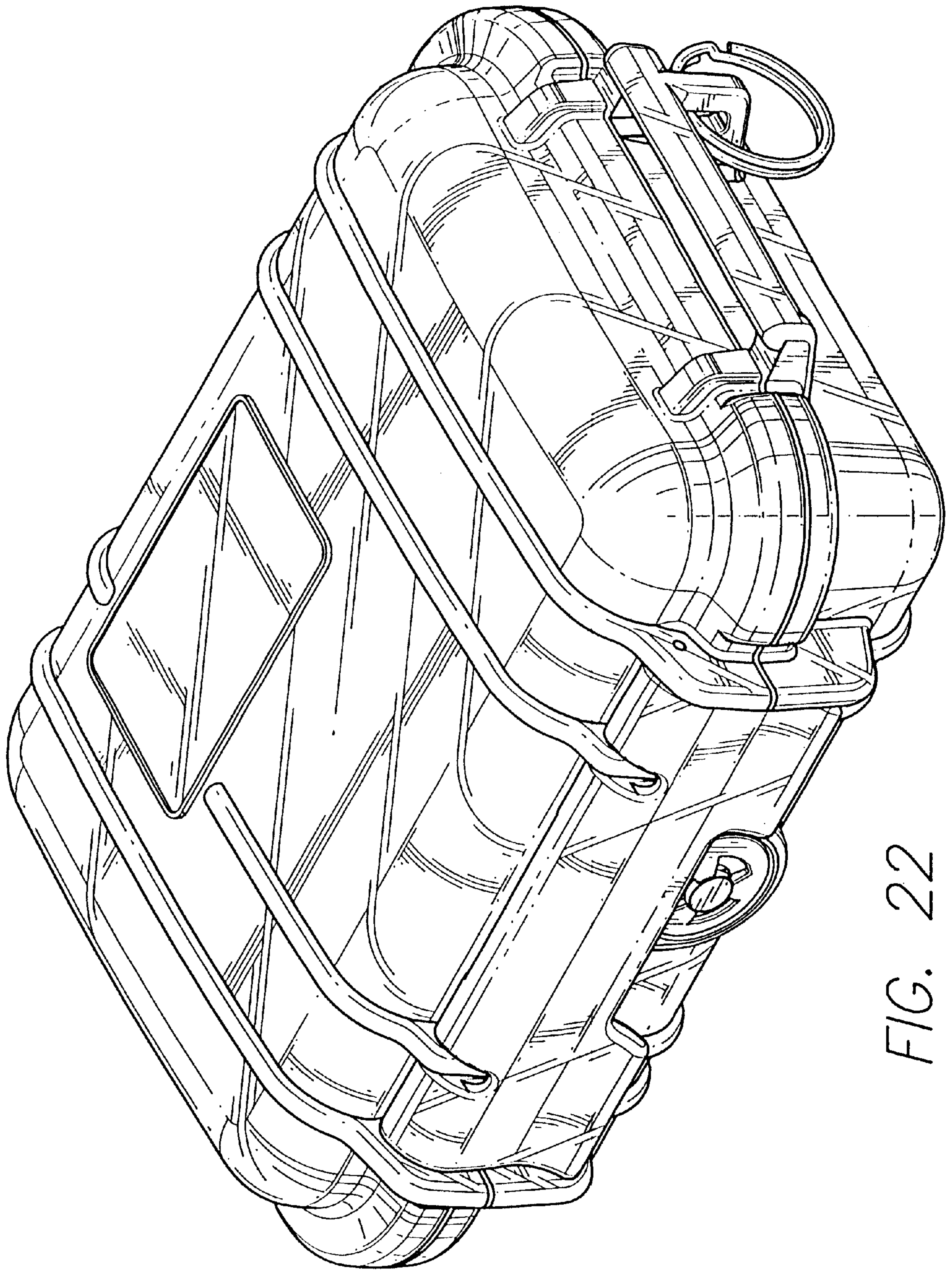


FIG. 22

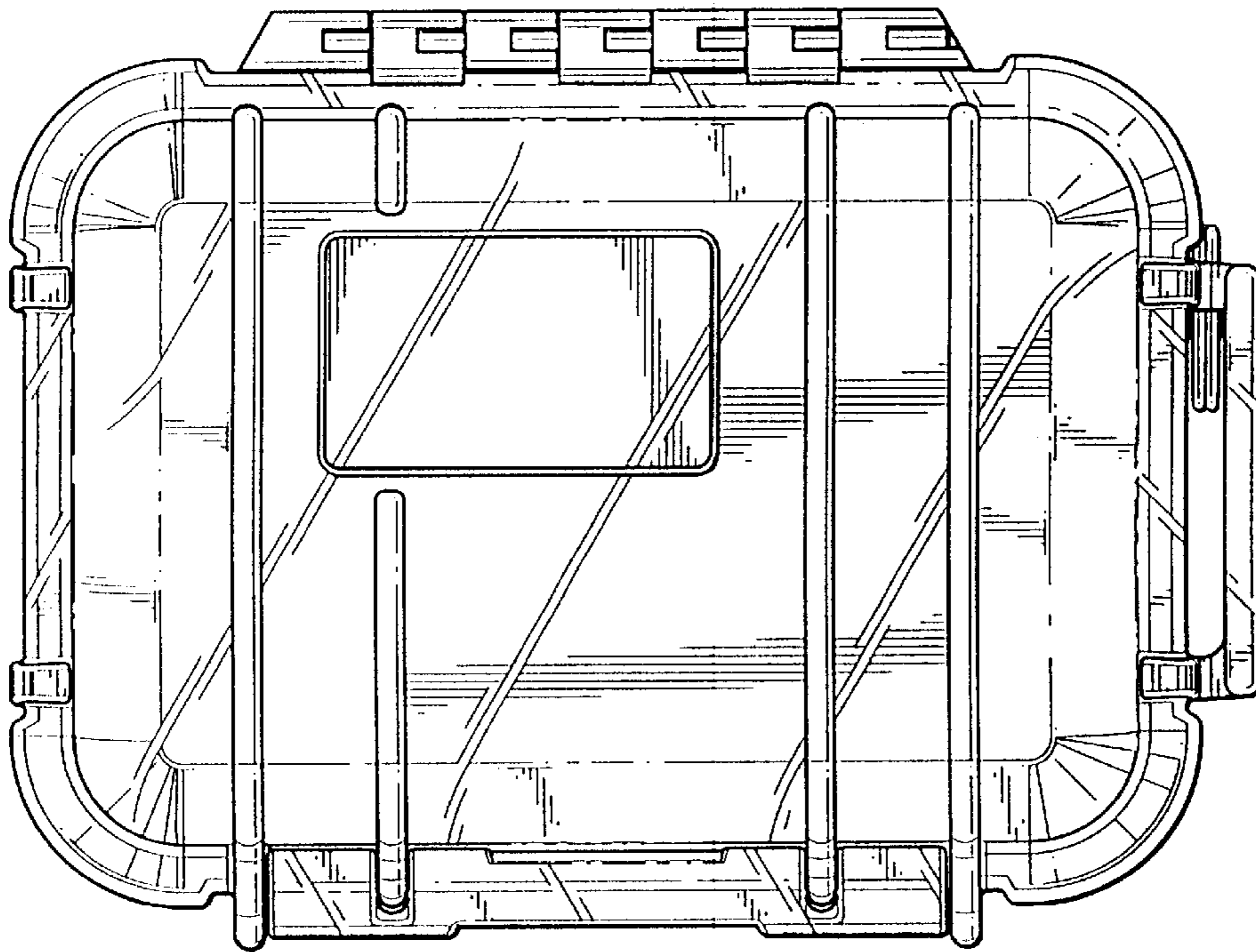


FIG. 23

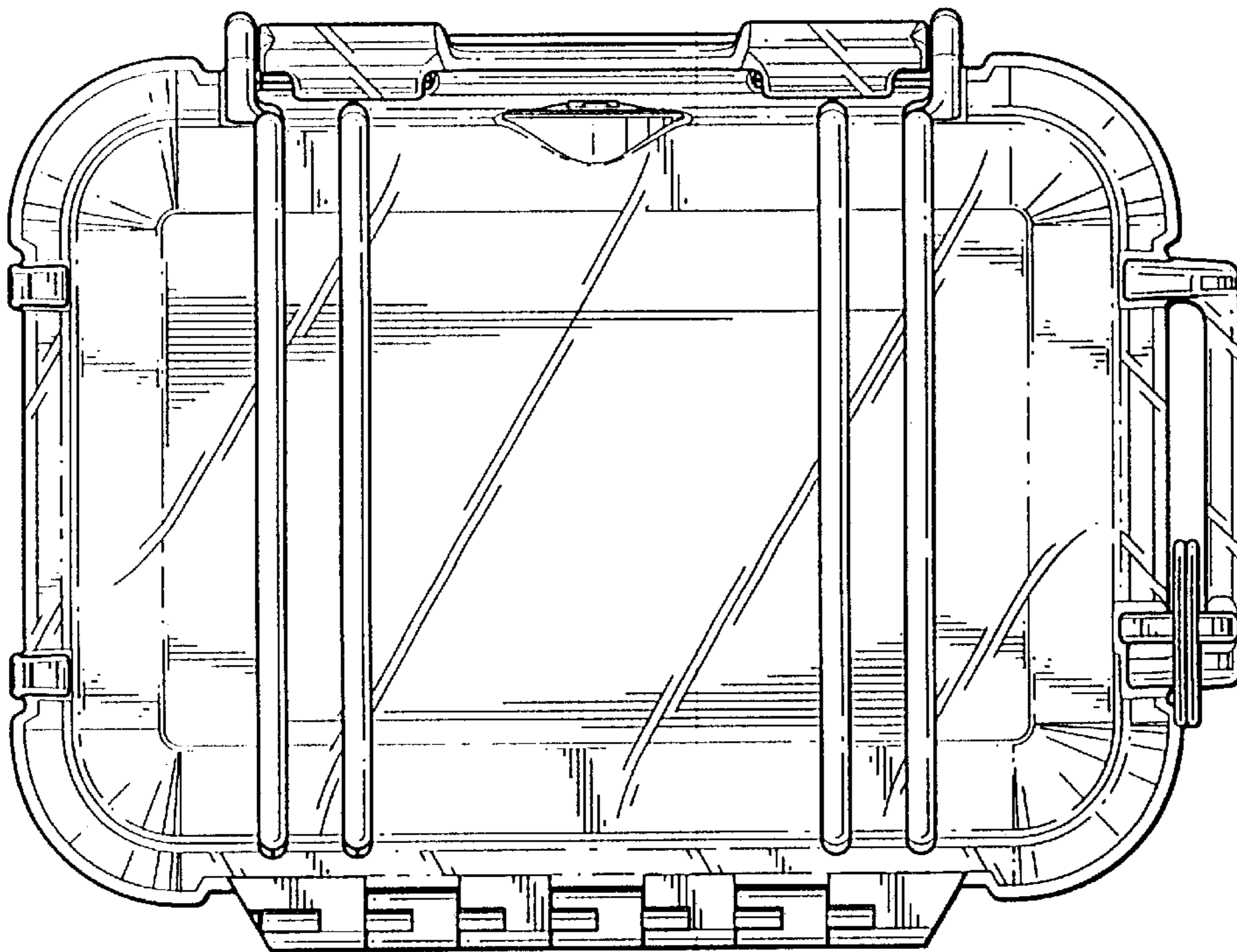


FIG. 24



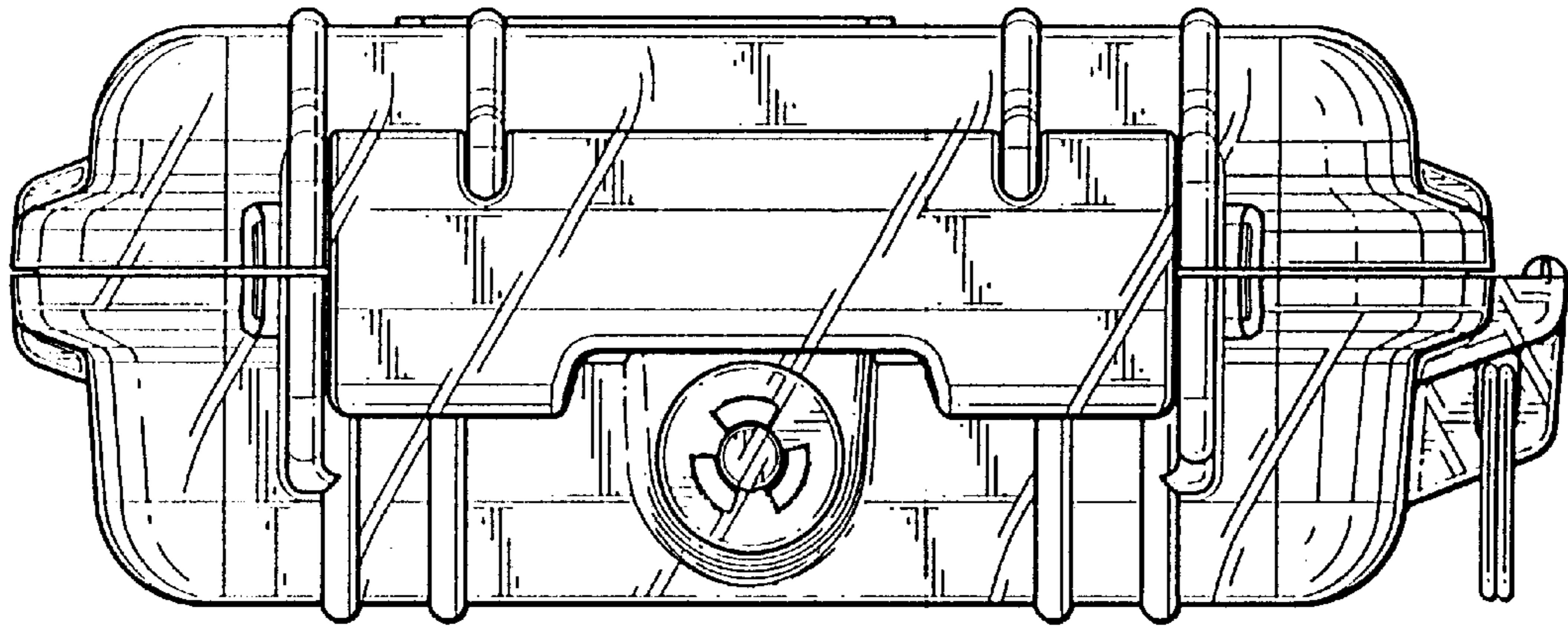


FIG. 25

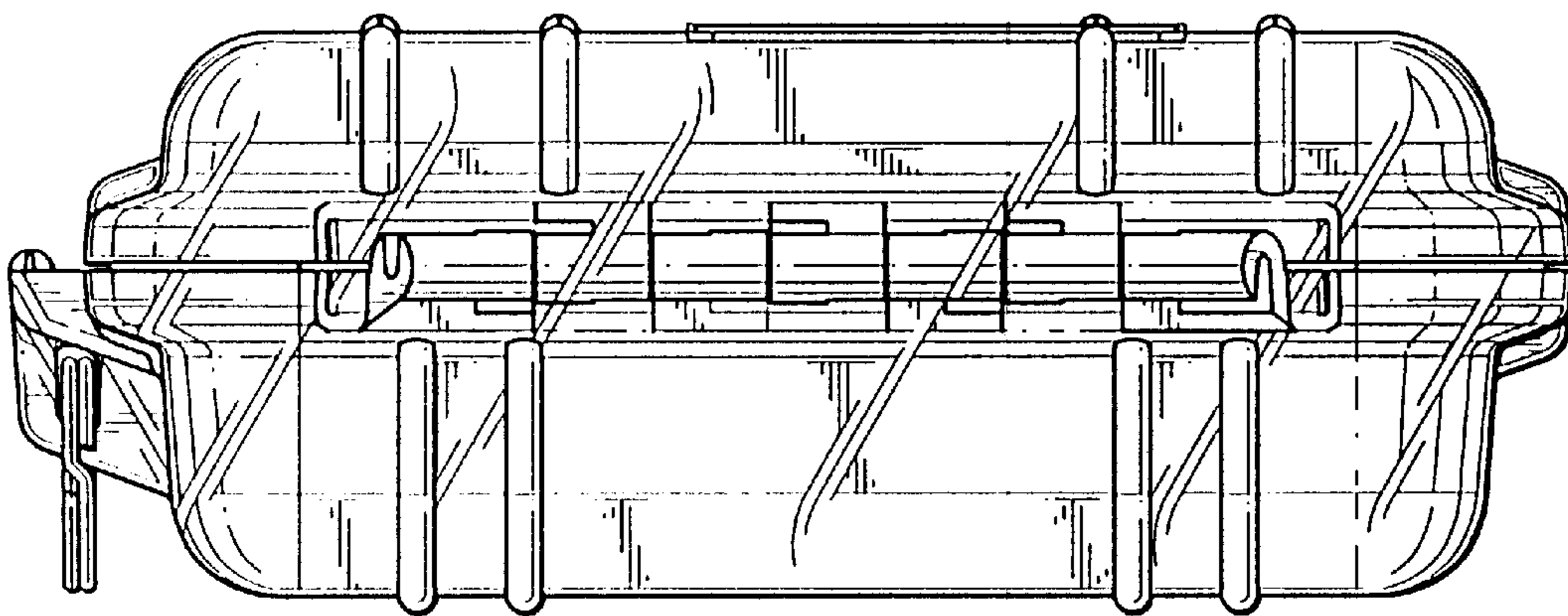


FIG. 26

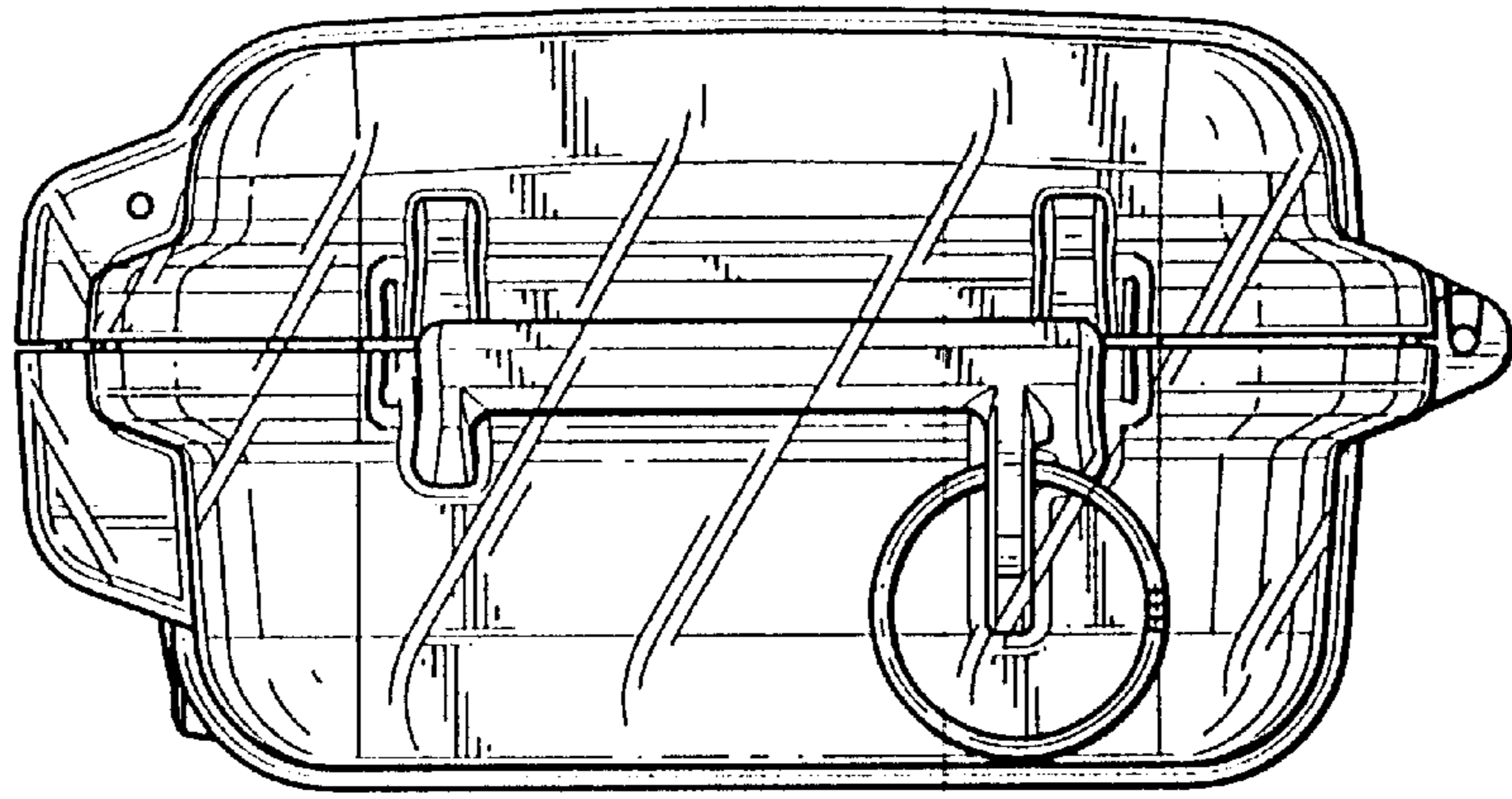


FIG. 27

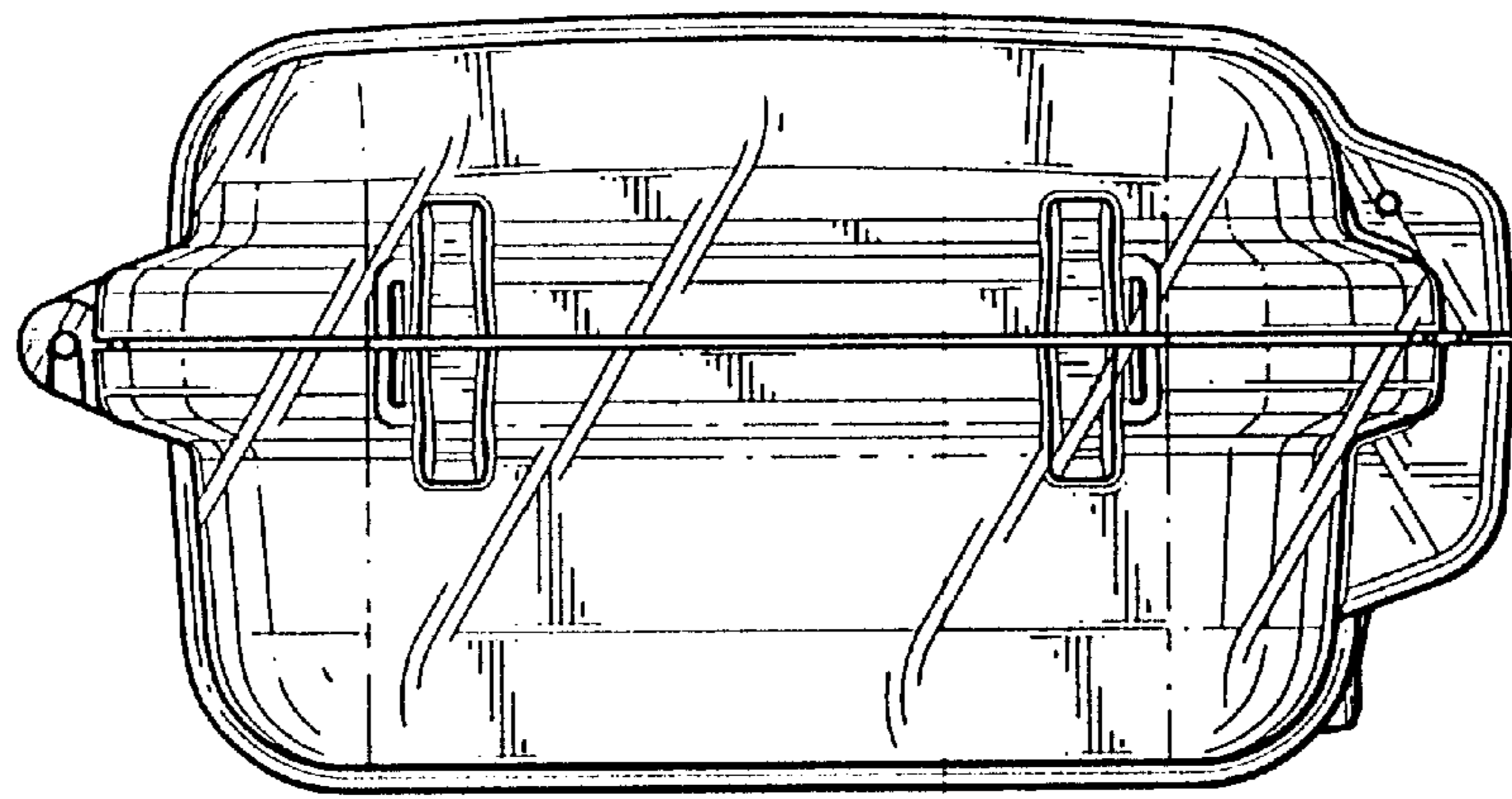


FIG. 28

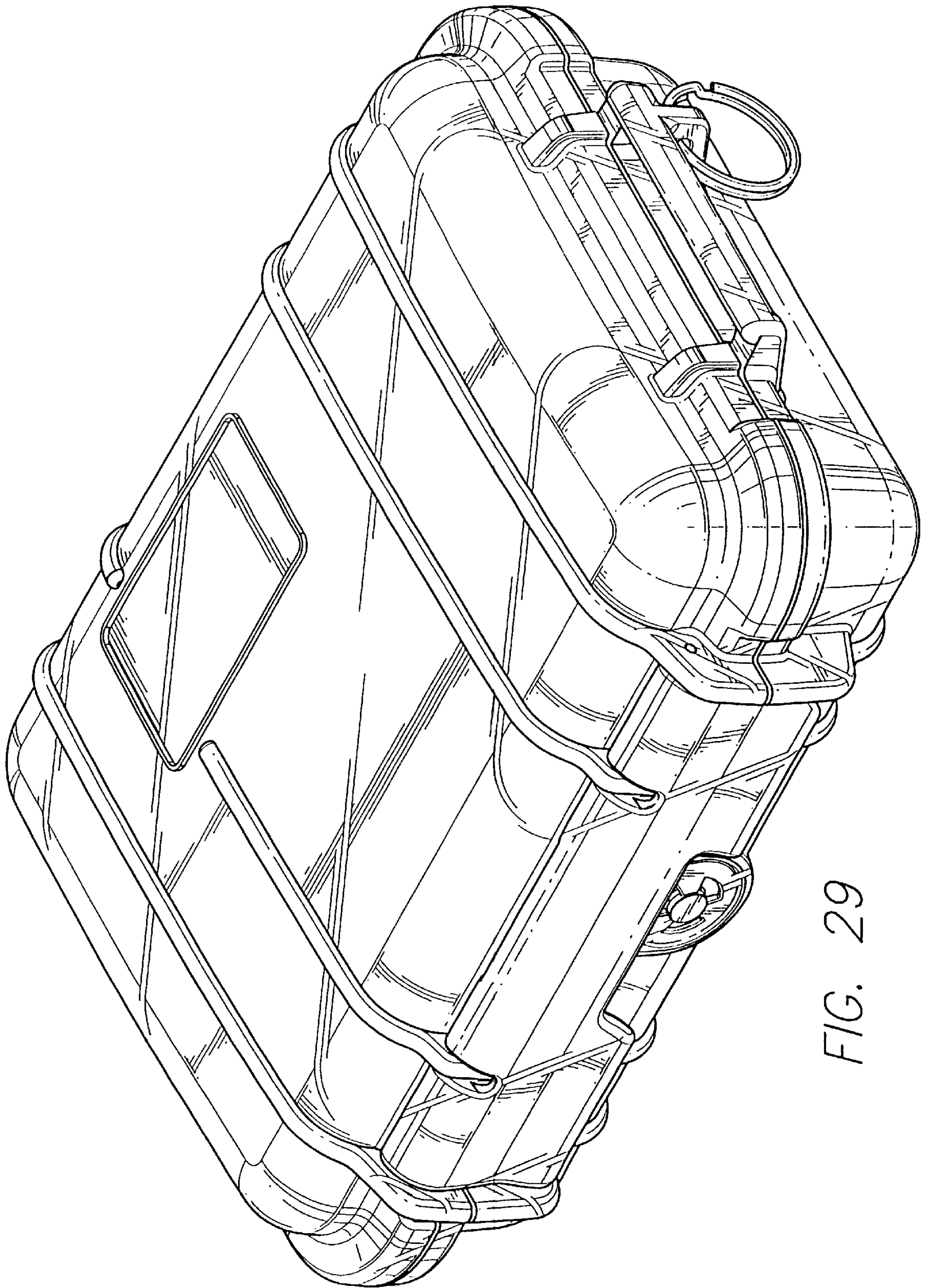


FIG. 29

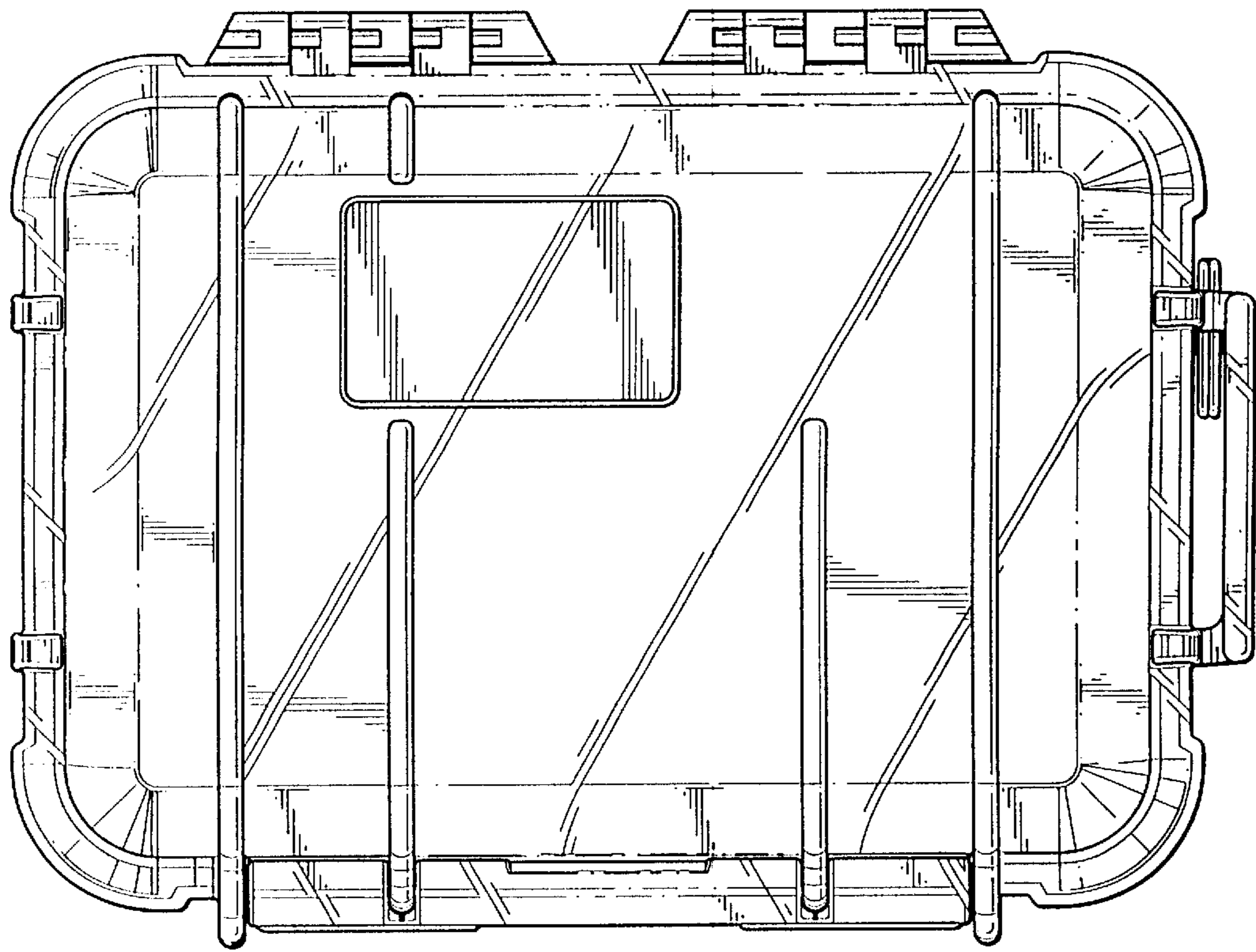


FIG. 30

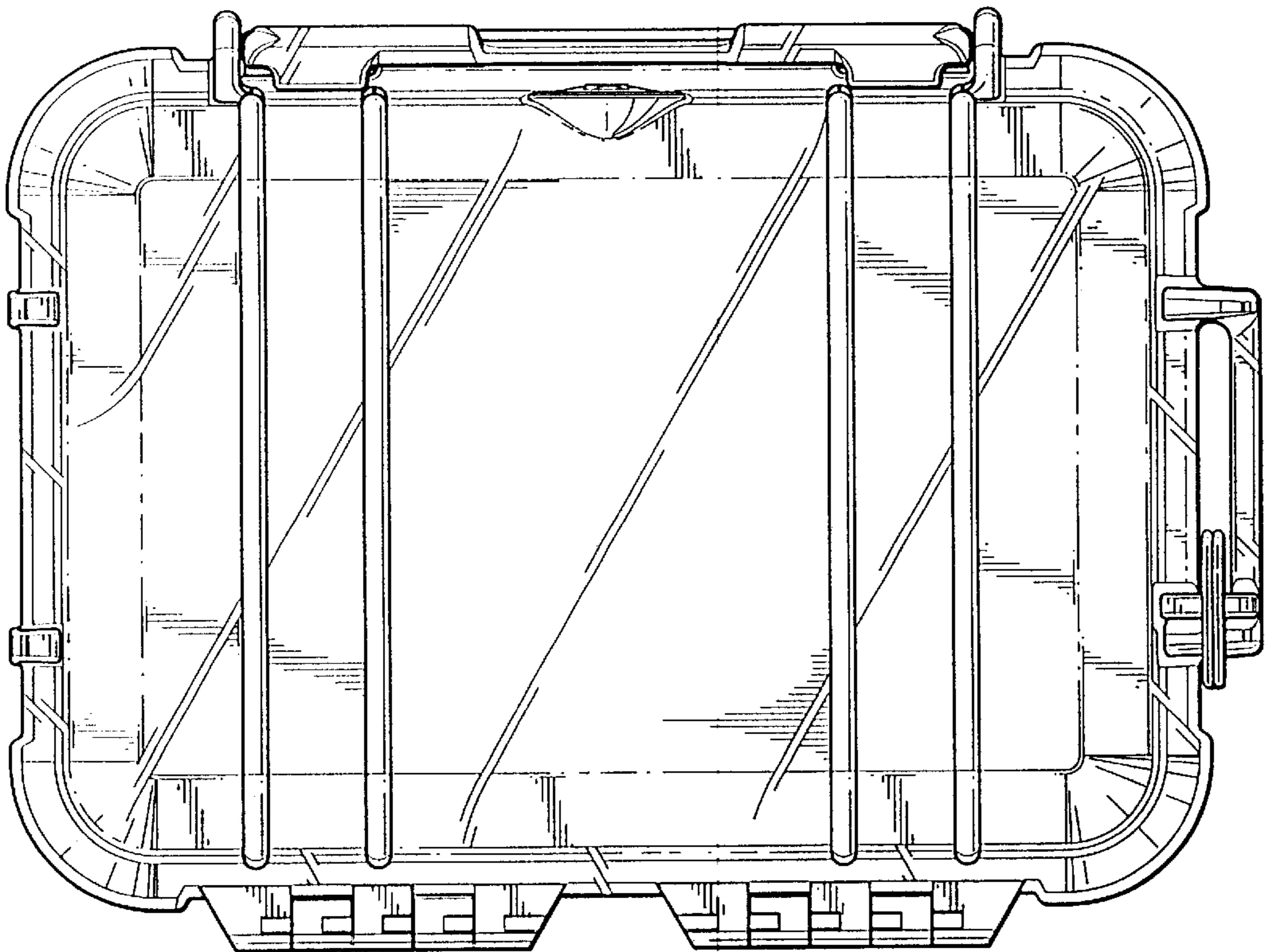


FIG. 31

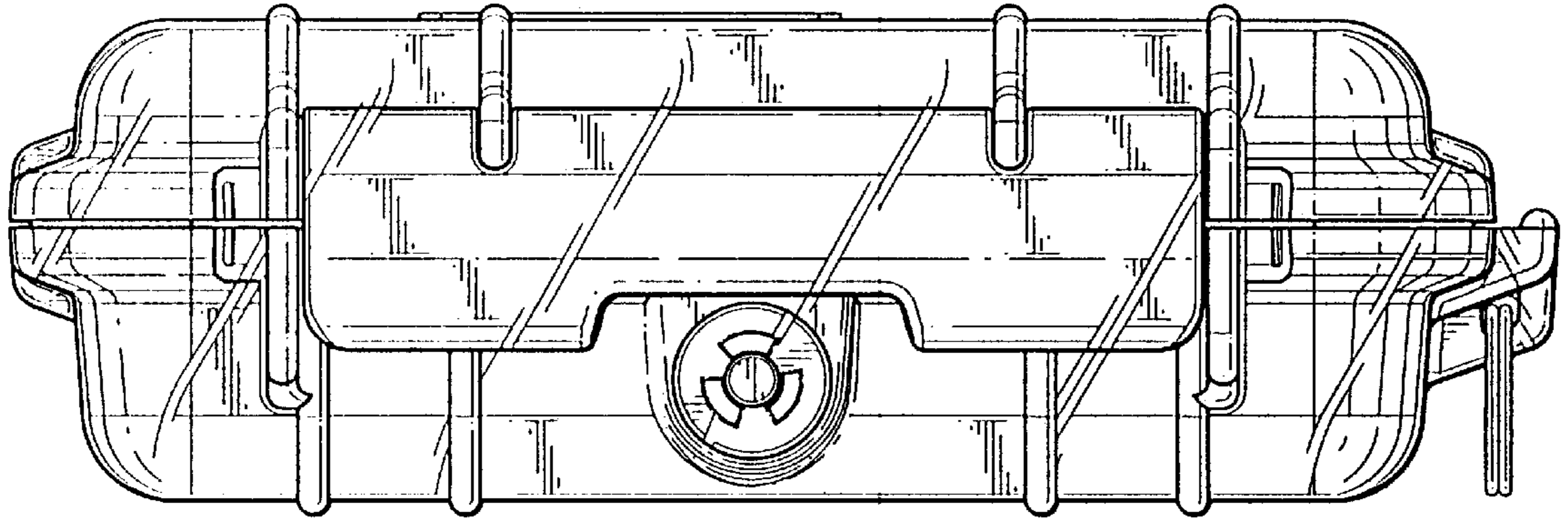


FIG. 32

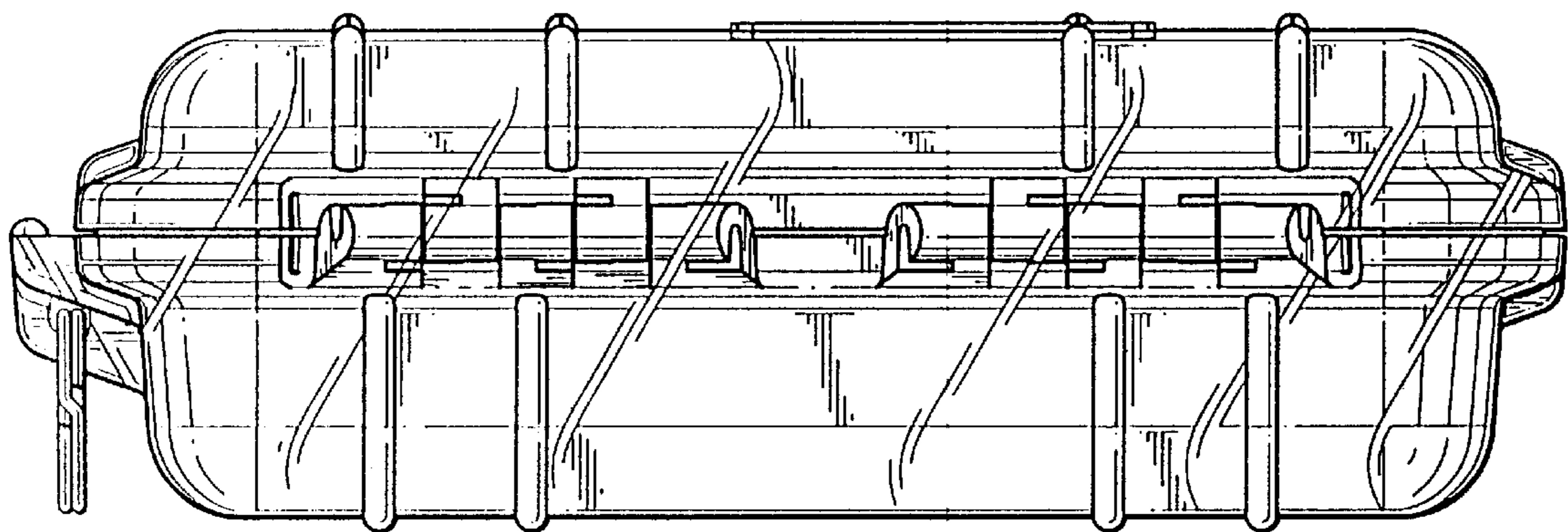


FIG. 33

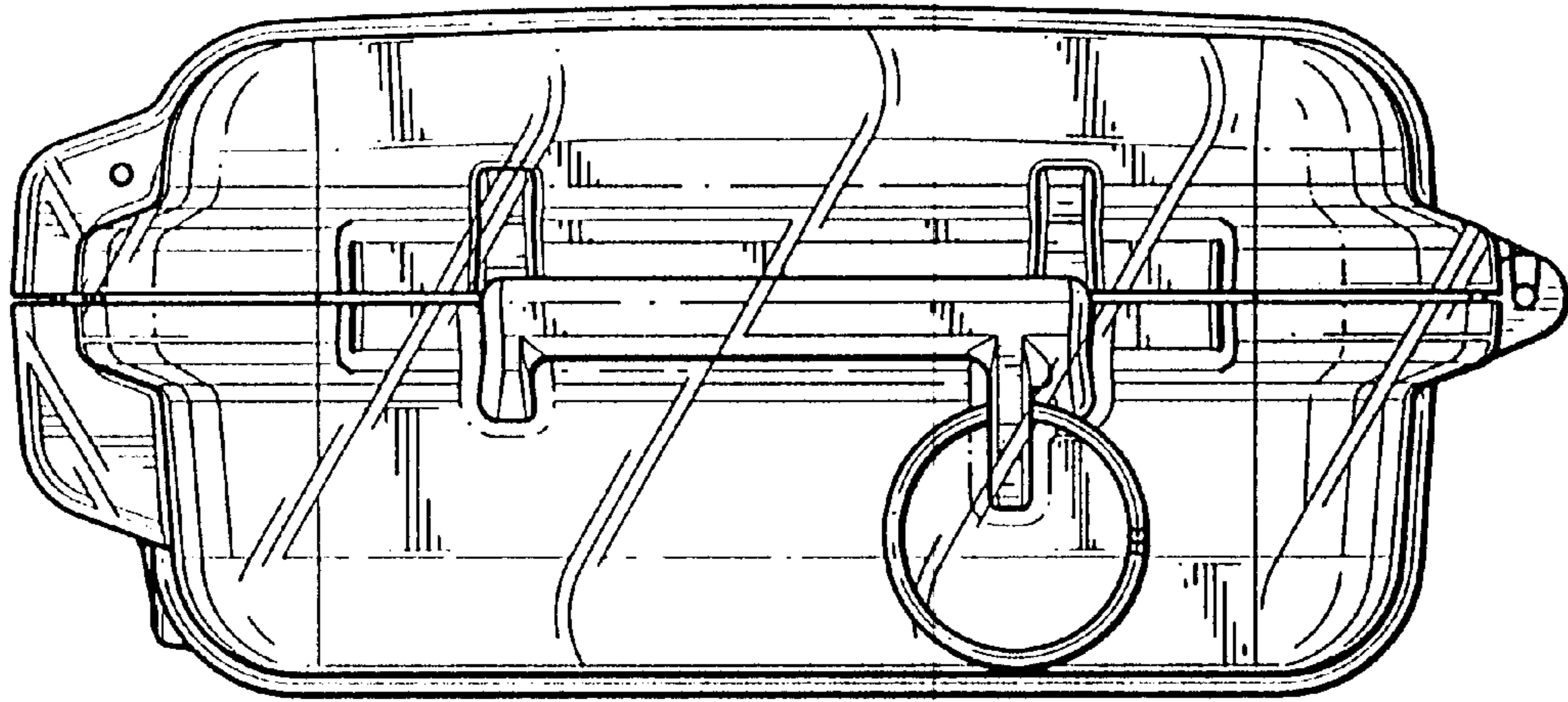


FIG. 34

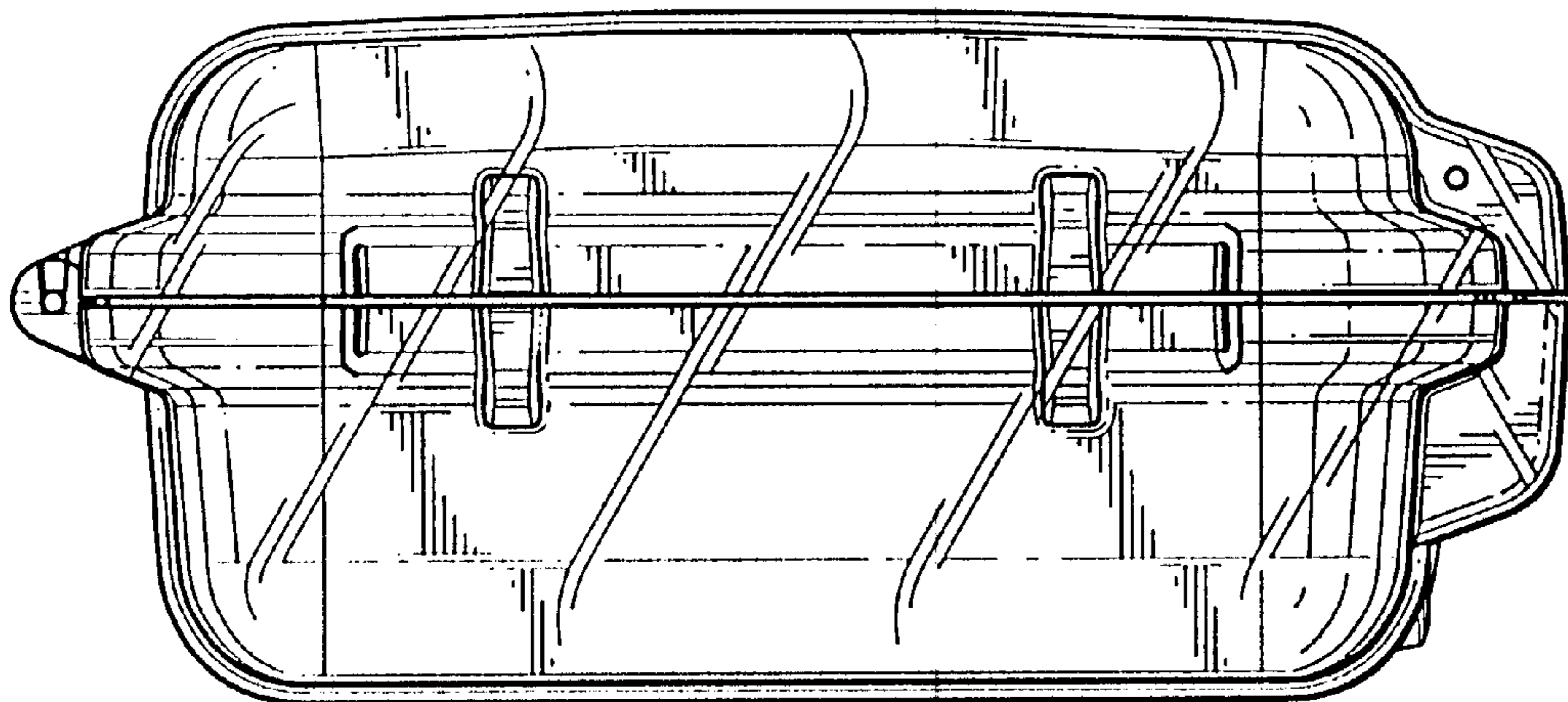


FIG. 35

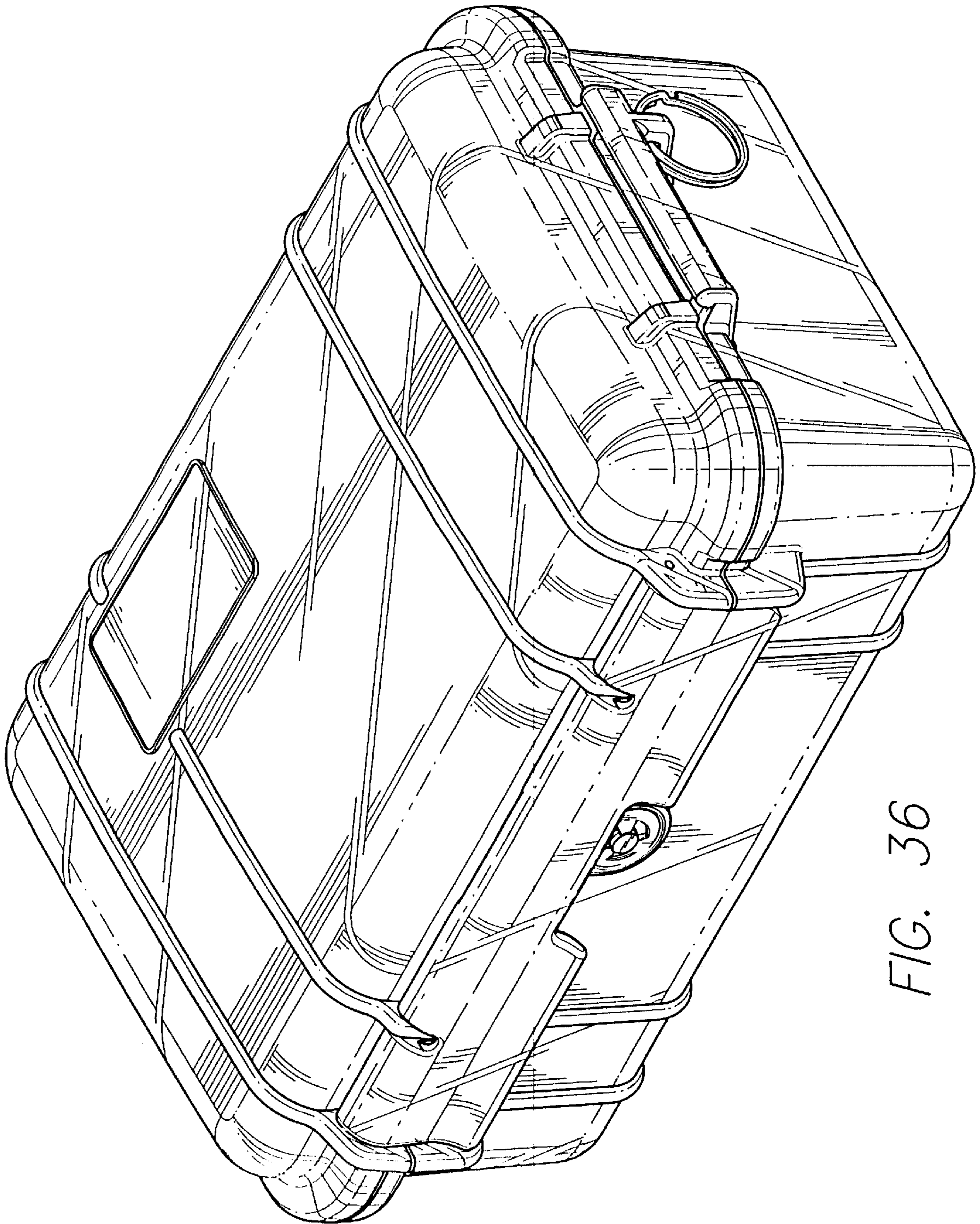


FIG. 36

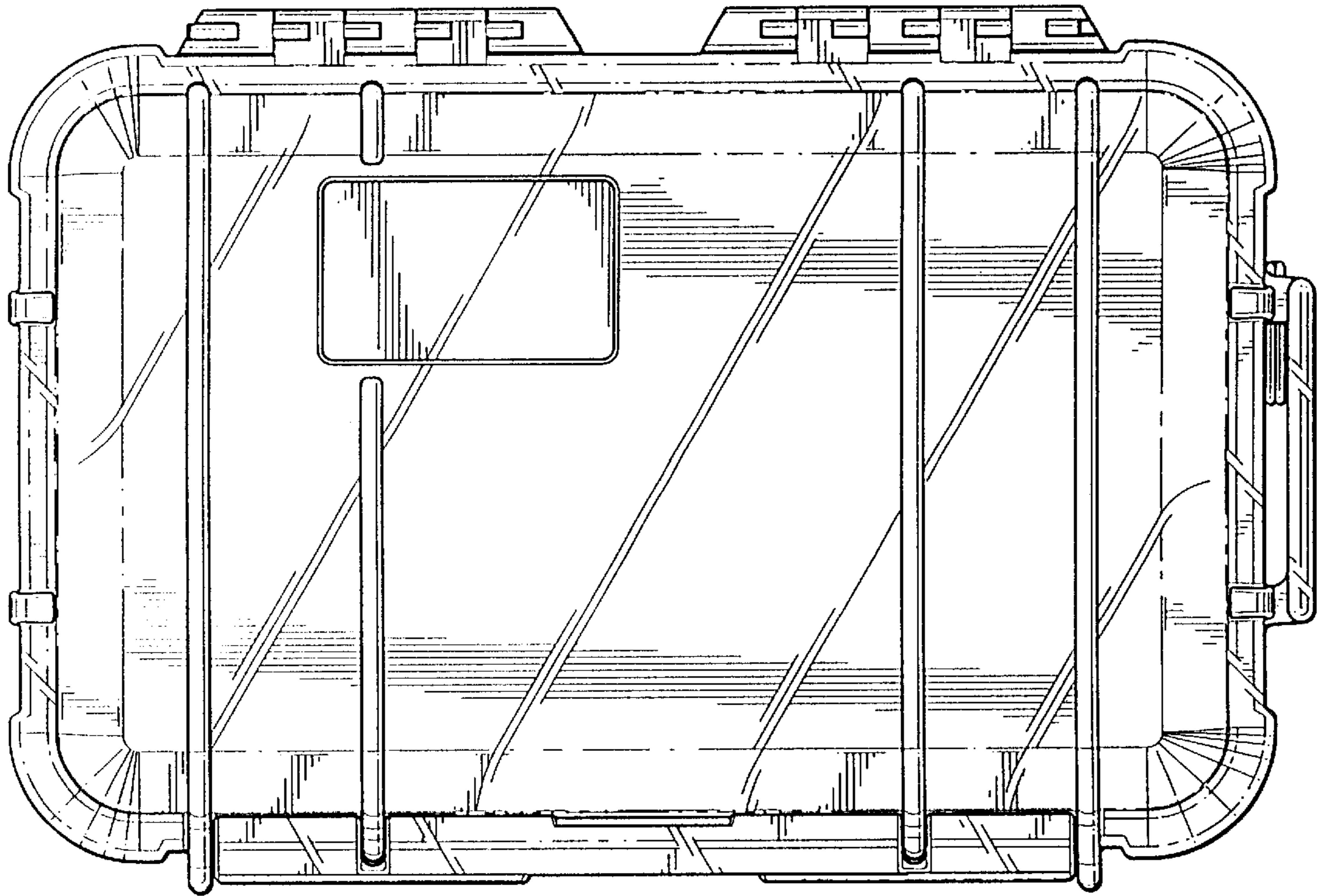


FIG. 37

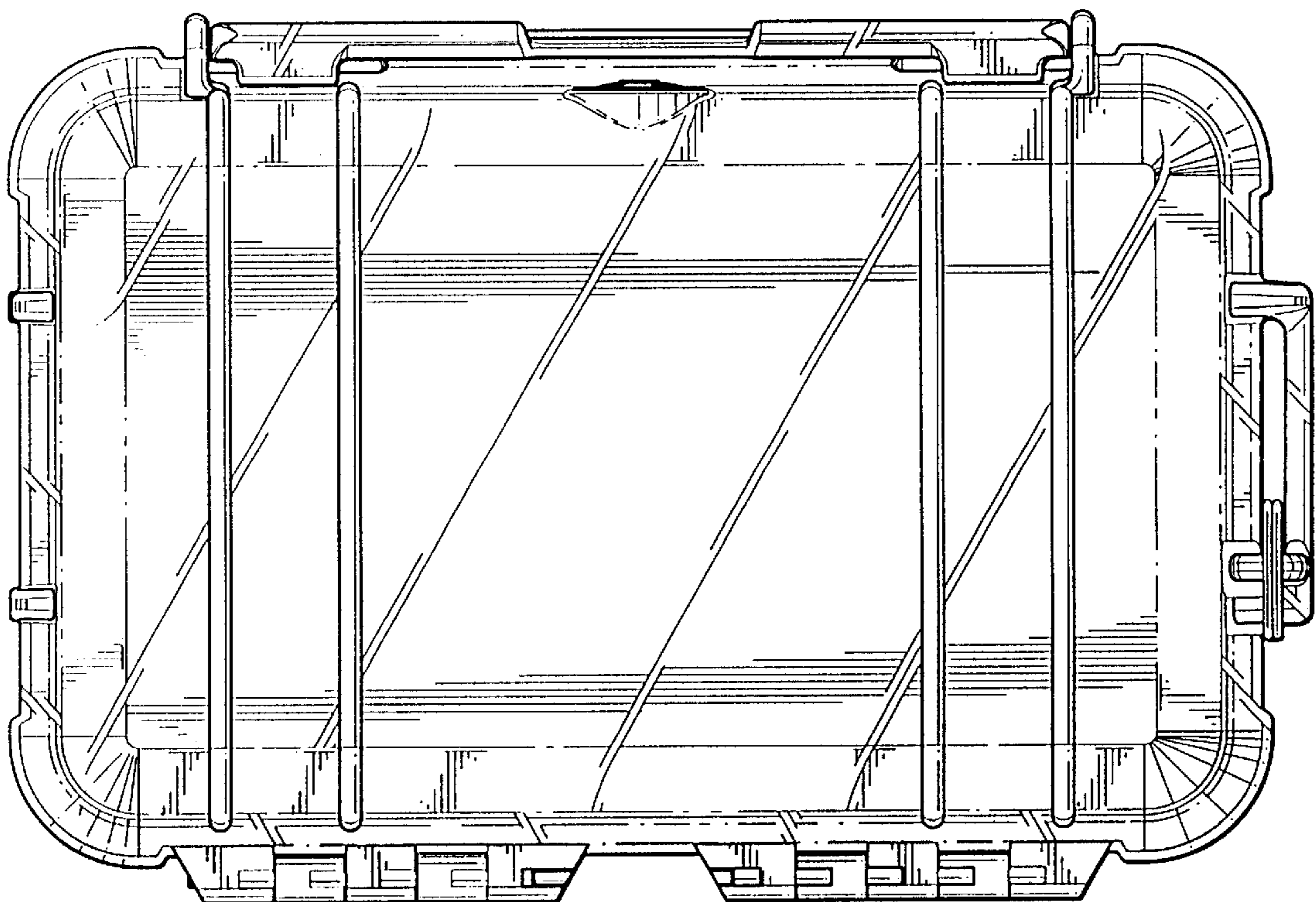


FIG. 38



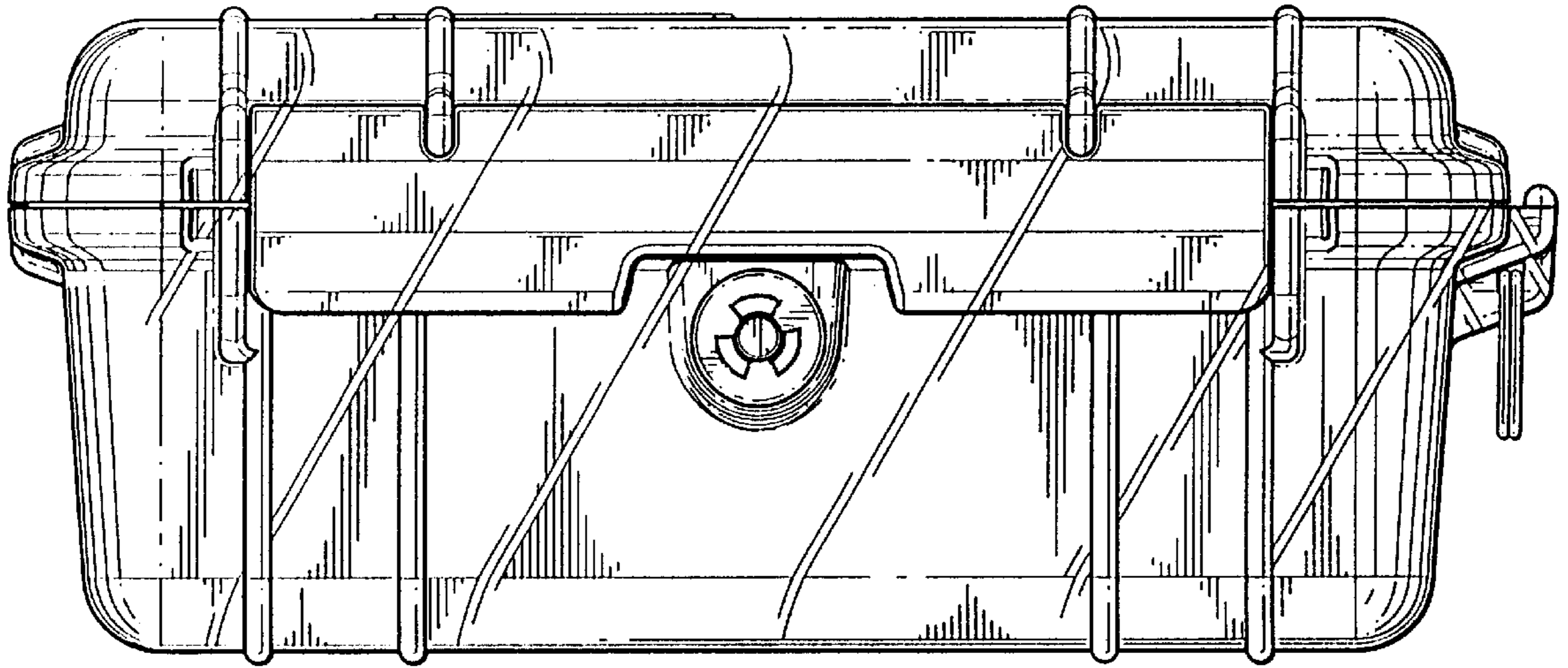


FIG. 39

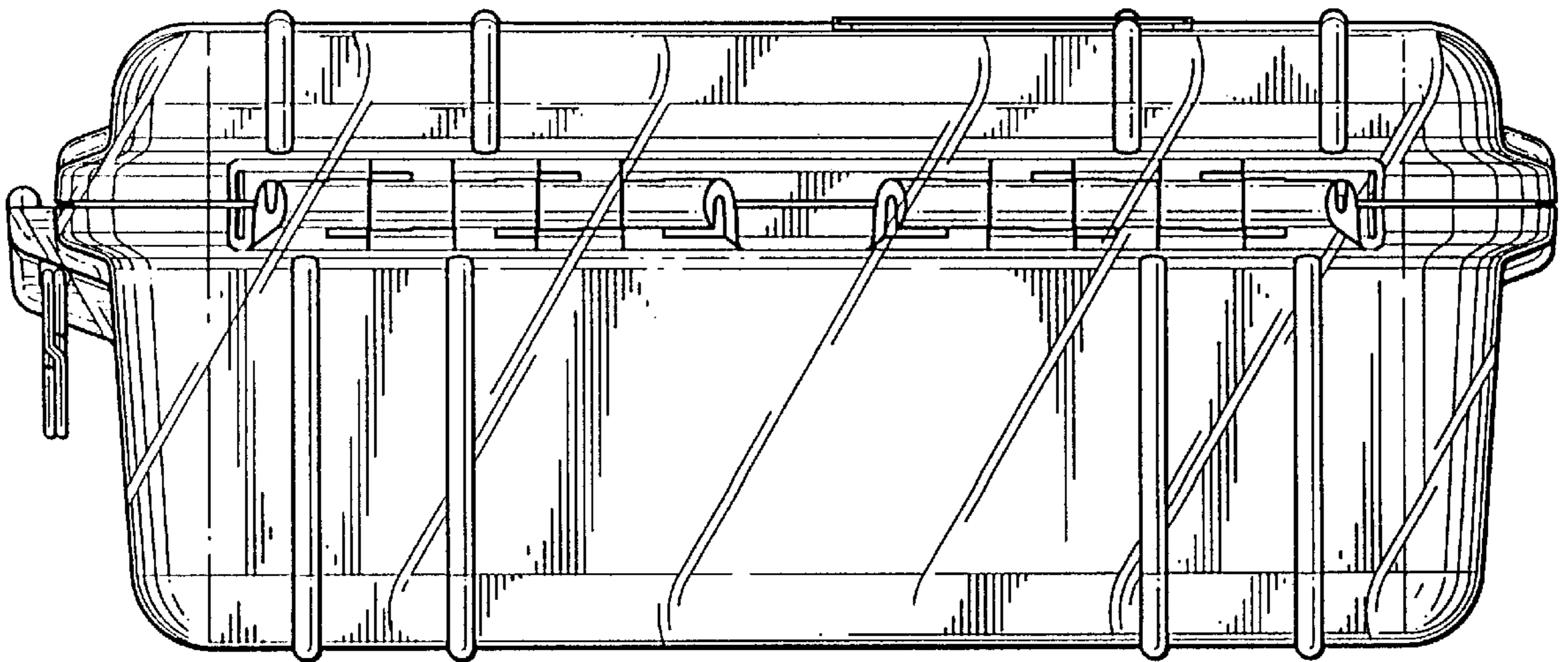


FIG. 40

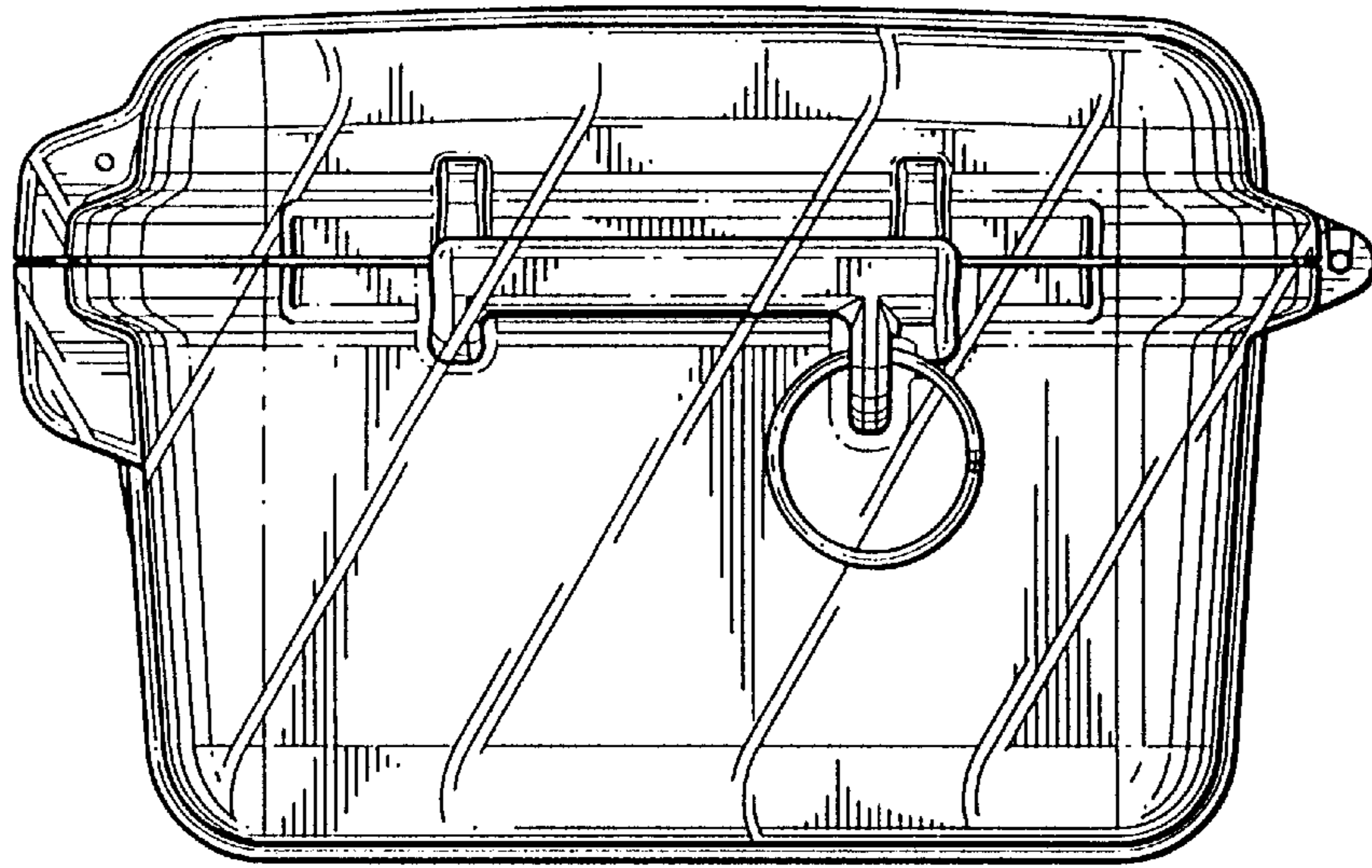


FIG. 41

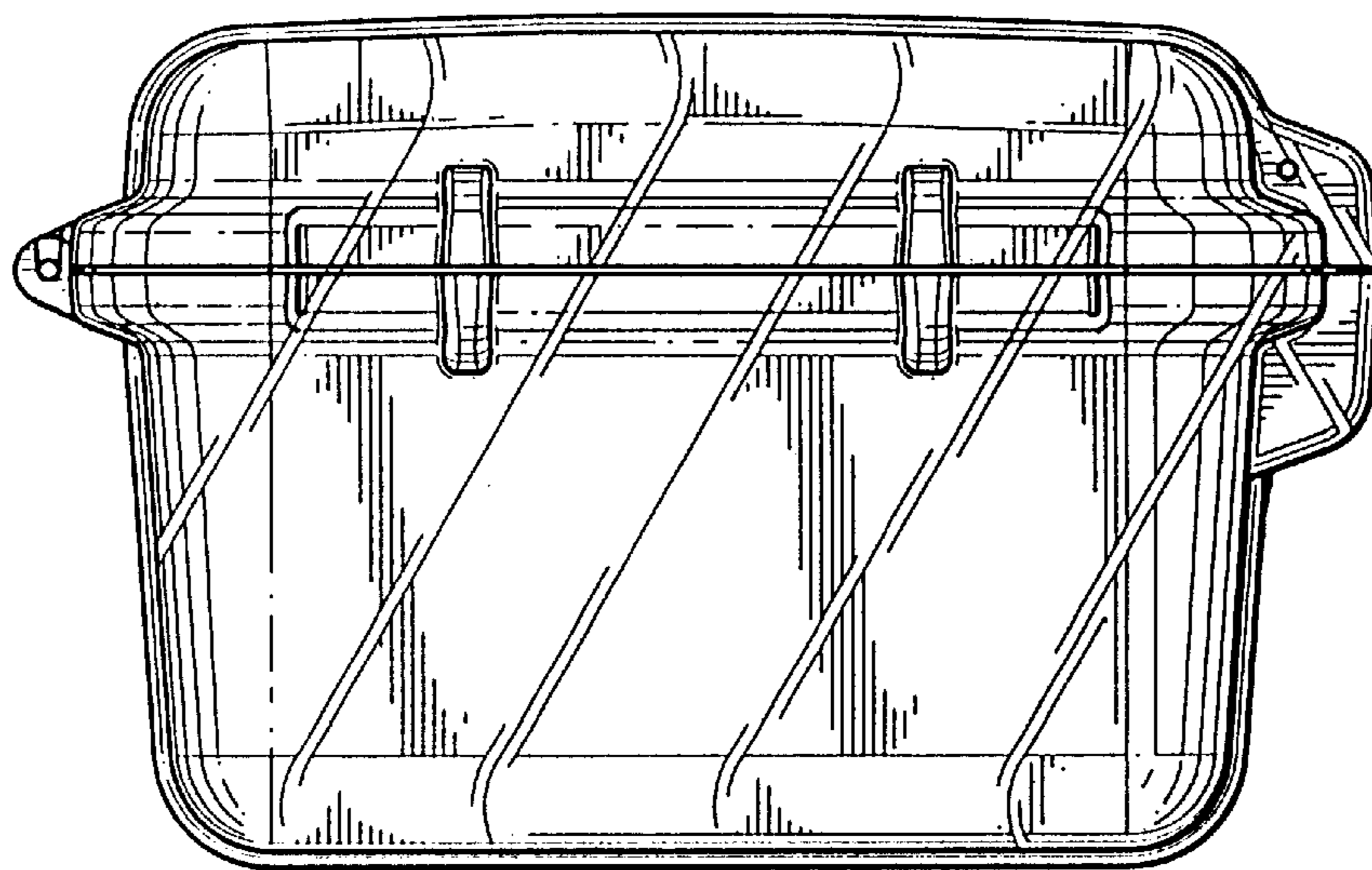


FIG. 42