



US00D465327S

(12) **United States Design Patent**
Sieger

(10) **Patent No.:** **US D465,327 S**

(45) **Date of Patent:** **** Nov. 12, 2002**

(54) **EYEGLASS HOLDER**

(76) **Inventor:** **Arlette Sieger**, 28 Wood Valley La.,
Port Washington, NY (US) 11050

(**) **Term:** **14 Years**

(21) **Appl. No.:** **29/144,854**

(22) **Filed:** **Jul. 11, 2001**

(51) **LOC (7) Cl.** **03-01**

(52) **U.S. Cl.** **D3/266; D3/265; D3/219**

(58) **Field of Search** **D3/219, 264, 265,**
D3/266; D9/314, 451; D16/130; 24/3.3,
3.11, 36; 206/5, 5.1; 248/205.3, 229.6,
231.54, 309.1, 316.7, 902

(56) **References Cited**

U.S. PATENT DOCUMENTS

| | | | | |
|-------------|---|---------|-------------|------------|
| D178,995 S | * | 10/1956 | Glover | |
| D269,619 S | * | 7/1983 | Engelmann | D3/266 |
| 4,809,406 A | * | 3/1989 | Tsai | 24/36 |
| D312,922 S | * | 12/1990 | Levy et al. | D3/266 |
| 5,000,410 A | * | 3/1991 | Beavers | 248/205.3 |
| D329,246 S | * | 9/1992 | Eppenauer | D3/266 |
| 5,318,292 A | * | 6/1994 | Marco | 24/3.11 |
| 5,842,613 A | * | 12/1998 | White | |
| 5,860,191 A | * | 1/1999 | Sieger | 24/3.3 |
| 5,941,487 A | * | 8/1999 | Keely | 248/231.51 |
| 5,975,476 A | * | 11/1999 | Mancinelli | 248/316.7 |
| D437,113 S | * | 2/2001 | Koehler | D3/219 |

| | | | | |
|------------|---|---------|----------------|--------|
| D440,400 S | * | 4/2001 | Baldwin et al. | D3/266 |
| D445,251 S | * | 7/2001 | Newler | D3/266 |
| D448,554 S | * | 10/2001 | Zelman | D3/219 |
| D448,563 S | * | 10/2001 | Kim | D3/266 |

* cited by examiner

Primary Examiner—Celia Murphy

(74) *Attorney, Agent, or Firm*—Scully, Scott, Murphy & Presser

(57) **CLAIM**

The ornamental design for an eyeglass holder, as shown and described.

DESCRIPTION

FIG. 1 is a side view of an eyeglass holder showing my new design;

FIG. 2 illustrates a longitudinal-sectional view of FIG. 1 shown in mirror-image thereof;

FIG. 3 illustrates a top plan view thereof;

FIG. 4 illustrates a top perspective view thereof;

FIG. 5 illustrates a right-side view thereof;

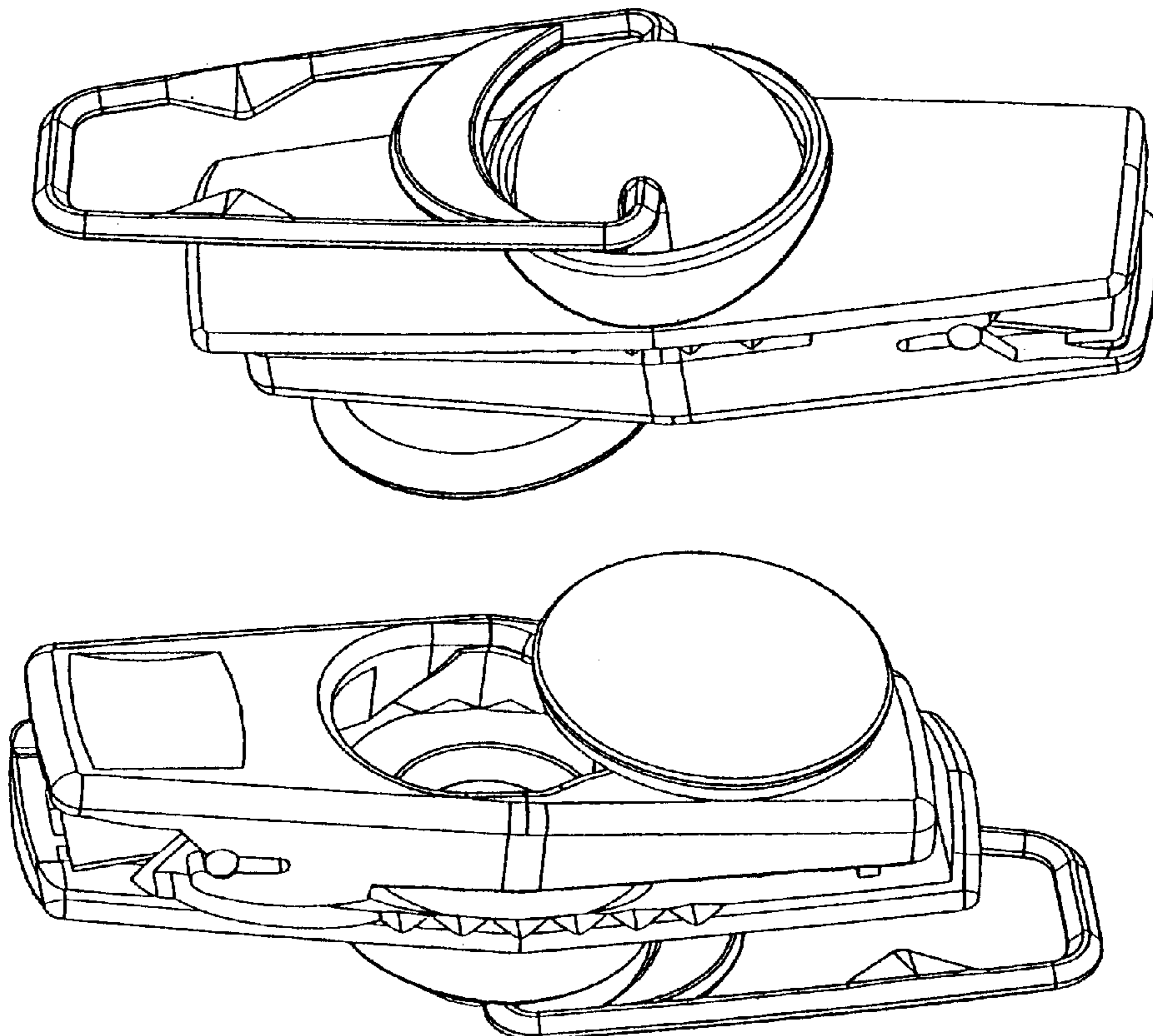
FIG. 6 illustrates a left-side view thereof;

FIG. 7 illustrates a bottom perspective view thereof;

FIG. 8 illustrates a top perspective view thereof as shown in FIG. 4 with the detachable button having been removed; and,

FIG. 9 illustrates a perspective view of the detachable button.

1 Claim, 3 Drawing Sheets



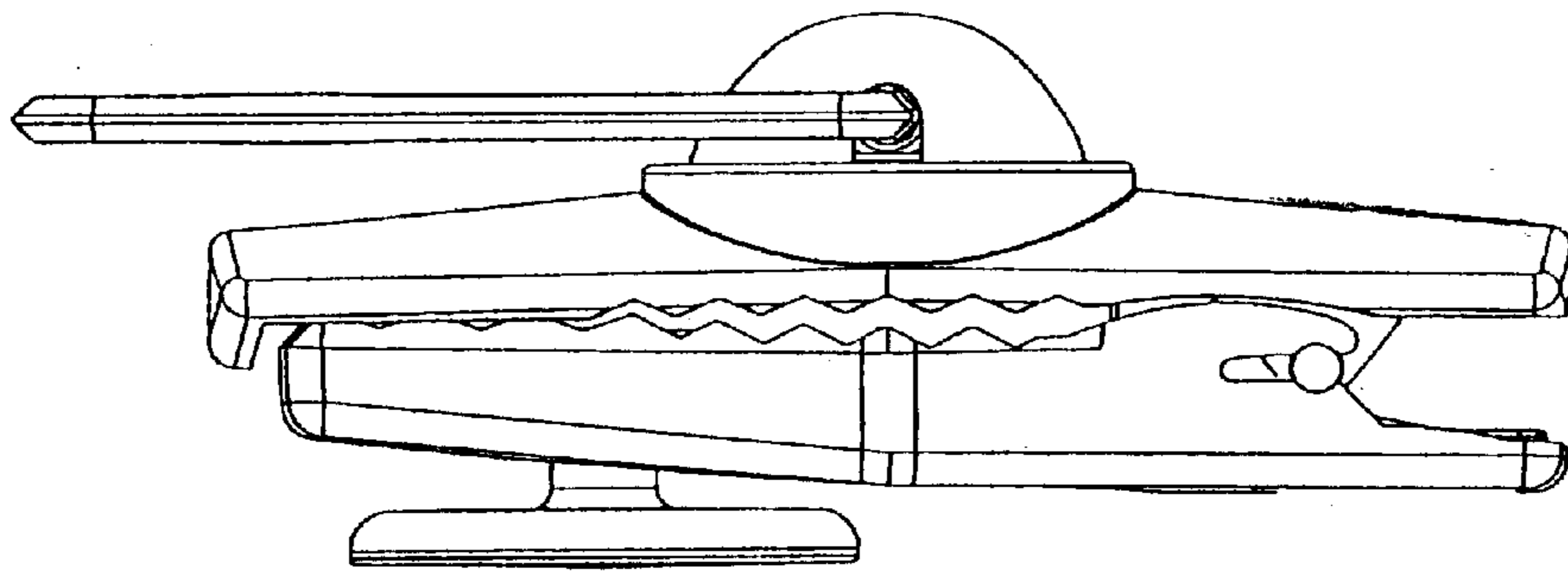


Fig. 1

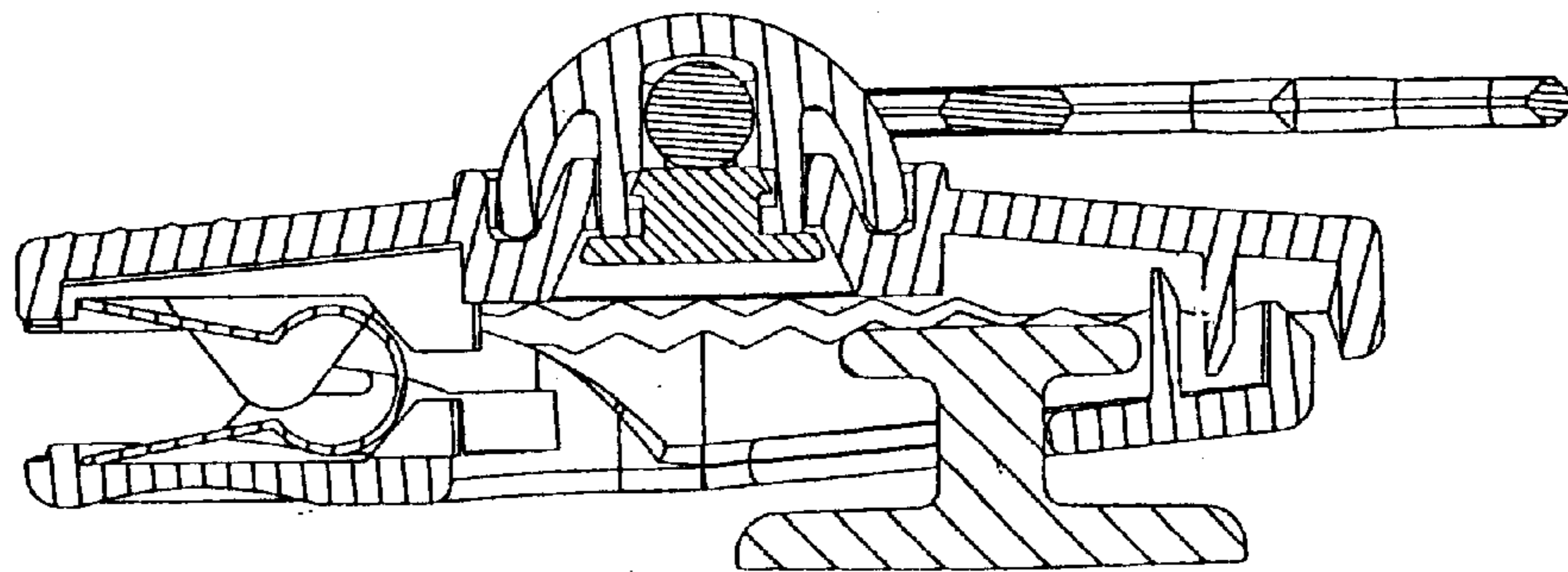


Fig. 2

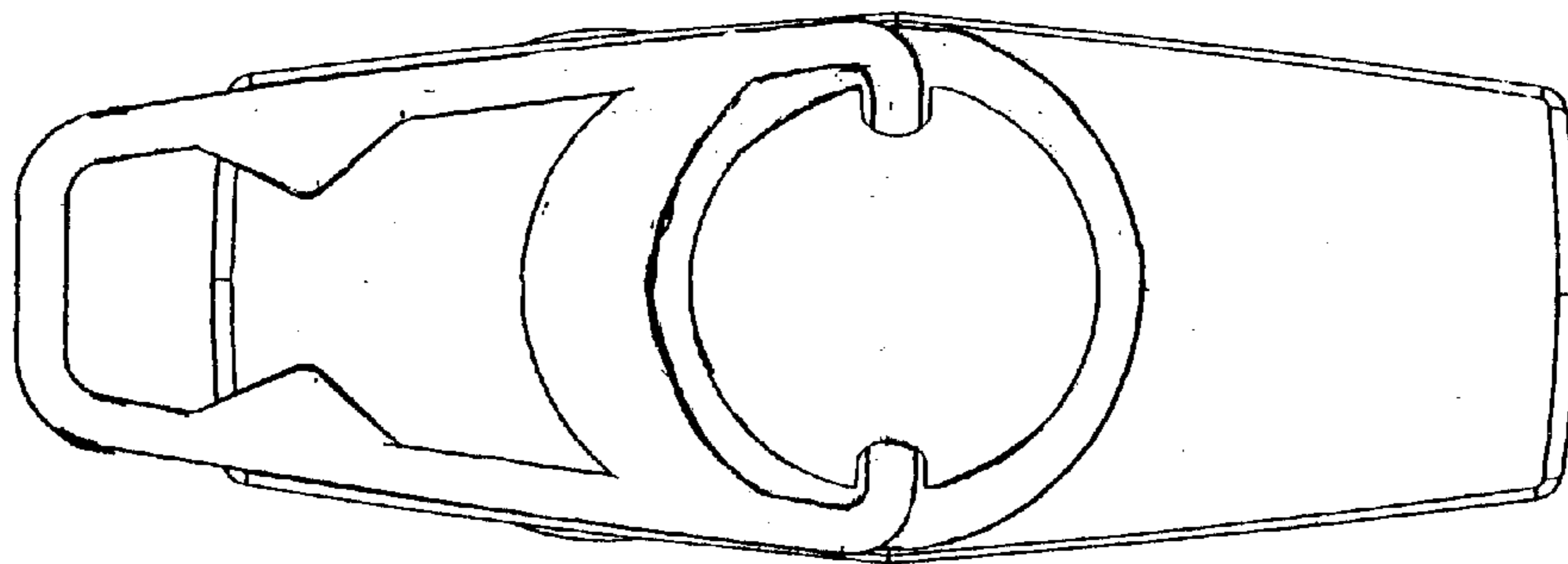


Fig. 3

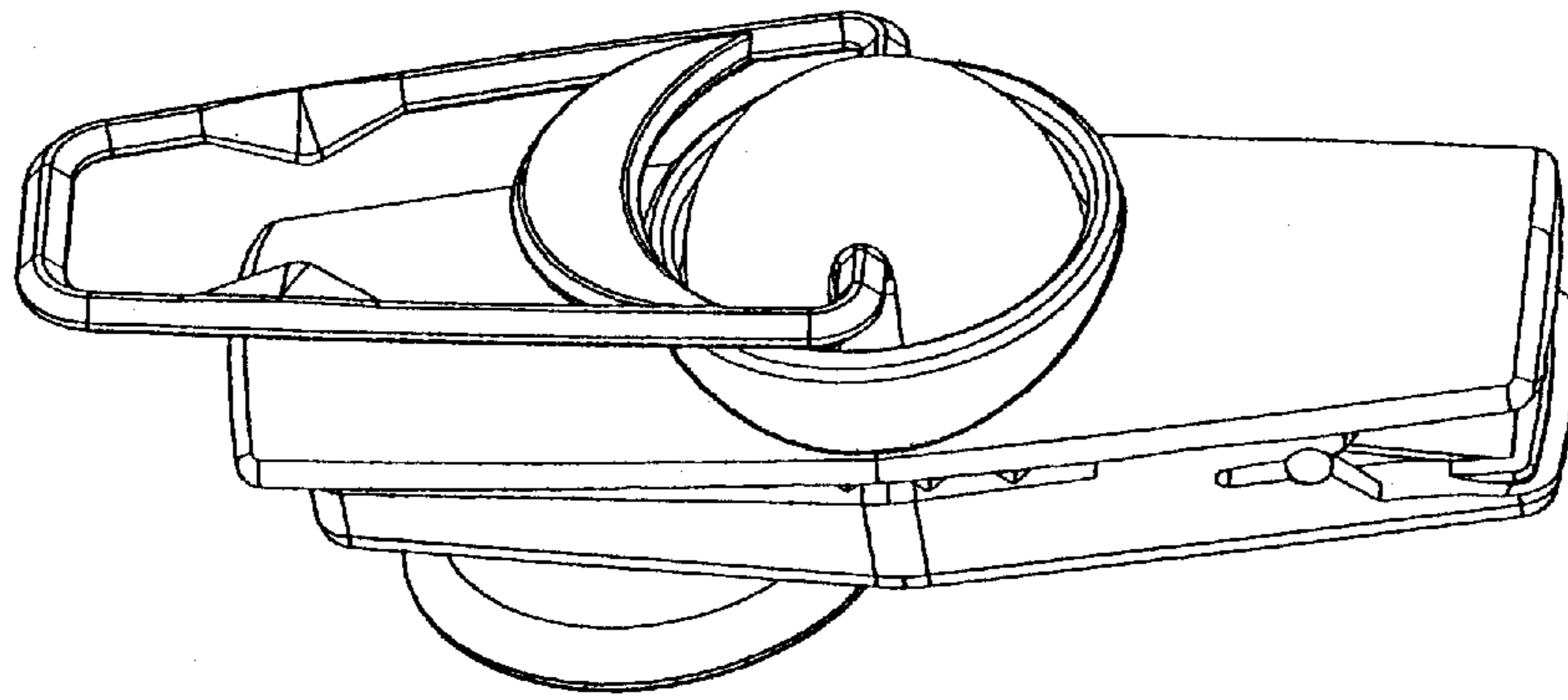


Fig. 4

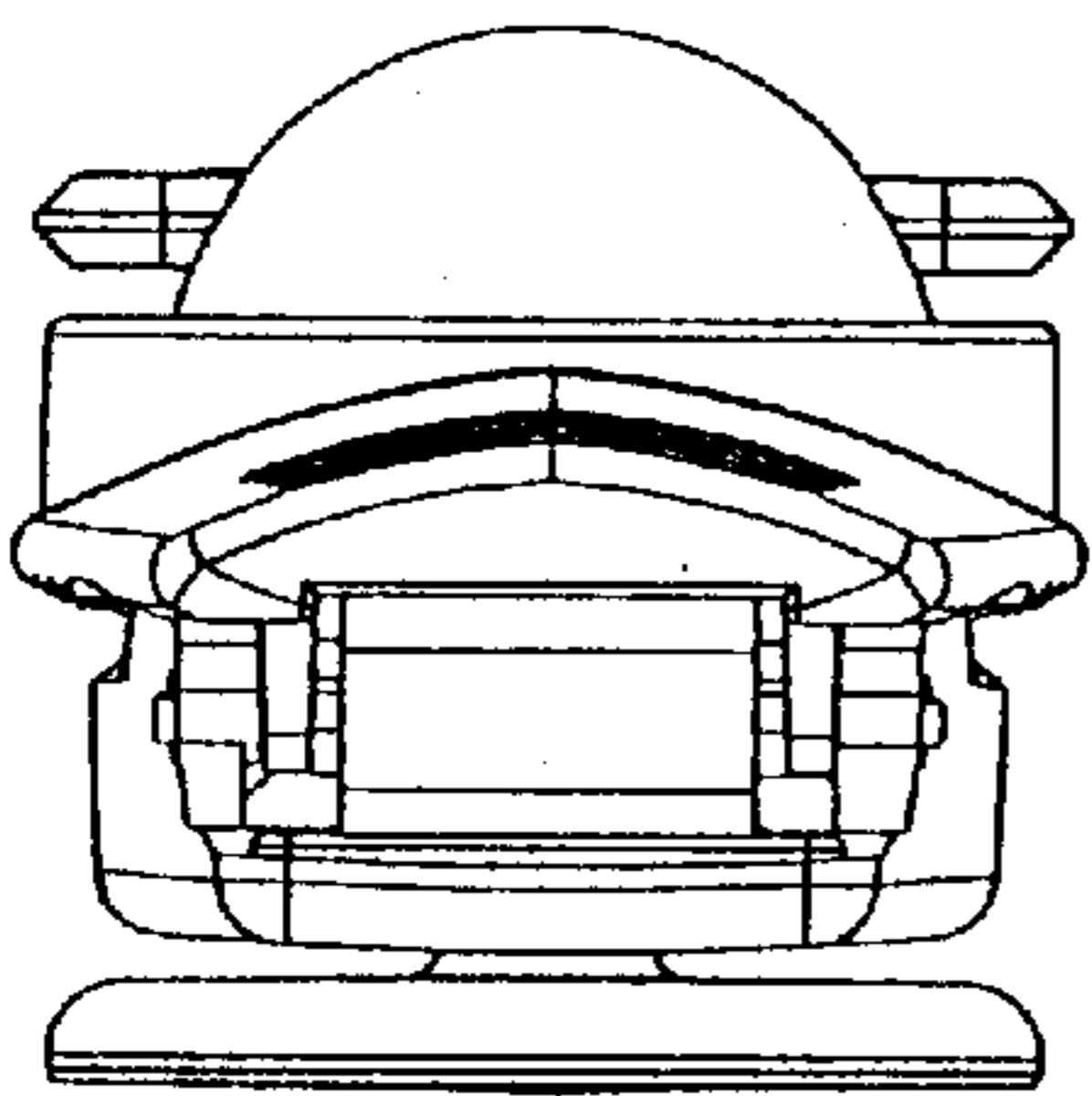


Fig. 5

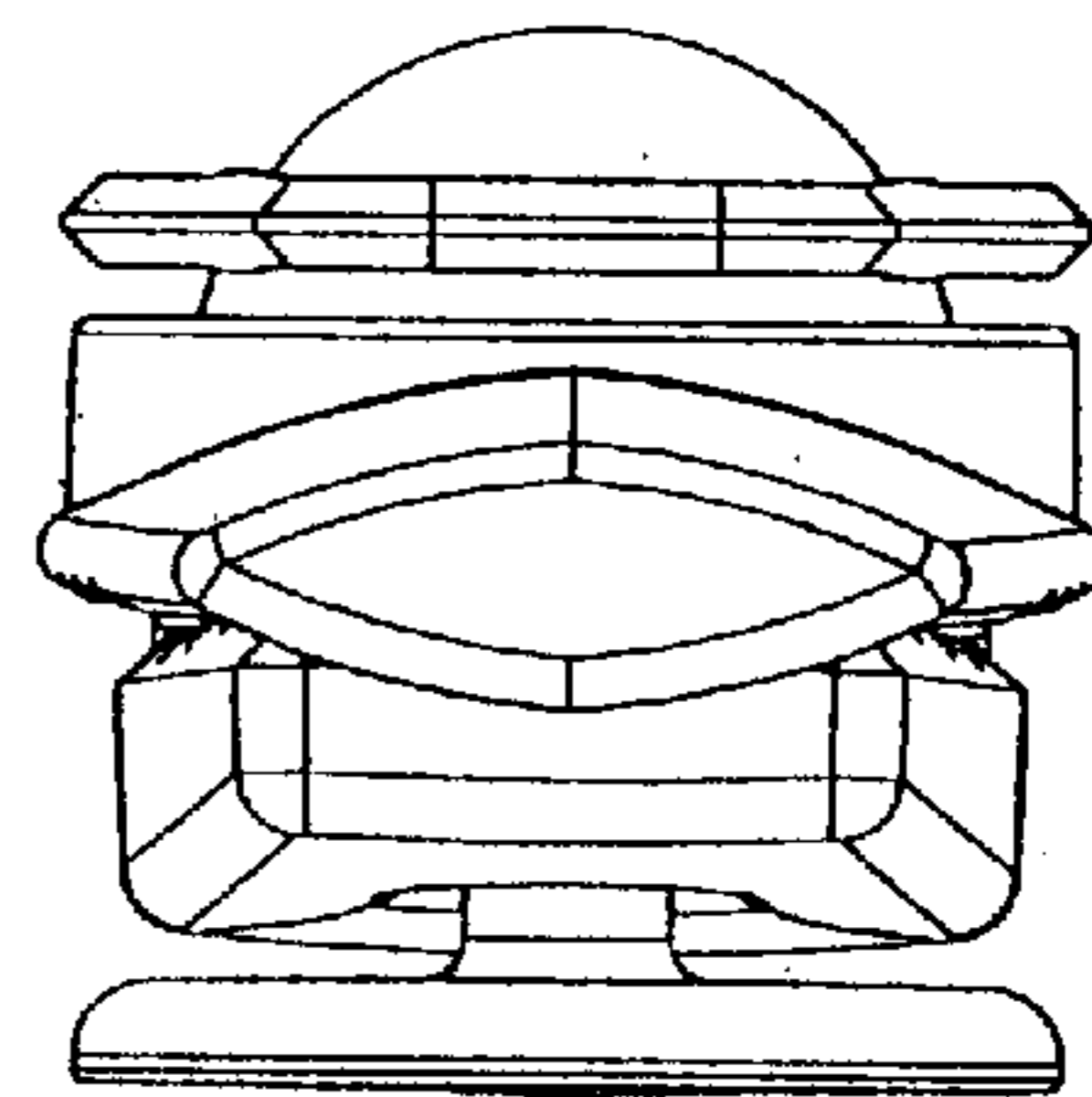


Fig. 6

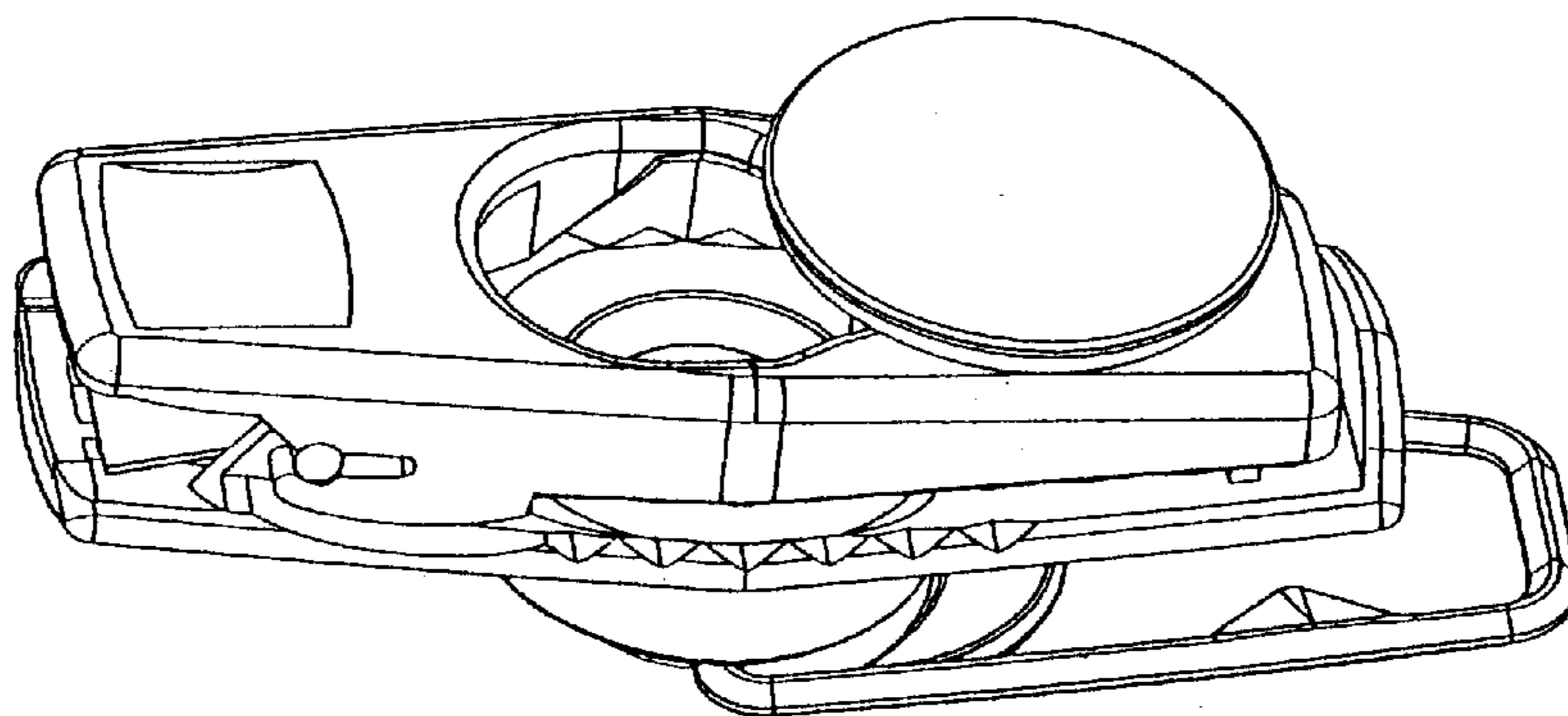


Fig. 7

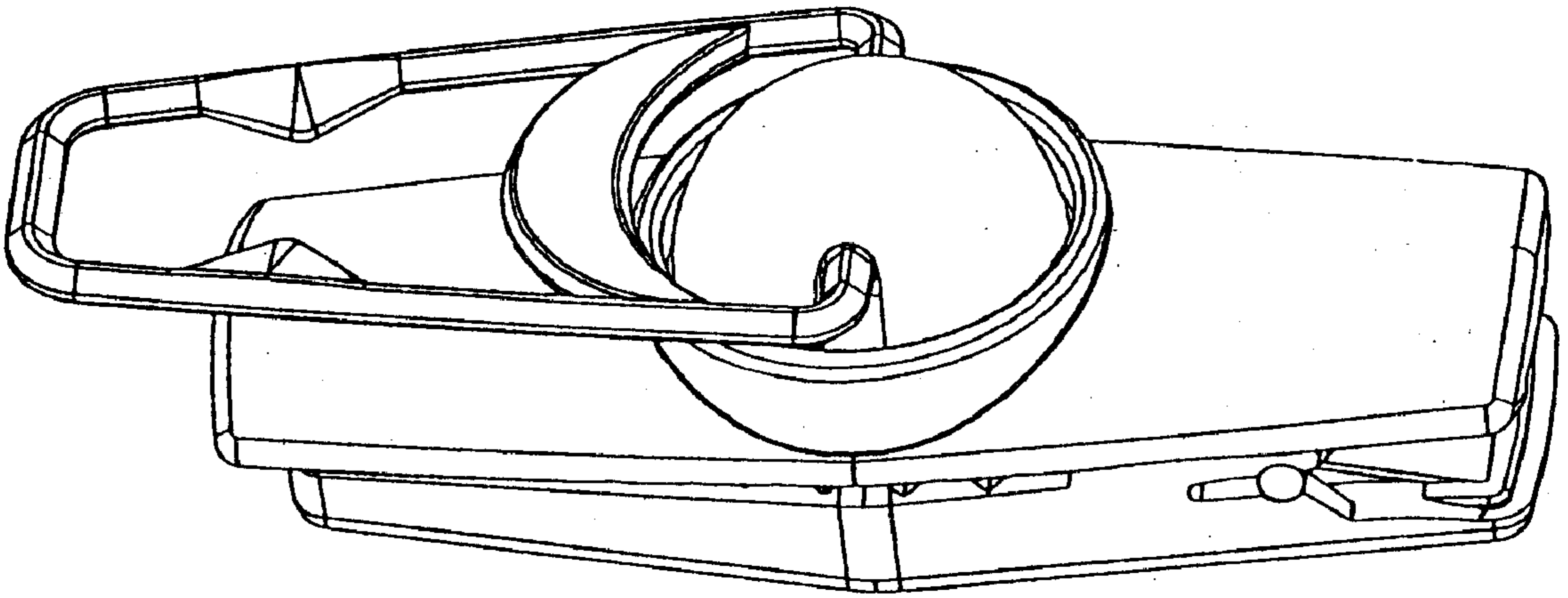


Fig. 8

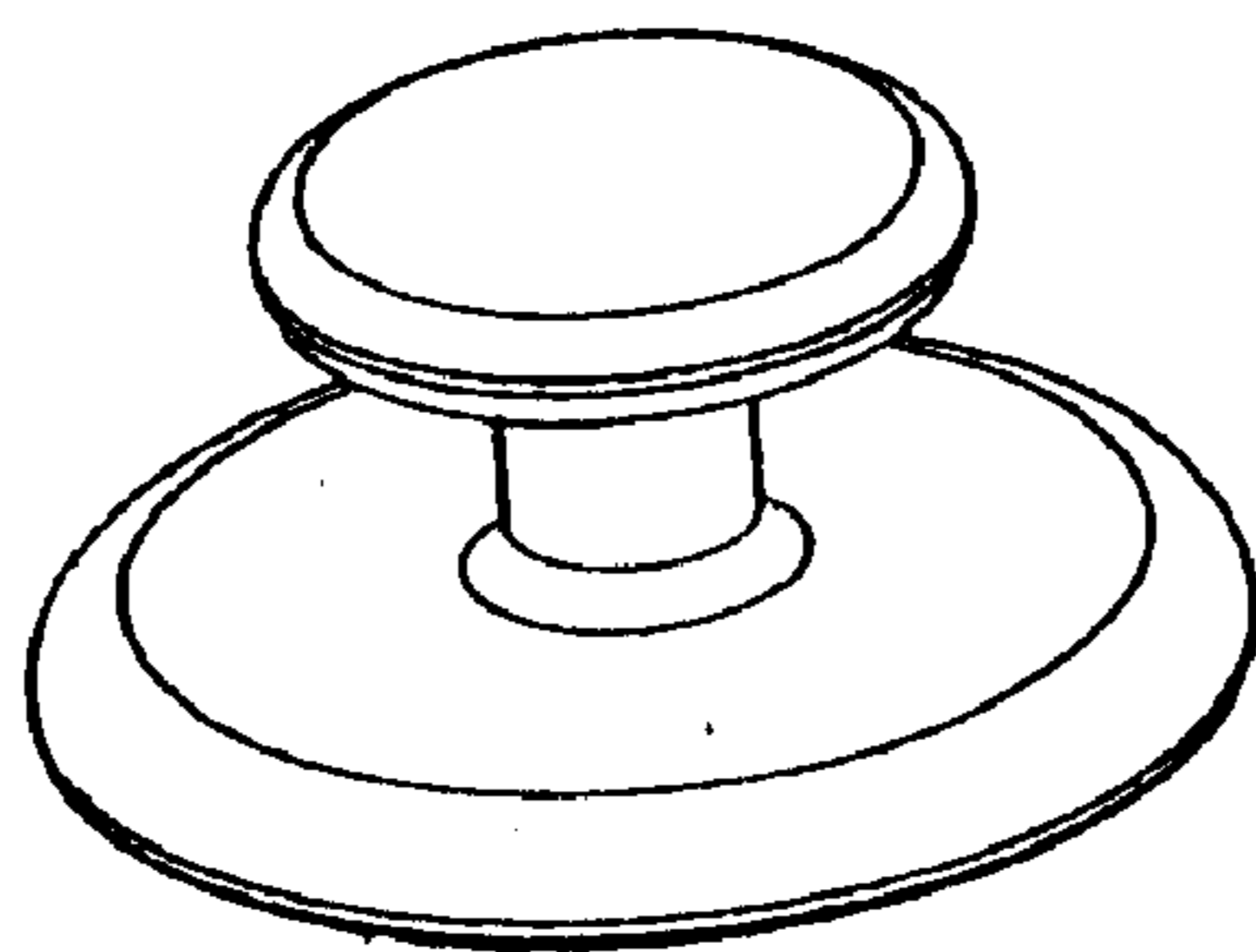


Fig. 9