



US00D465311S

(12) **United States Design Patent**  
**Hsu**

(10) **Patent No.:** **US D465,311 S**

(45) **Date of Patent:** **\*\* Nov. 5, 2002**

(54) **RUBBISH BIN**

D423,166 S \* 4/2000 Hornyak ..... D34/1  
D454,674 S \* 3/2002 Slear ..... D34/6

(75) Inventor: **Kevin Hsu**, Taichung (TW)

\* cited by examiner

(73) Assignee: **Dong Guan Bright Yin Huey Lighting Co., Ltd.**, Guang Dong (CN)

*Primary Examiner*—Cynthia E. Ramirez  
(74) *Attorney, Agent, or Firm*—Rosenberg, Klein & Lee

(\*\*) Term: **14 Years**

(57) **CLAIM**

(21) Appl. No.: **29/145,402**

The ornamental design for a rubbish bin, as shown and described.

(22) Filed: **Jul. 24, 2001**

(51) **LOC (7) Cl.** ..... **09-09**

(52) **U.S. Cl.** ..... **D34/1**

(58) **Field of Search** ..... D34/1, 5, 6, 7,  
D34/8; 220/908, 909, 910, 911

**DESCRIPTION**

FIG. 1 is a perspective view for a rubbish bin showing my new design;

FIG. 2 is a front elevation view thereof, the rear, the left and the right side elevation view thereof being identical in appearance;

FIG. 3 is a top plan view thereof; and,

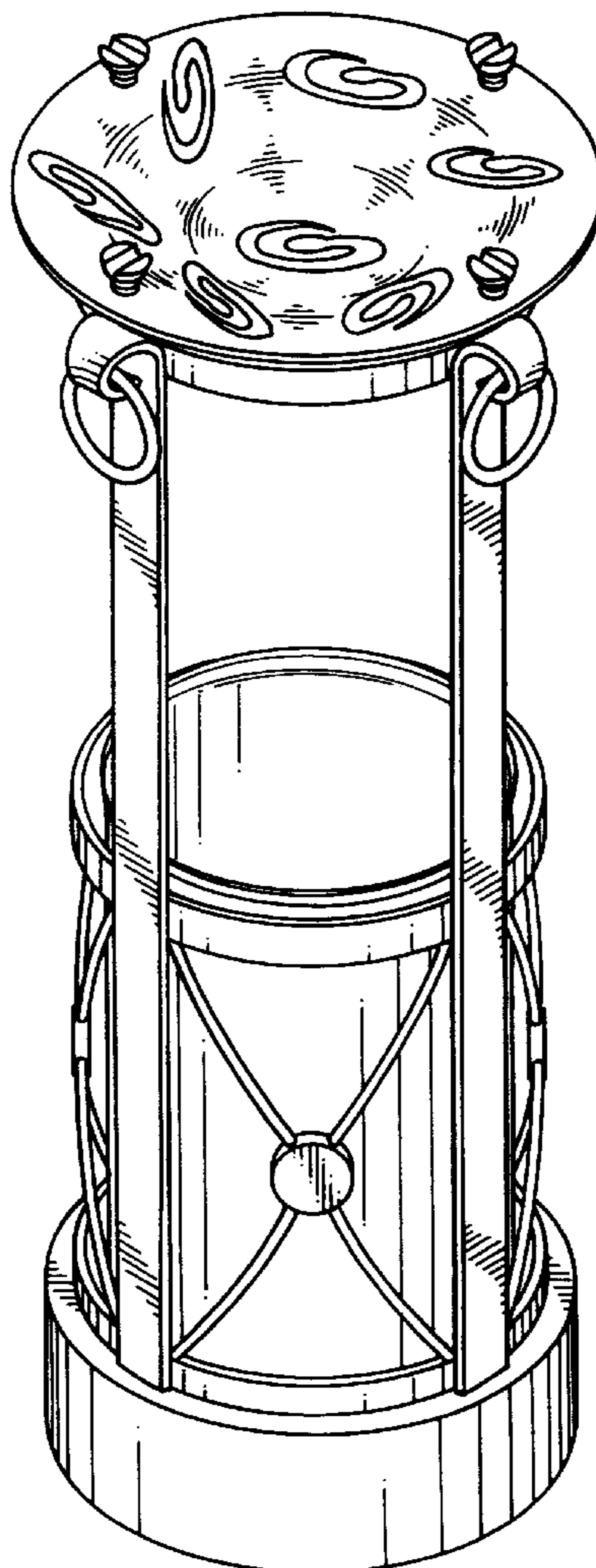
FIG. 4 is a bottom plan view thereof.

(56) **References Cited**

**U.S. PATENT DOCUMENTS**

D418,652 S \* 1/2000 Slear ..... D34/6  
D421,515 S \* 3/2000 Slear ..... D34/6  
D421,824 S \* 3/2000 Hornyak ..... D34/1

**1 Claim, 3 Drawing Sheets**



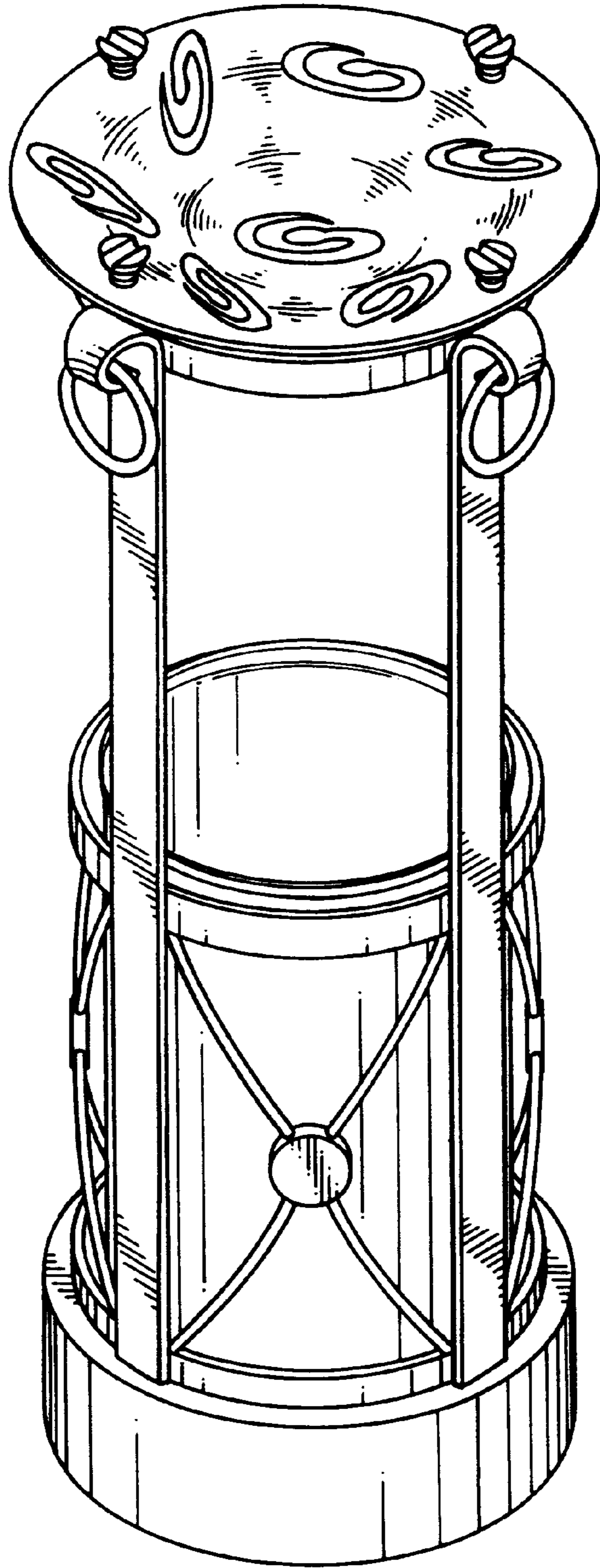


FIG. 1

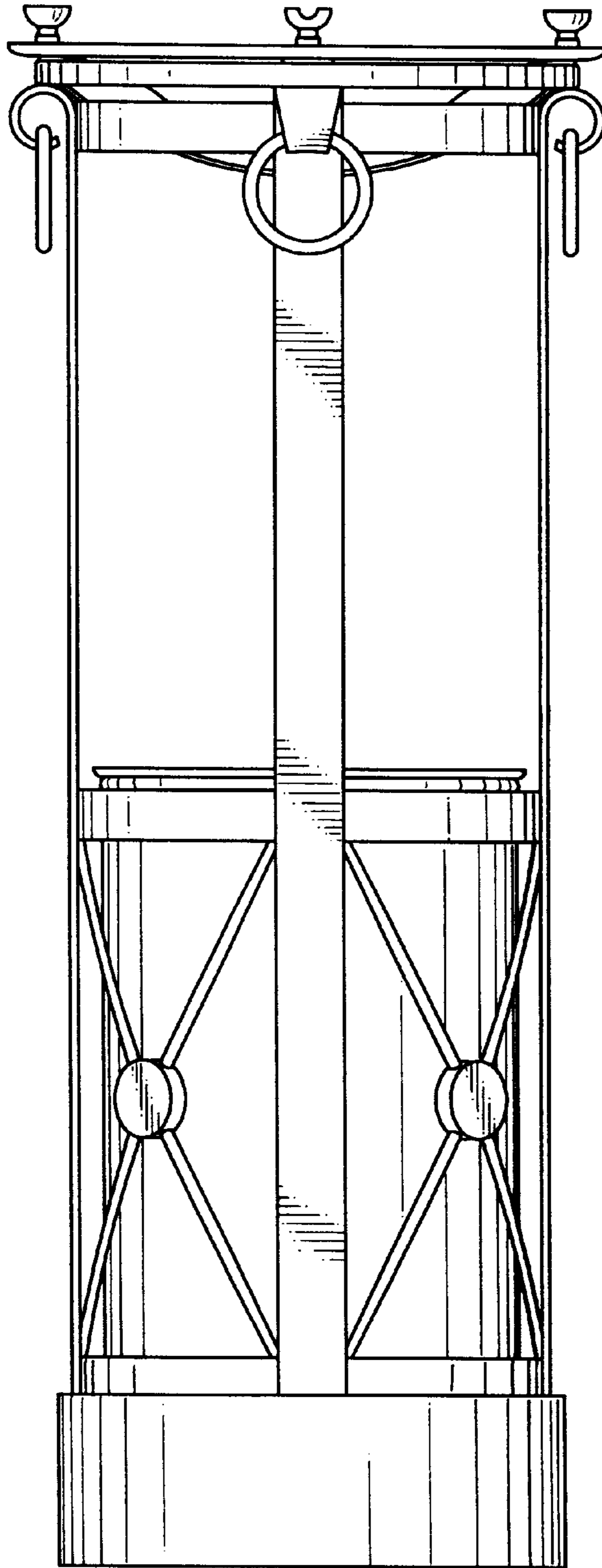


FIG. 2

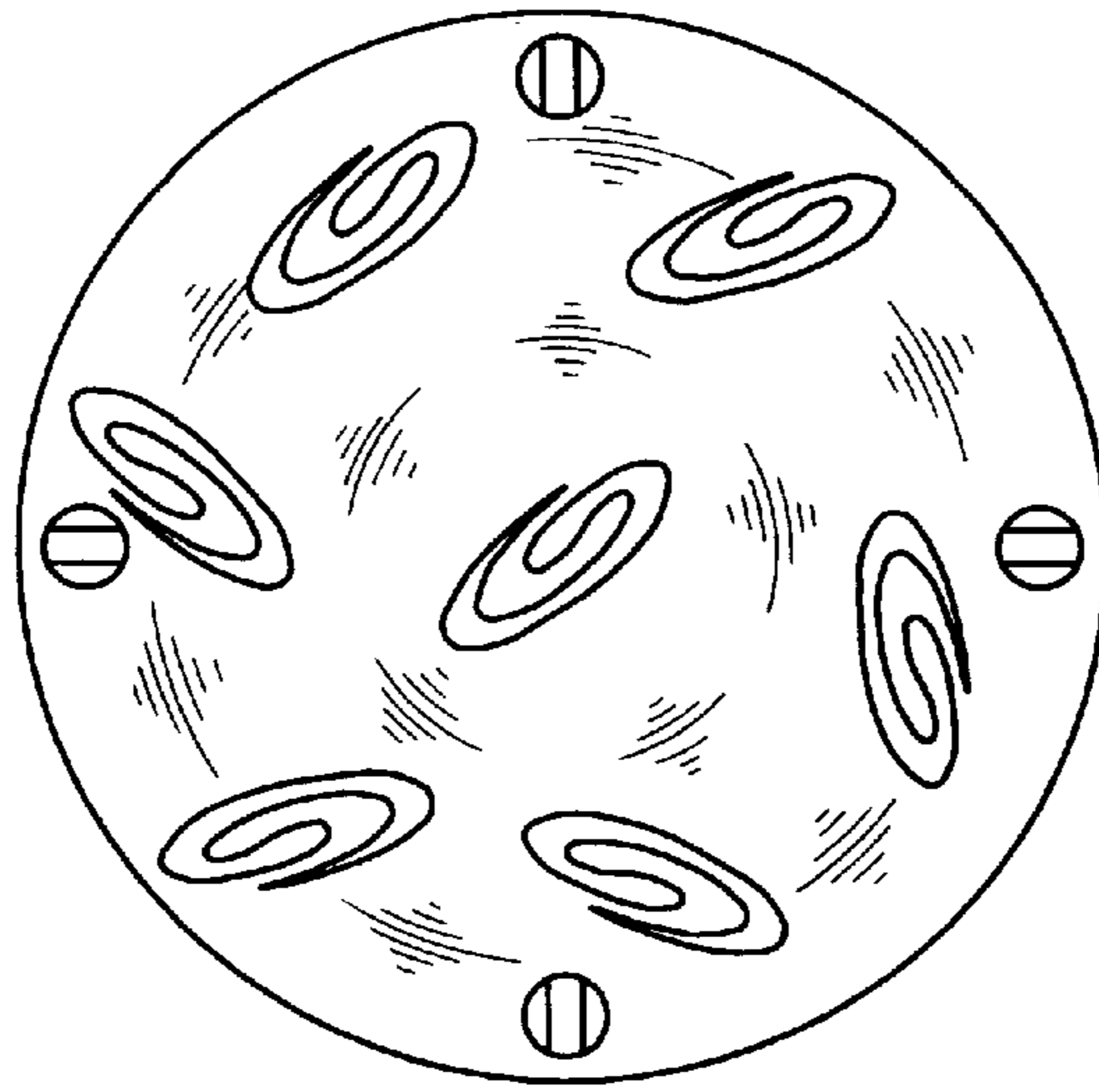


FIG. 3

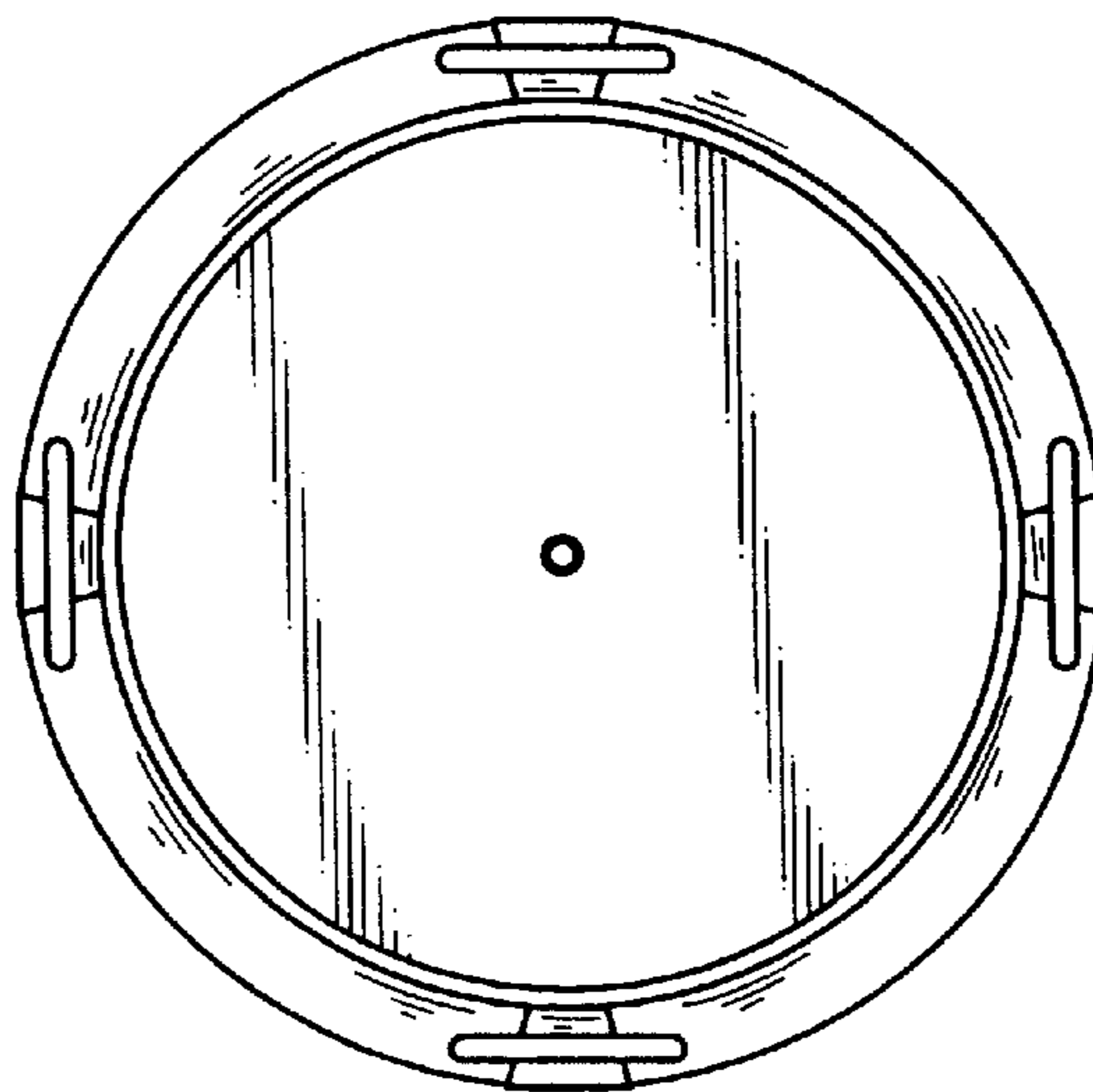


FIG. 4