



US00D465309S

(12) **United States Design Patent**  
**Foersterling**

(10) **Patent No.:** **US D465,309 S**

(45) **Date of Patent:** **\*\* Nov. 5, 2002**

(54) **CREASE REMOVER FOR CLOTH**

4,206,340 A \* 6/1980 Osrow et al. .... 38/69  
4,496,826 A \* 1/1985 Osrow ..... 38/69

(75) Inventor: **Klaus Foersterling**, Seligenstadt (DE)

\* cited by examiner

(73) Assignee: **Calor S.A.** (FR)

*Primary Examiner*—Jennifer Rivard

(\*\*) Term: **14 Years**

(74) *Attorney, Agent, or Firm*—Cantor Colburn LLP

(21) Appl. No.: **29/133,015**

(57) **CLAIM**

(22) Filed: **Nov. 20, 2000**

The ornamental design for a crease remover for cloth, as shown and described.

(30) **Foreign Application Priority Data**

**DESCRIPTION**

May 18, 2000 (FR) ..... 00 3078

(51) **LOC (7) Cl.** ..... **07-05**

(52) **U.S. Cl.** ..... **D32/35; D32/69**

(58) **Field of Search** ..... D32/35, 69, 71,  
D32/17; 68/222; 38/69, 74, 77.1, 77.5,  
77.8, 77.7, 88, 90, 94; 15/344; 392/454

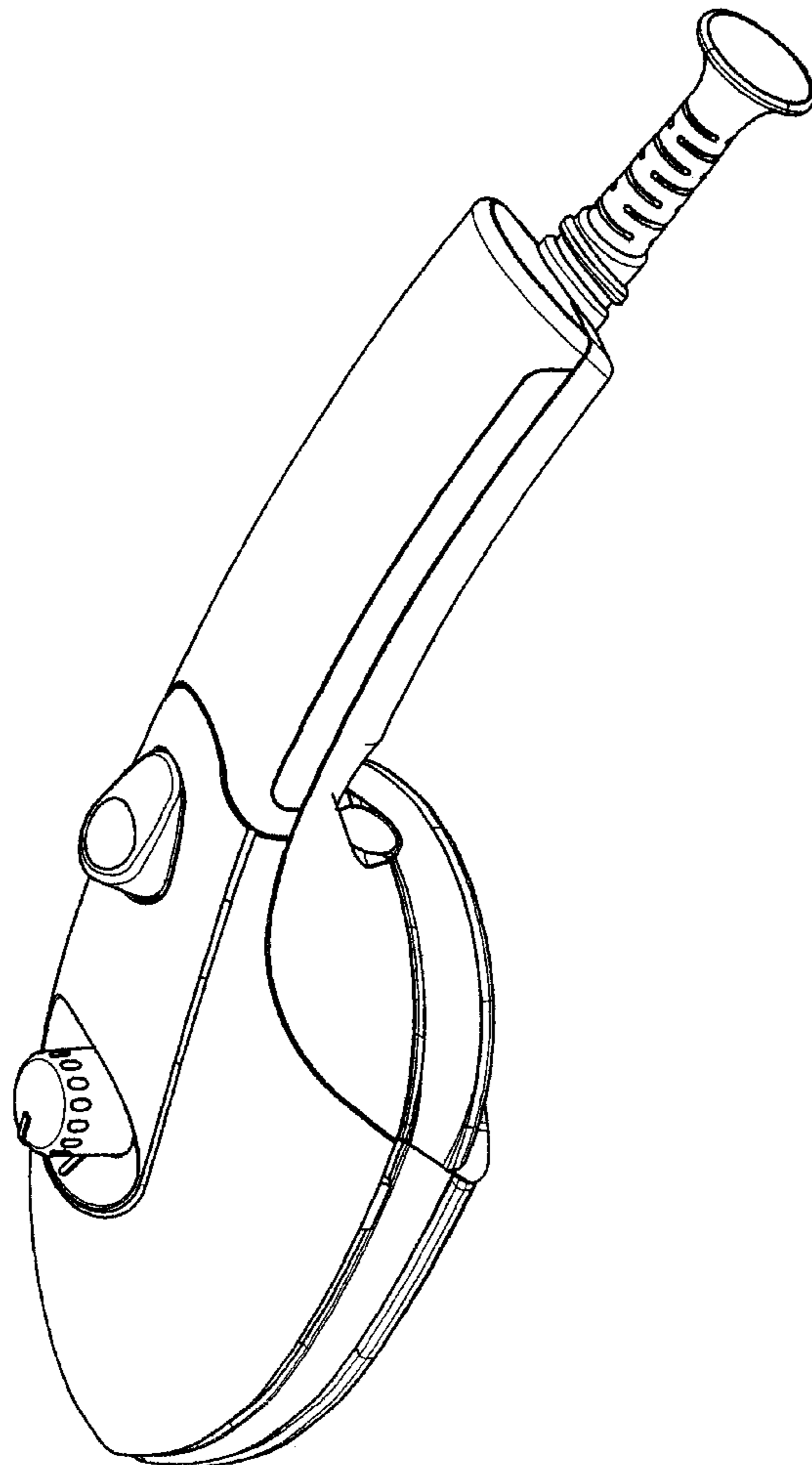
FIG. 1 is a top and front perspective view of a crease remover for cloth, showing my new design;  
FIG. 2 is a front elevational view thereof;  
FIG. 3 is a side elevational view thereof, taken from the right of FIG. 2;  
FIG. 4 is a side elevational view thereof taken from the left of FIG. 2;  
FIG. 5 is a rear elevational view thereof;  
FIG. 6 is a top elevational view thereof; and,  
FIG. 7 is a bottom elevational view thereof.

(56) **References Cited**

**U.S. PATENT DOCUMENTS**

D230,458 S \* 2/1974 Hall ..... D32/69  
3,811,208 A \* 5/1974 Vieceli et al. .... 38/77.8

**1 Claim, 7 Drawing Sheets**



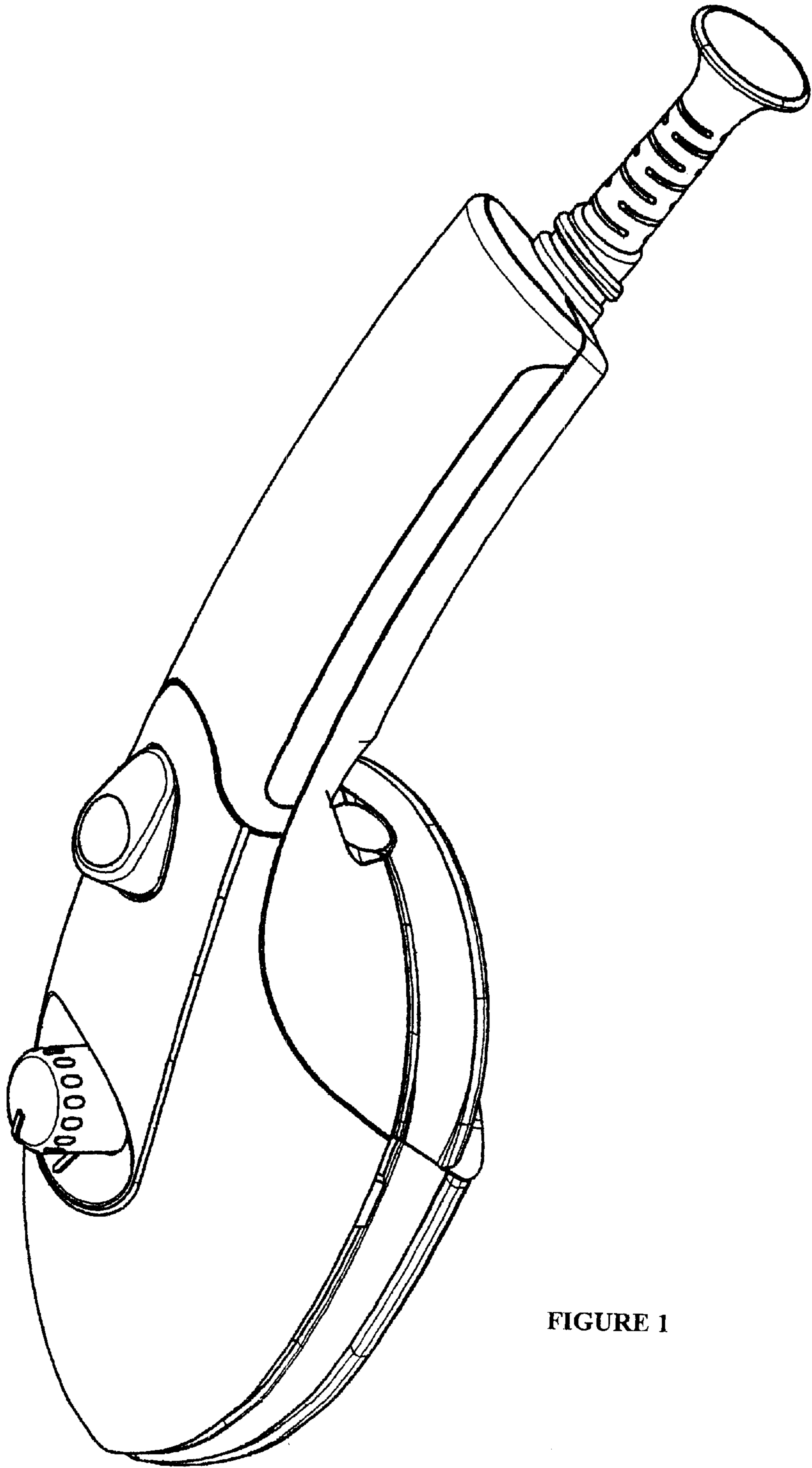


FIGURE 1

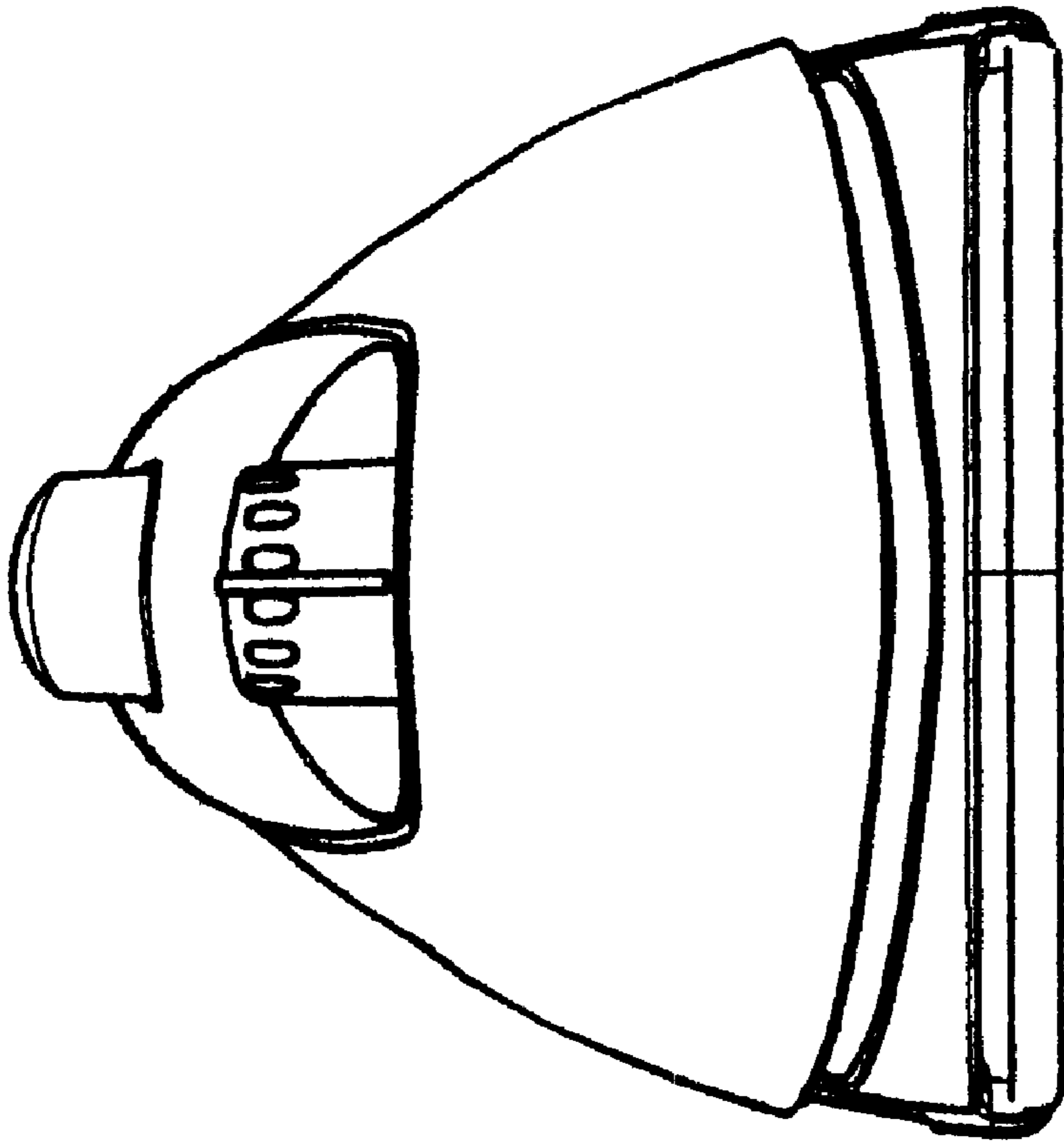


FIGURE 2

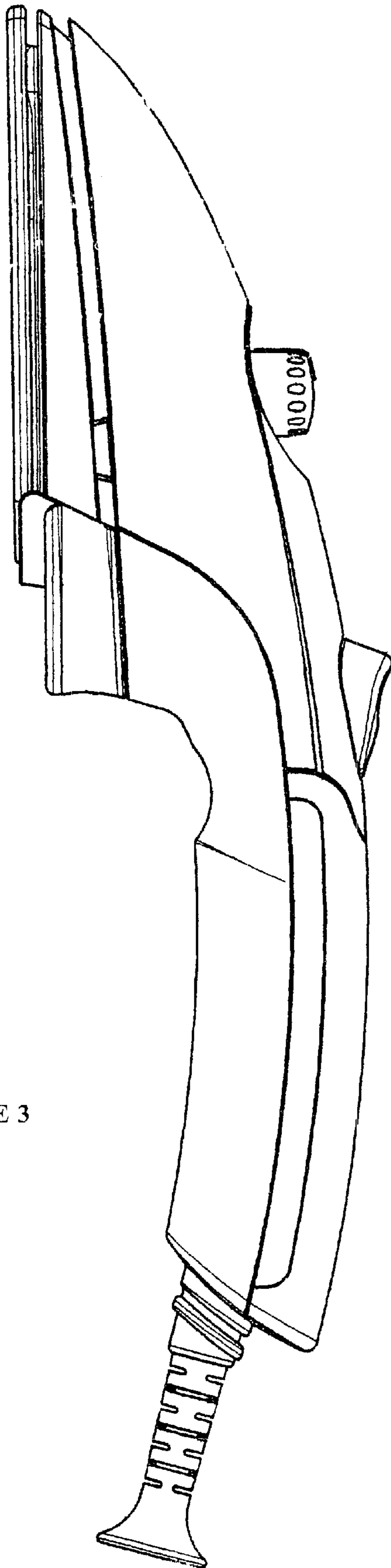


FIGURE 3

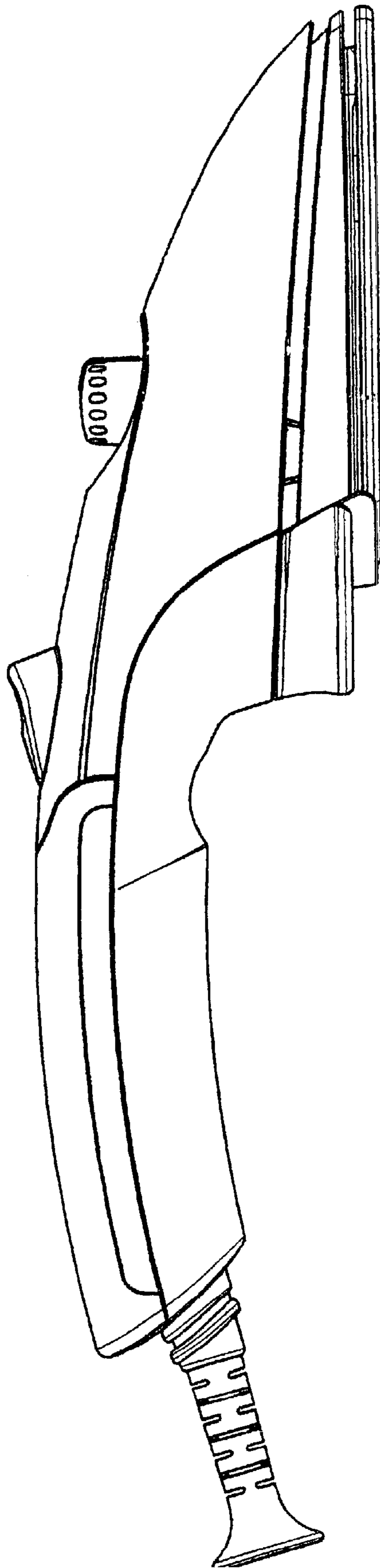


FIGURE 4

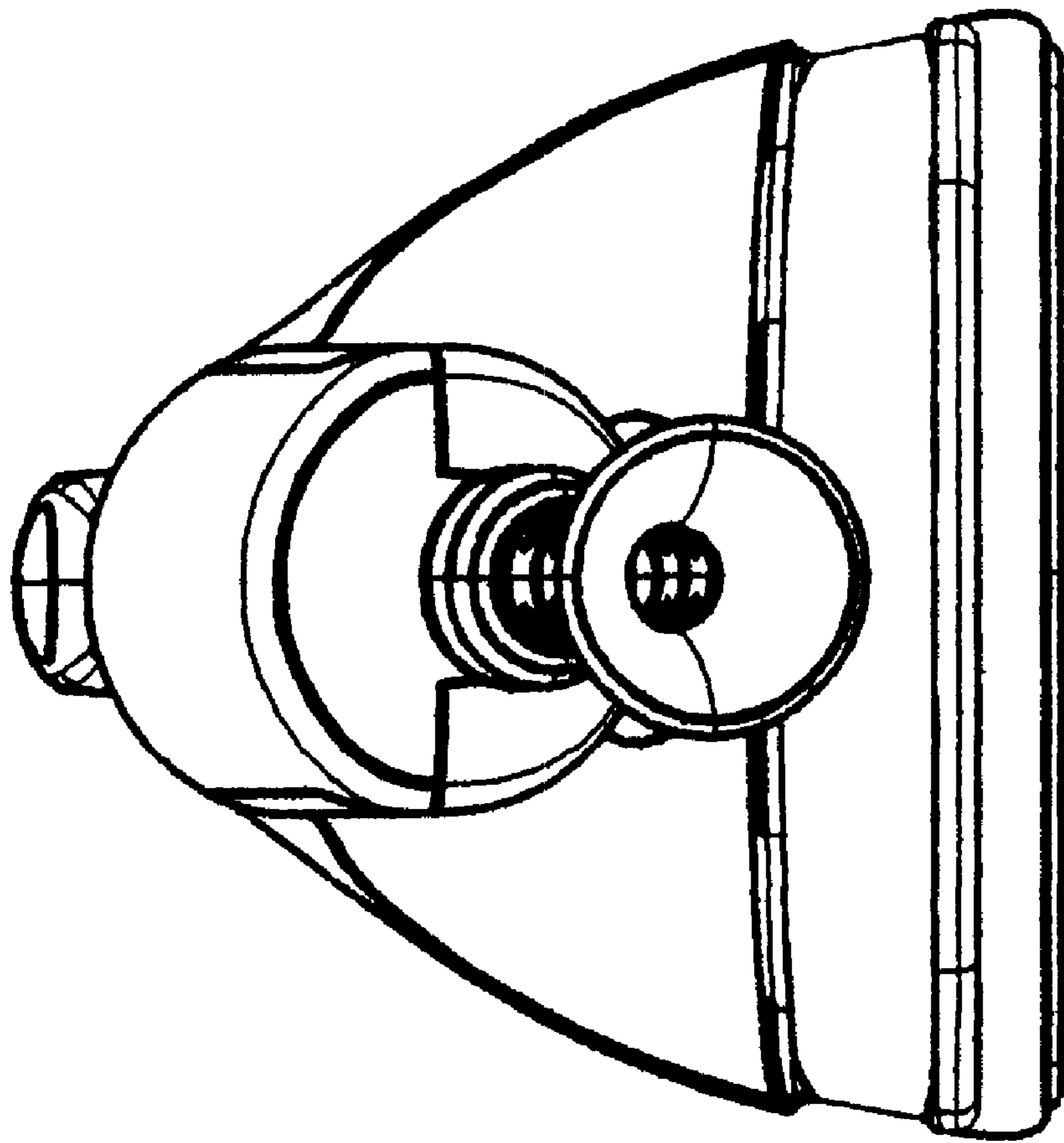


FIGURE 5

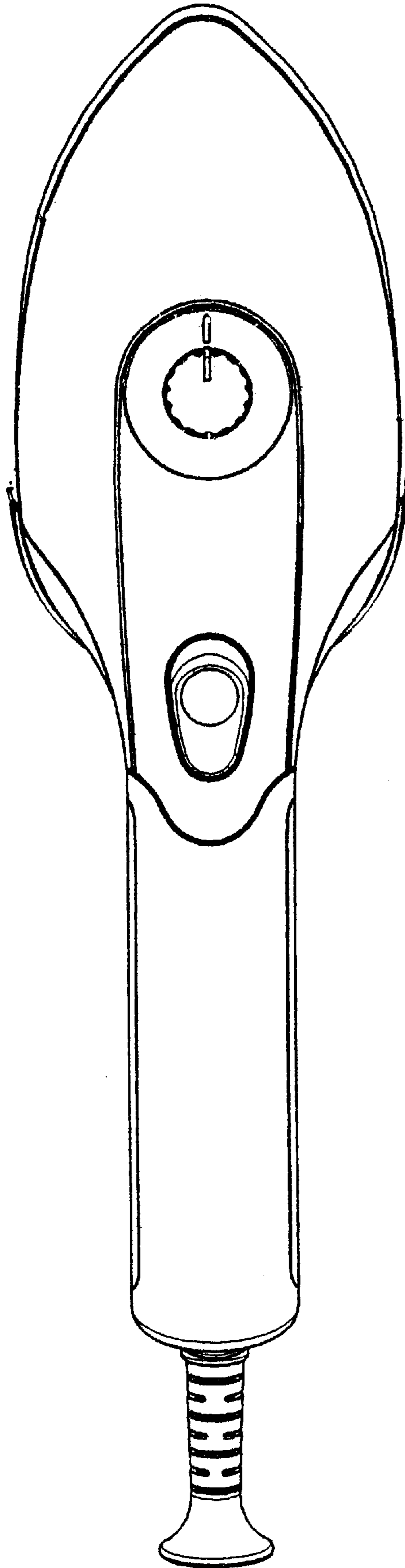


FIGURE 6



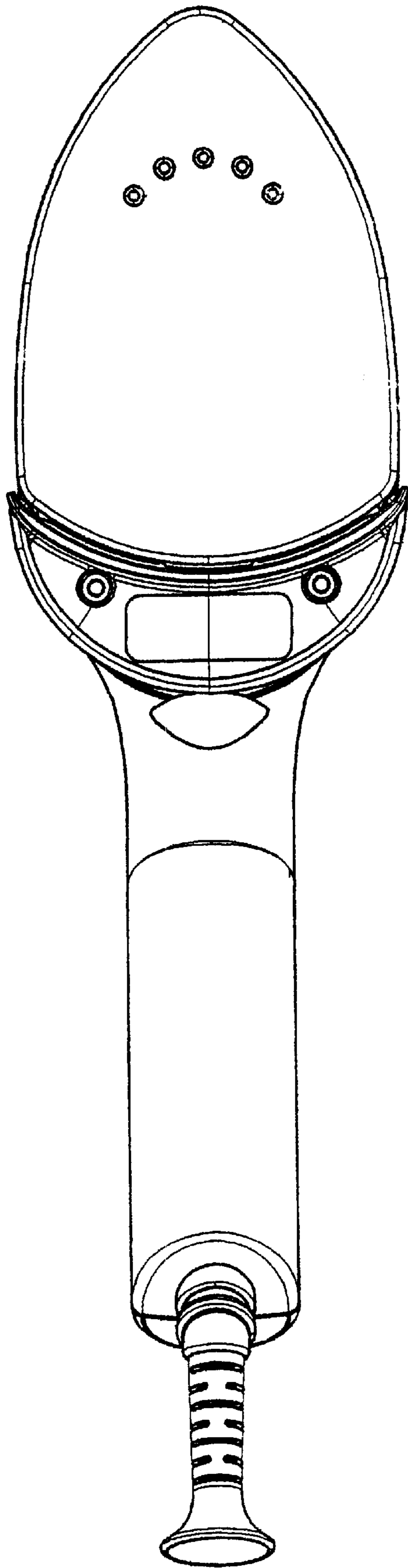


FIGURE 7