



US00D465305S

(12) **United States Design Patent** (10) **Patent No.:** **US D465,305 S**
Thorpe et al. (45) **Date of Patent:** **** Nov. 5, 2002**

(54) **COSMETIC CONTAINER WITH LID**

OTHER PUBLICATIONS

(75) Inventors: **James Thorpe**, Beckenham (GB);
Rebecca Louise Goswell, Richmond (GB)

Modern Salon Jan. 1987, p. 137: compact at right.*
Drug & Cosmetic Industry Feb. 1994, p. 9: compact on upper right.*

(73) Assignee: **HCT Limited**, Hong Kong (CN)

Beauty Boutique, Spring 1994, p. 76: Elizabeth Arden Luxury Makeup Compact on lower right.*

(**) Term: **14 Years**

Hong Kong Enterprise Jun. 1995, p. 590: "Power BLush" Opal B compact.*

(21) Appl. No.: **29/154,500**

Hecht's® advertising circular for Lancôme, Oct. 4, 5 and 7, 1996 deliver date: Dual Finish Versatile Powder Makeup compact.*

(22) Filed: **Jan. 23, 2002**

Elizabeth Arden advertising leaflet entitled "A Gift For You", ©1998: compact indicated by arrow.*

(51) **LOC (7) Cl.** **28-03**

Primary Examiner—Ted Shooman

(52) **U.S. Cl.** **D28/83**

Assistant Examiner—C Tuttle

(58) **Field of Search** D28/73, 76, 77,
D28/78-84; D9/341, 347, 420, 423; D3/273-275,
294, 295; 132/286, 293-307, 314-318;
206/235, 581, 823; 220/DIG. 26

(74) *Attorney, Agent, or Firm*—Norris, McLaughlin & Marcus

(56) **References Cited**

(57) **CLAIM**

The ornamental design for a cosmetic container with lid, as shown and described.

U.S. PATENT DOCUMENTS

DESCRIPTION

1,604,066	A	10/1926	Morrison	
1,642,780	A	9/1927	Kole et al.	
1,672,649	A	* 6/1928	Lester	132/298
1,925,316	A	9/1933	Fullmer	
D290,297	S	* 6/1987	Schemmer	D28/78
4,684,017	A	* 8/1987	Watanabe et al.	206/235
4,821,751	A	4/1989	Chen	132/295
D301,642	S	6/1989	Bakic	D28/83
D303,582	S	9/1989	Gavin	D28/78
4,880,139	A	* 11/1989	Jumel et al.	220/337
D305,281	S	1/1990	Chen	D3/39
D307,335	S	* 4/1990	Scalamandre et al.	D28/76

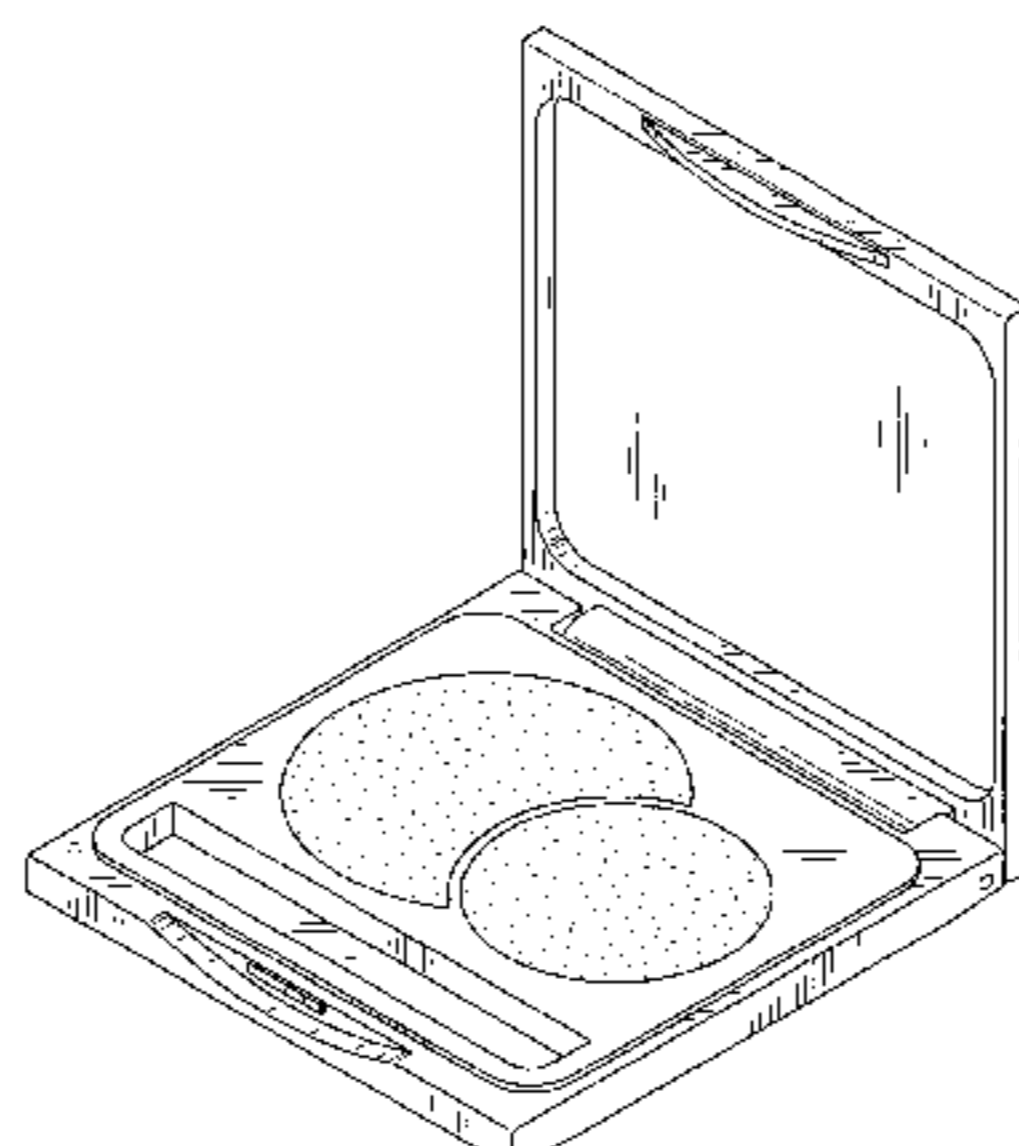
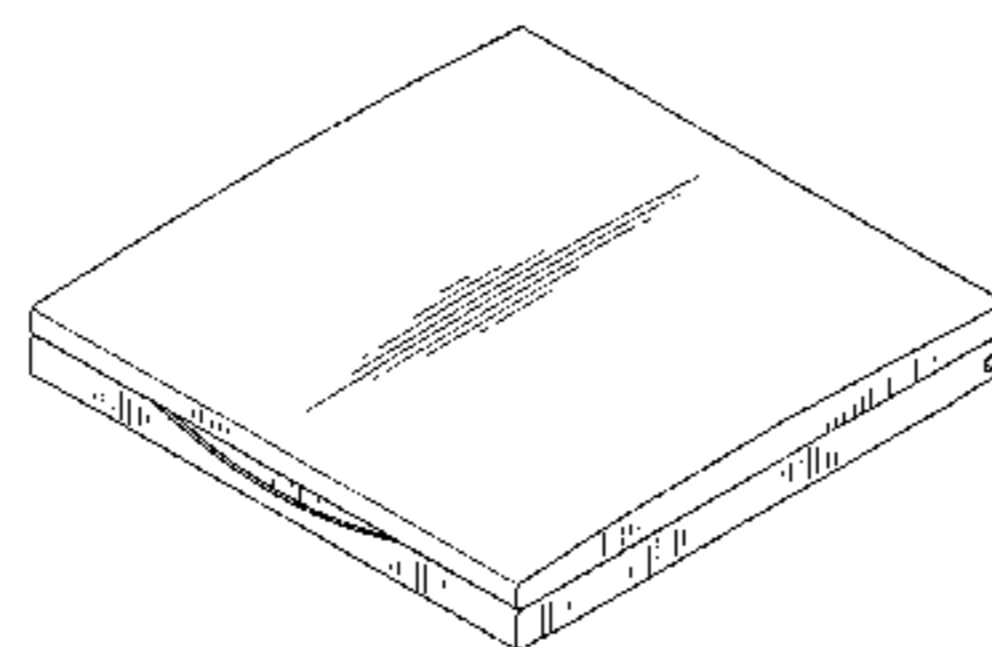
FIG. 1 is a top perspective view showing our new design with its cover in a closed position;
FIG. 2 is a bottom perspective view showing the cover in its closed position;
FIG. 3 is a top plan view showing the cover in its closed position;
FIG. 4 is a front end elevational view showing the cover in its closed position;
FIG. 5 is a back end elevational view showing the cover in its closed position;
FIG. 6 is a right side elevational view showing the cover in its closed position;
FIG. 7 is a top perspective view showing the cover in its open position; and,
FIG. 8 is a top plan view showing the cover in its open position.

(List continued on next page.)

FOREIGN PATENT DOCUMENTS

FR	692762	* 11/1930
JP	Des. 933115	* 9/1992
JP	Des. 935161	* 7/1993
KR	Des. 143255	* 10/1993

1 Claim, 3 Drawing Sheets



US D465,305 S

Page 2

U.S. PATENT DOCUMENTS

D321,416 S	11/1991	Bakic	D28/83	D397,831 S	9/1998	Stoecker	D28/78
D324,587 S	3/1992	Di Nuccio	D28/78	D422,120 S *	3/2000	Orsomando	D28/83
5,246,020 A *	9/1993	Wu	132/295	D422,753 S	4/2000	Einarson	D28/77
5,638,838 A	6/1997	Lombardi	132/294	D424,245 S	5/2000	Stoecker	D28/78
5,713,471 A	2/1998	Gueret	206/581				

* cited by examiner

FIG. 1

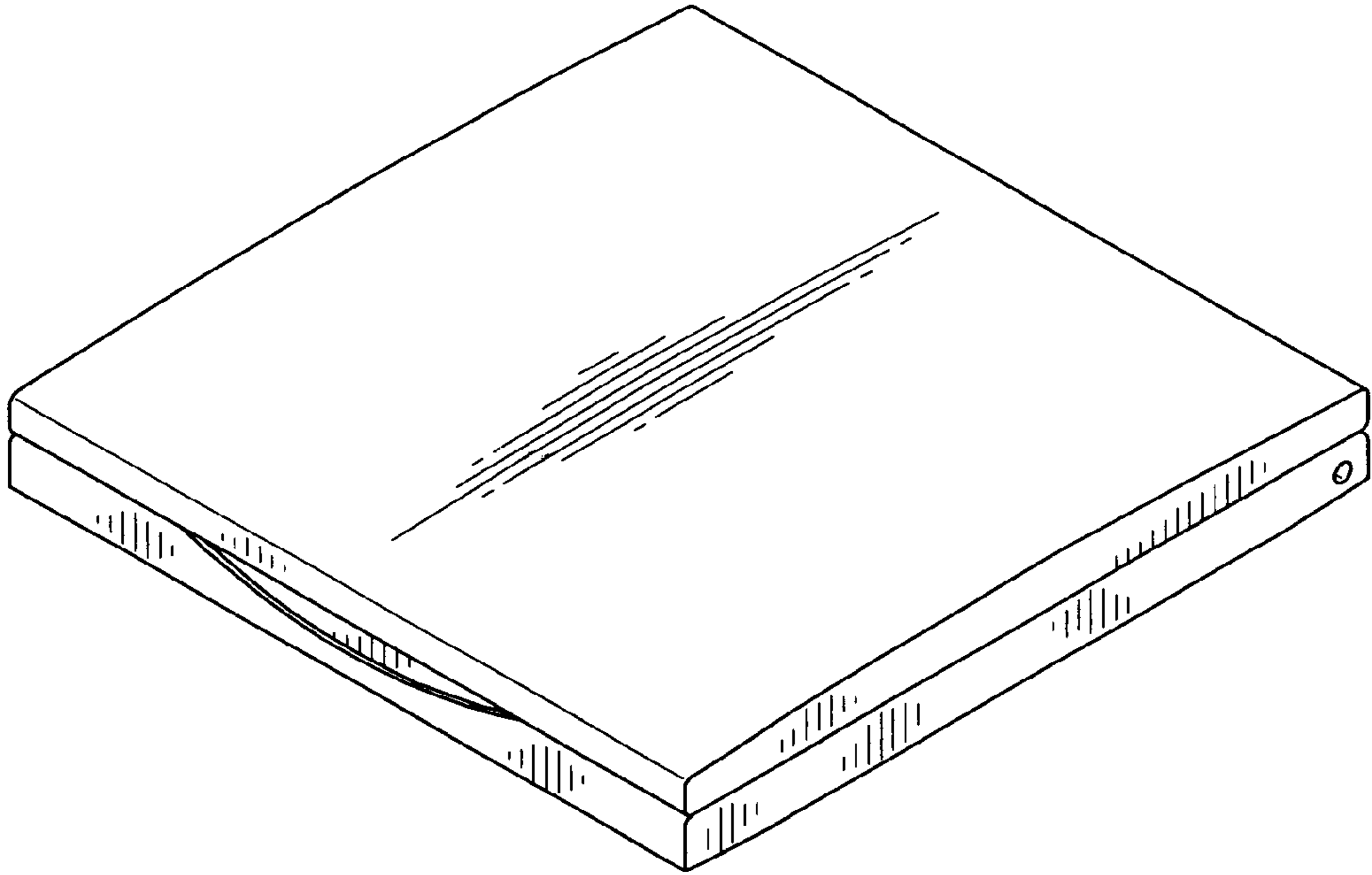


FIG. 2

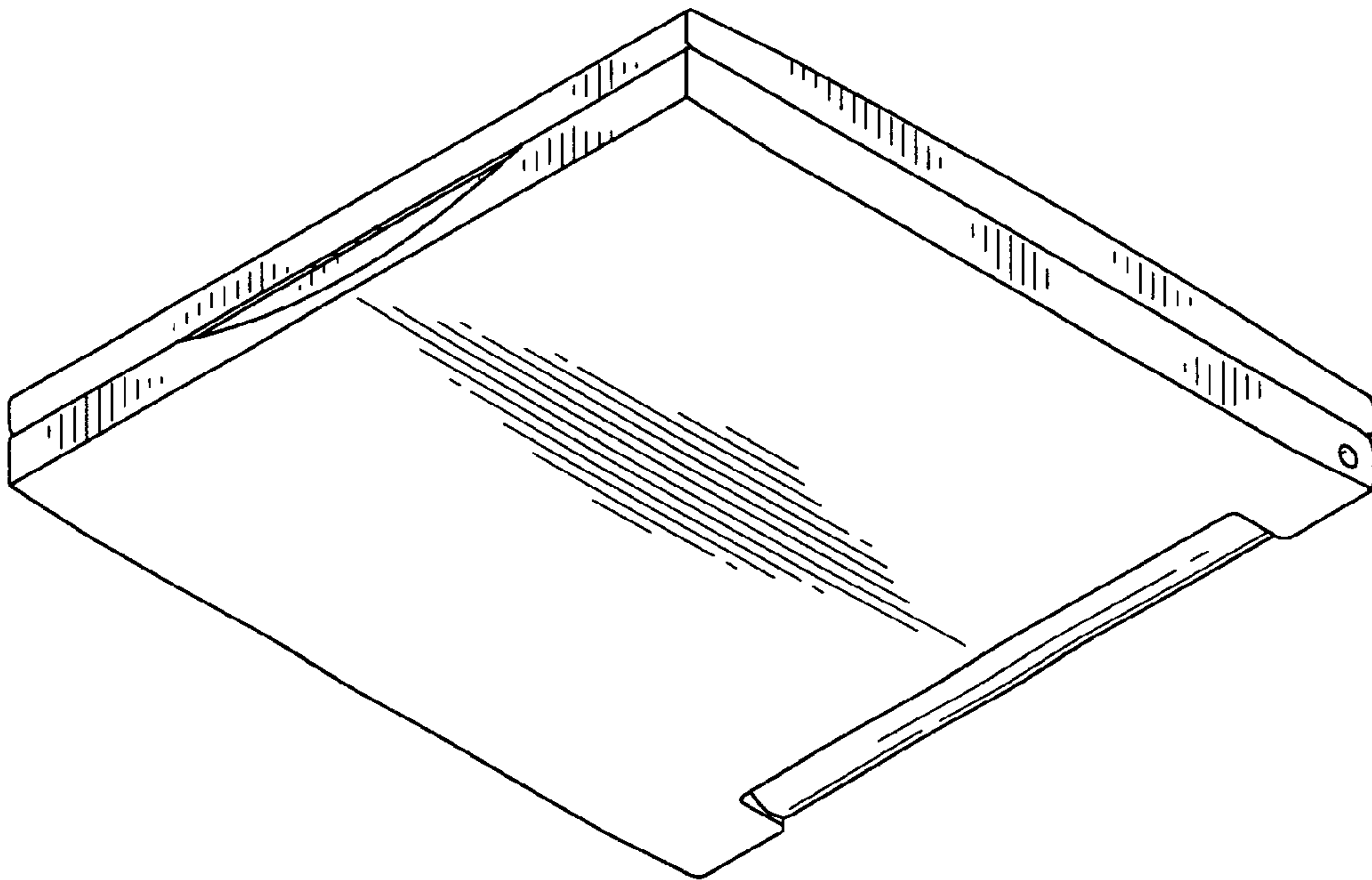


FIG. 3

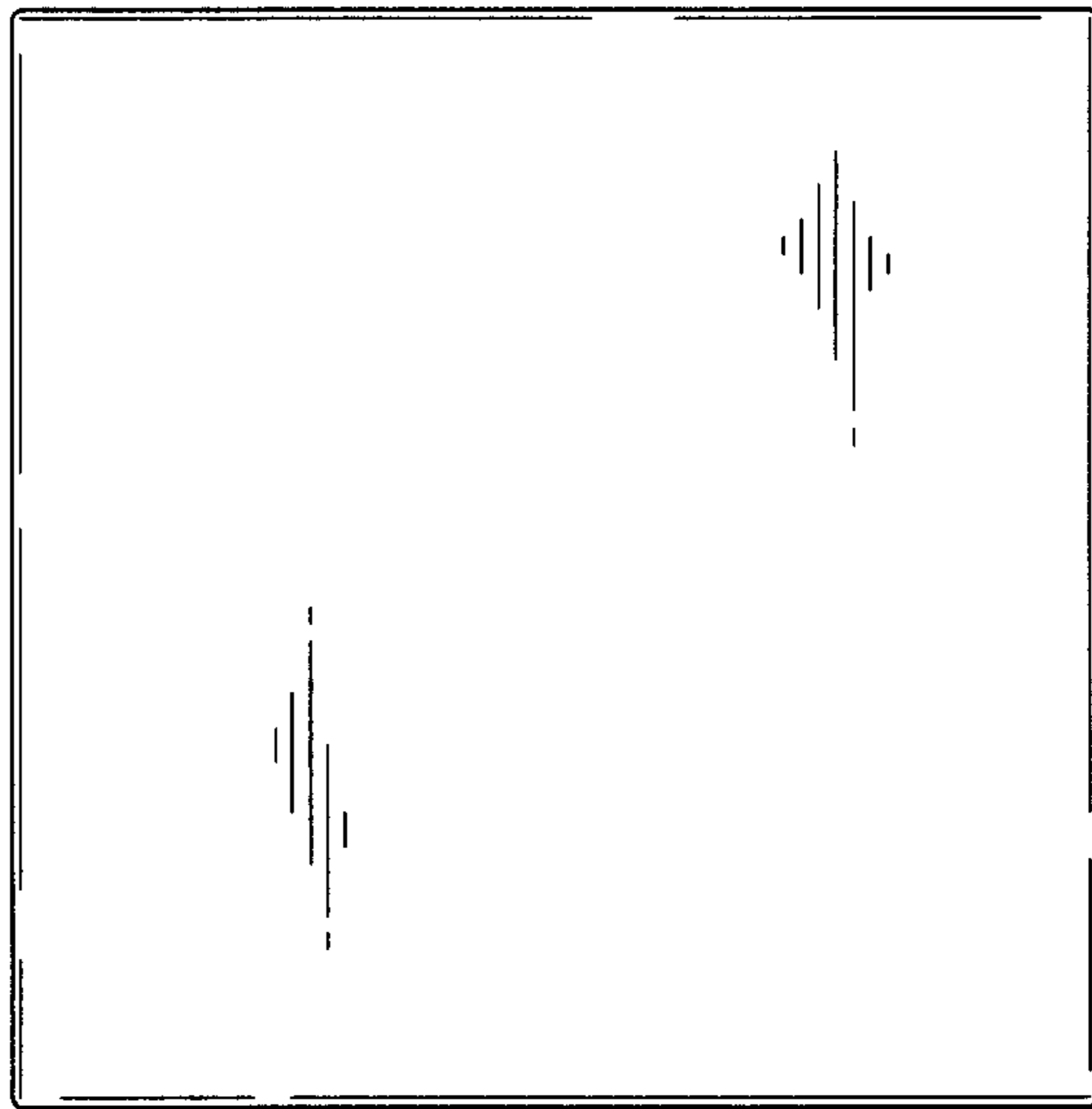


FIG. 4

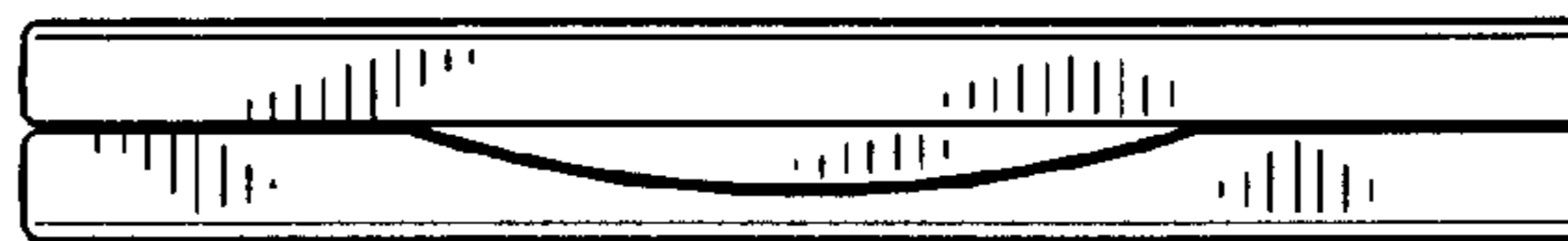


FIG. 5



FIG. 6

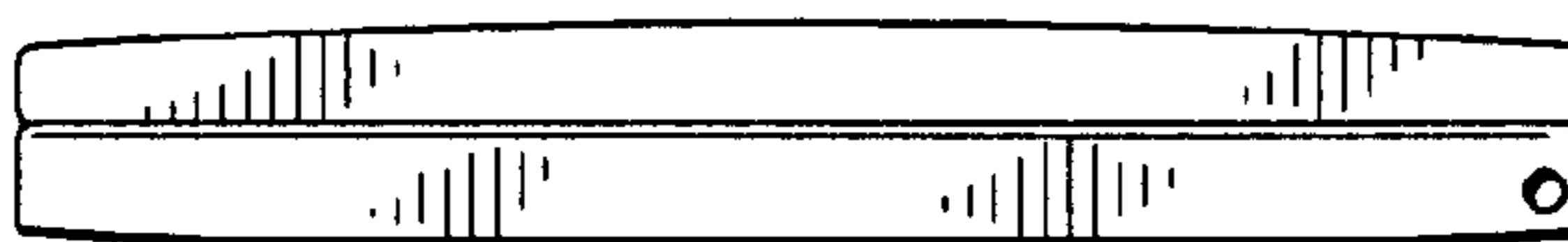


FIG. 7

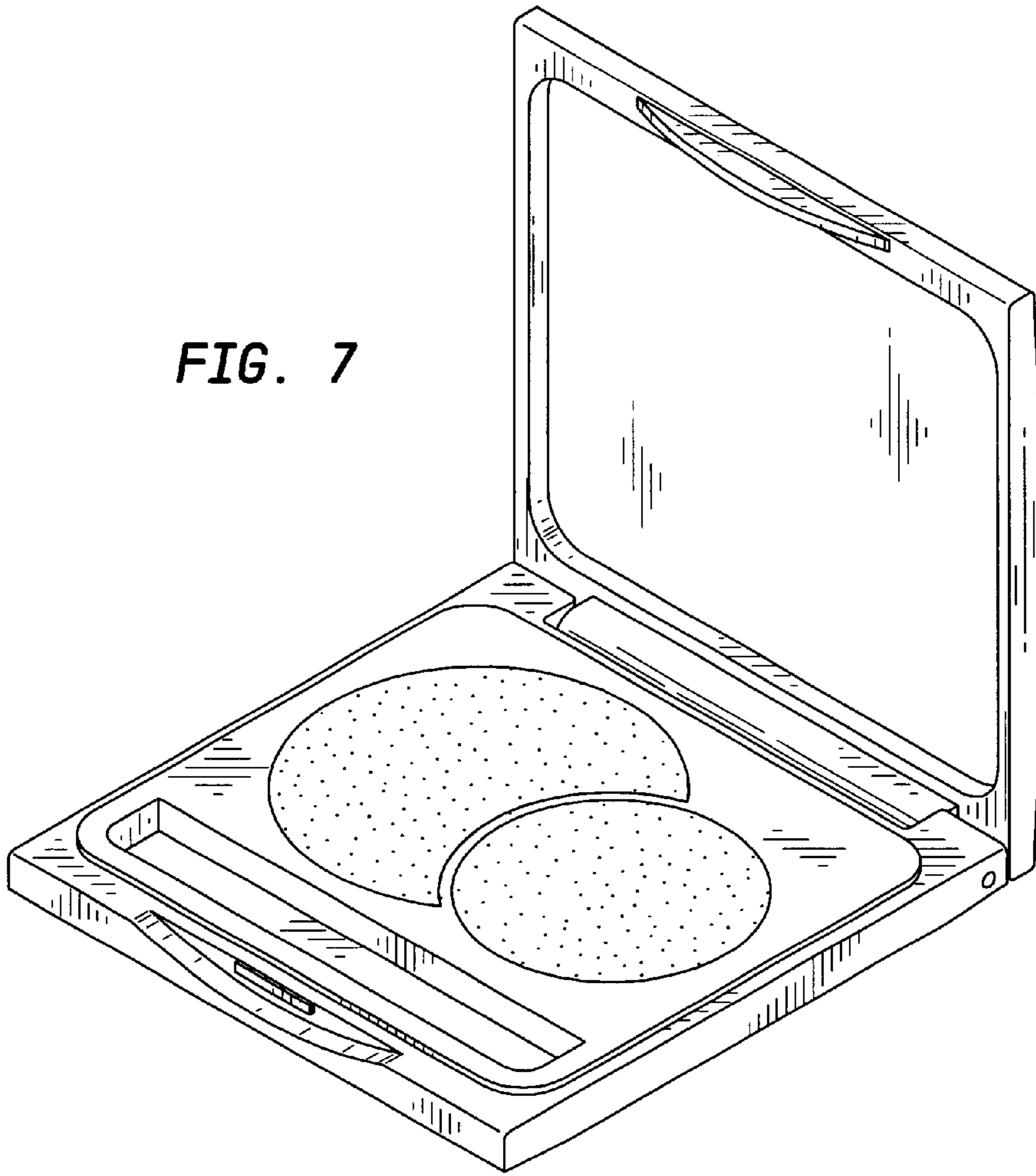


FIG. 8

