



US00D465304S

(12) **United States Design Patent**  
**Bushman**

(10) **Patent No.:** **US D465,304 S**

(45) **Date of Patent:** **\*\* Nov. 5, 2002**

(54) **HAIR TRIMMER STAND**

(75) Inventor: **Christine Marie Bushman**, Sterling, IL (US)

(73) Assignee: **Wahl Clipper Corporation**, Sterling, IL (US)

(\*\*) Term: **14 Years**

(21) Appl. No.: **29/134,097**

(22) Filed: **Dec. 14, 2000**

(51) **LOC (7) Cl.** ..... **28-03**

(52) **U.S. Cl.** ..... **D28/73**

(58) **Field of Search** ..... D28/18, 38, 44, D28/45-54, 73; D6/526; D8/71, 366, 373, 349, 354; 30/34.05, 537, 538, 544; 206/207, 208, 349, 351; 211/13.1, 26, 26.2, 60.1, 70.1, 70.6; 248/117.1, 117.2, 117.3, 117.4, 117.5, 117.6, 117.7, 121, 127, 174, 176.1, 176.2, 309.1, 310, 314, 346.01, 346.03, 346.5, 300; 132/289-292; 219/242; D9/342

(56) **References Cited**

**U.S. PATENT DOCUMENTS**

D87,702 S	*	9/1932	Aufiero	.....	D8/366
2,354,470 A	*	7/1944	McGill Topken et al.	..	379/455
D208,979 S	*	10/1967	Edgerton	.....	D8/71
3,382,986 A	*	5/1968	Pfeiffer	.....	211/70.1
3,964,709 A	*	6/1976	LaBelle et al.	.....	248/133
D247,981 S	*	5/1978	Wistrand	.....	D28/73
D360,485 S	*	7/1995	Simonelli	.....	D28/73
D387,930 S	*	12/1997	Israel et al.	.....	D6/526
5,765,792 A	*	6/1998	Thomas	.....	248/121

6,009,622 A \* 1/2000 Liedblad ..... 30/41  
D426,676 S \* 6/2000 Bushman ..... D28/73

\* cited by examiner

*Primary Examiner*—Ted Shooman

*Assistant Examiner*—C Tuttle

(74) *Attorney, Agent, or Firm*—Greer, Burns & Crain, Ltd

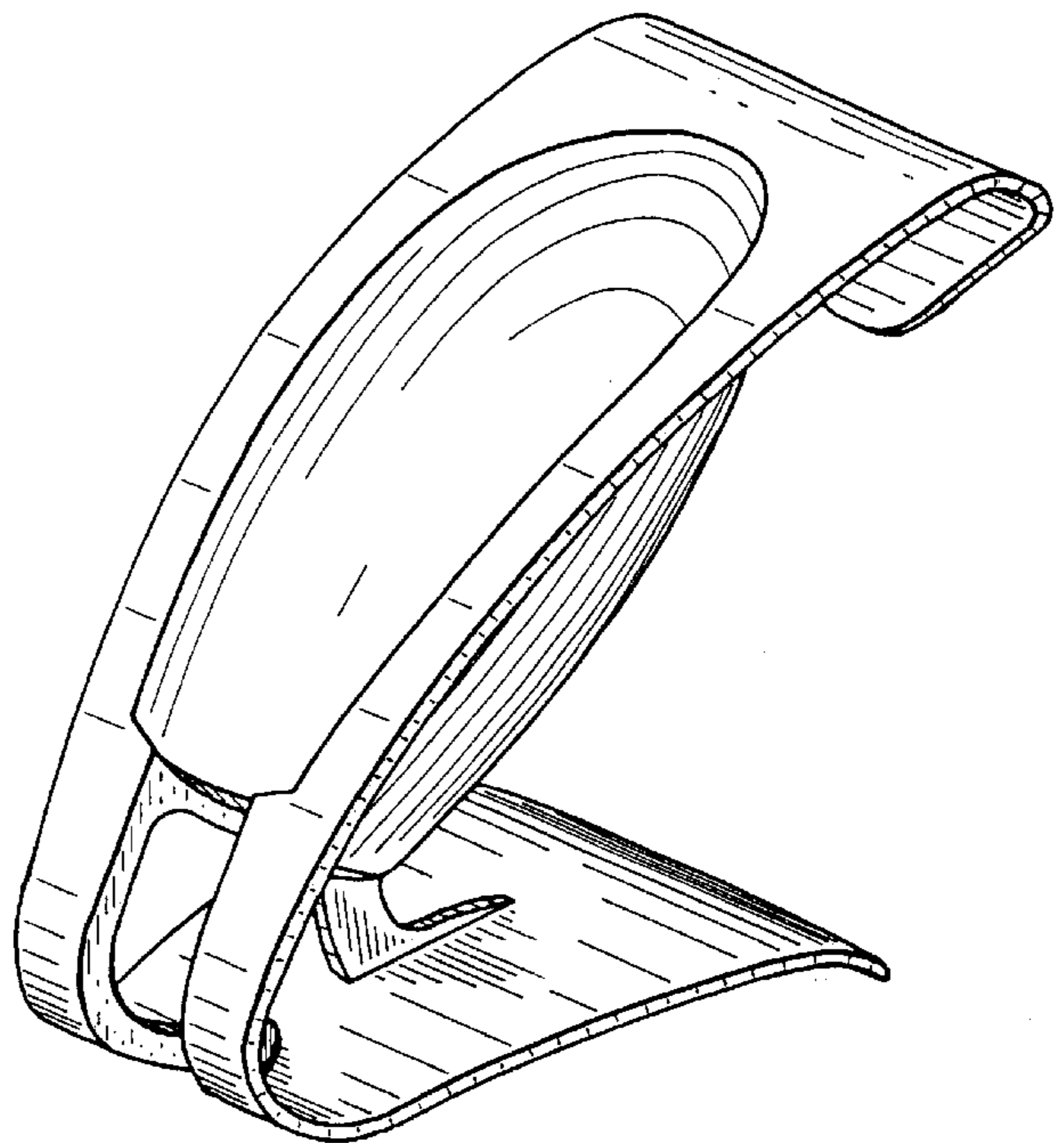
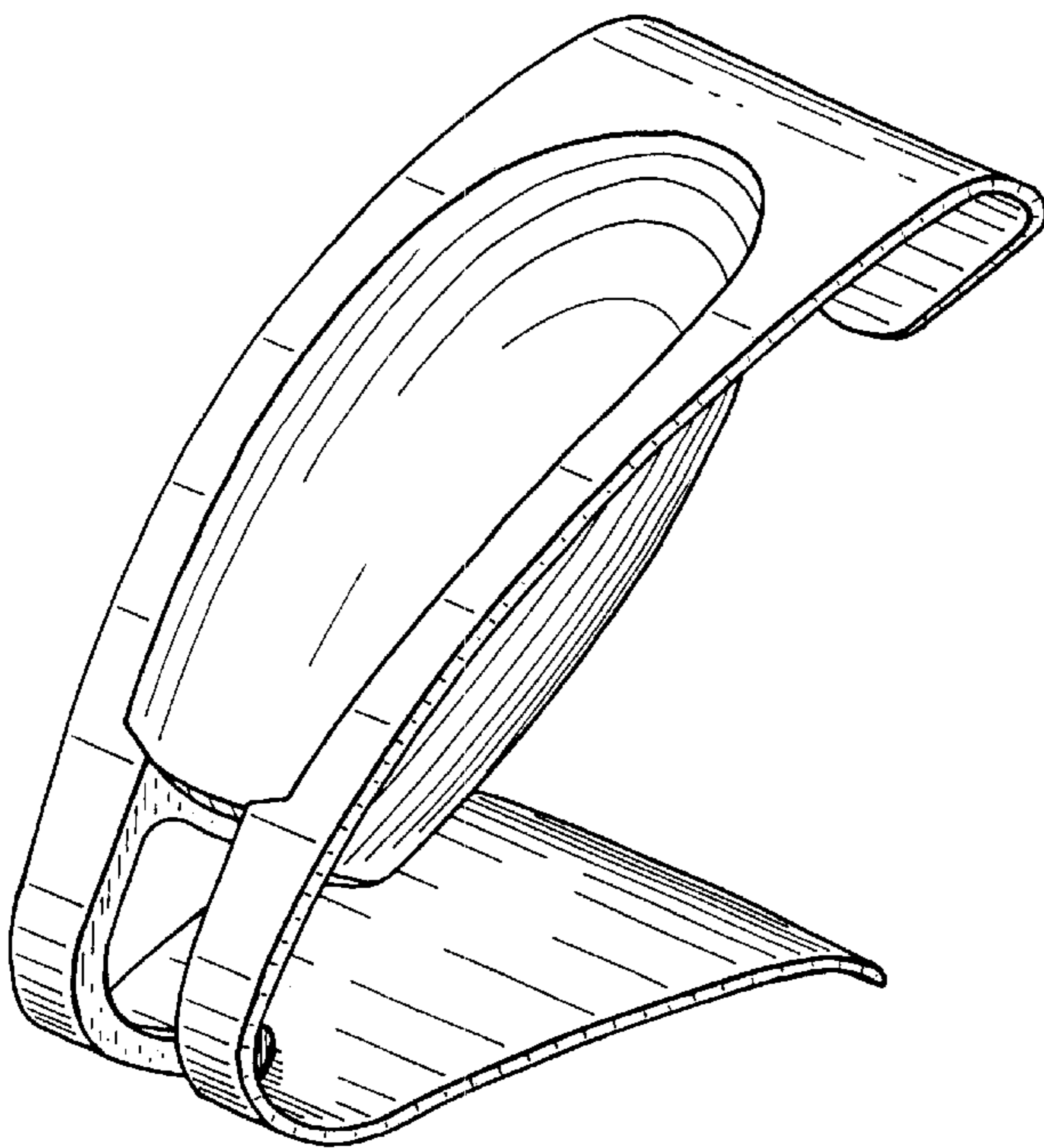
(57) **CLAIM**

The ornamental design for a hair trimmer stand, as shown and described.

**DESCRIPTION**

FIG. 1 is a top perspective view of a first embodiment of the present hair trimmer stand;  
FIG. 2 is a rear view of the hair trimmer stand of FIG. 1;  
FIG. 3 is a side view of same (as both the right side view and the left side view show the same ornamentation and design, only one side view is necessary);  
FIG. 4 is a front view of the hair trimmer stand of FIG. 1;  
FIG. 5 is a top view of same;  
FIG. 6 is a bottom view of the present hair trimmer stand of FIG. 1;  
FIG. 7 is a top perspective view of an alternate embodiment of the present hair trimmer stand;  
FIG. 8 is a rear view of the same;  
FIG. 9 is a side view of the hair trimmer stand of FIG. 7 (as both the right side view and the left side view show the same ornamentation and design, only one side view is necessary);  
FIG. 10 is a front view of the hair trimmer stand of FIG. 7;  
FIG. 11 is a top view of same; and,  
FIG. 12 is a bottom view of same.

**1 Claim, 4 Drawing Sheets**



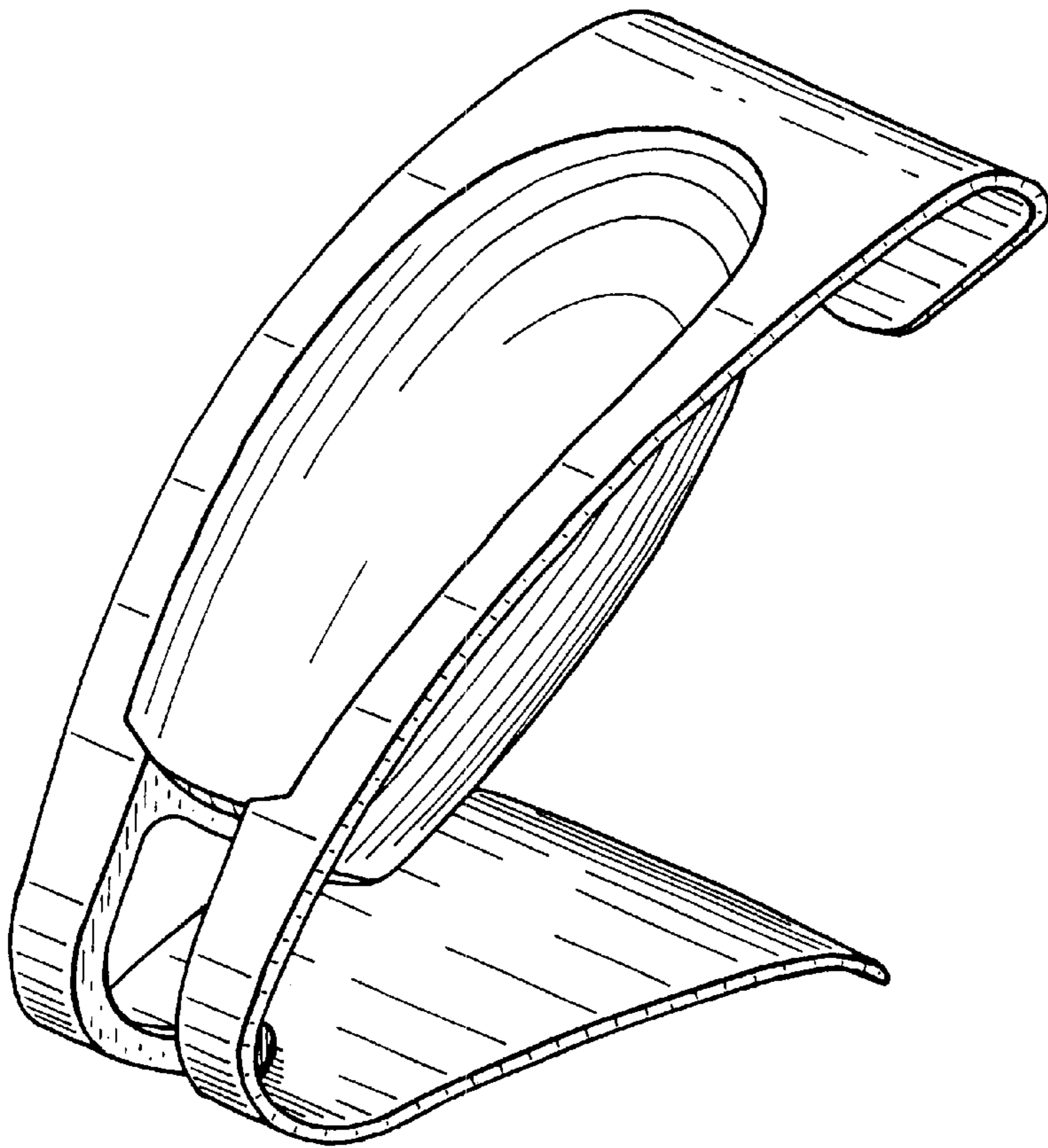


Fig.1

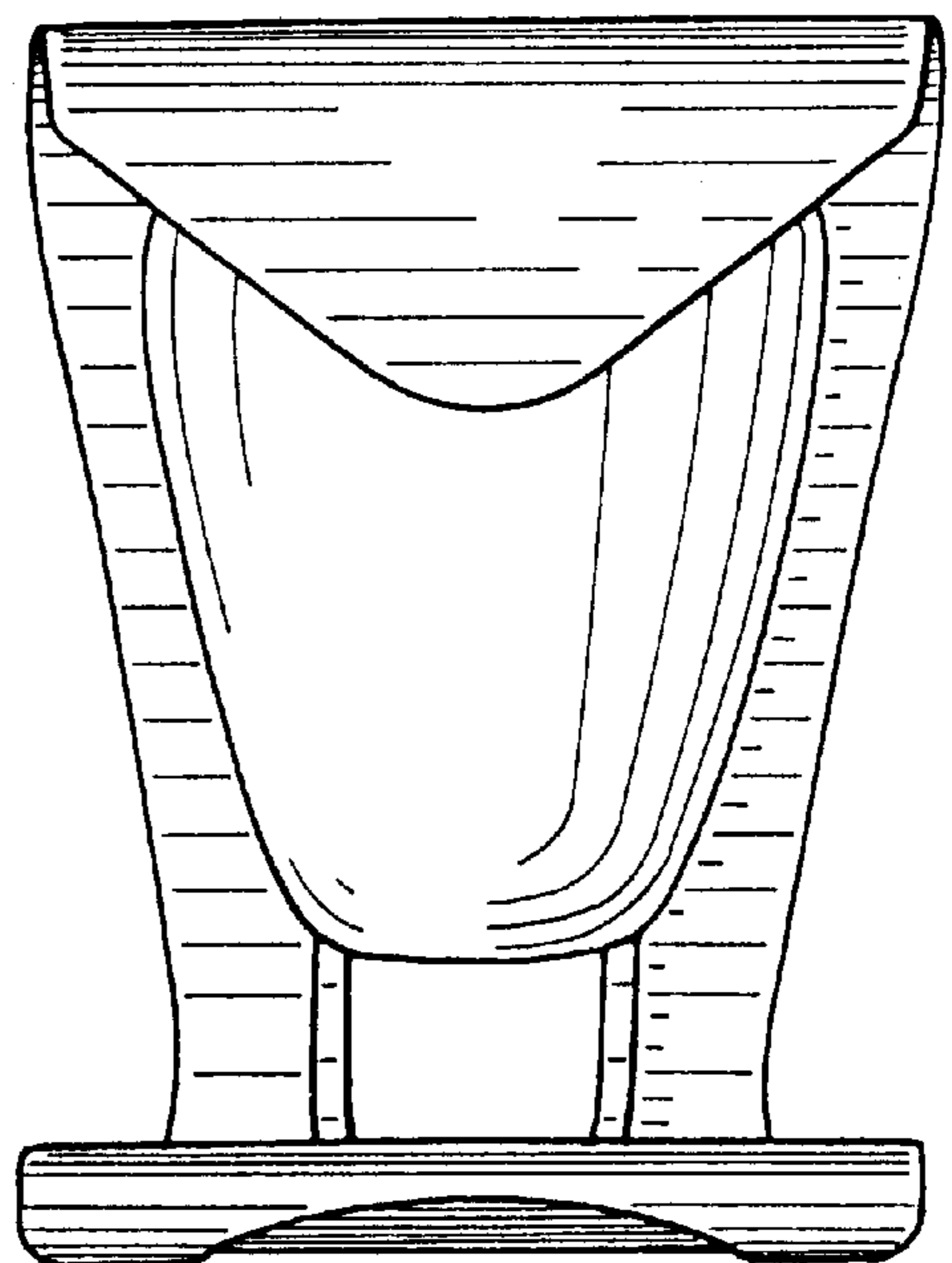


Fig.2

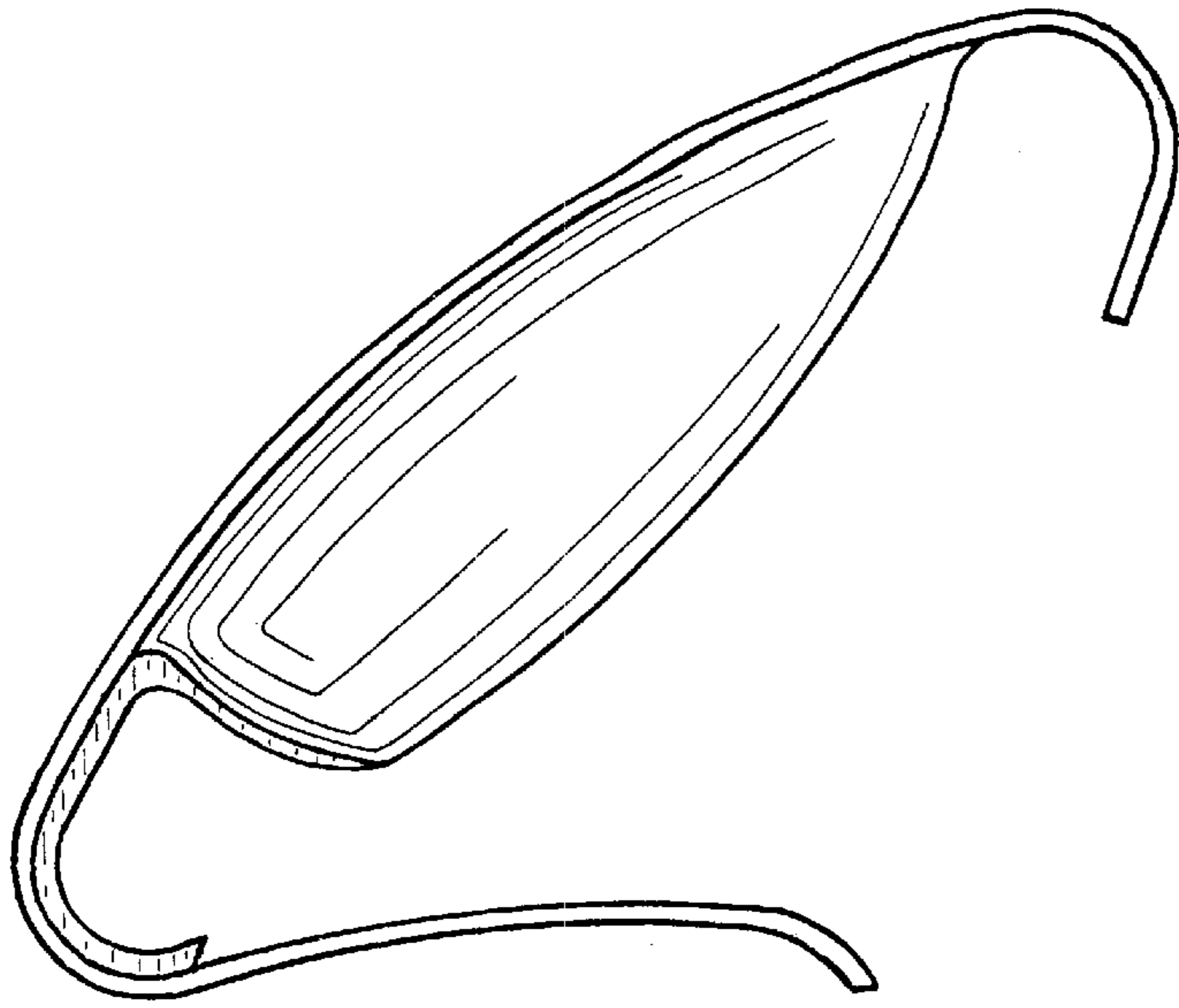


Fig.3

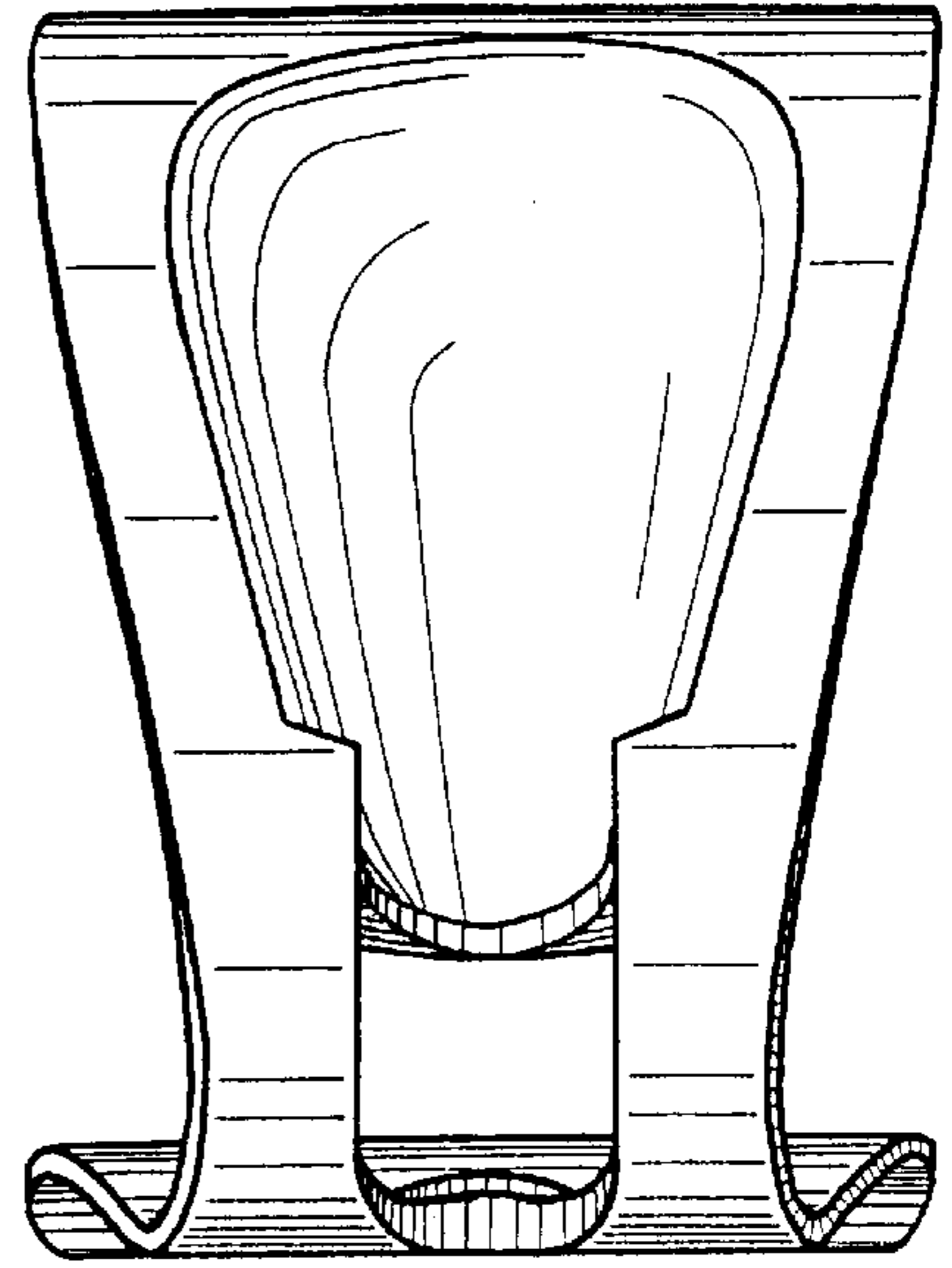


Fig.4

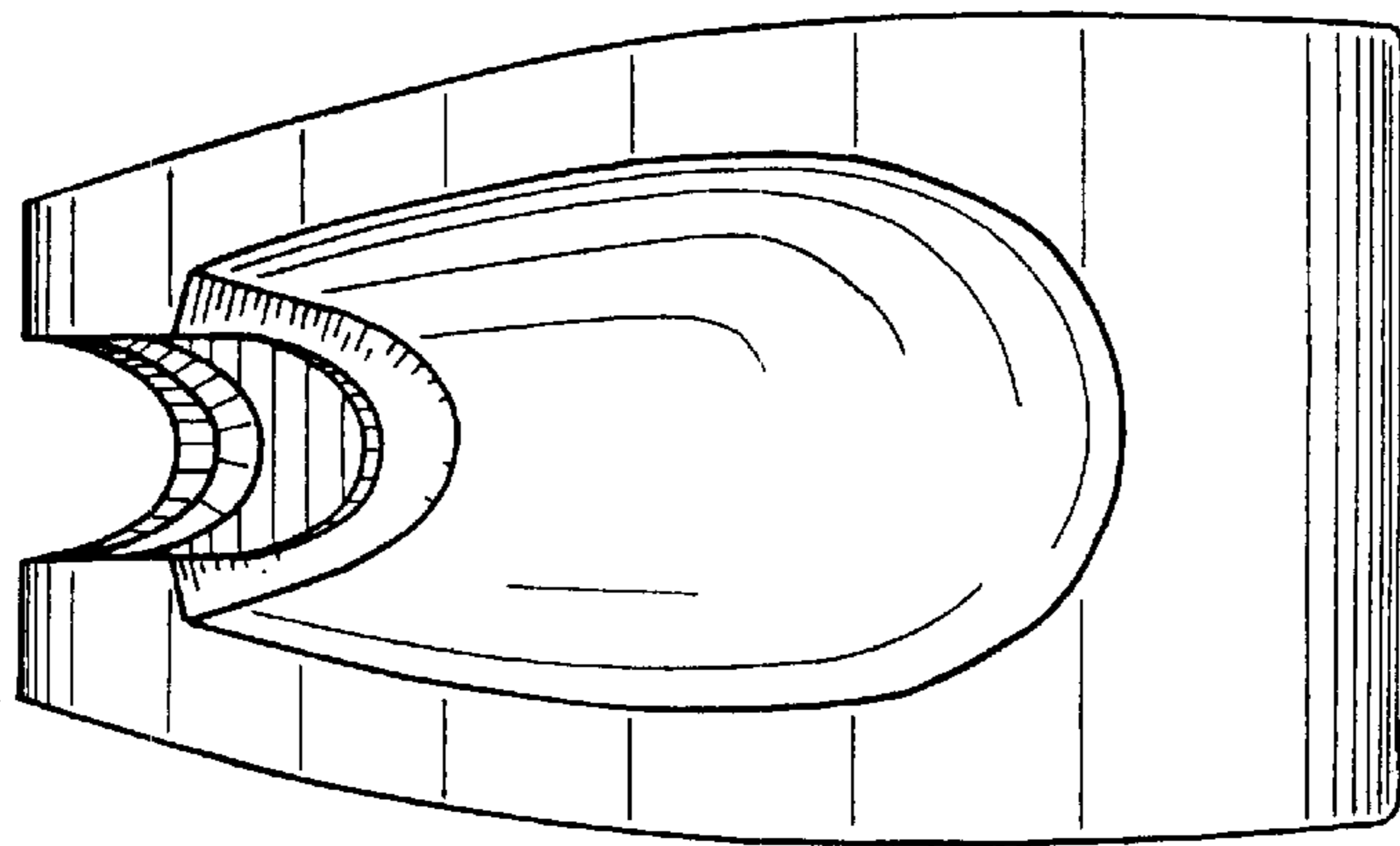


Fig.5

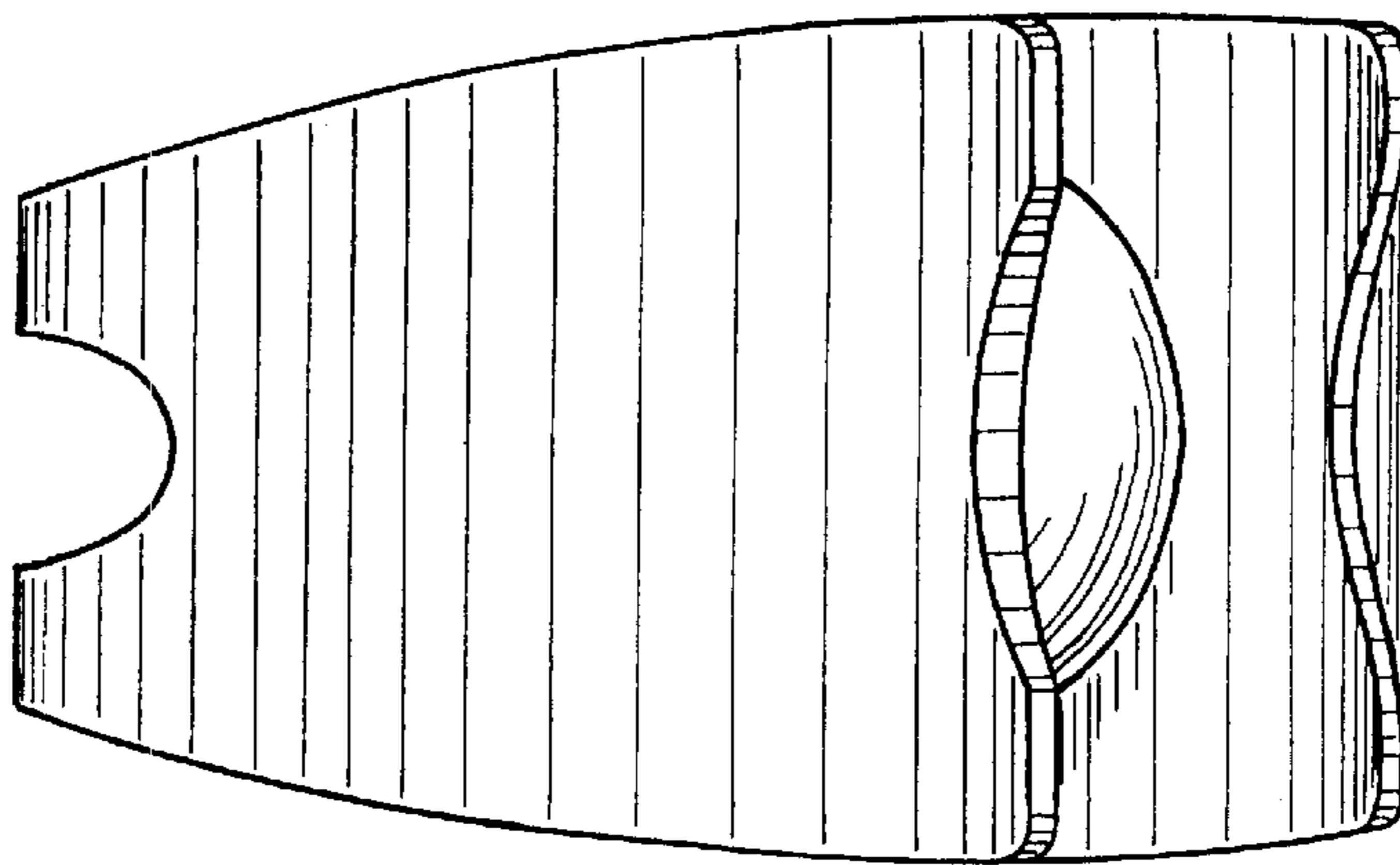


Fig.6



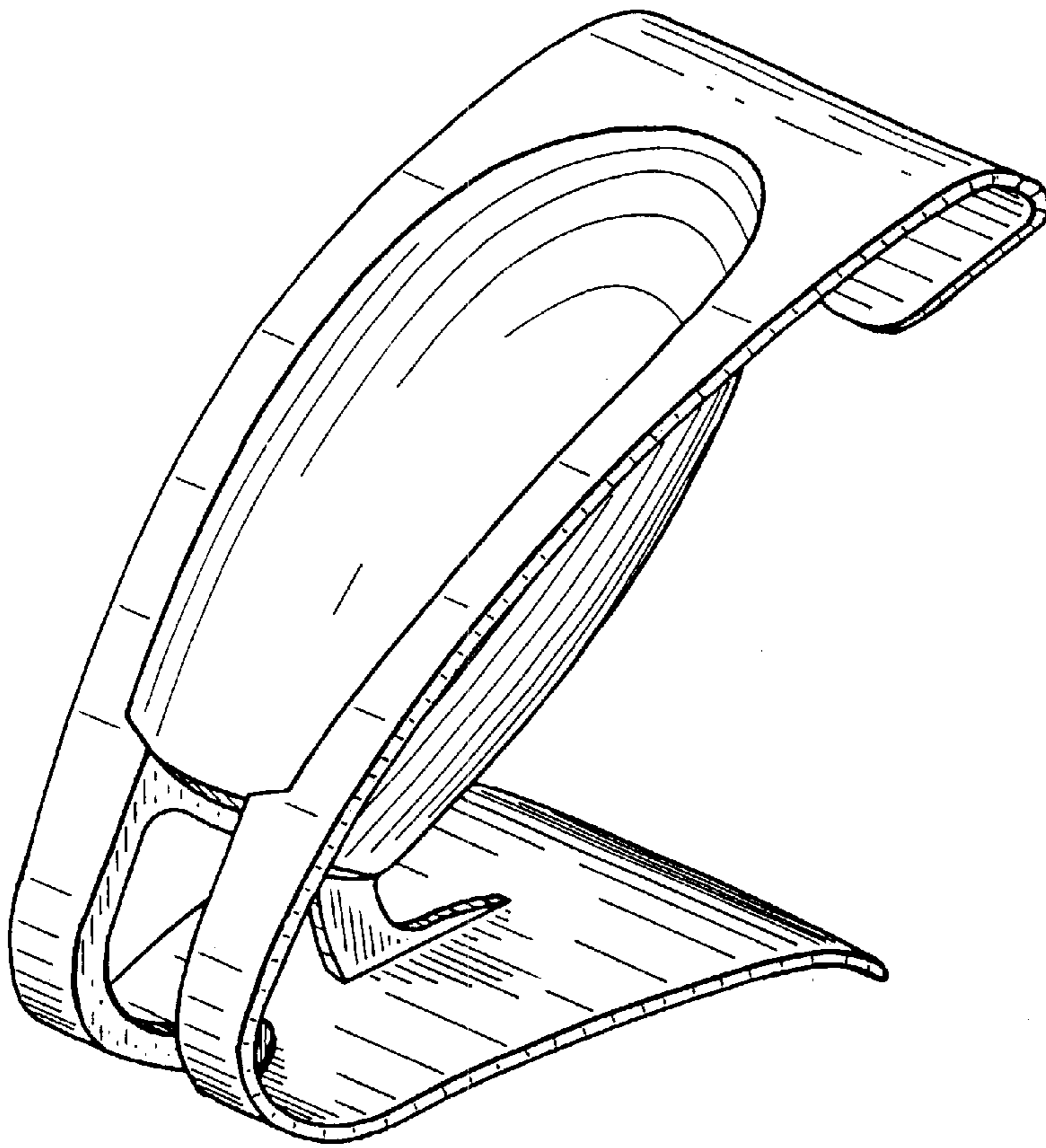


Fig. 7

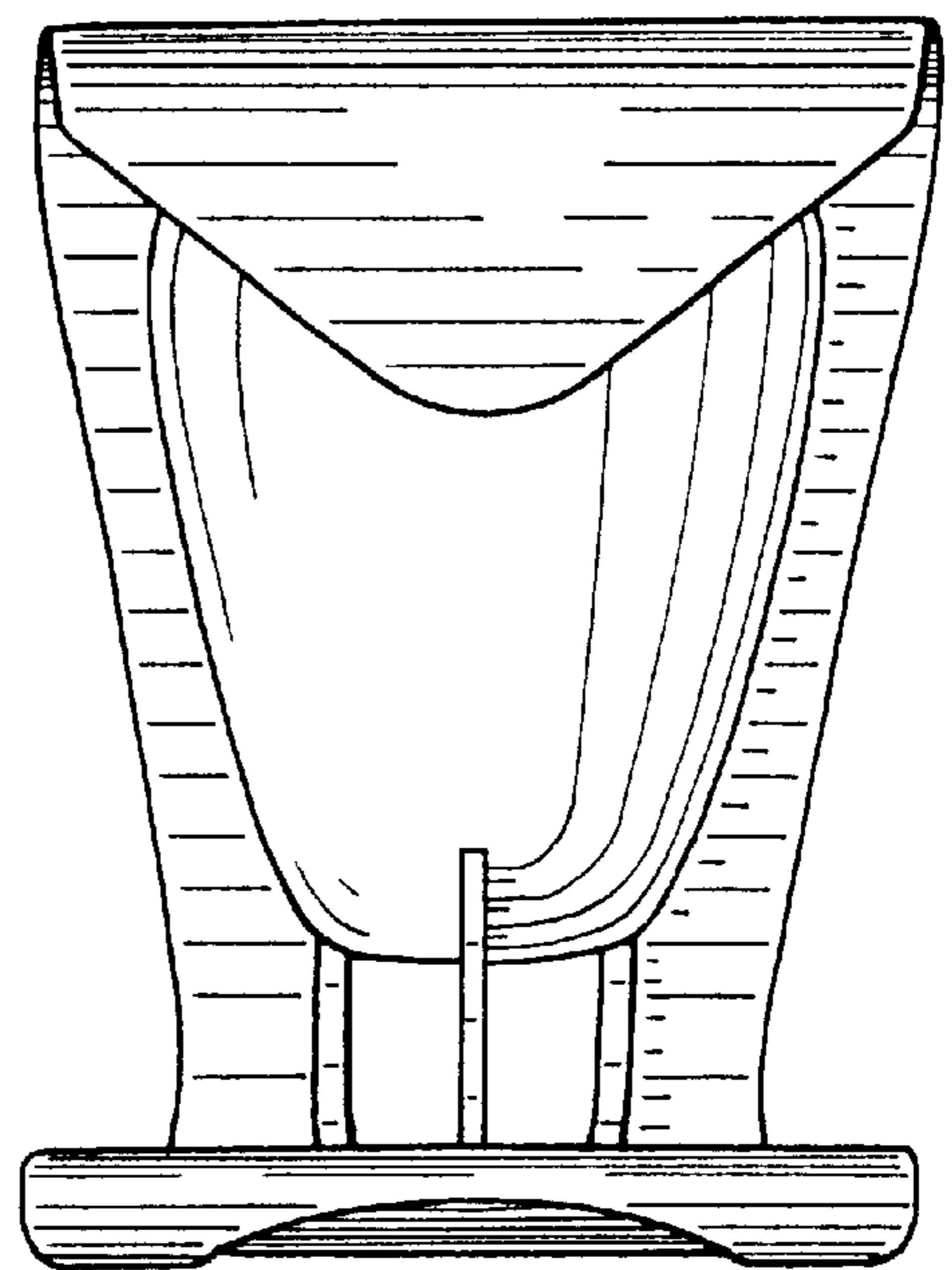


Fig. 8

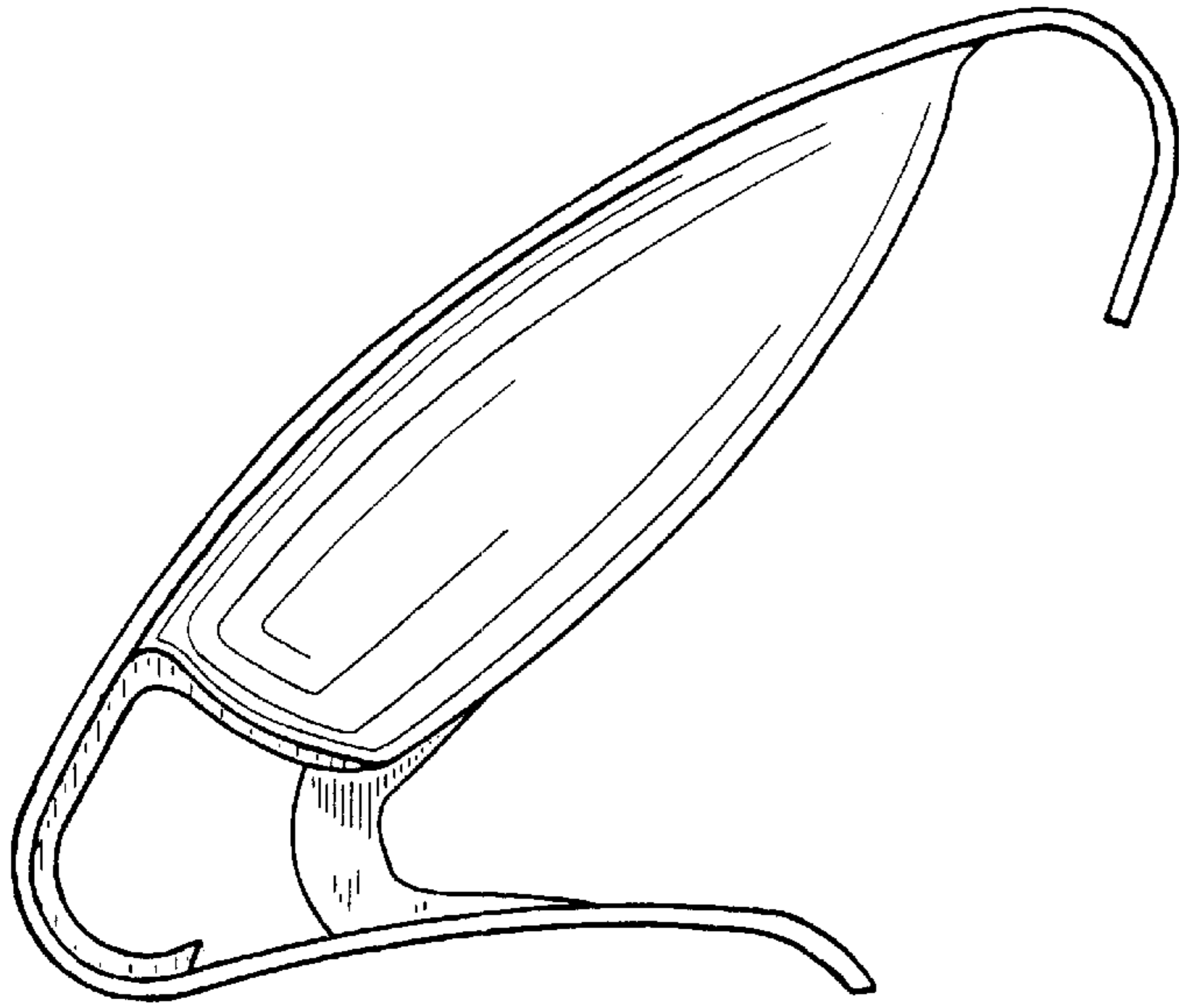


Fig.9

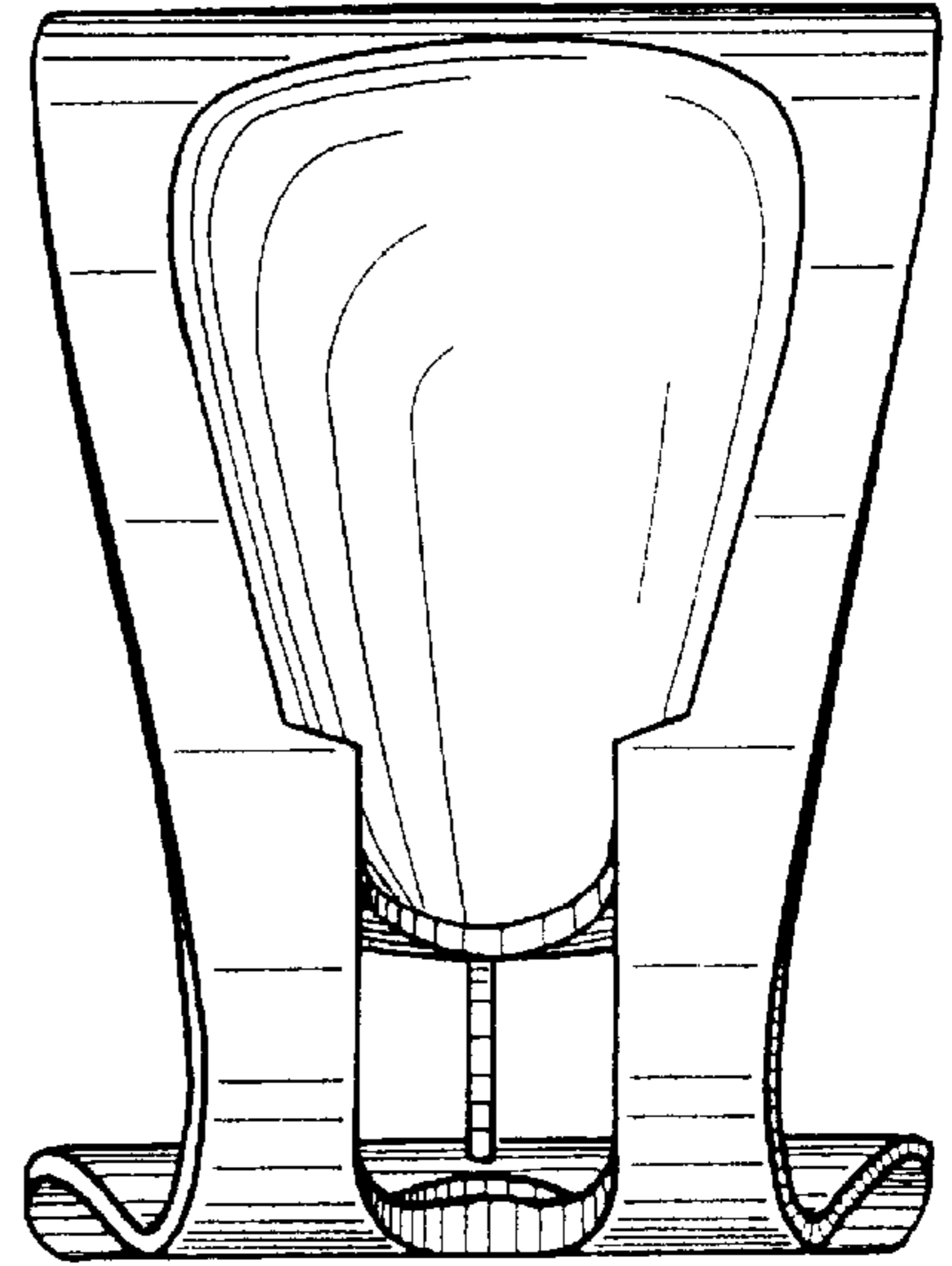


Fig.10

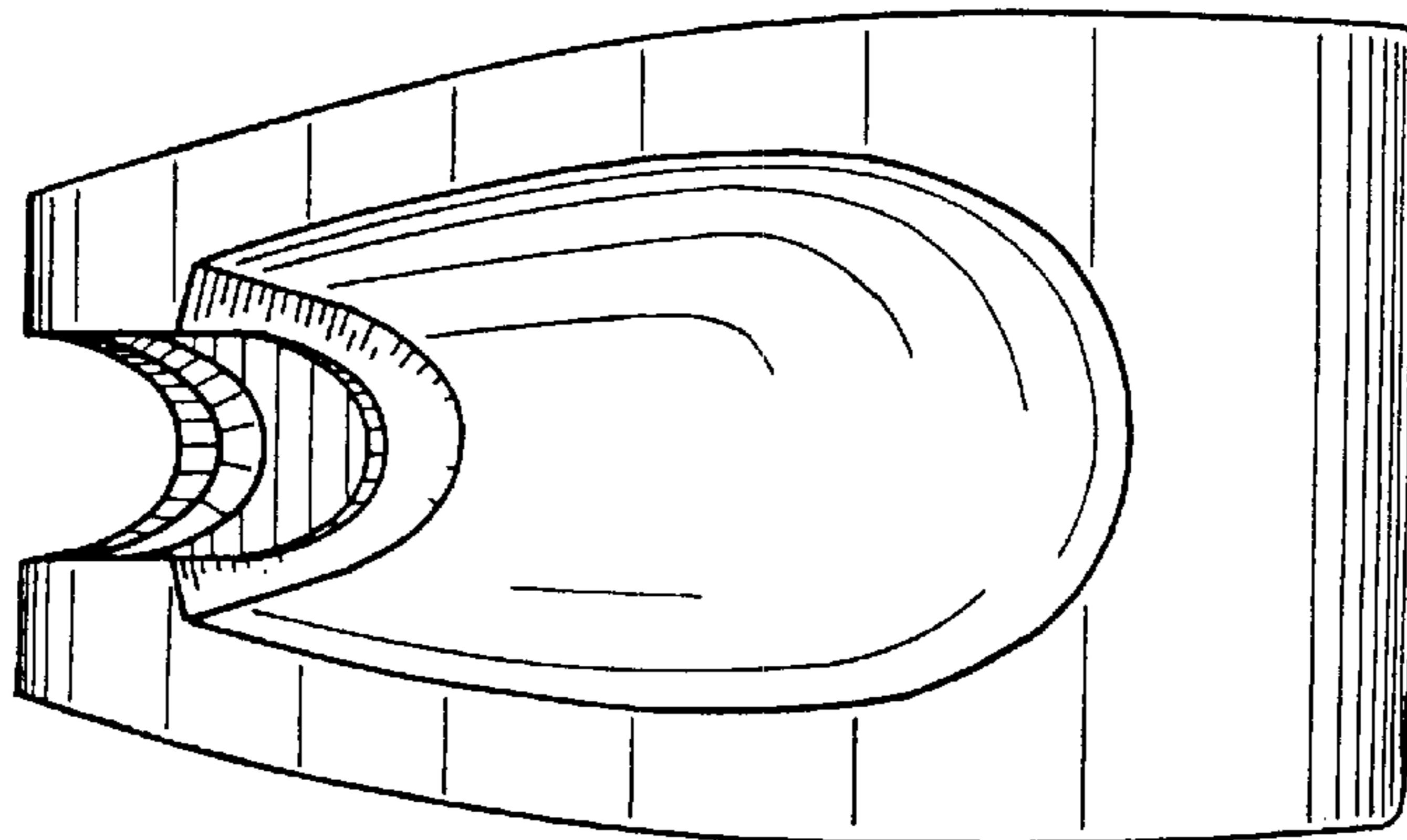


Fig.11

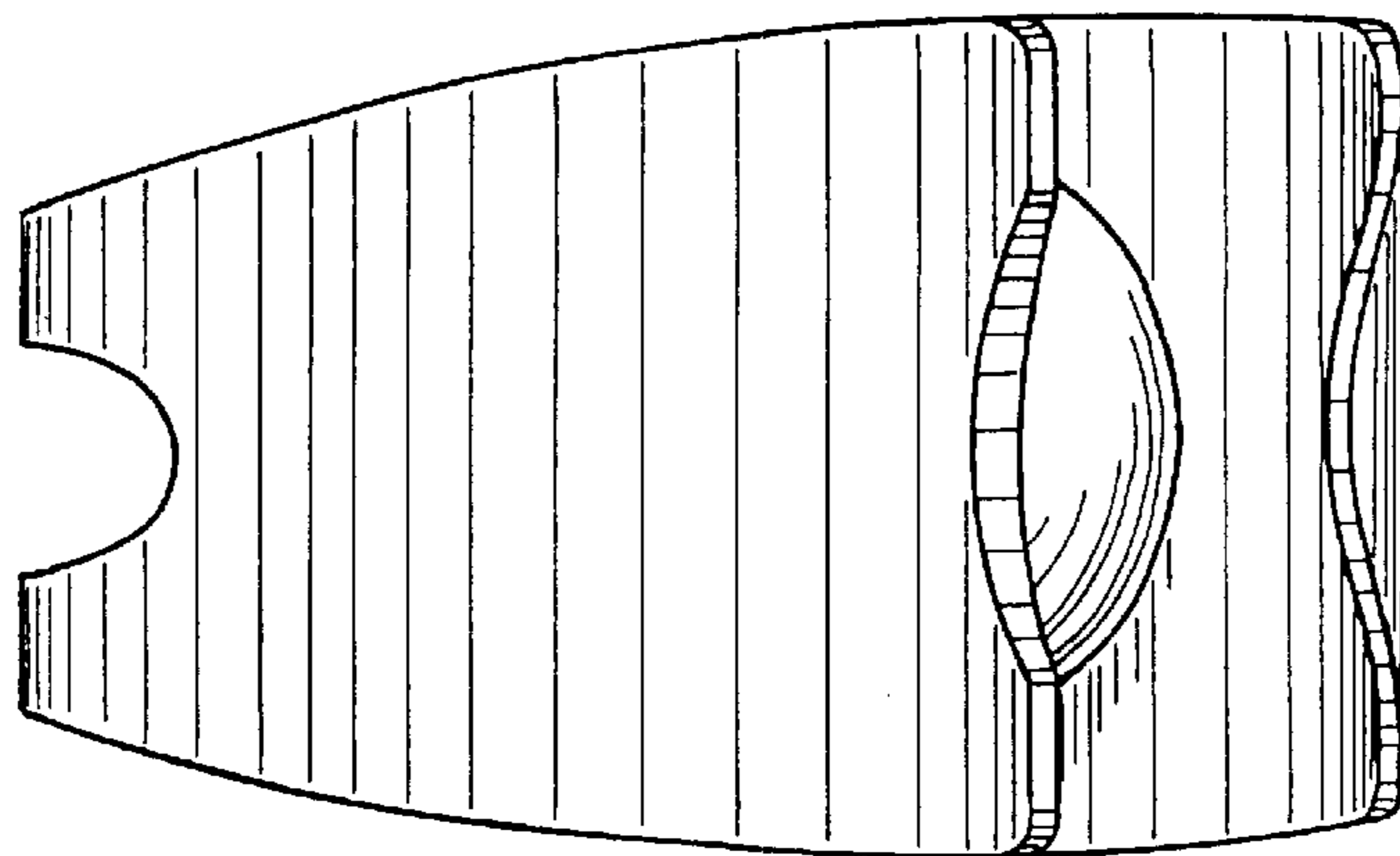


Fig.12