



US00D465302S

(12) **United States Design Patent**
Compton et al.

(10) **Patent No.:** **US D465,302 S**

(45) **Date of Patent:** **** Nov. 5, 2002**

(54) **GUSSET LUMINAIRE**

(75) Inventors: **Wayne W. Compton**, Chino Hills, CA
(US); **Kevin Willmorth**, Chino Hills,
CA (US)

(73) Assignee: **Kim Lighting, Inc.**, City of Industry,
CA (US)

(**) Term: **14 Years**

(21) Appl. No.: **29/142,080**

(22) Filed: **May 16, 2001**

(51) **LOC (7) Cl.** **26-99**

(52) **U.S. Cl.** **D26/155**

(58) **Field of Search** D26/51, 58, 72,
D26/74, 80-92, 138, 142, 145, 155; D8/363;
362/127, 133, 145-153.1, 551, 559, 217,
249; D6/399; 403/231, 401, 402; 52/656.9,
698; 248/220.1, 357, 351

(56) **References Cited**

U.S. PATENT DOCUMENTS

2,052,755 A * 9/1936 Duffy 362/147
2,727,712 A * 12/1955 Holmboe 248/357

D237,819 S * 11/1975 Quin et al. D26/51
4,071,301 A * 1/1978 Pritchard 403/231
D248,990 S * 8/1978 Iacobelli D26/85
D255,941 S * 7/1980 Grant D26/76
5,823,655 A * 10/1998 Brooks 362/145

* cited by examiner

Primary Examiner—Alan P. Douglas

Assistant Examiner—Linda Brooks

(74) *Attorney, Agent, or Firm*—Lyon & Lyon LLP

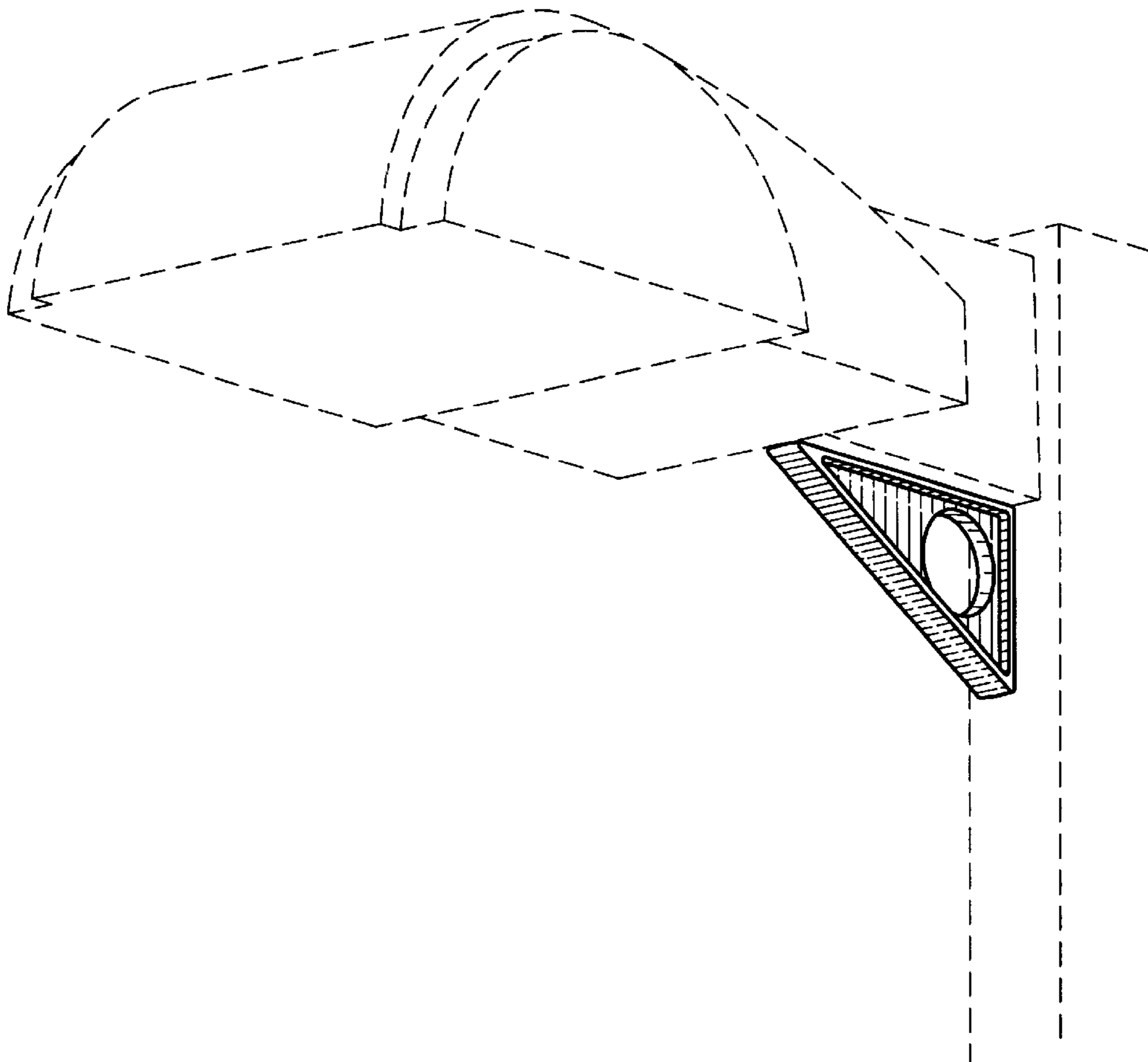
(57) **CLAIM**

The ornamental design for a gusset luminaire, substantially
as shown and described.

DESCRIPTION

FIG. 1 is a front elevational view of the design,
FIG. 2 is a top view, thereof,
FIG. 3 is a side elevational view thereof, the reverse side
being a mirror image
FIG. 4 is a bottom view thereof,
FIG. 5 is a rear elevational view thereof, and,
FIG. 6 is an enlarged prospective view thereof.
The broken lines shown are for illustrative purposes only
and form no part of the claimed design.

1 Claim, 2 Drawing Sheets



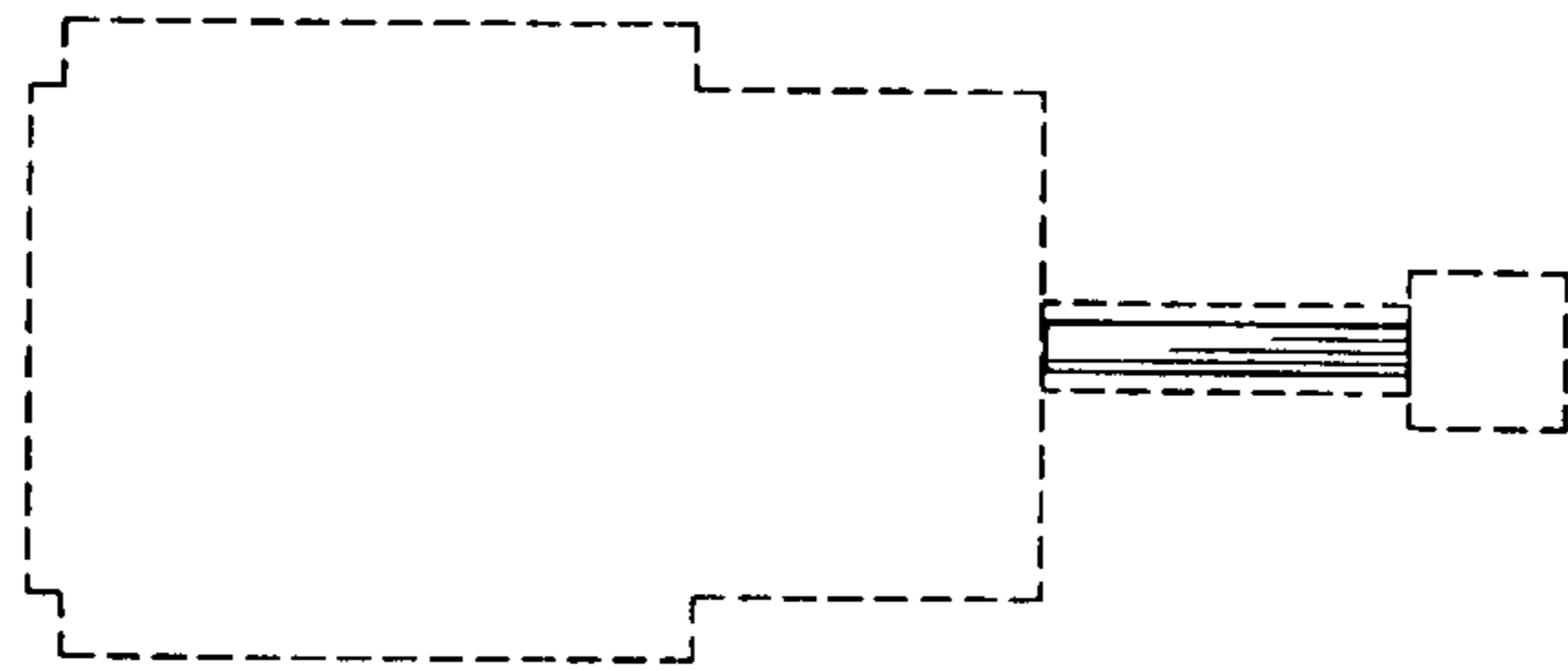


FIG. 2

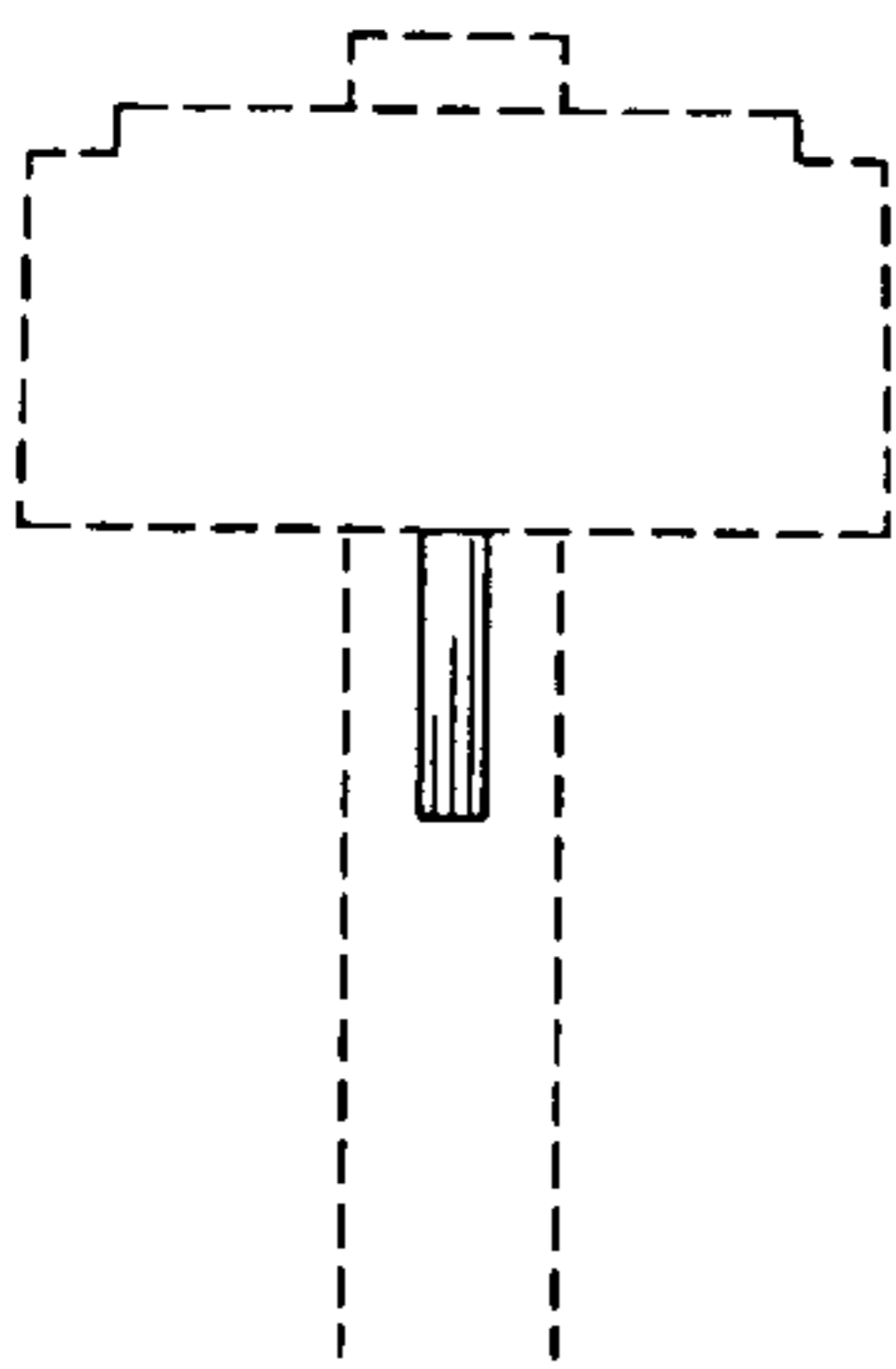


FIG. 1

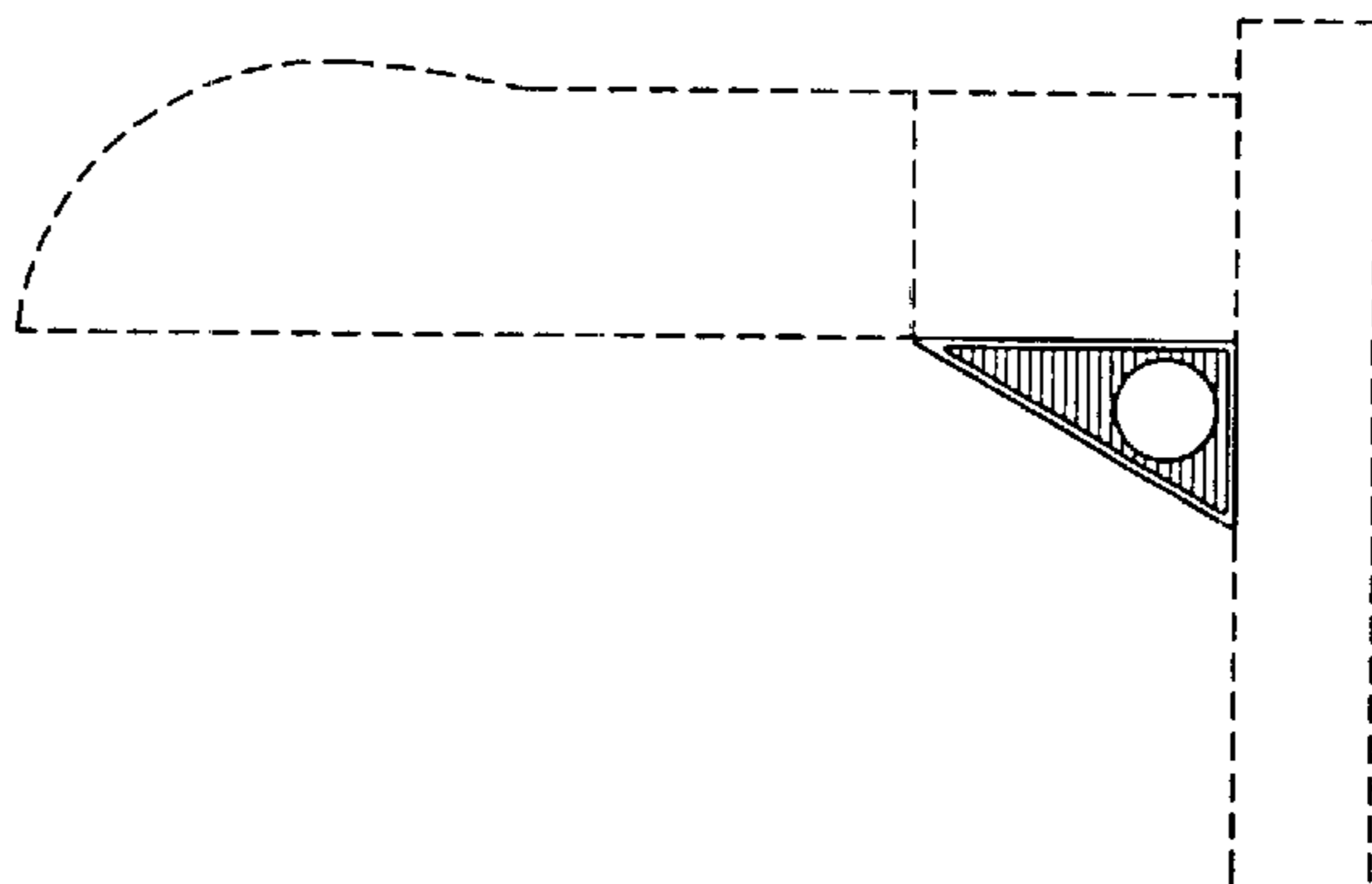


FIG. 3

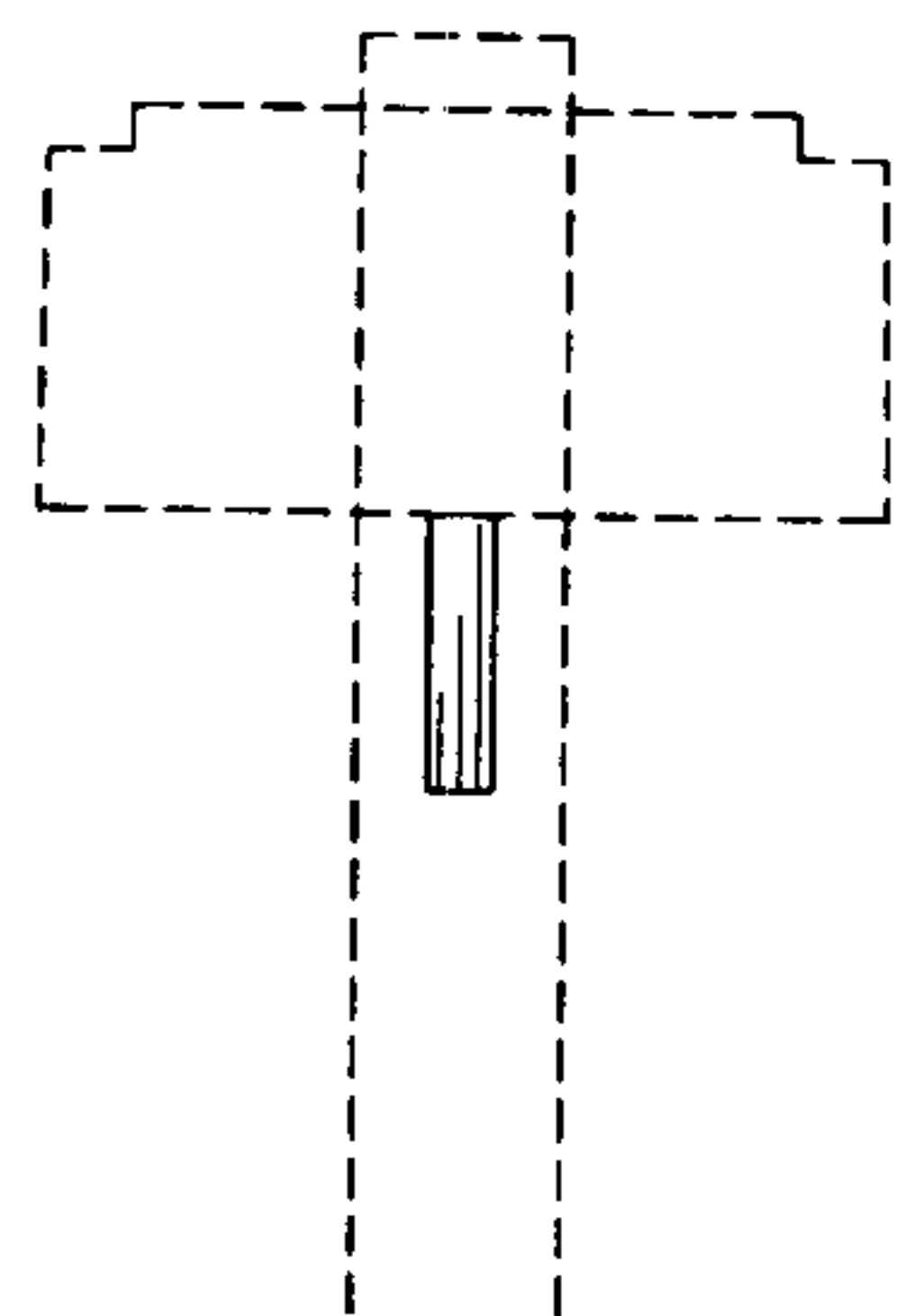


FIG. 5

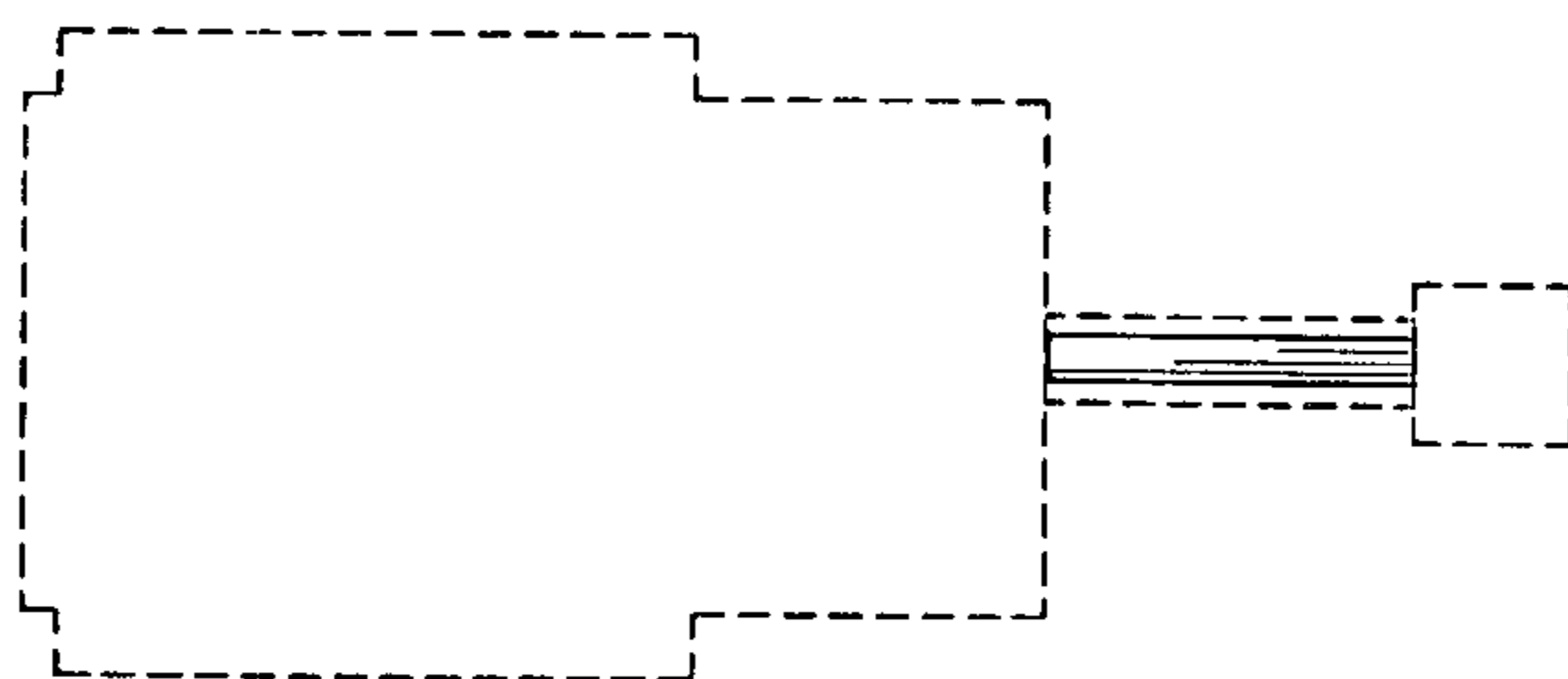


FIG. 4

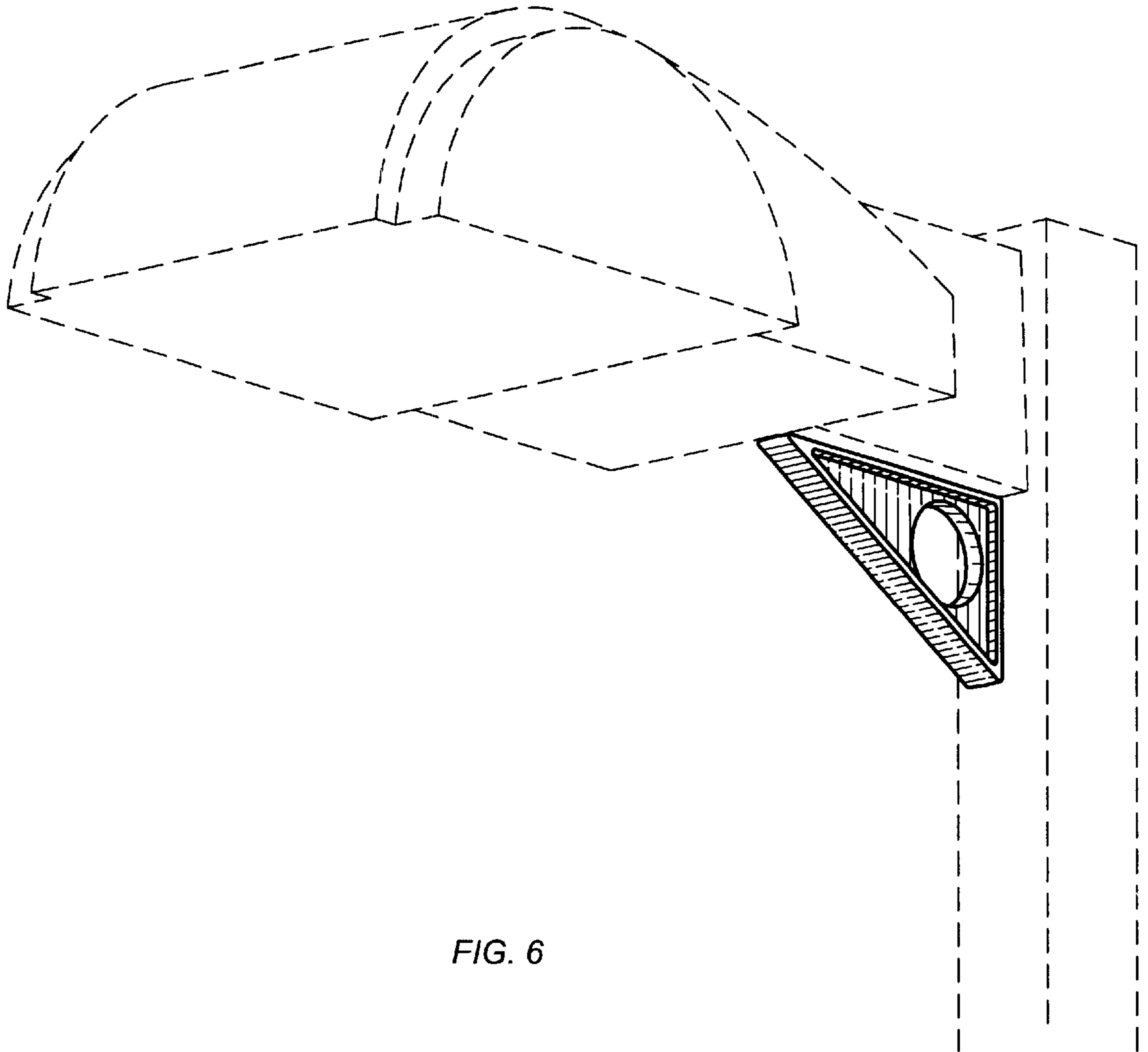


FIG. 6