



US00D465300S

(12) **United States Design Patent** (10) **Patent No.:** **US D465,300 S**
De'Armond (45) **Date of Patent:** **** Nov. 5, 2002**

(54) **LAMP HOUSING**

(75) Inventor: **Robert De'Armond**, Temecula, CA (US)

(73) Assignee: **Minka Lighting, Inc.**, Corona, CA (US)

(**) Term: **14 Years**

(21) Appl. No.: **29/147,214**

(22) Filed: **Aug. 24, 2001**

(51) **LOC (7) Cl.** **26-99**

(52) **U.S. Cl.** **D26/129; D26/87**

(58) **Field of Search** D26/72, 80, 85-87, D26/92, 67, 118, 128, 129; 362/147, 432, 404-408, 362, 363

(56) **References Cited**

U.S. PATENT DOCUMENTS

D91,510 S * 2/1934 Clarke
D440,003 S * 4/2001 Berry D26/87

OTHER PUBLICATIONS

Fine Art Lamps' 2000 Catalog, (c)2000, p. 92, item #702949, Tuscan Villa.*

Progress Lighting Catalog #124, (c)2000 p. 29 the Chatam collection.*

U.S. patent application Ser. No. 29/147,220, Robert De'Armond, filed Aug. 24, 2001.

Minka Lighting, Inc.; The Great Outdoors by Minka-Lavery Two Thousand One; Jun. 18, 2001; pp. 36, 37; Minka Lighting, Inc.; U.S.A.

* cited by examiner

Primary Examiner—Alan P. Douglas

Assistant Examiner—Clare E. Heflin

(74) *Attorney, Agent, or Firm*—Jenkins & Gilchrist, P.C.

(57) **CLAIM**

The ornamental design for the lamp housing, as shown and described.

DESCRIPTION

FIG. 1 is a side elevation view of the lamp housing in accordance with my design, illustrating a possible environment for the lamp;

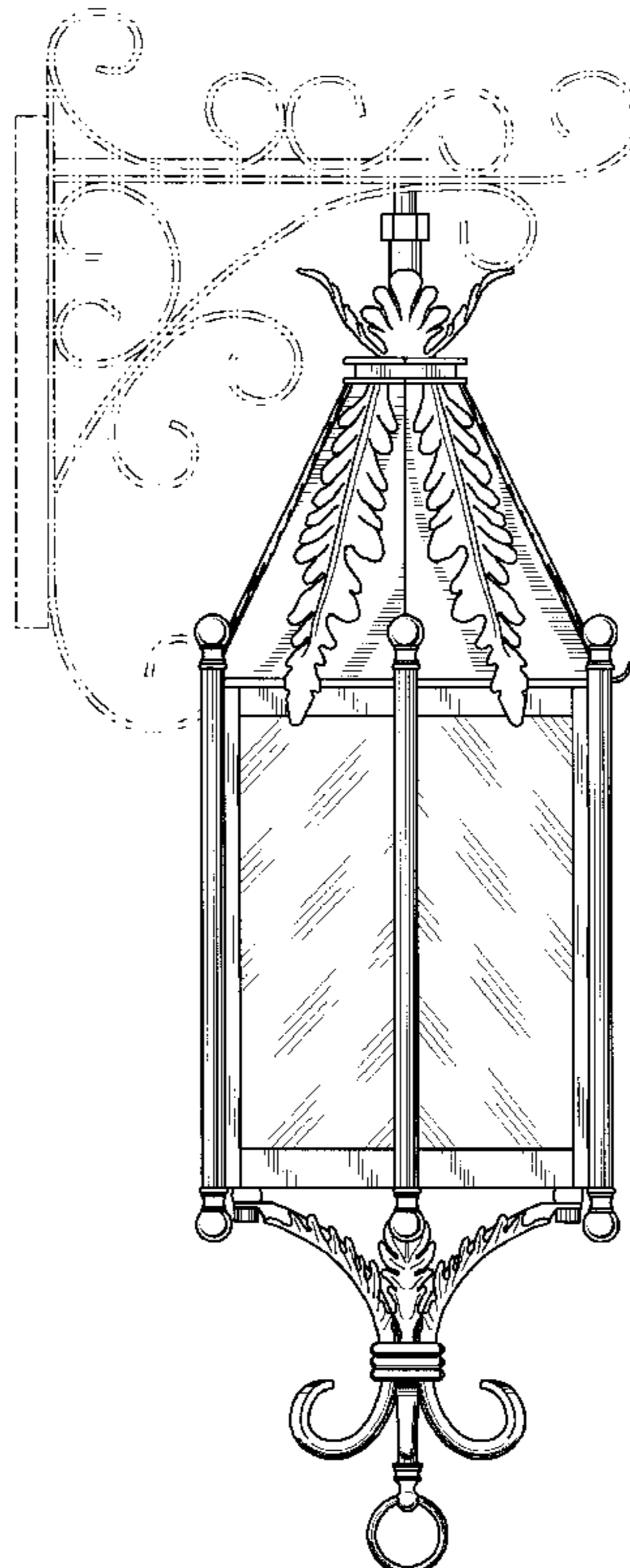
FIG. 2 is a front elevation view of the lamp housing in accordance with my design;

FIG. 3 is a top plan view of the lamp housing in accordance with my design; and,

FIG. 4 is a bottom plan view of the lamp housing in accordance with my design.

The right and left elevation views are symmetrical and the front and rear elevation views are symmetrical. The broken lines showing environmental structure are for illustrative purposes only and form no part of the claimed design.

1 Claim, 2 Drawing Sheets



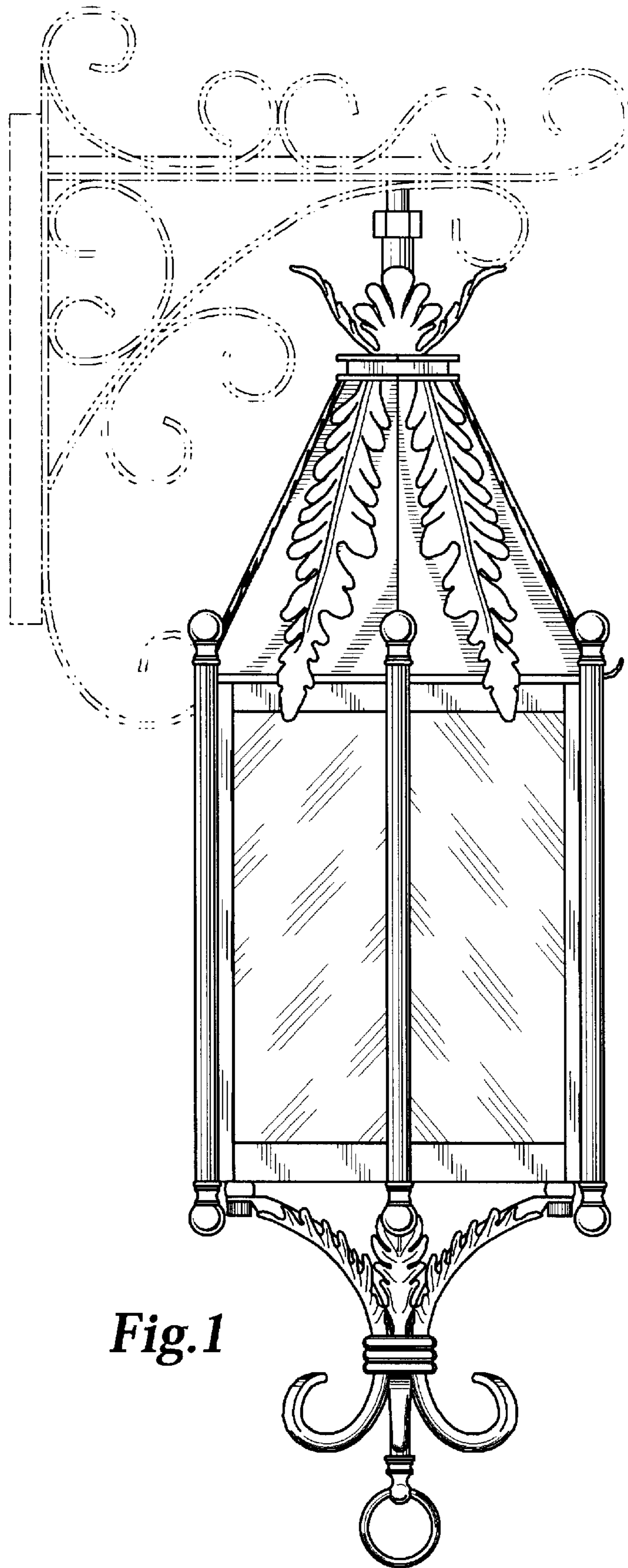


Fig. 1

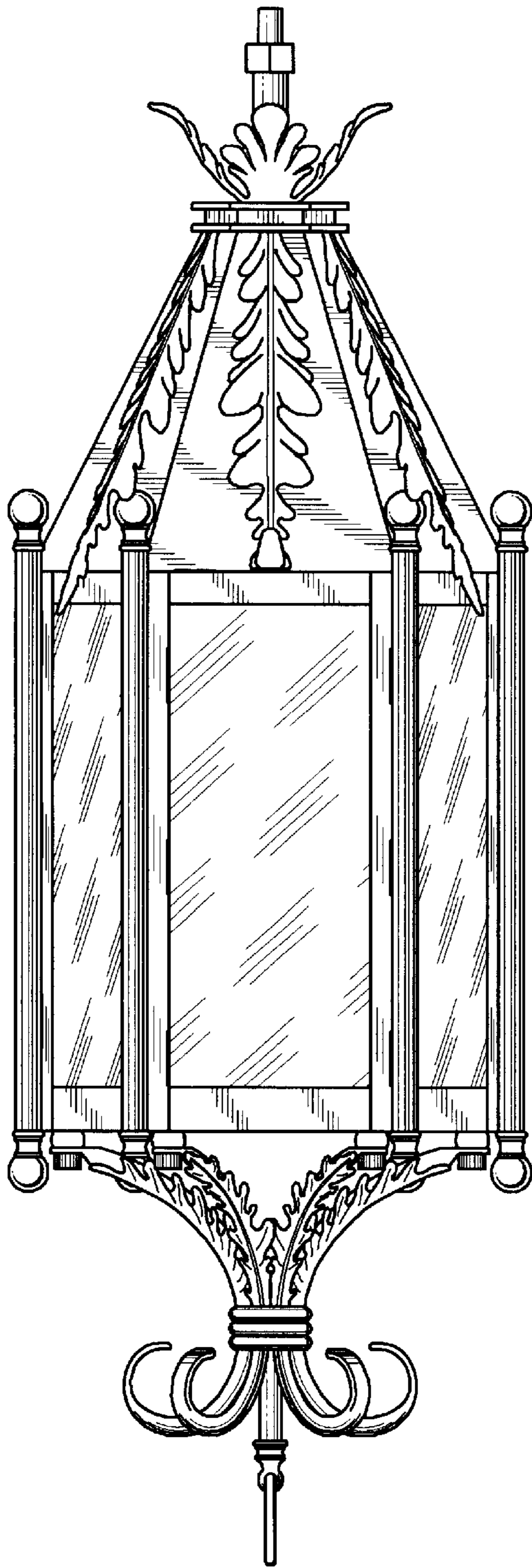


Fig.2

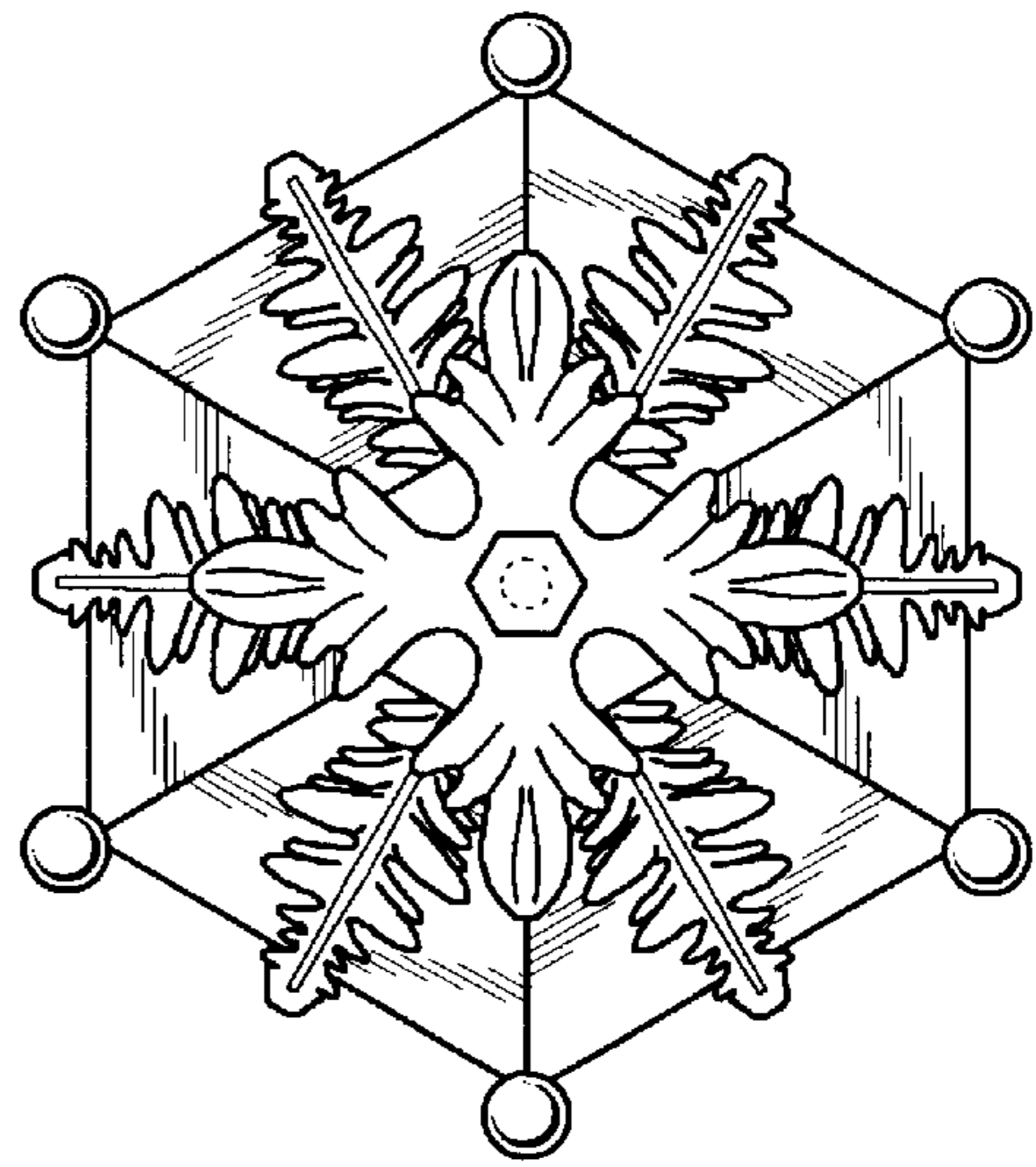


Fig.3

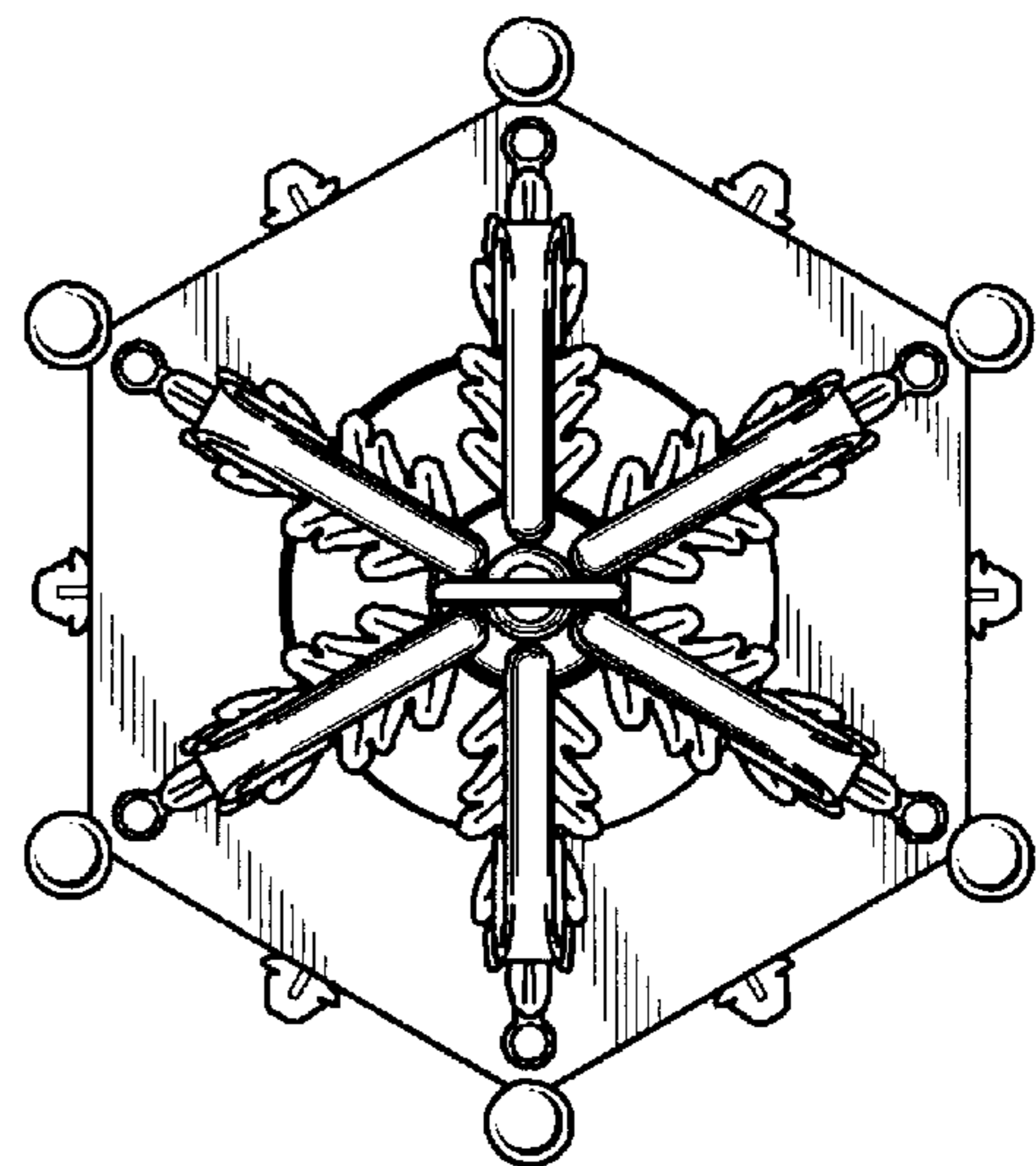


Fig.4