



US00D465299S

(12) **United States Design Patent**  
**Hsu**

(10) **Patent No.:** **US D465,299 S**

(45) **Date of Patent:** **\*\* Nov. 5, 2002**

(54) **PARTY LAMP**

(76) **Inventor:** **Kuei-Min Hsu**, 9F, No.127-1,Min Chuan W. Road, Taipei (TW)

(\*\*) **Term:** **14 Years**

(21) **Appl. No.:** **29/144,461**

(22) **Filed:** **Jul. 5, 2001**

(51) **LOC (7) Cl.** ..... **26-03**

(52) **U.S. Cl.** ..... **D26/104**

(58) **Field of Search** ..... D26/93-112; 362/410-414, 362/806, 811

(56) **References Cited**

**U.S. PATENT DOCUMENTS**

D403,800 S \* 1/1999 Chen ..... D26/104  
D433,769 S \* 11/2000 Liu ..... D26/104

\* cited by examiner

*Primary Examiner*—Alan P. Douglas

*Assistant Examiner*—Linda Brooks

(74) *Attorney, Agent, or Firm*—Jacobson Holman, PLLC

(57) **CLAIM**

The ornamental design for a party lamp, as shown and described.

**DESCRIPTION**

FIG. 1 is a perspective view of a party lamp showing my new design;

FIG. 2 is a front elevation view thereof;

FIG. 3 is a rear elevation view thereof;

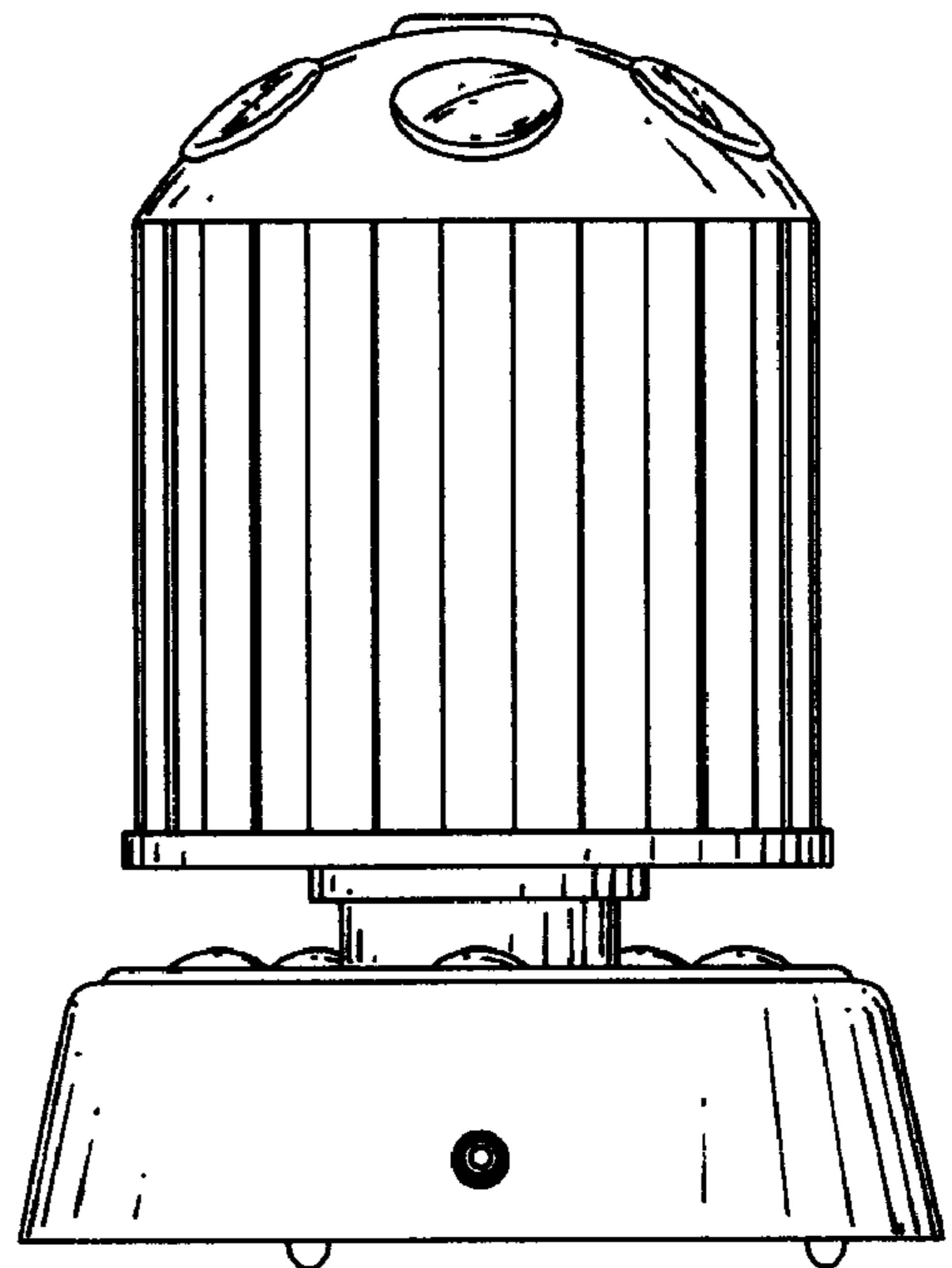
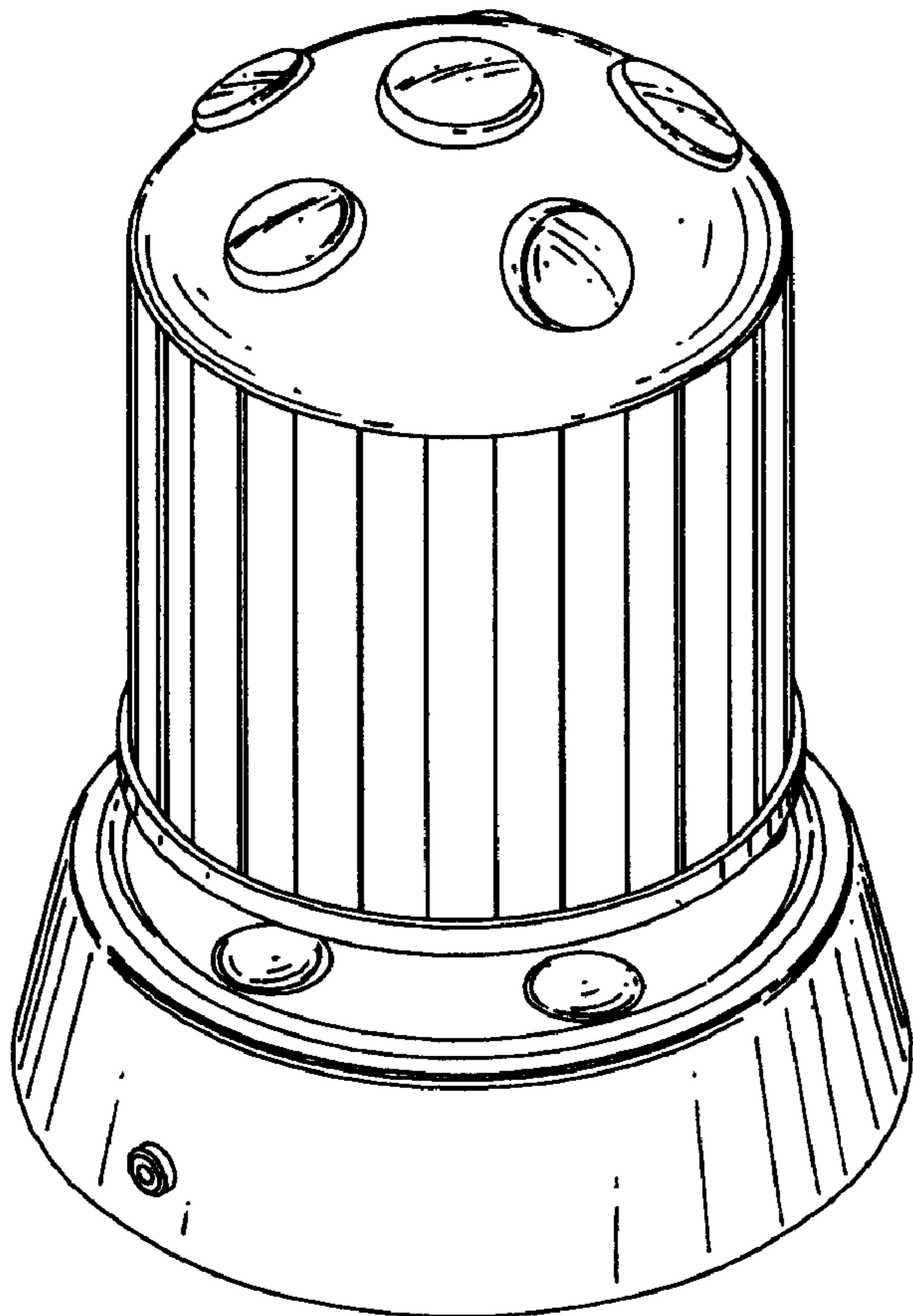
FIG. 4 is a left side elevation view thereof;

FIG. 5 is a right side elevation view thereof;

FIG. 6 is a top plan view thereof; and,

FIG. 7 is a bottom plan view thereof.

**1 Claim, 3 Drawing Sheets**



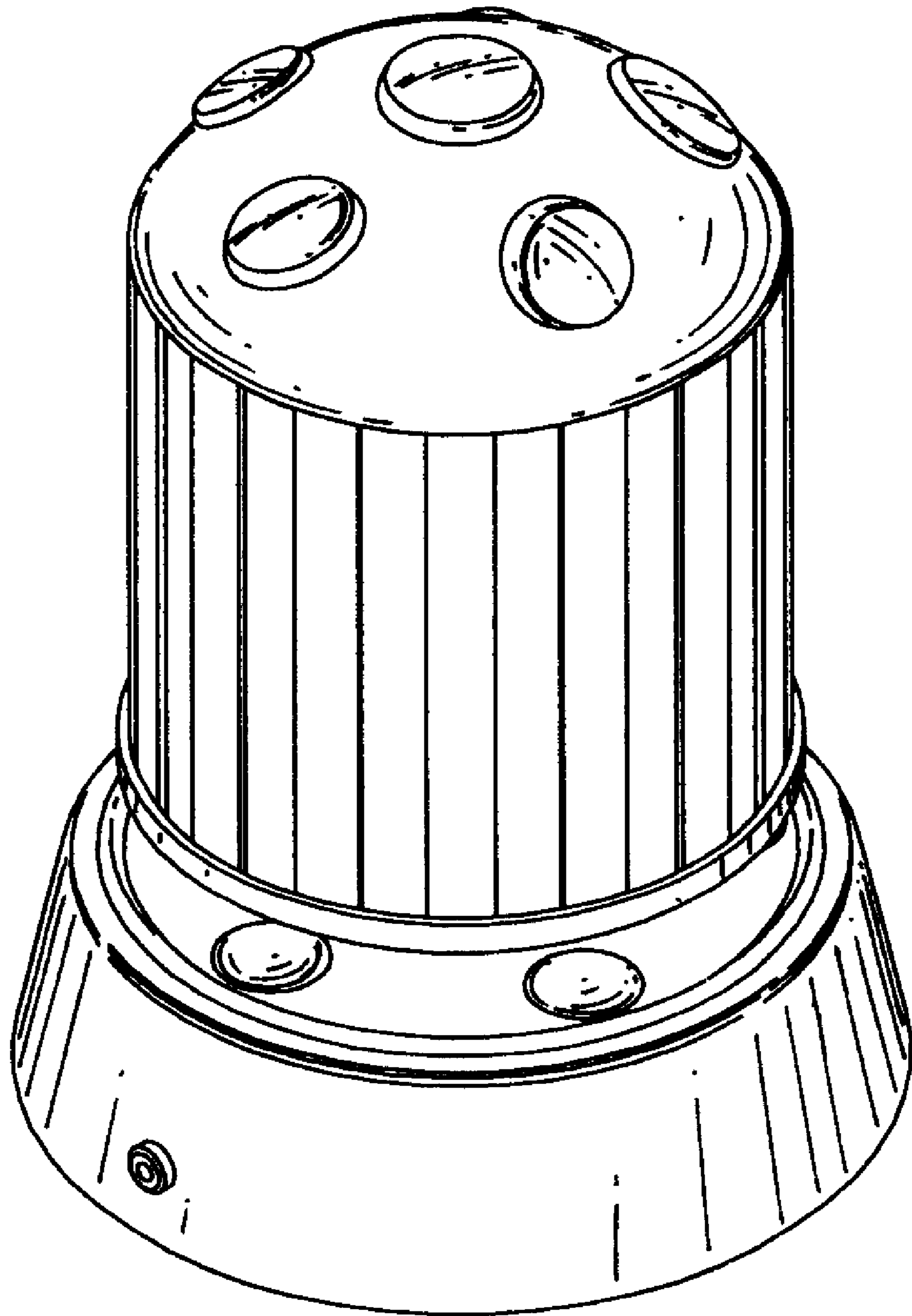


Fig. 1

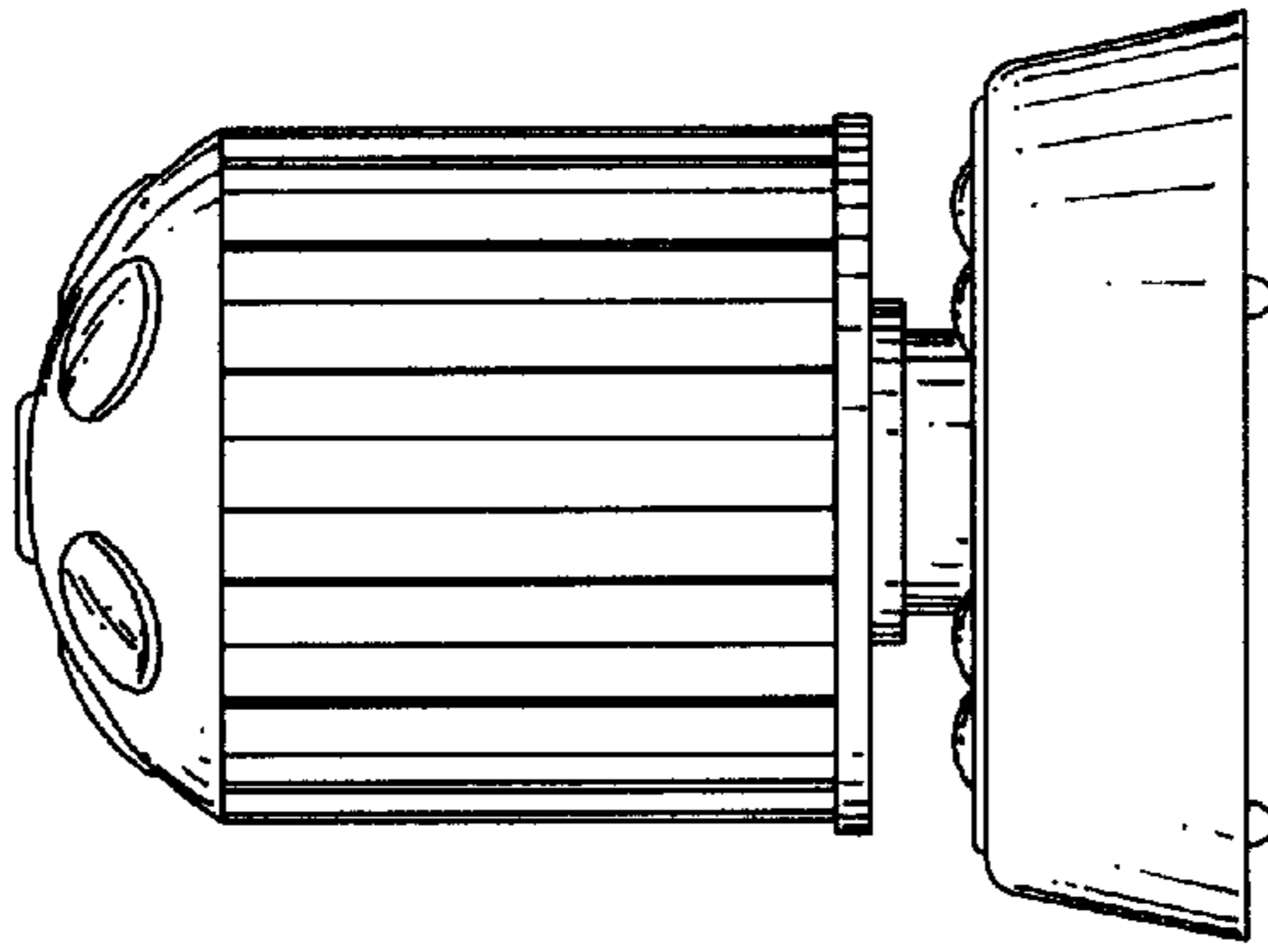


Fig.3

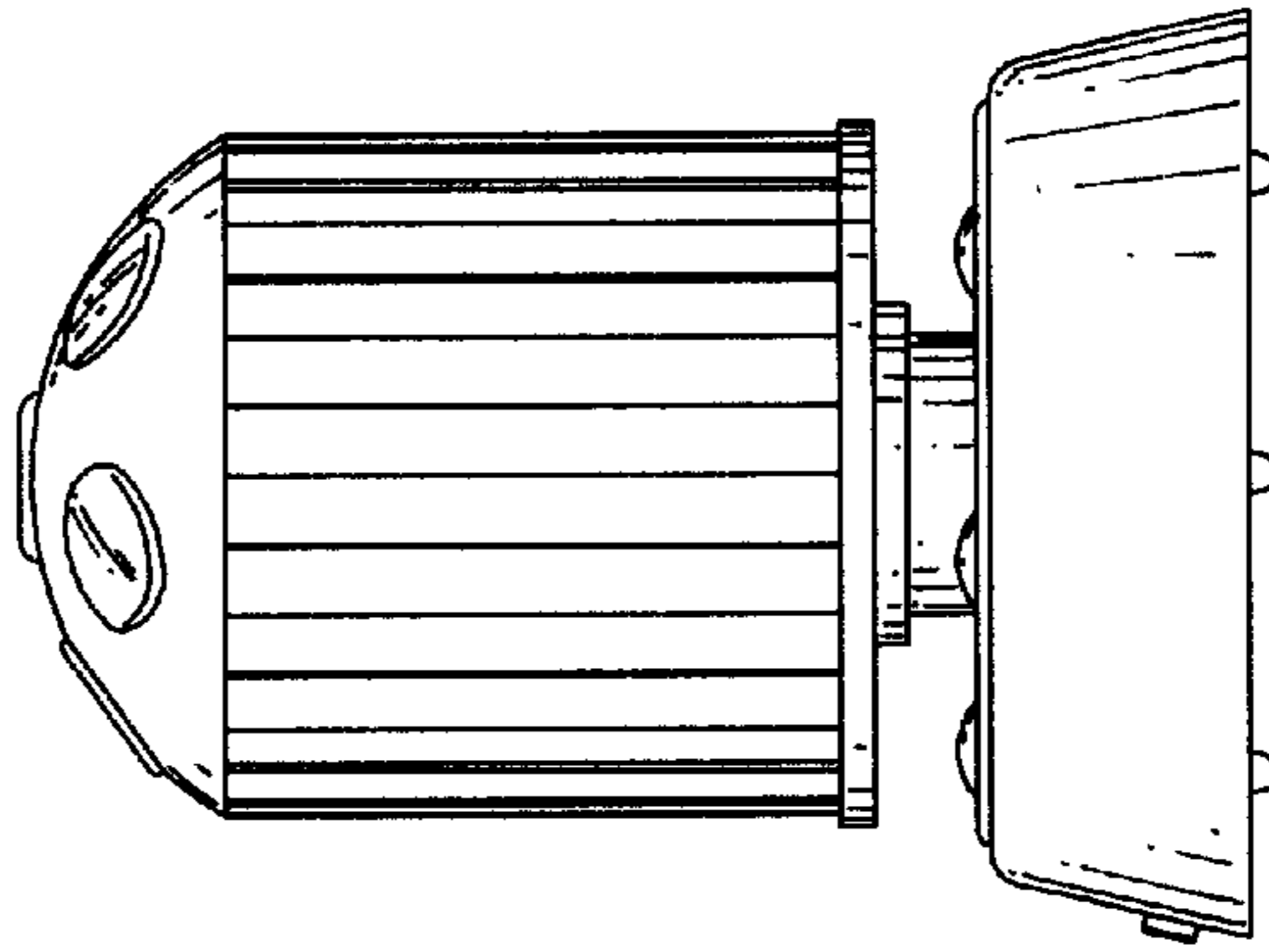


Fig.5

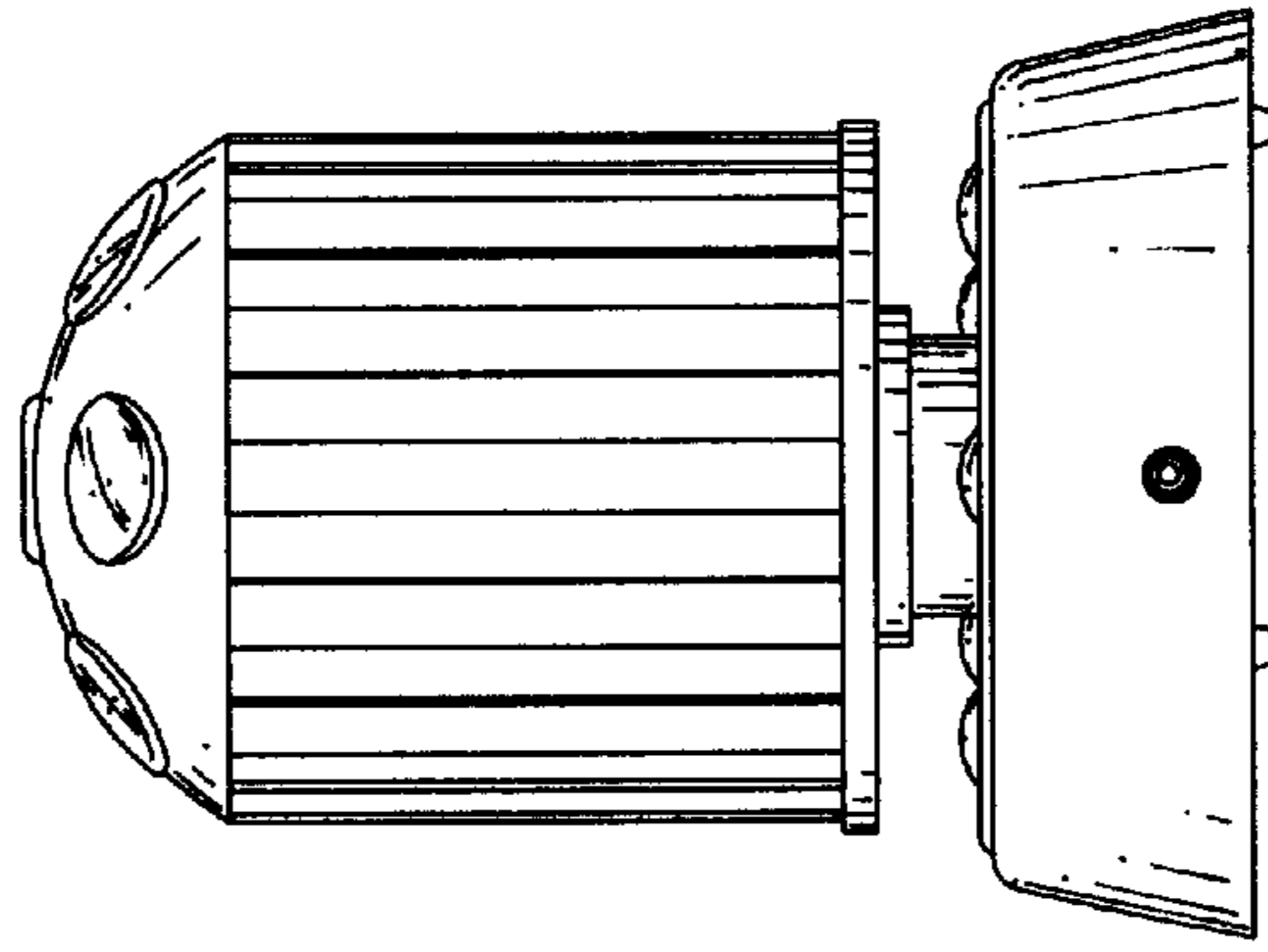


Fig.2

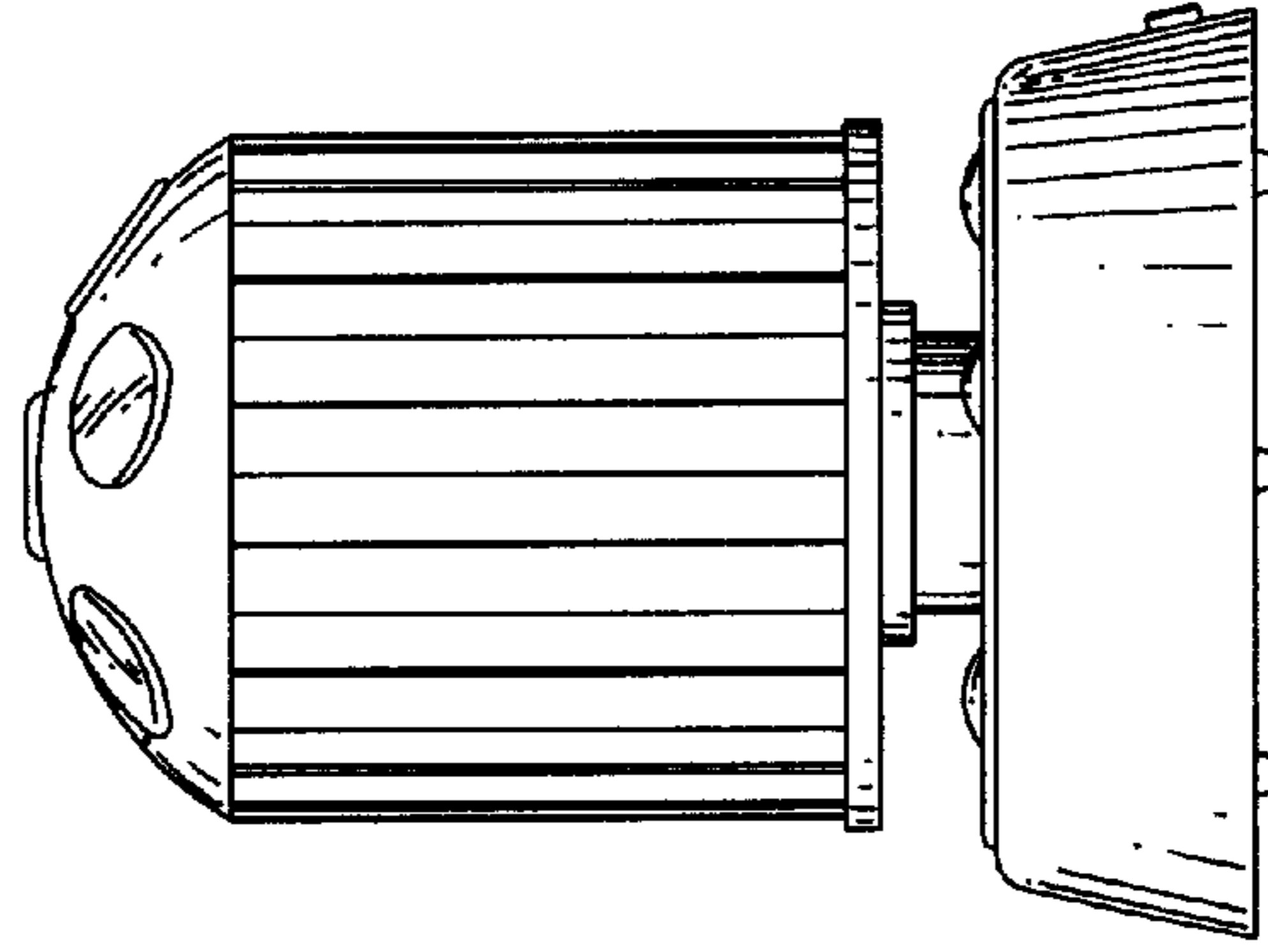


Fig.4

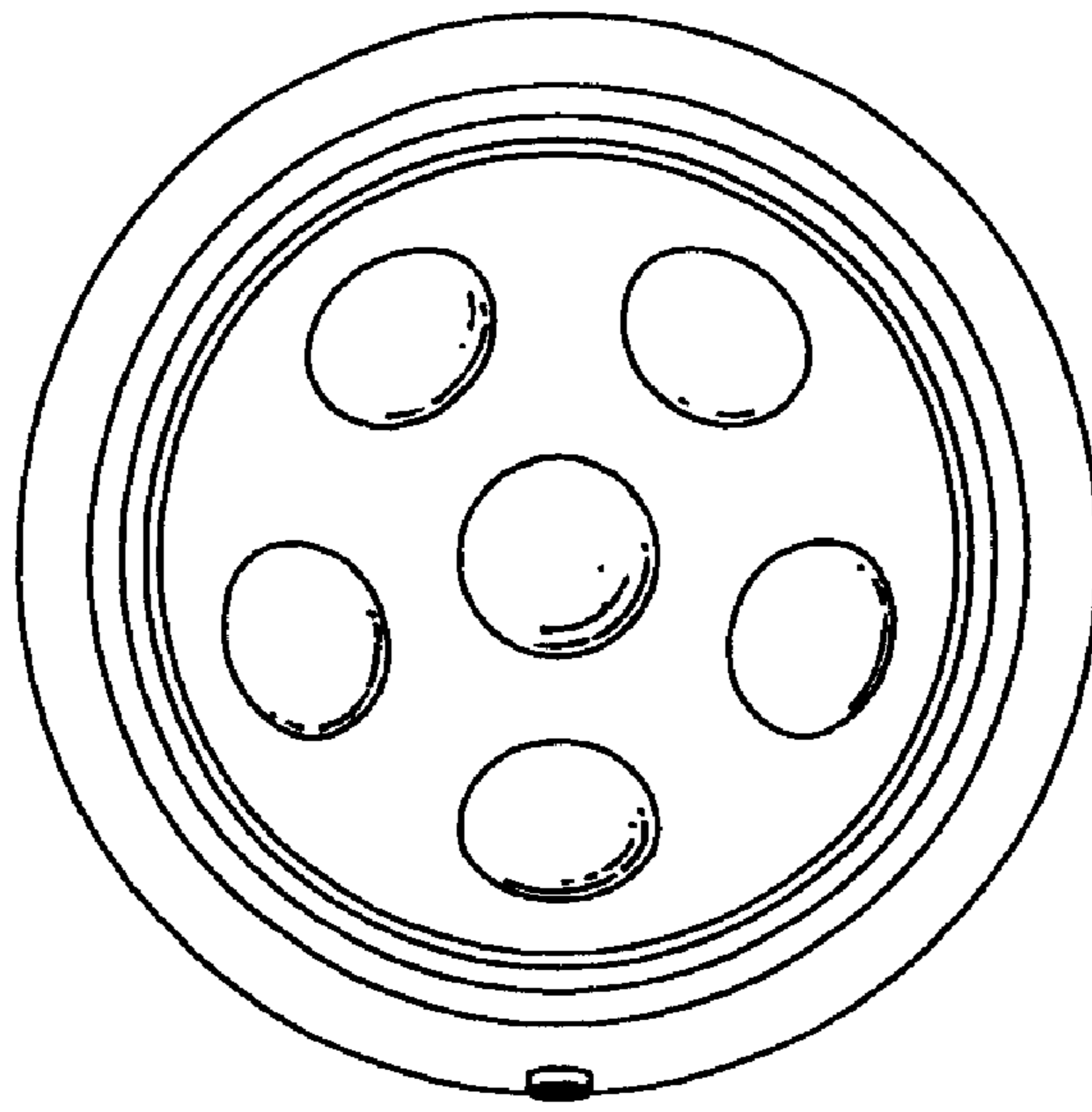


Fig.6

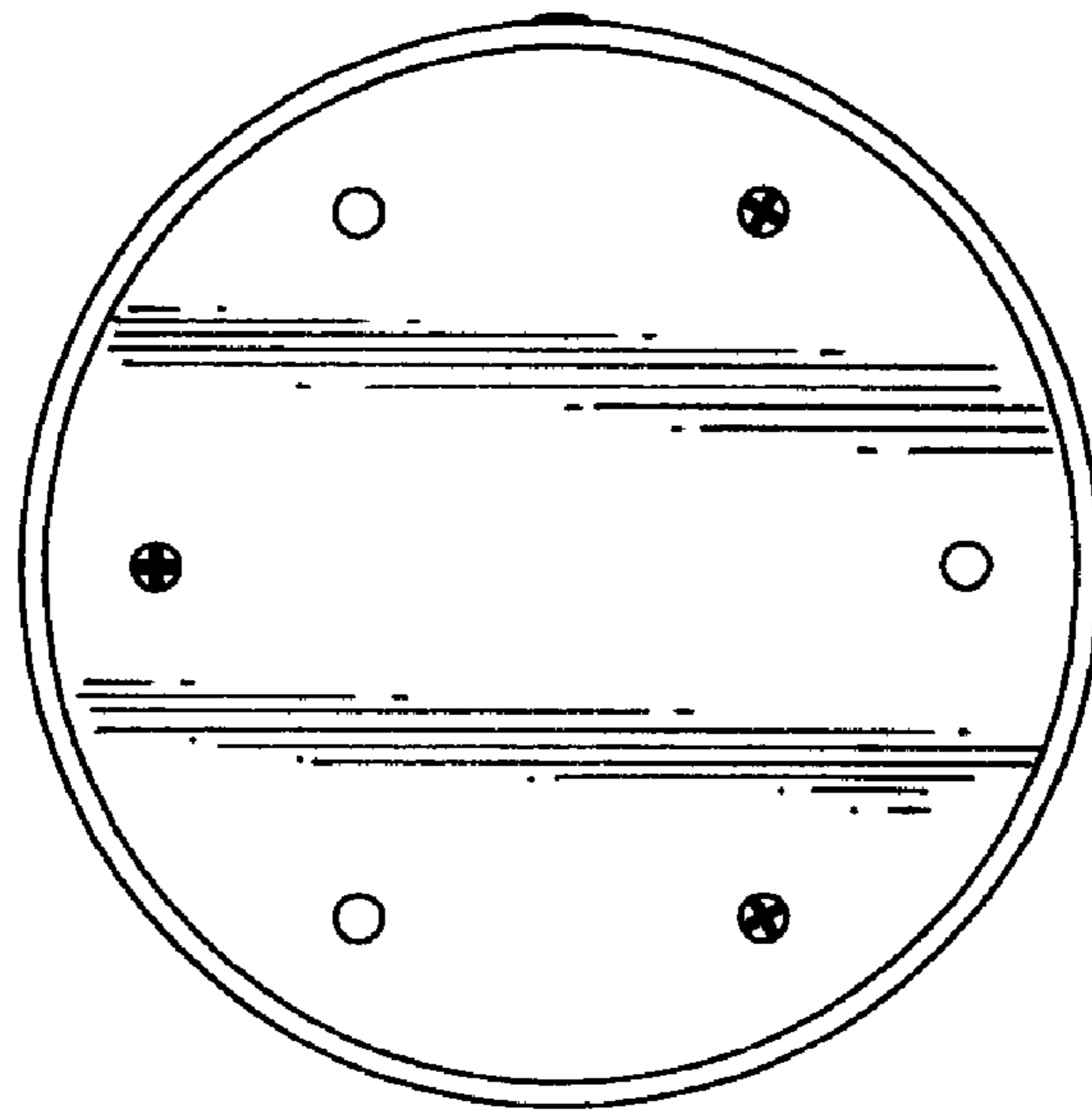


Fig.7