



US00D465298S

(12) **United States Design Patent**
Gottwald

(10) **Patent No.:** **US D465,298 S**

(45) **Date of Patent:** **** Nov. 5, 2002**

(54) **LIGHTING FIXTURE**

(75) Inventor: **Adolf Gottwald**, Iserlohn (DE)

(73) Assignee: **Friedrich Grohe AG & Co. KG**,
Hemer (DE)

(**) Term: **14 Years**

(21) Appl. No.: **29/142,683**

(22) Filed: **May 31, 2001**

(30) **Foreign Application Priority Data**

Dec. 1, 2000 (DE) 4 00 11 471

(51) **LOC (7) Cl.** **26-03**

(52) **U.S. Cl.** **D26/85**

(58) **Field of Search** D26/72-74, 80-87,
D26/92; 362/147, 432, 363, 367, 368

(56) **References Cited**

U.S. PATENT DOCUMENTS

D164,507 S	*	9/1951	McCann	
D261,685 S	*	11/1981	Kvasnicka D26/87
D403,097 S	*	12/1998	Littman D26/87
D413,998 S	*	9/1999	Littman D26/87
D442,317 S	*	5/2001	Crosby D26/87

OTHER PUBLICATIONS

Taiwan Lighting May 2000 p. 117 item No. MF-0007.*
Progress Lighting Ideas (c) 1990 p. 168, 6" extruded
up/down cylinder, bottom right photo.*

* cited by examiner

Primary Examiner—Alan P. Douglas

Assistant Examiner—Clare E. Heflin

(74) *Attorney, Agent, or Firm*—Herbert Dubno

(57) **CLAIM**

The ornamental design for a lighting fixture, as shown and described.

DESCRIPTION

FIG. 1 is a top, front, left-side perspective view of a lighting fixture showing my new design;

FIG. 2 is a top plan view thereof;

FIG. 3 is a right side elevational view thereof, the left side elevational view being mirror symmetrical thereto;

FIG. 4 is a bottom plan view thereof;

FIG. 5 is a rear elevational view thereof; and,

FIG. 6 is a front elevational view thereof.

1 Claim, 3 Drawing Sheets

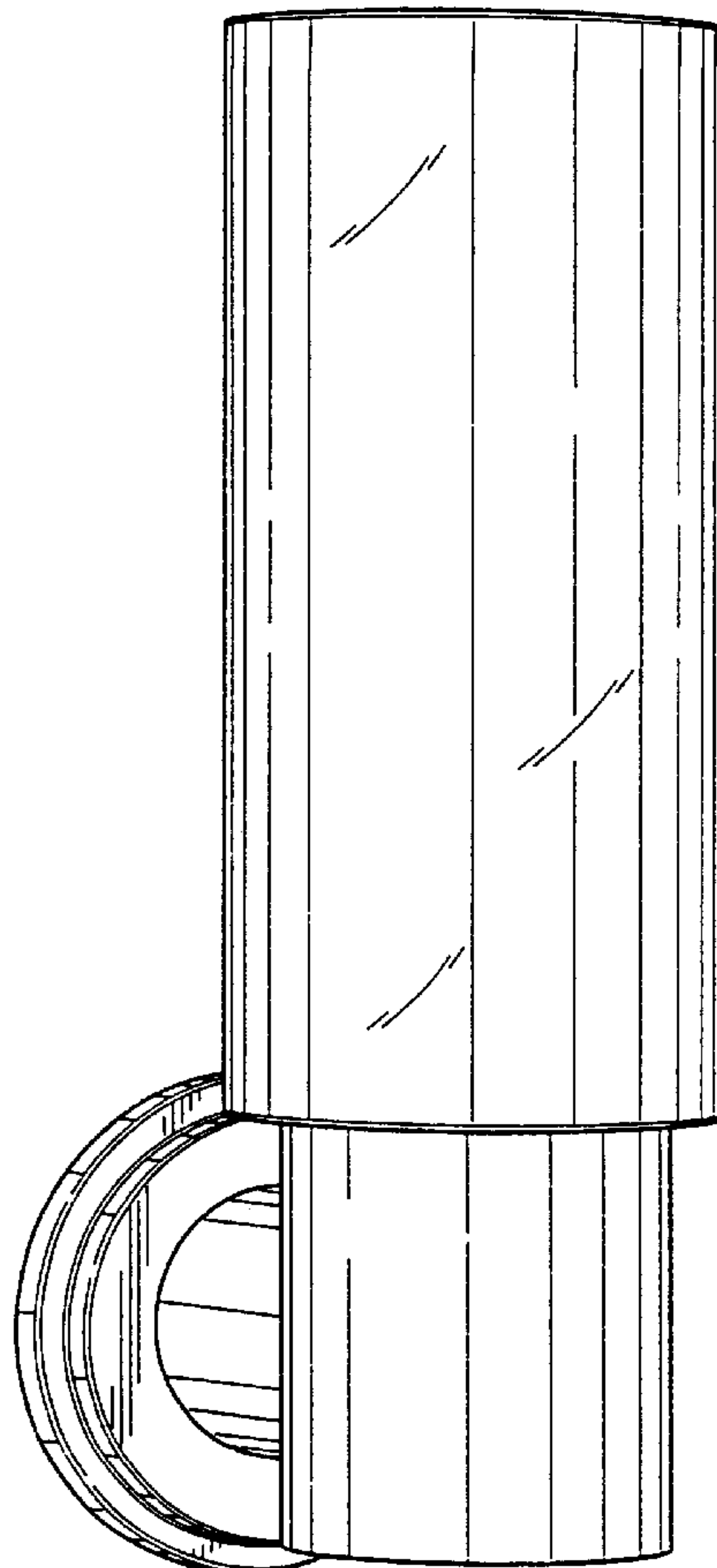


FIG. 1

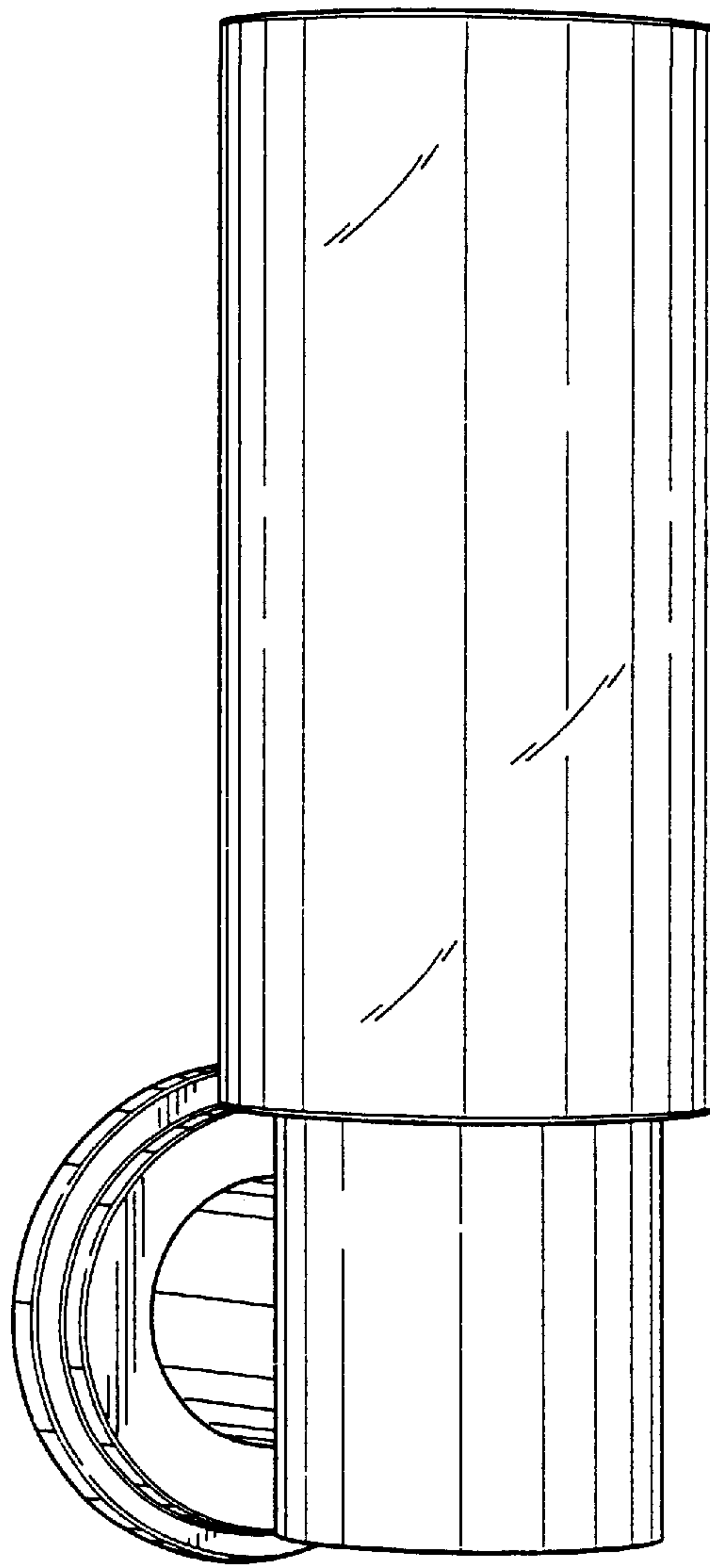
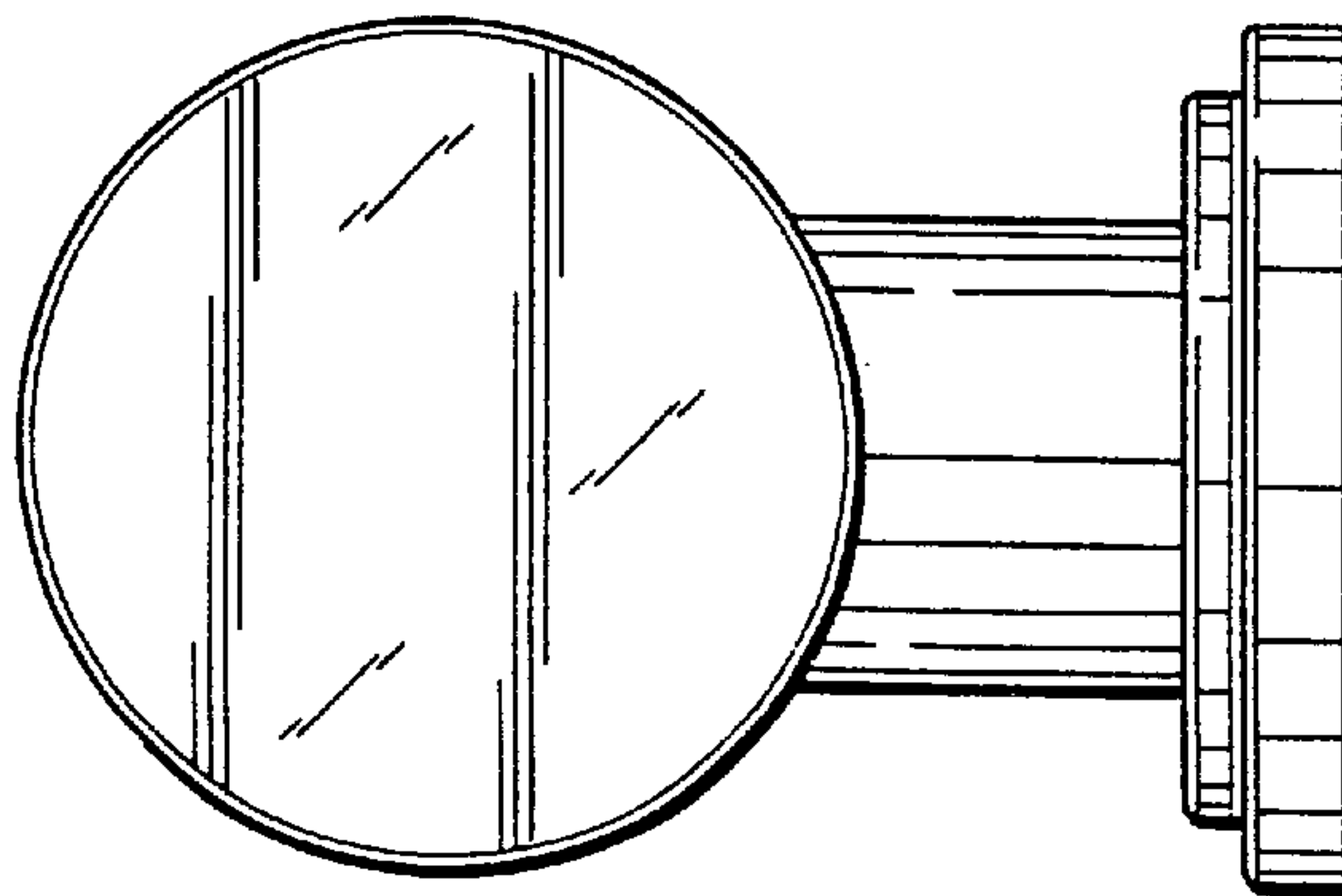


FIG. 2



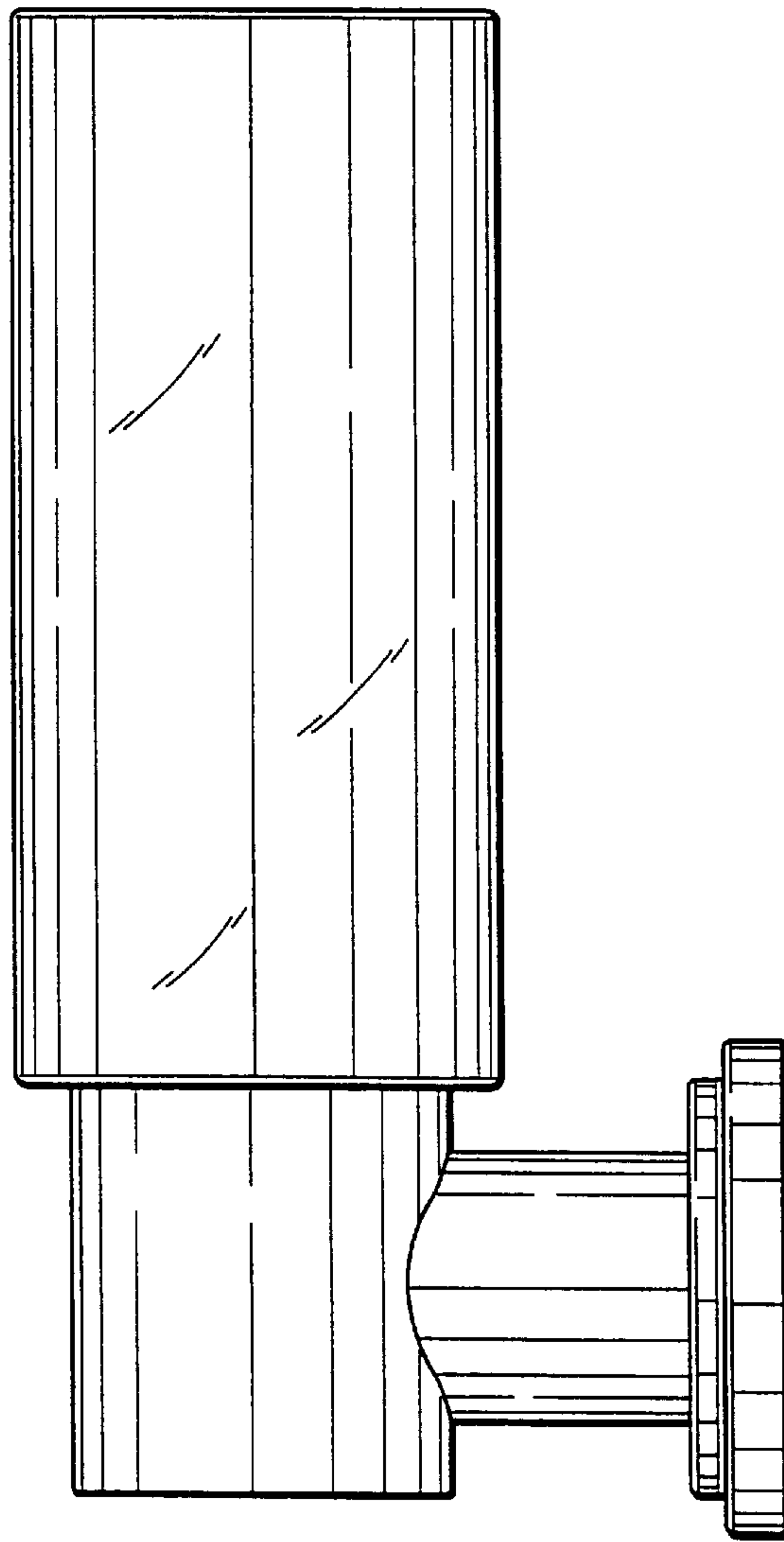


FIG. 3

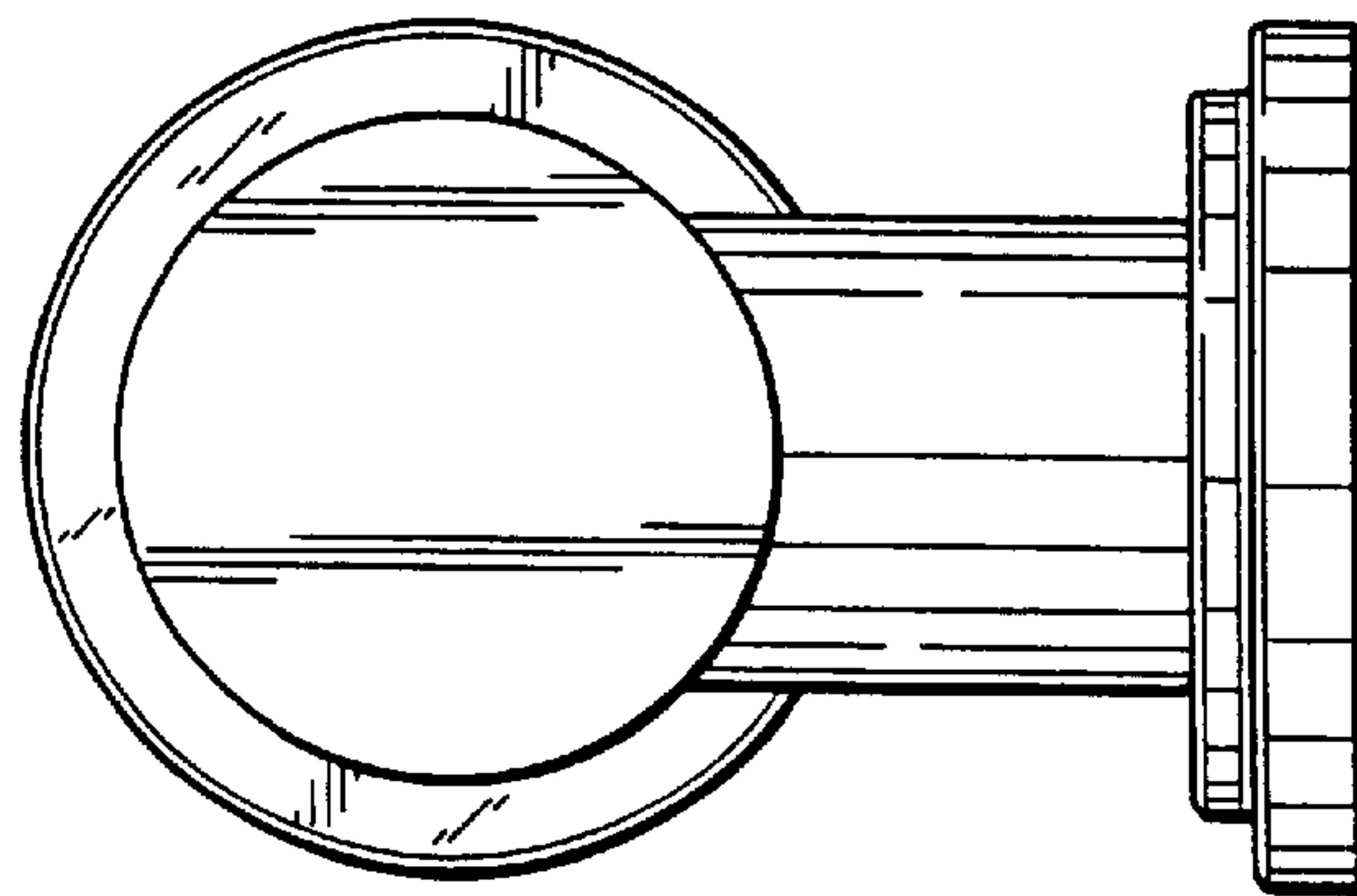


FIG. 4

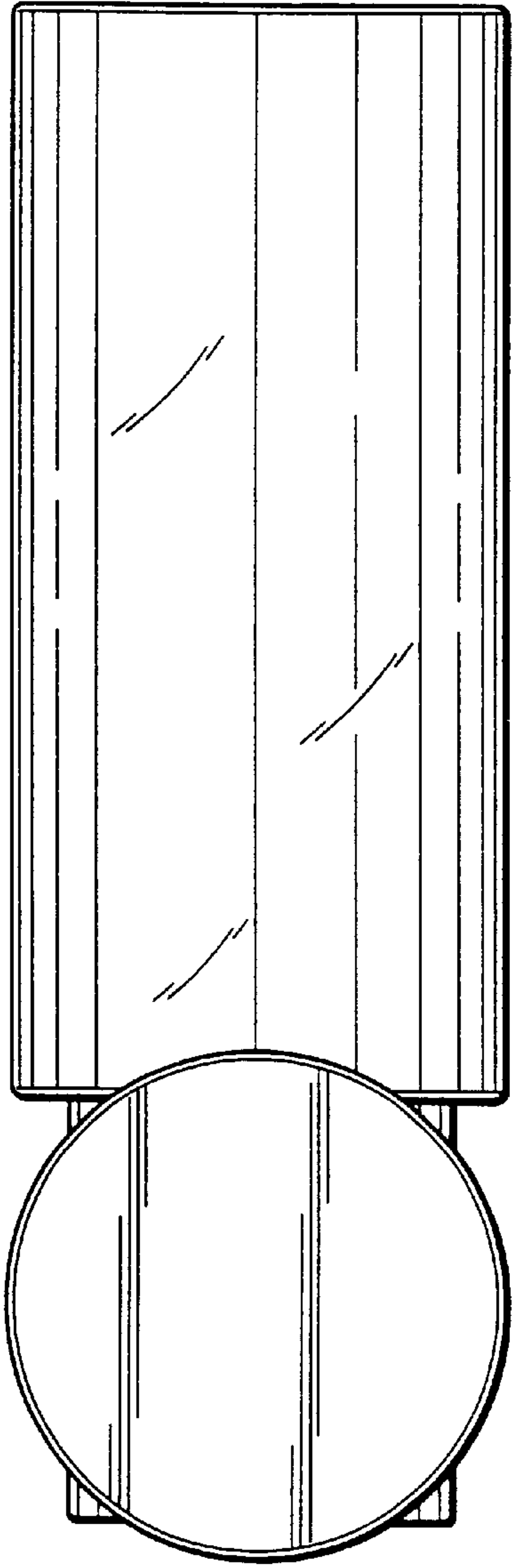


FIG. 5

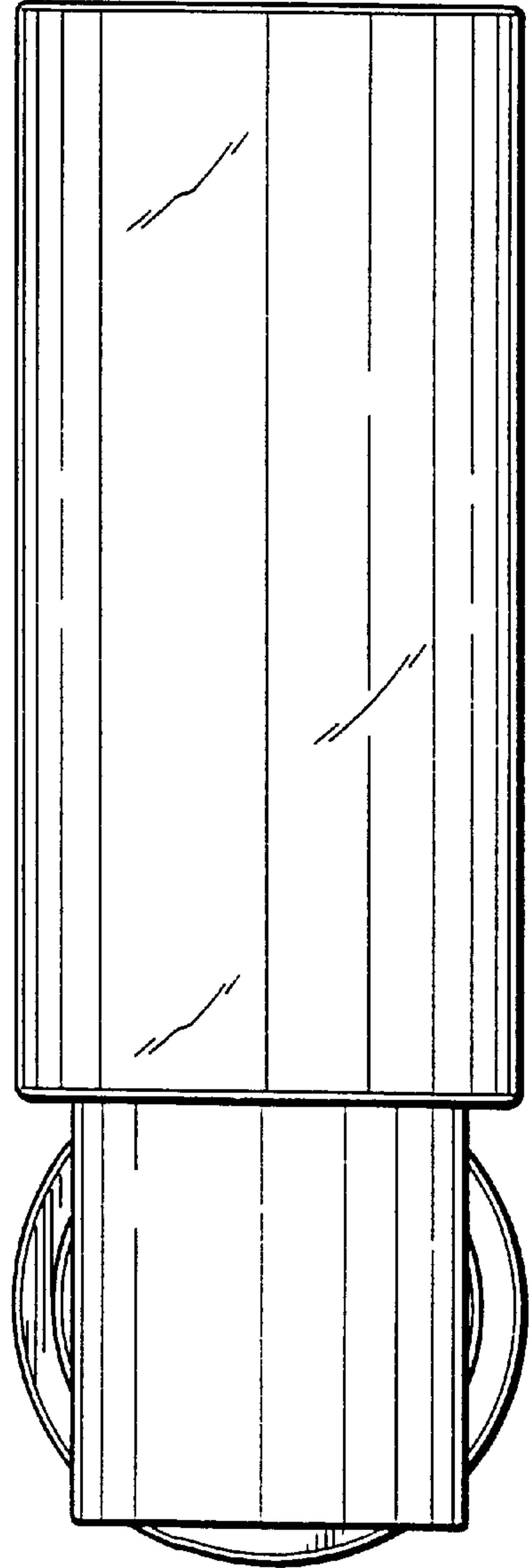


FIG. 6