



US00D465297S

(12) **United States Design Patent**  
**Thomas**

(10) **Patent No.:** **US D465,297 S**

(45) **Date of Patent:** **\*\* Nov. 5, 2002**

(54) **LUMINAIRE WITH A CANDELABRA BASE SOCKET ASSEMBLY**

(75) **Inventor:** **Jack D. Thomas**, Goshen, KY (US)

(73) **Assignee:** **Genlyte Thomas Group LLC**,  
Louisville, KY (US)

(\*\*) **Term:** **14 Years**

(21) **Appl. No.:** **29/155,677**

(22) **Filed:** **Feb. 14, 2002**

(51) **LOC (7) Cl.** ..... **26-03**

(52) **U.S. Cl.** ..... **D26/83; D26/89; D26/91**

(58) **Field of Search** ..... **D26/72, 80, 83-92,**  
**D26/67-71; 362/404-408, 147, 310, 326,**  
**341, 346-353, 362, 363**

(56) **References Cited**

**U.S. PATENT DOCUMENTS**

585,250	A	6/1897	Bennett, Jr.	
734,875	A	7/1903	Hubbell	
835,282	A	11/1906	Hubbell	
1,030,007	A	6/1912	Miller	
1,083,895	A	1/1914	Hoover et al.	
1,127,527	A	2/1915	Schoen	
1,281,999	A	10/1918	Peterson	
1,305,151	A	5/1919	Newton	
1,682,947	A	9/1928	Wire	
1,930,927	A	10/1933	Doane	
1,995,700	A	3/1935	Butler	
2,863,040	A	12/1958	Marriett	
2,892,929	A	6/1959	Leichtung	
D251,871	S	* 5/1979	Horn	D26/91
5,006,971	A	4/1991	Jenkins	
D359,376	S	* 6/1995	Tsuji	D26/91
D376,008	S	* 11/1996	Chan	D23/377

**OTHER PUBLICATIONS**

Sea Gull Lighting Products, Inc. 2001 Catalog , p. 176, items 7661-02, 7662-02 and 7663-02.\*

Thomas Lighting 1996 Catalog, p. 134, items SL 8469-1,SL 8468-1 SL 8468-12 and 8469-12.\*

Thomas Lighting 2000-2001 catalog, p. 144.

Thomas Lighting 1998 catalog, p. 148.

\* cited by examiner

*Primary Examiner*—Alan P. Douglas

*Assistant Examiner*—Clare E. Heflin

(74) *Attorney, Agent, or Firm*—Jeffrey A. Haeberlin;  
Middleton Reutlinger

(57) **CLAIM**

The ornamental design for a luminaire with a candelabra base socket assembly, as shown and described.

**DESCRIPTION**

FIG. 1 is a front elevational view of a luminaire with a candelabra base socket assembly showing my design;

FIG. 2 is a bottom plan view thereof;

FIG. 3 is a perspective view thereof;

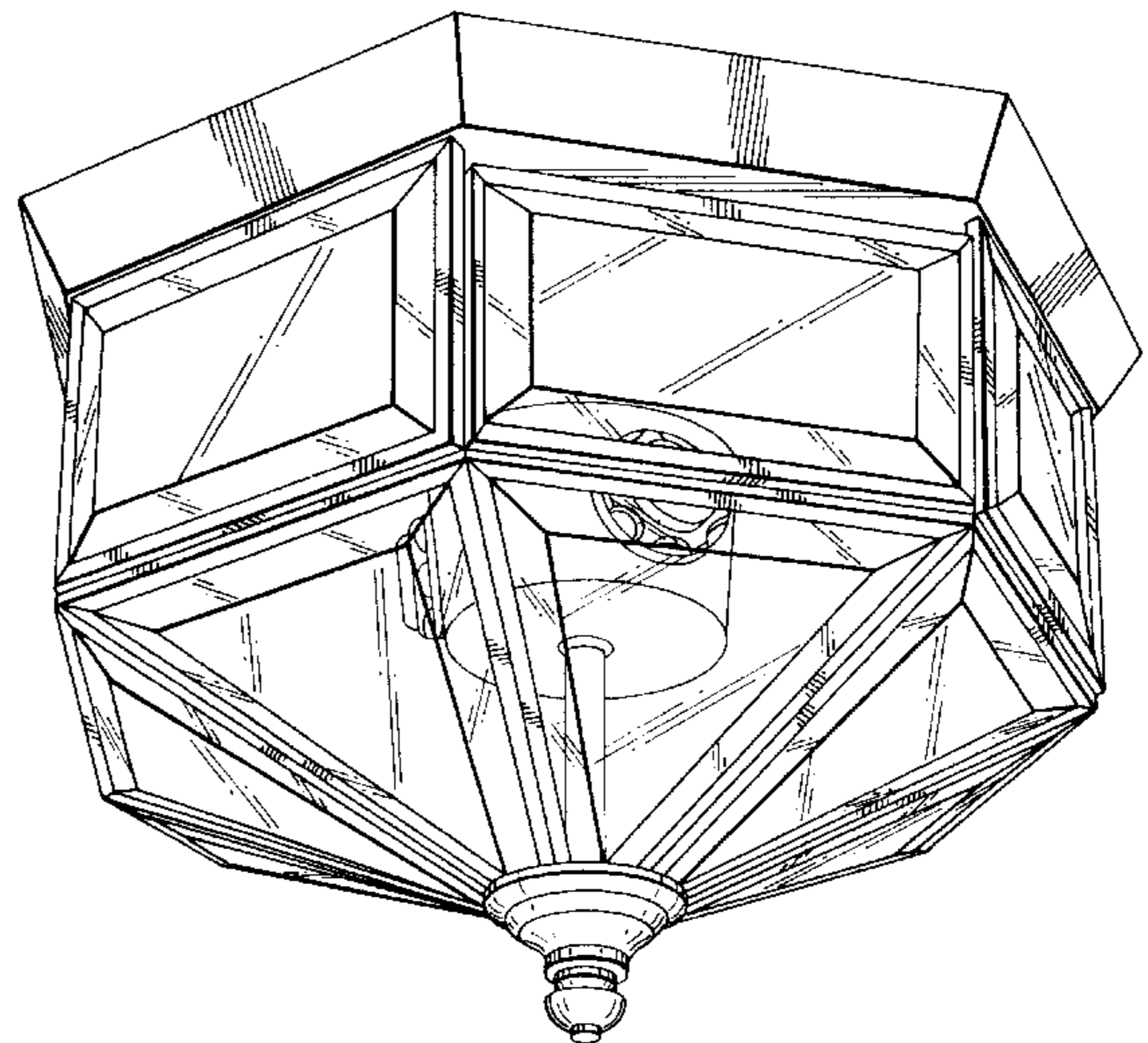
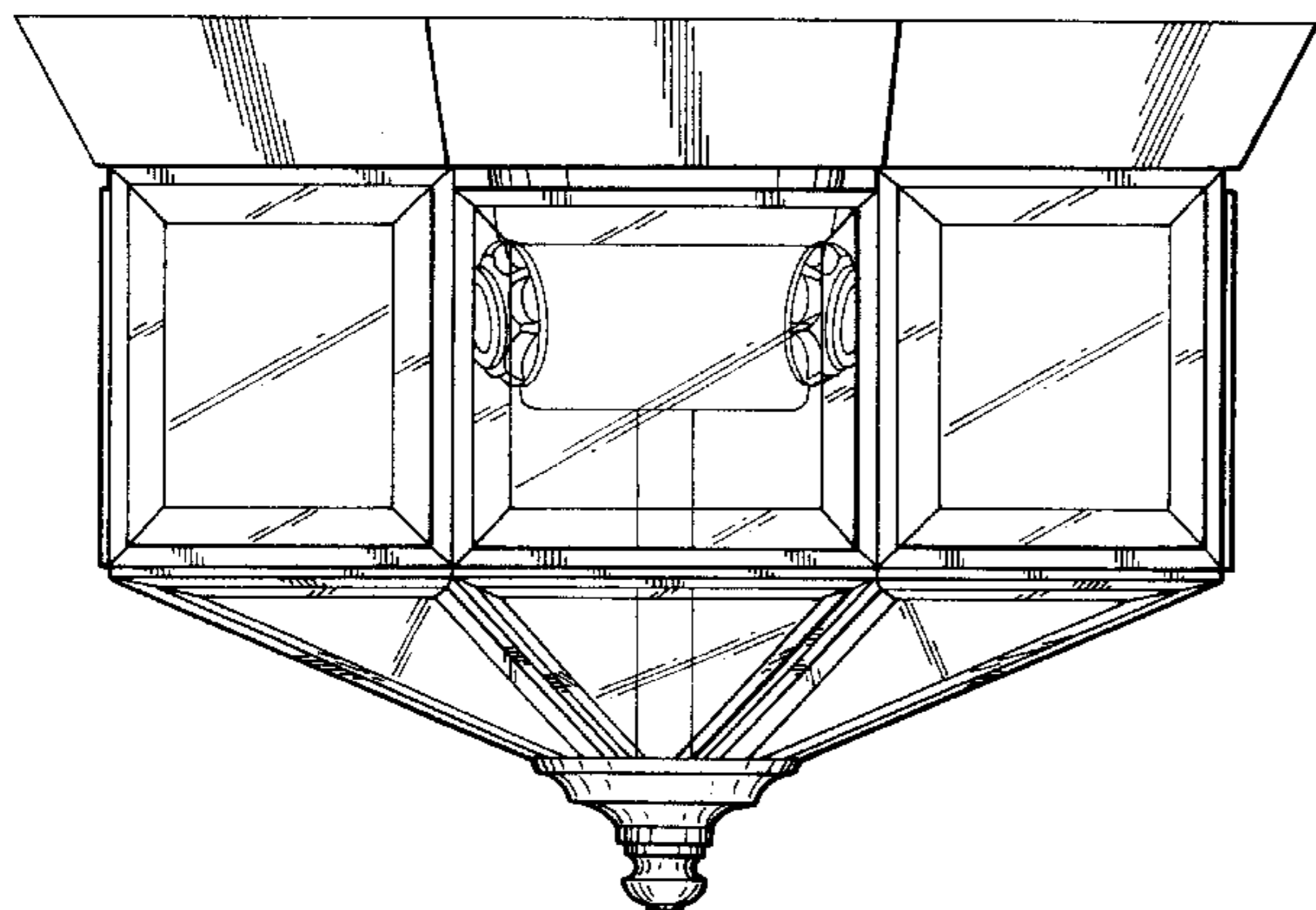
FIG. 4 is a front elevational view of a second embodiment of a luminaire with a candelabra base socket assembly showing my design;

FIG. 5 is a bottom plan of the embodiment thereof; and,

FIG. 6 is a perspective view view of the embodiment of thereof.

The top of the luminaire with a candelabra base socket assembly is unornamented and not visible in normal use, since it is mounted against a ceiling, overhang, or other structural member. Therefore, the top of the luminaire with a candelabra base socket assembly forms no part of the claimed design, and the top plan view has been omitted.

**1 Claim, 6 Drawing Sheets**



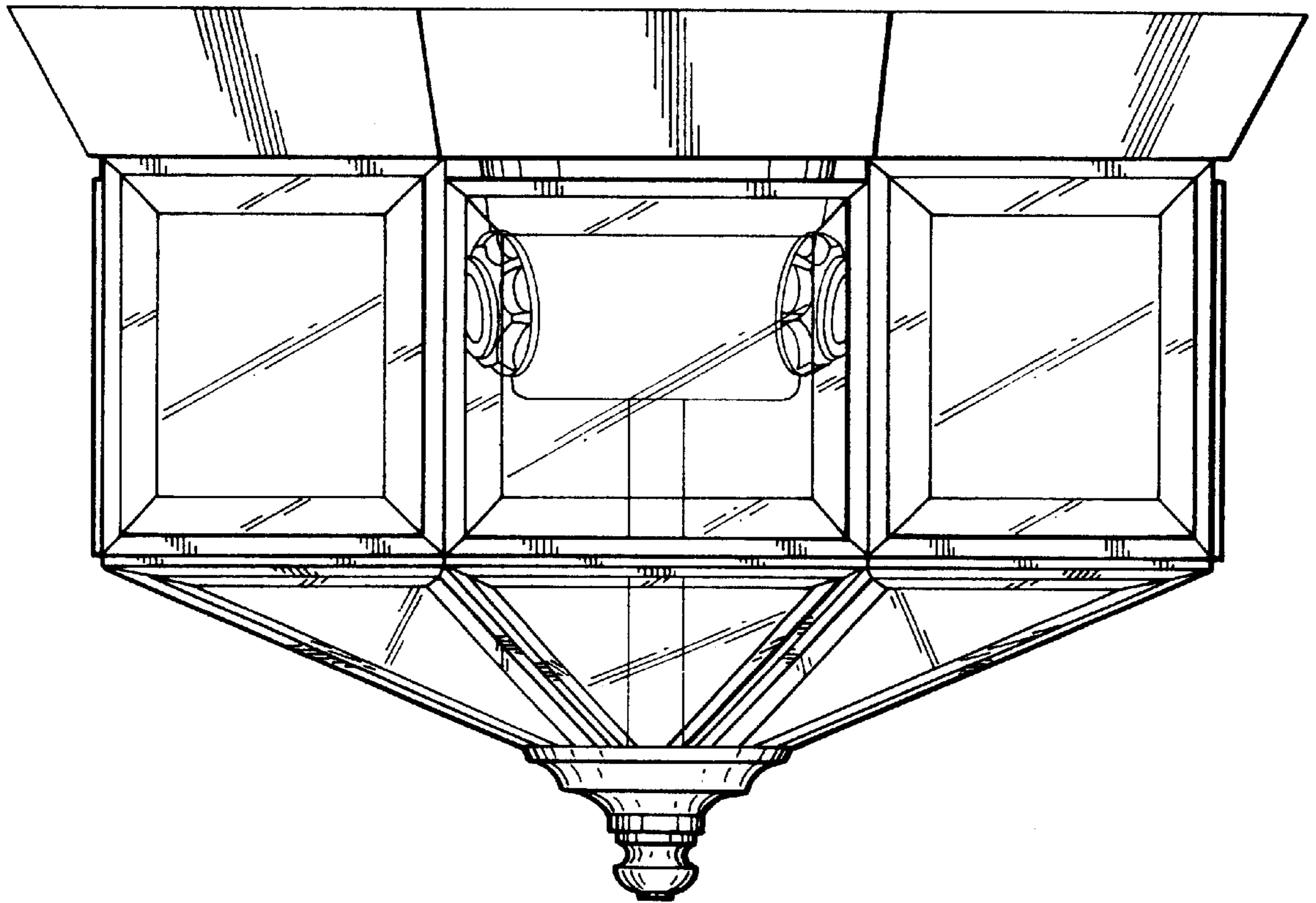


FIG. 1



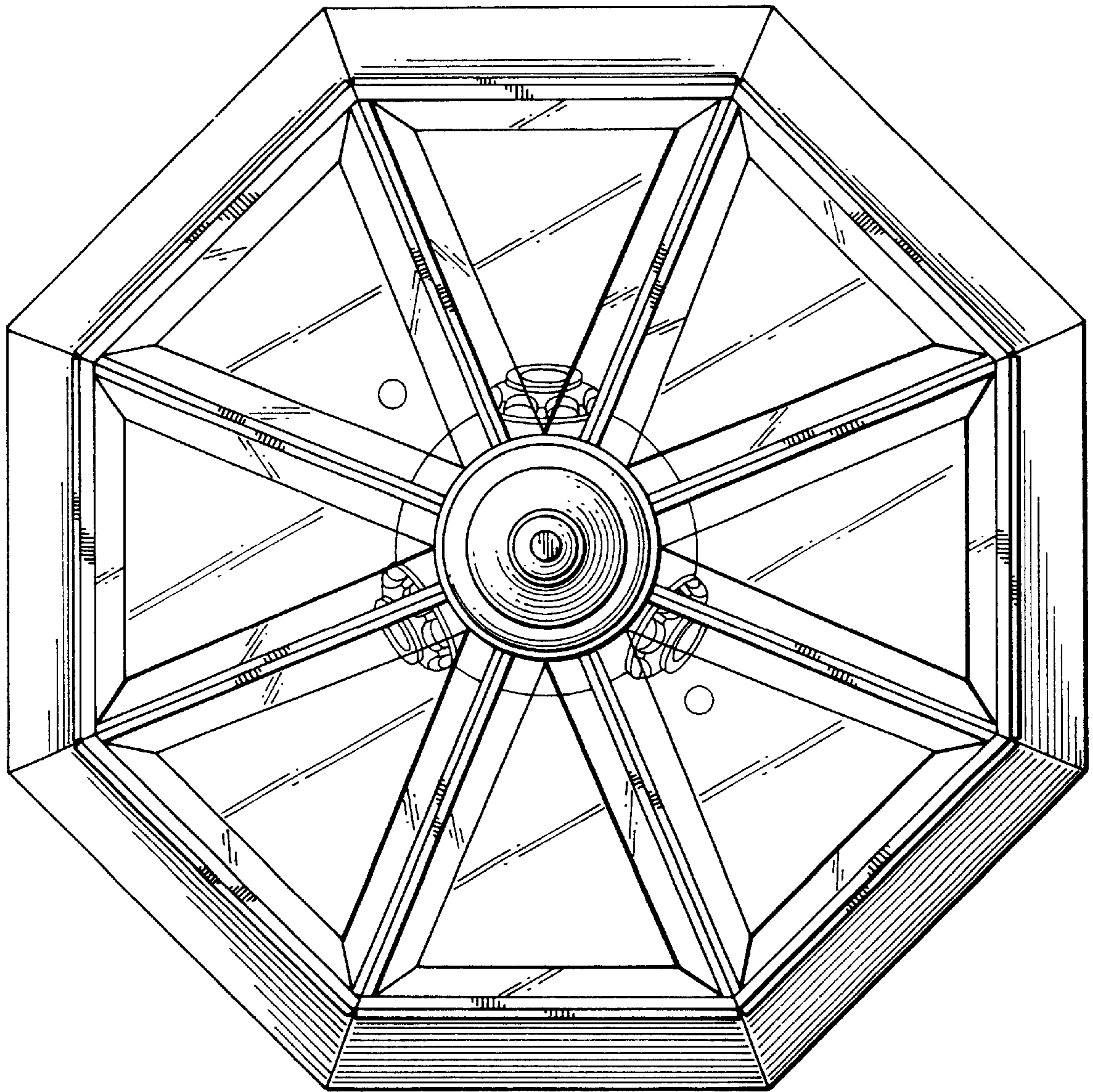


FIG. 2

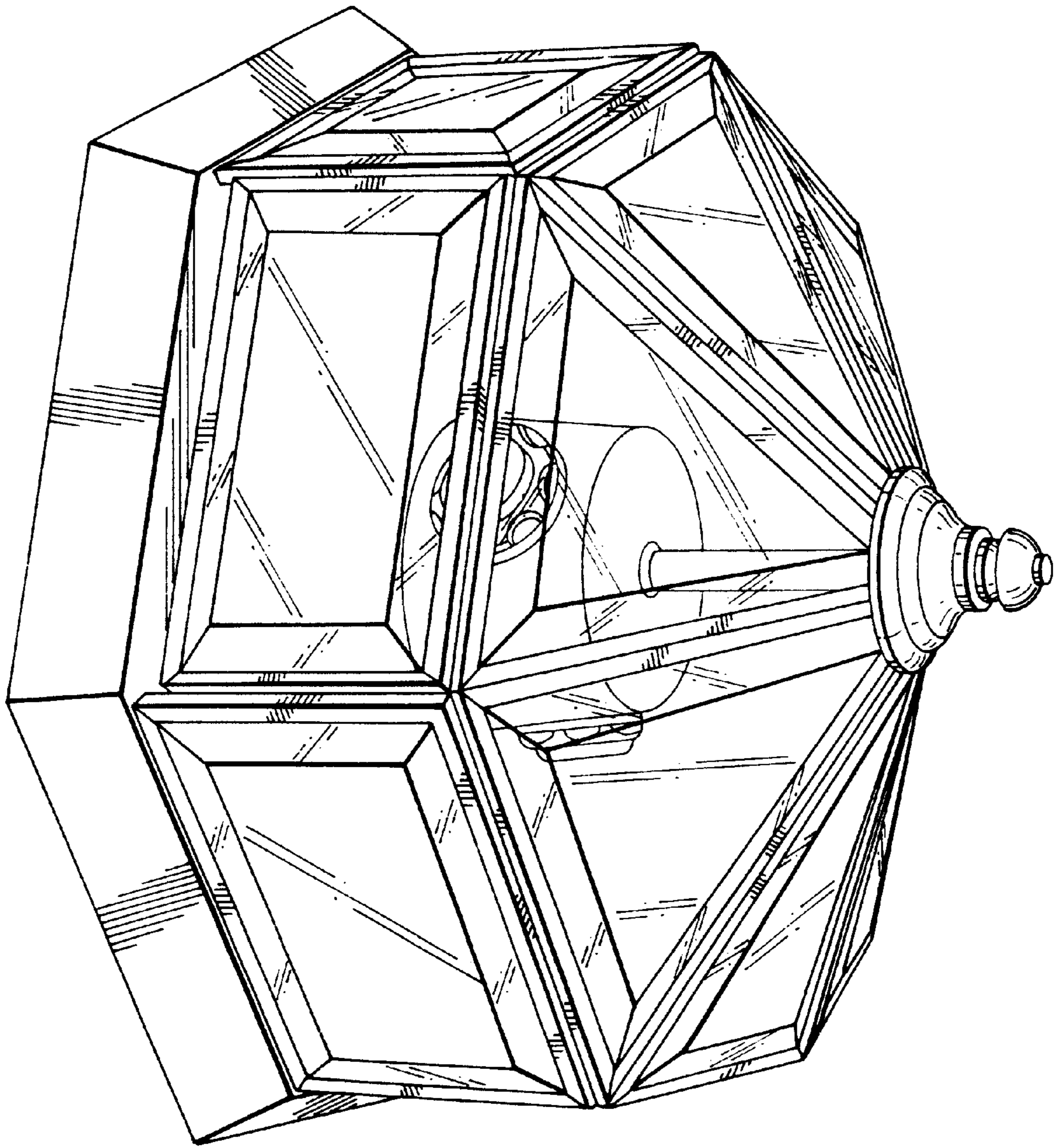


FIG. 3

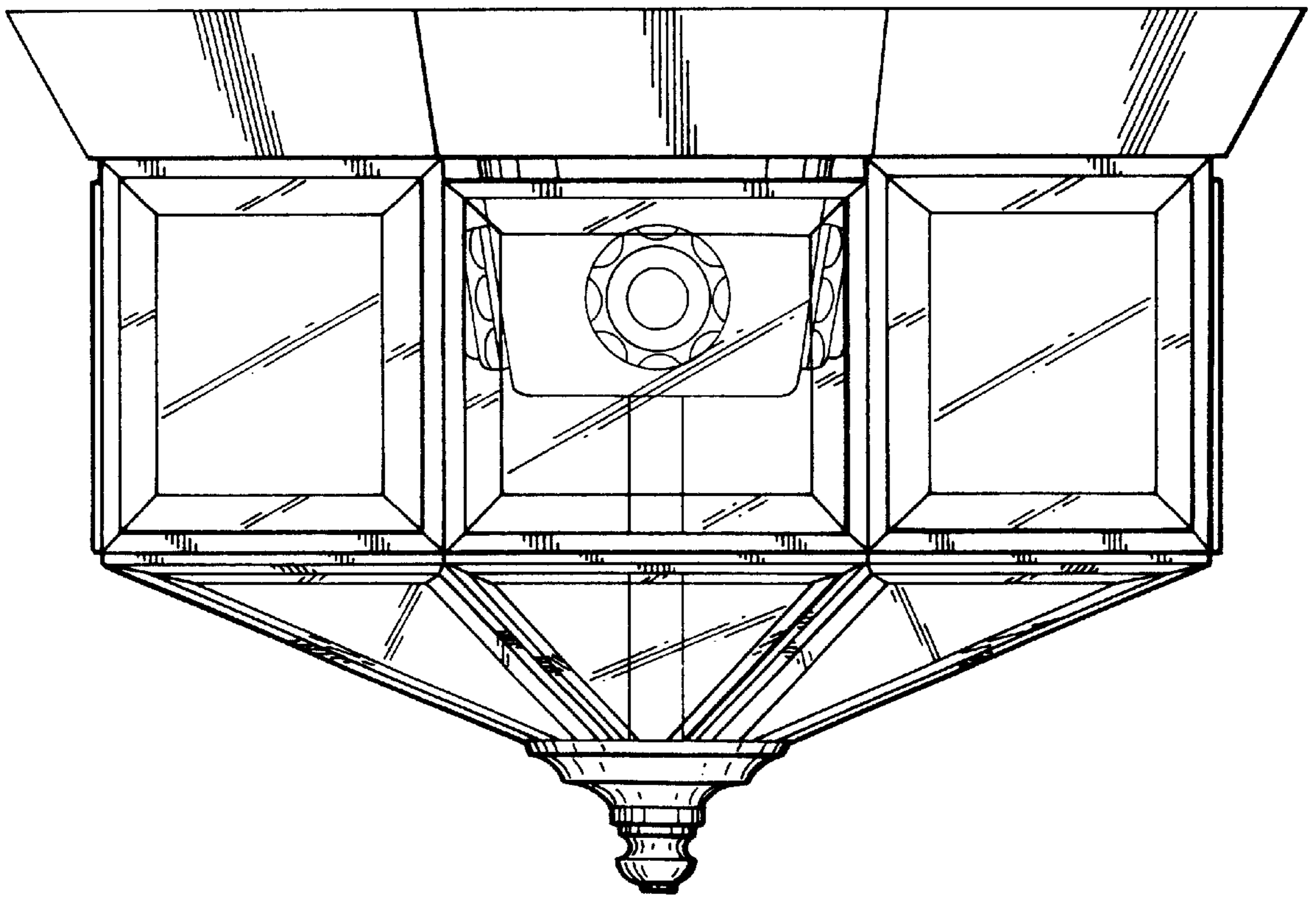


FIG. 4



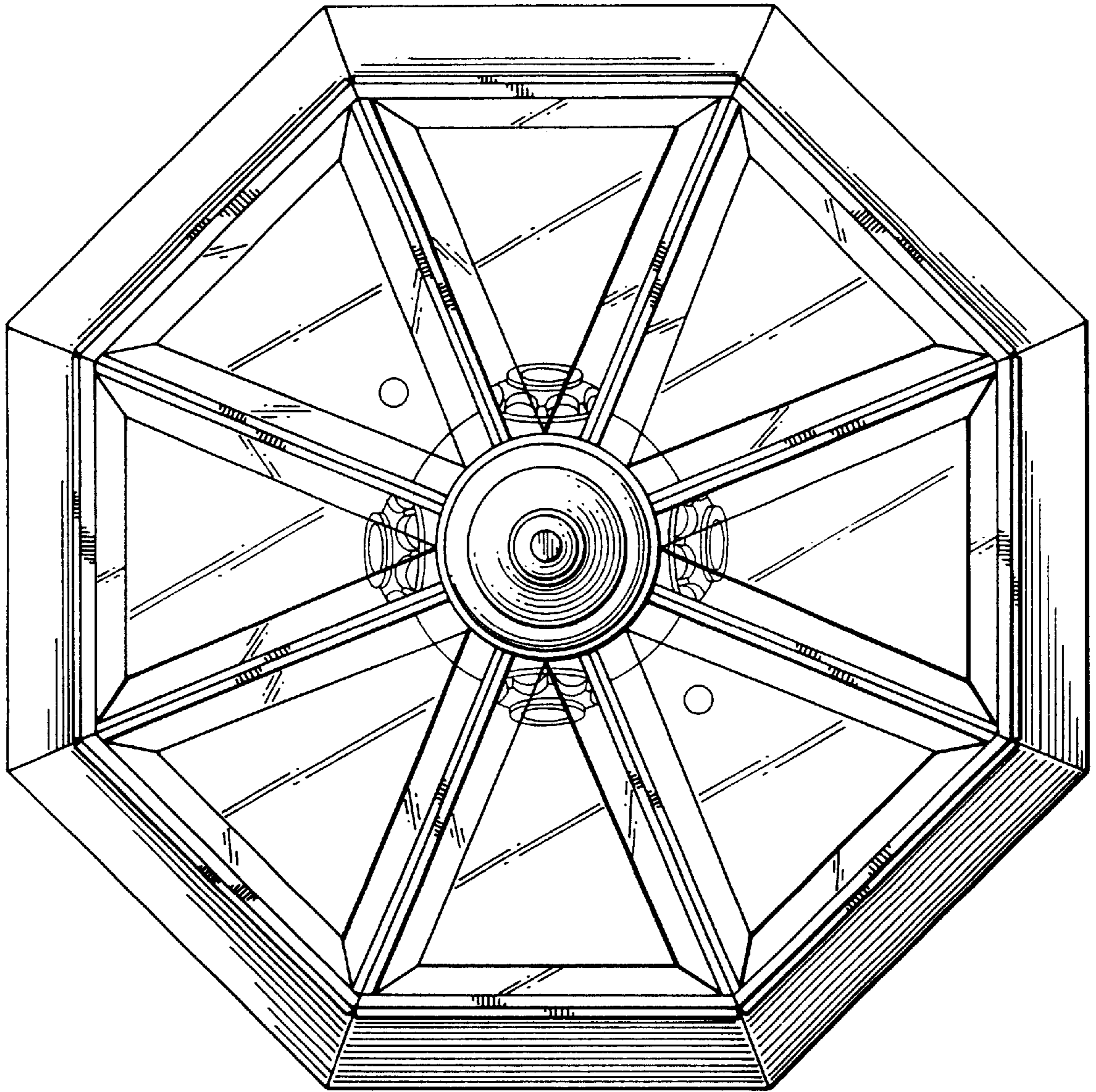


FIG. 5

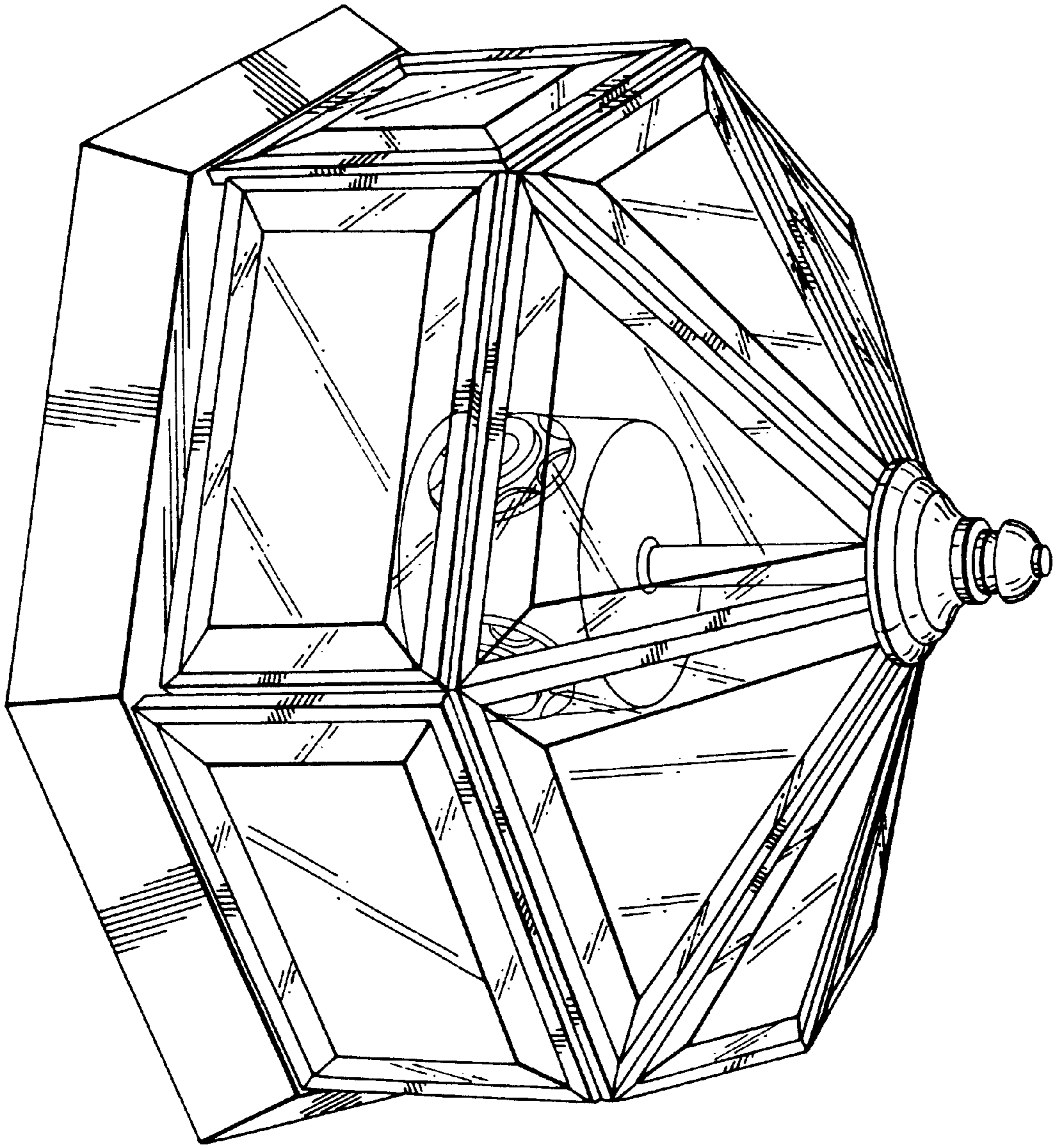


FIG. 6