



US00D465295S

(12) **United States Design Patent**
Yang

(10) **Patent No.:** **US D465,295 S**

(45) **Date of Patent:** **** Nov. 5, 2002**

(54) **VEHICULAR TAIL-LIGHT**

(76) **Inventor:** **Milton Yang**, 427 Sec. 2, Wenhua Road, Panchiao, Taipei (TW)

(**) **Term:** **14 Years**

(21) **Appl. No.:** **29/152,563**

(22) **Filed:** **Dec. 20, 2001**

(51) **LOC (7) Cl.** **26-04**

(52) **U.S. Cl.** **D26/28**

(58) **Field of Search** D26/28-36; 362/61, 362/80, 83.4, 267, 269, 275

(56) **References Cited**

U.S. PATENT DOCUMENTS

- D427,342 S * 6/2000 Hunter et al. D26/28
- D448,098 S * 9/2001 Horowitz D26/28

* cited by examiner

Primary Examiner—Marcus A. Jackson

(74) *Attorney, Agent, or Firm*—Stetina Brunda Garred & Brucker

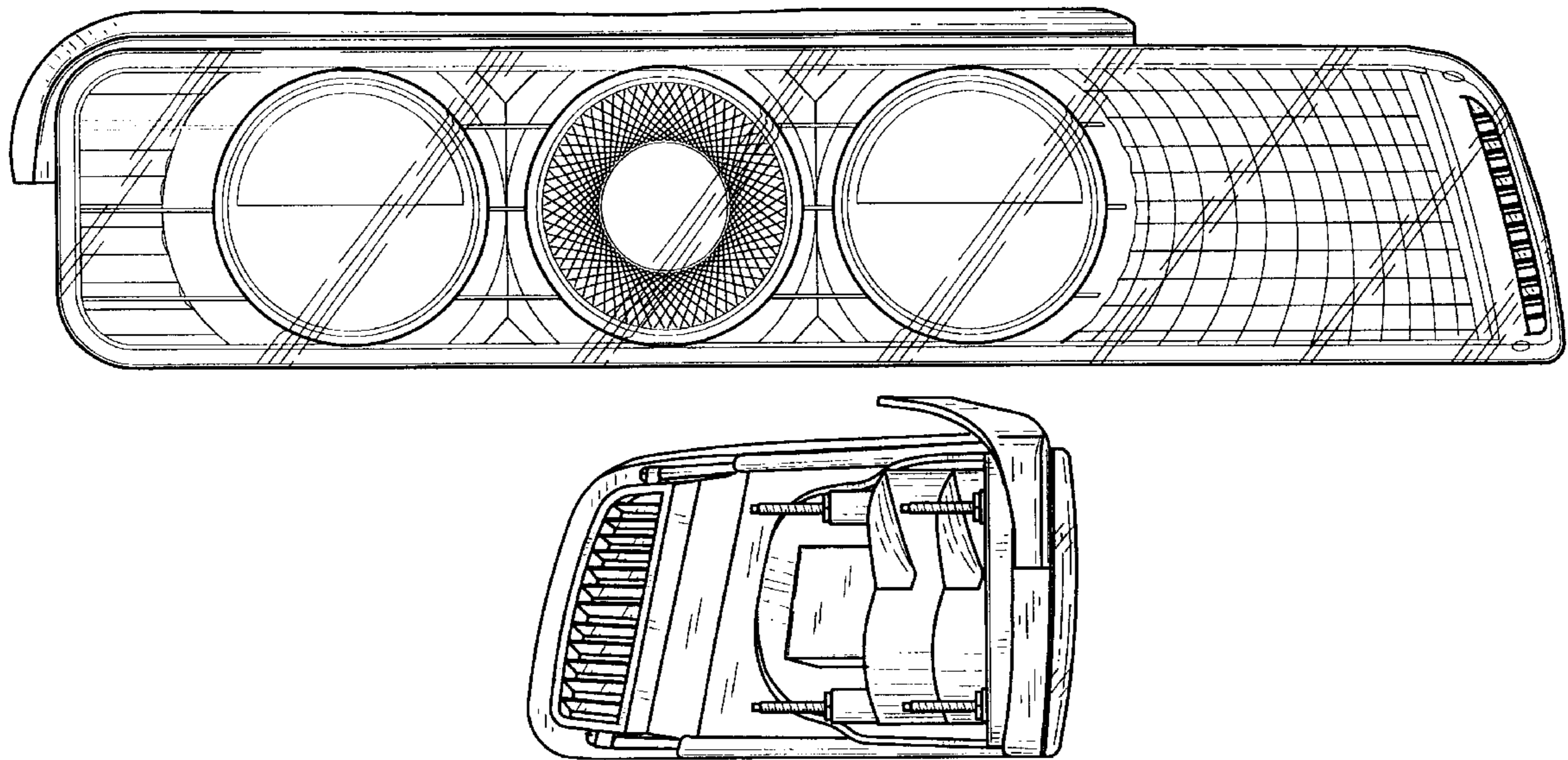
(57) **CLAIM**

The ornamental design for a vehicular tail-light, as shown and described.

DESCRIPTION

FIG. 1 is a front elevational view of vehicular tail light of the present invention showing my new design;
FIG. 2 is a left side elevational view thereof;
FIG. 3 is a right side elevational view thereof;
FIG. 4 is a top plan view thereof; and,
FIG. 5 is a bottom plan view thereof.

1 Claim, 2 Drawing Sheets



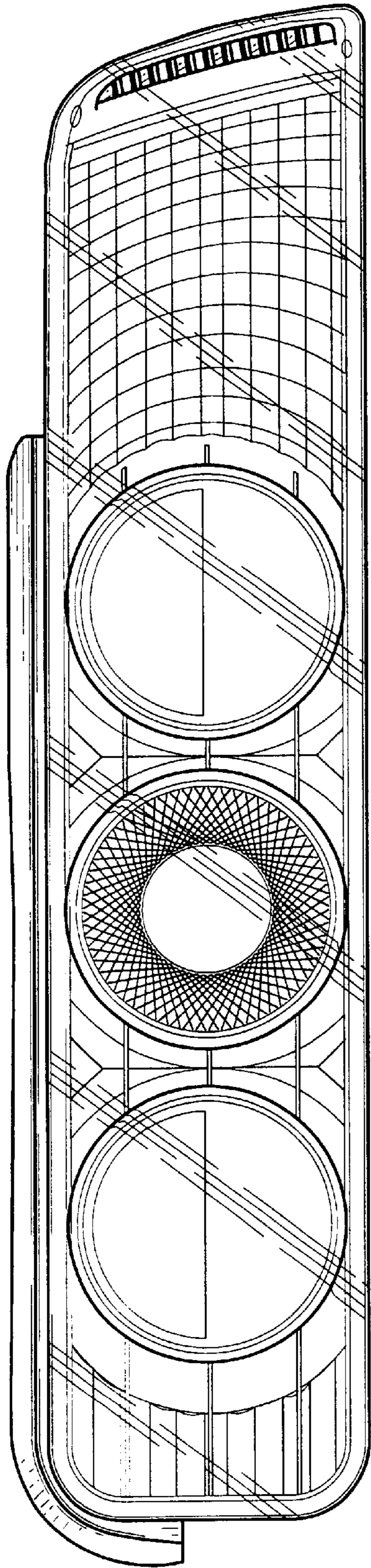


Fig. 1

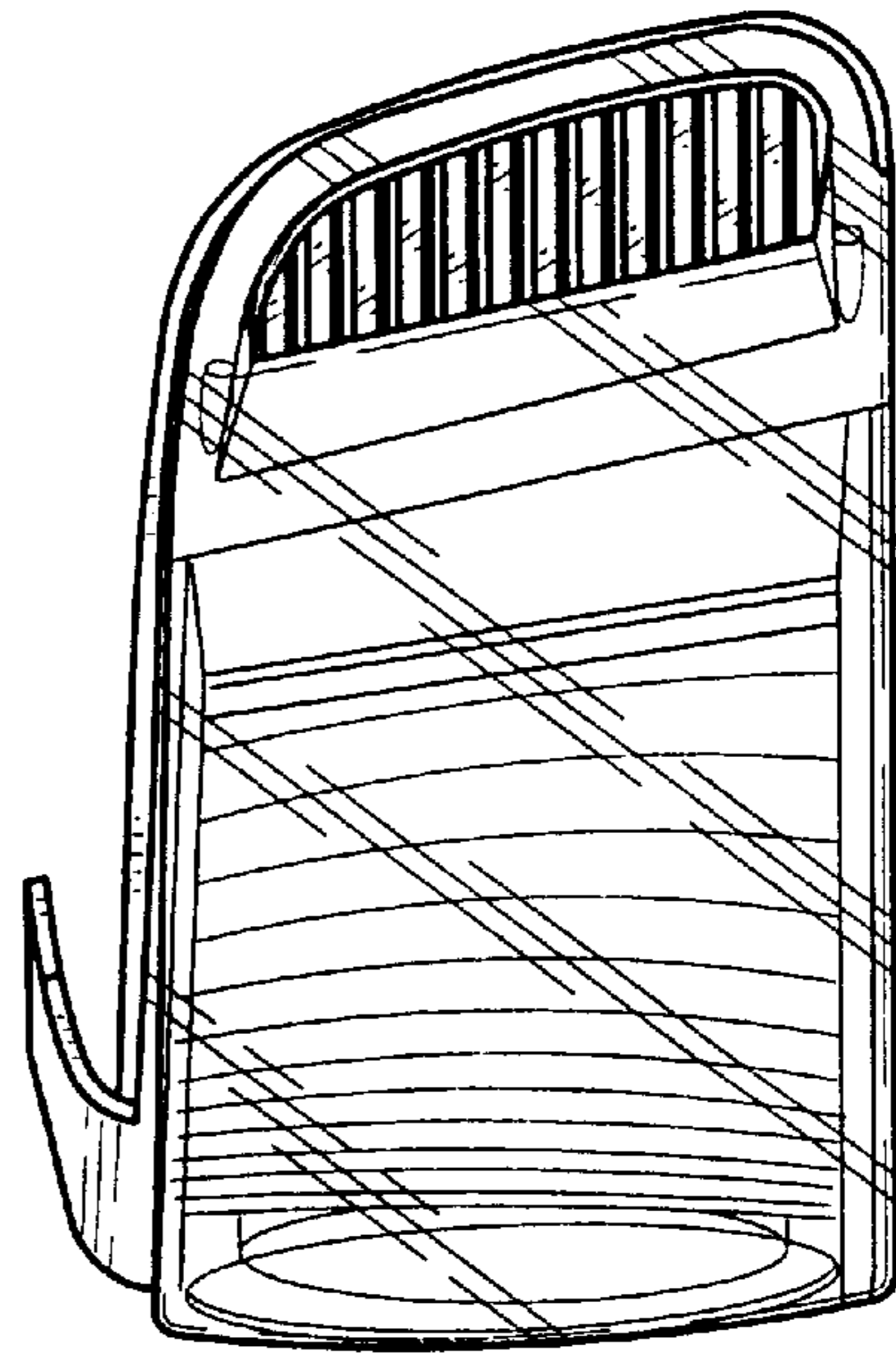


Fig. 3

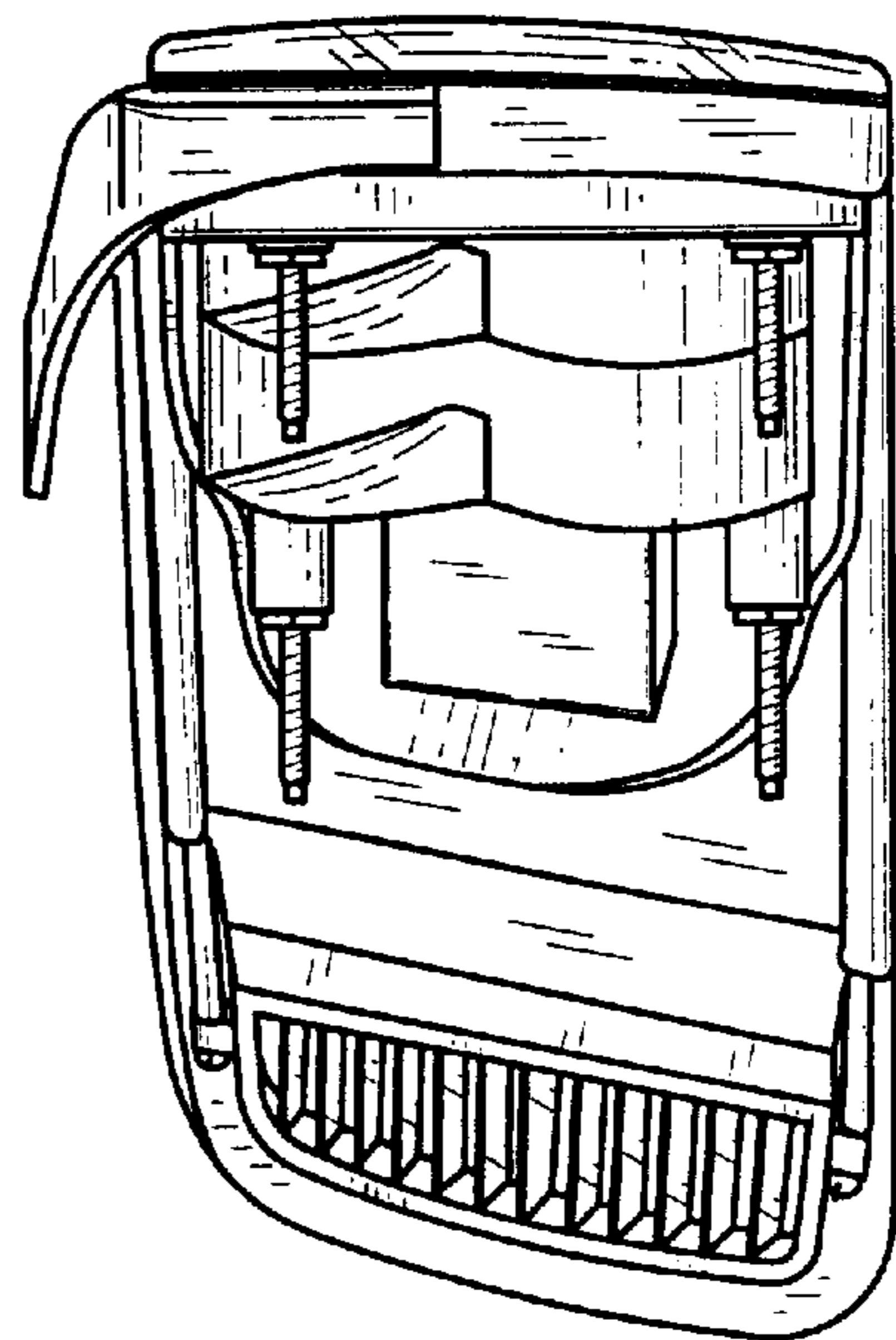


Fig. 2

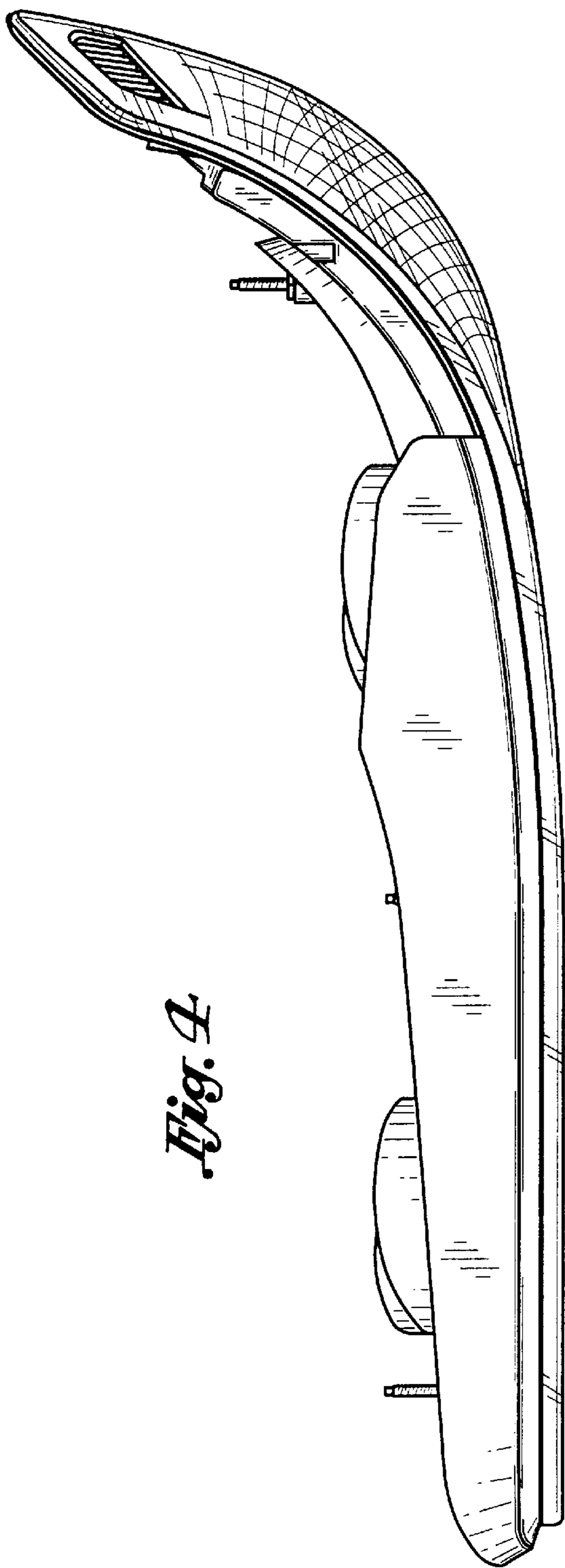


Fig. 4

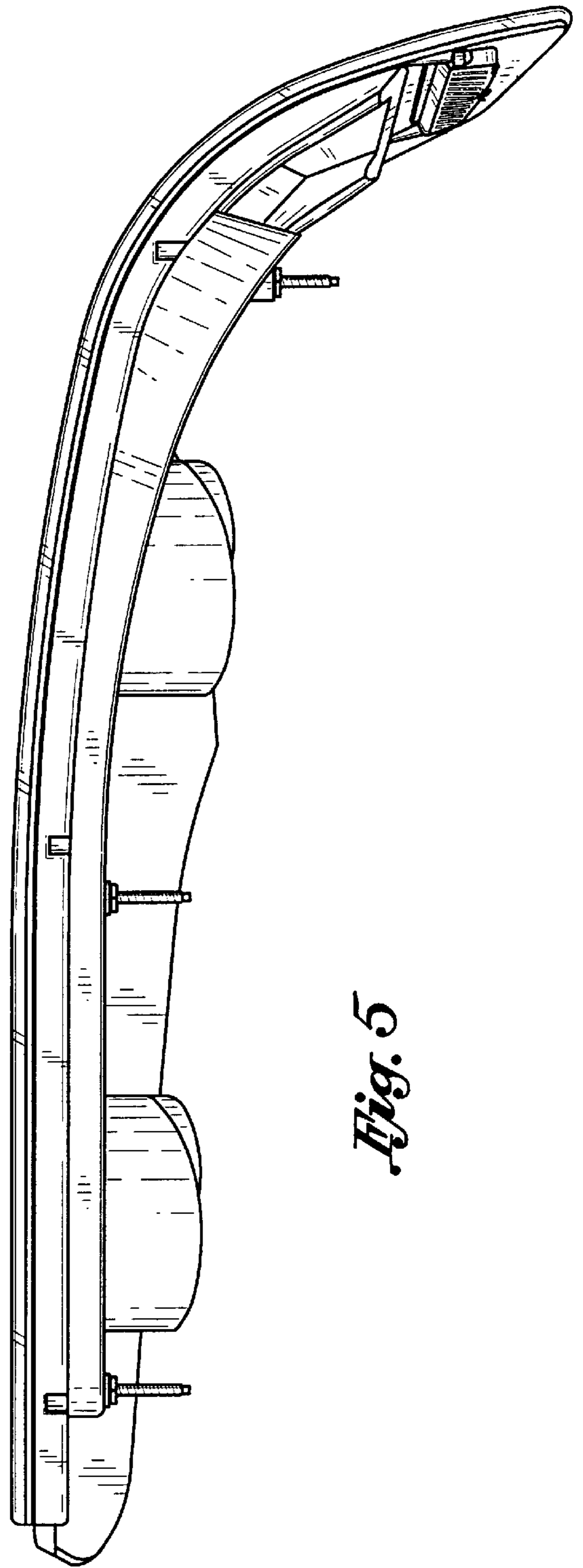


Fig. 5