



US00D465293S

(12) **United States Design Patent**
Guthrie

(10) **Patent No.:** **US D465,293 S**

(45) **Date of Patent:** **** Nov. 5, 2002**

(54) **LIGHT BODY**

(75) Inventor: **Ian Guthrie**, Victoria (AU)

(73) Assignee: **Spa Electrics Pty. Ltd.**, Victoria (AU)

(**) Term: **14 Years**

(21) Appl. No.: **29/138,649**

(22) Filed: **Mar. 15, 2001**

(30) **Foreign Application Priority Data**

Sep. 15, 2000 (AU) 2996/00

(51) **LOC (7) Cl.** **26-04**

(52) **U.S. Cl.** **D26/28**

(58) **Field of Search** D26/28-36; 362/61,
362/74, 80, 81, 82, 83

(56) **References Cited**

U.S. PATENT DOCUMENTS

D354,362 S * 1/1995 Tsai D26/28

D357,756 S * 4/1995 Tsai D26/28

D424,724 S * 5/2000 Hussaini et al. D26/28

D446,590 S * 8/2001 Oh D26/28

* cited by examiner

Primary Examiner—Marcus A. Jackson

(74) *Attorney, Agent, or Firm*—Christie, Parker & Hale, LLP

(57) **CLAIM**

The ornamental design for light body, as shown and described.

DESCRIPTION

FIG. 1 is a left perspective view of the light body, with the broken line showing for illustrative purposes only and forming no part of the claimed design;

FIG. 2 is a right perspective view thereof;

FIG. 3 is a front elevation view thereof;

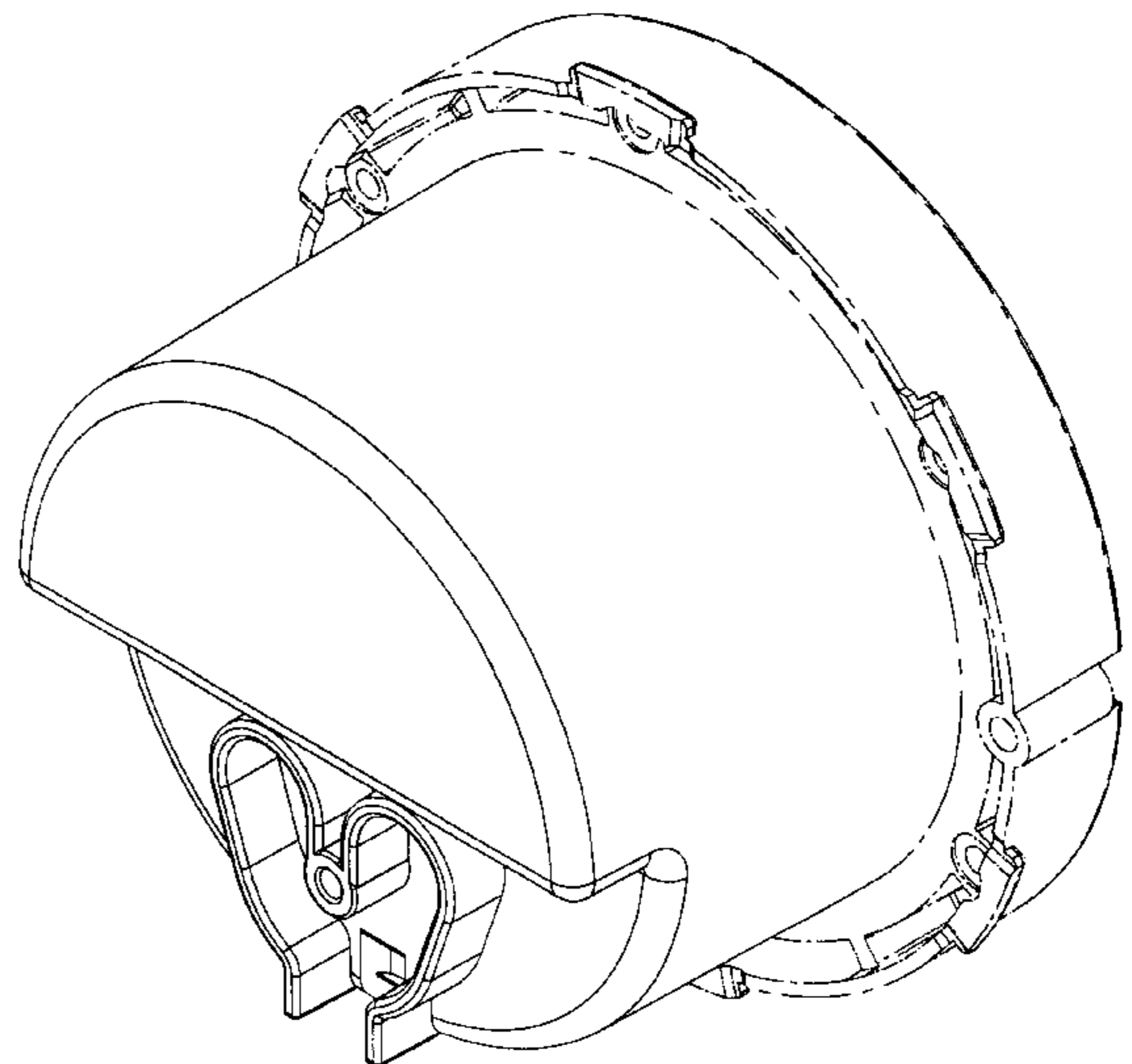
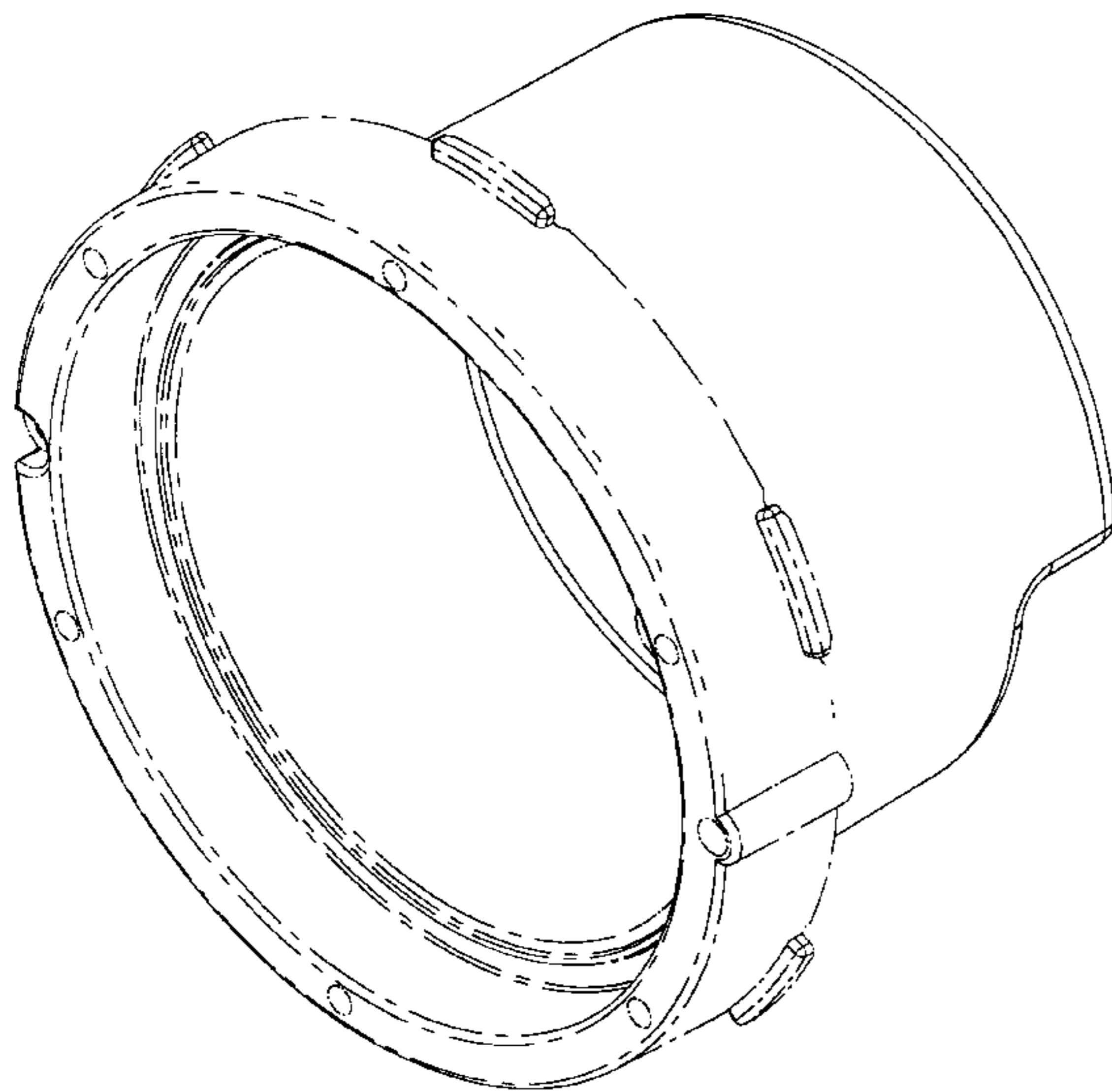
FIG. 4 is a rear elevation view thereof;

FIG. 5 is a side elevation view thereof;

FIG. 6 is a bottom elevation view thereof; and,

FIG. 7 is a top elevation view thereof.

1 Claim, 3 Drawing Sheets



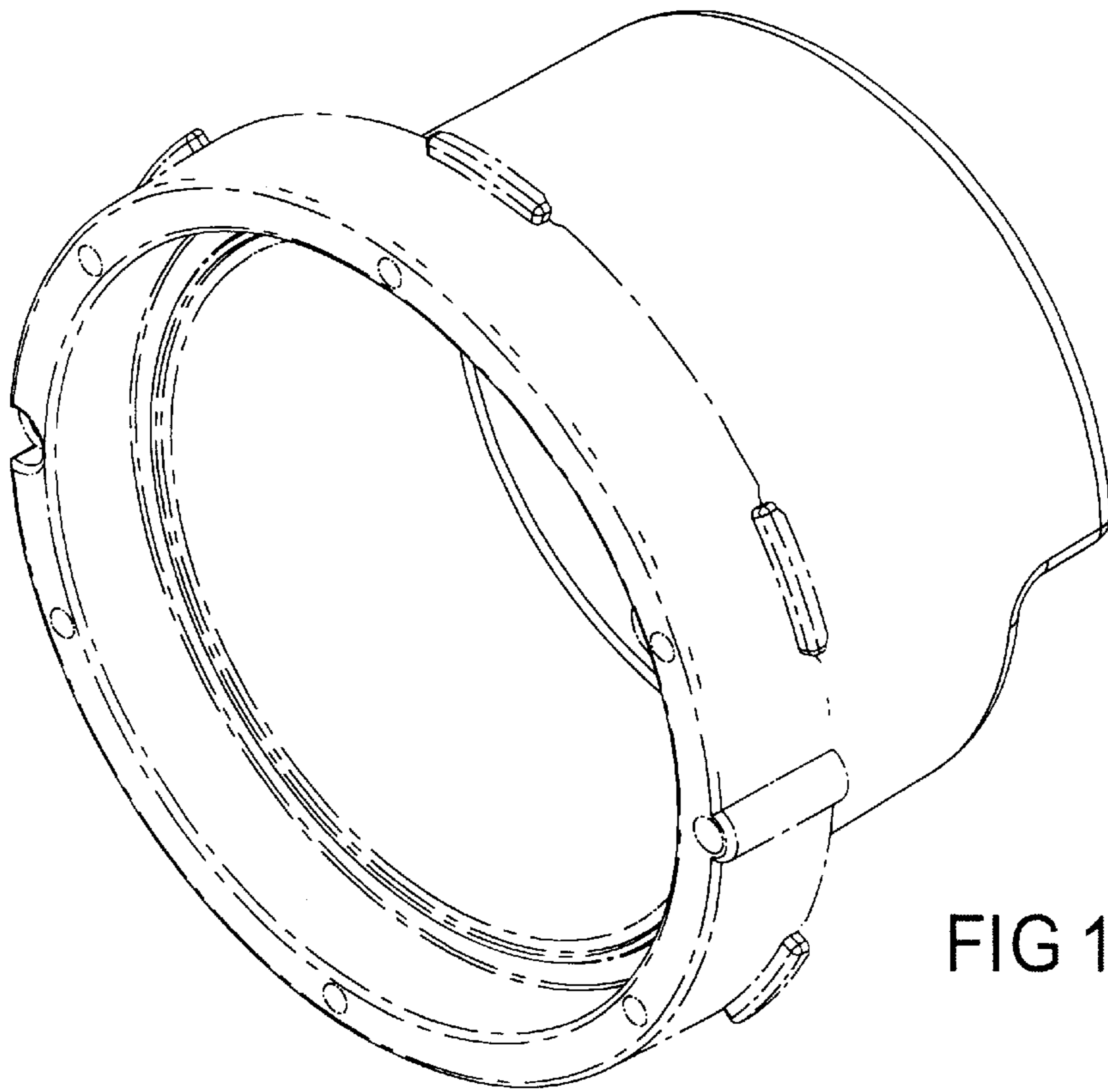


FIG 1

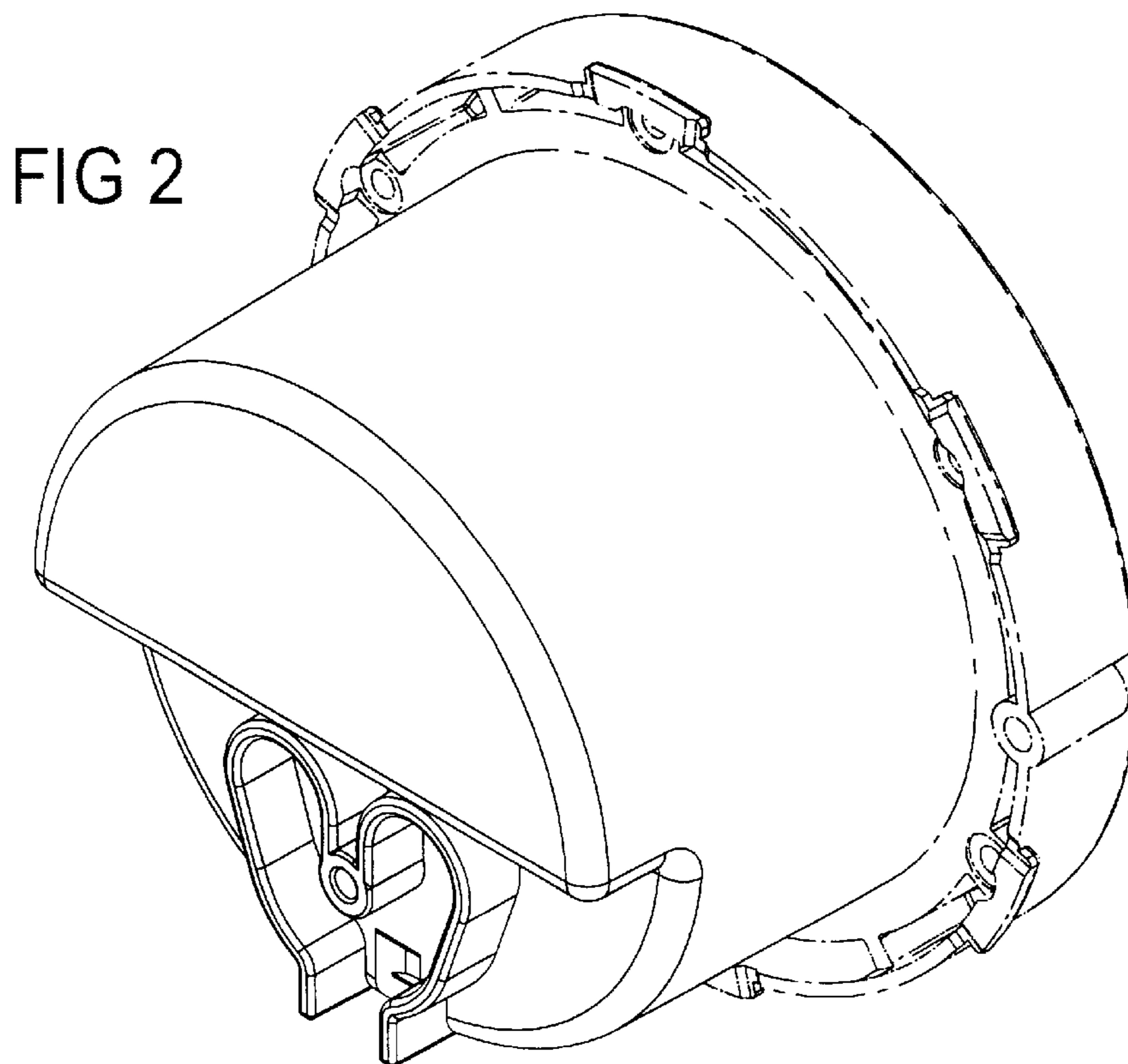


FIG 2

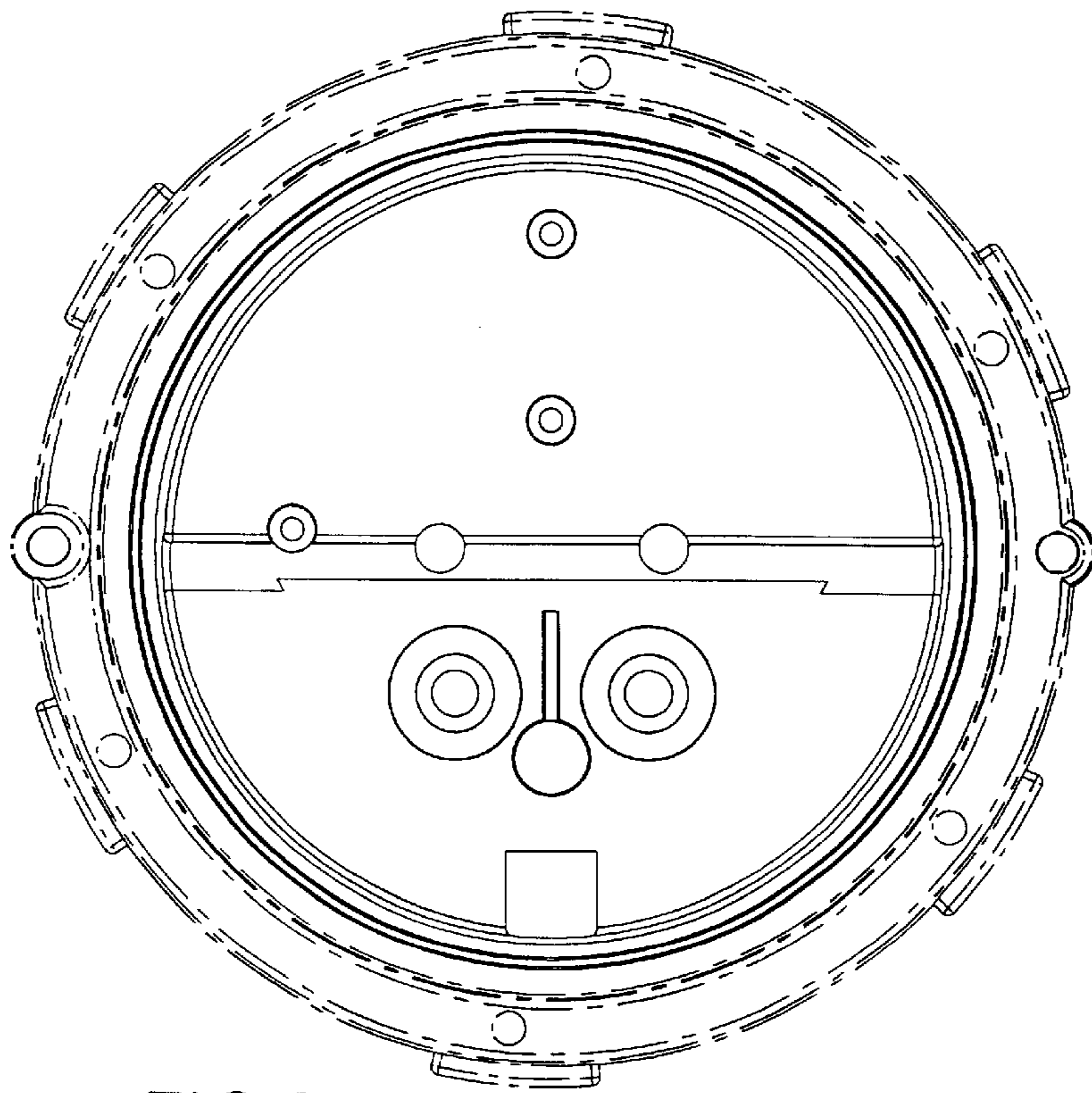


FIG 3

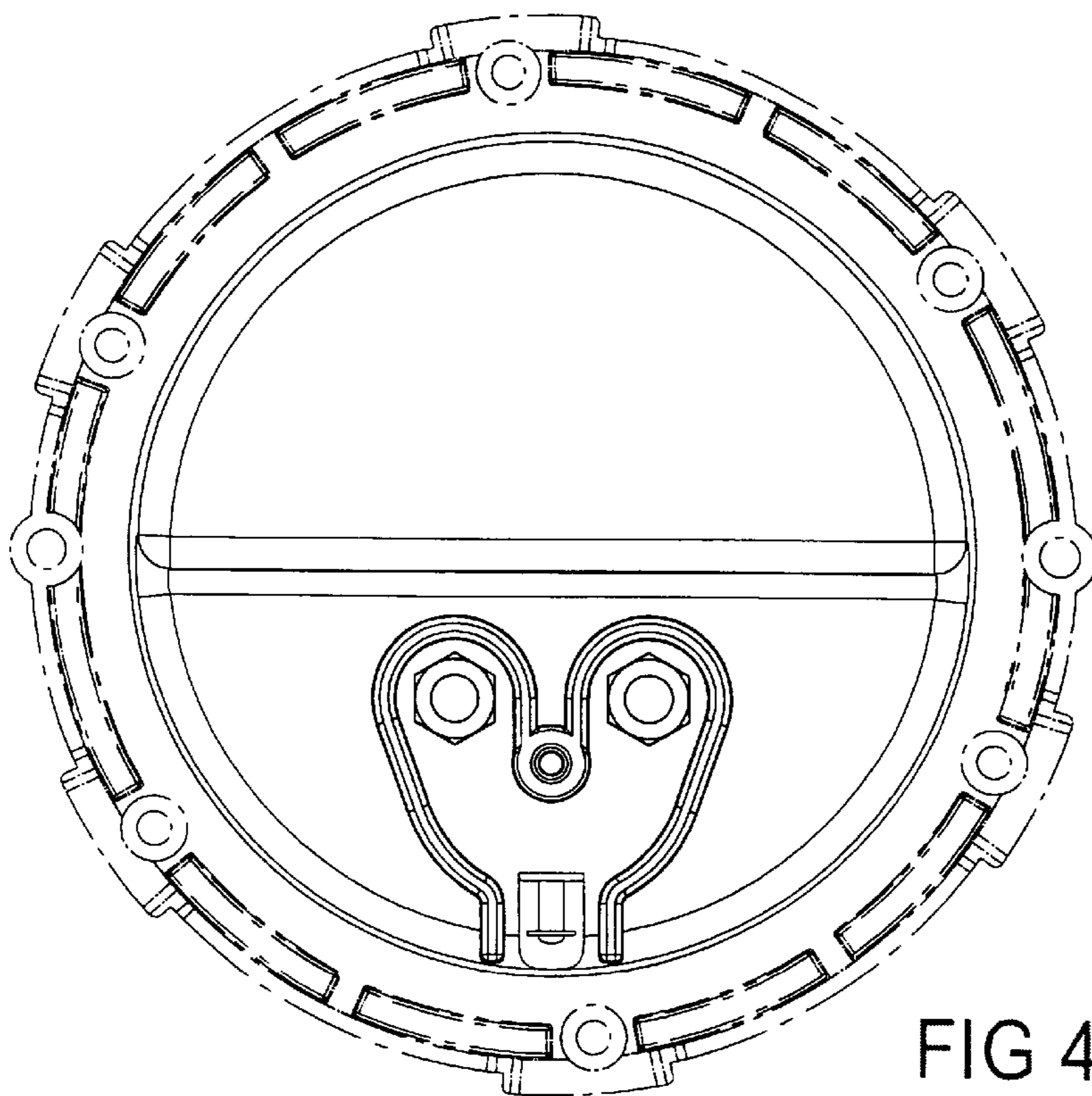


FIG 4

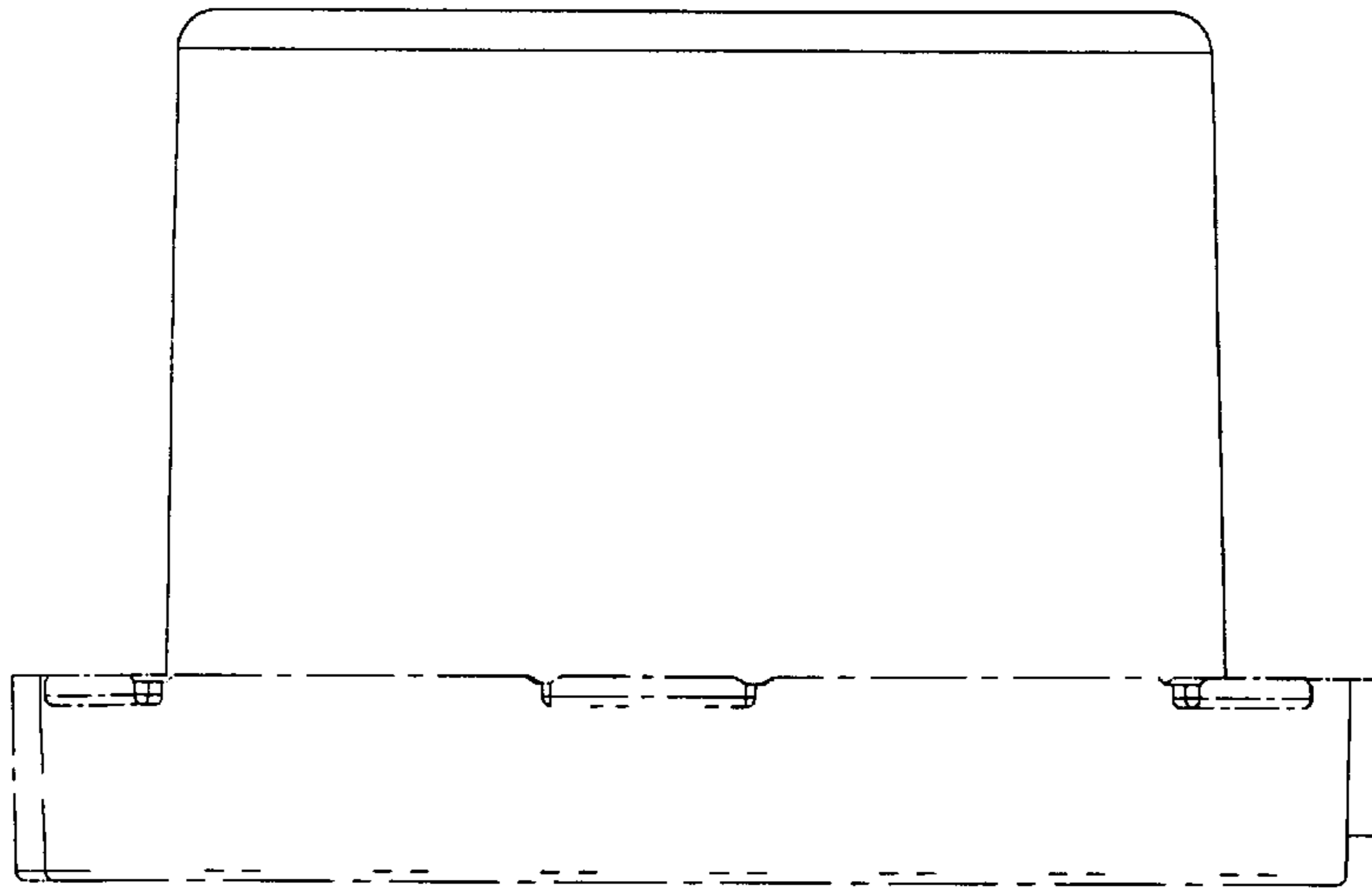


FIG 7

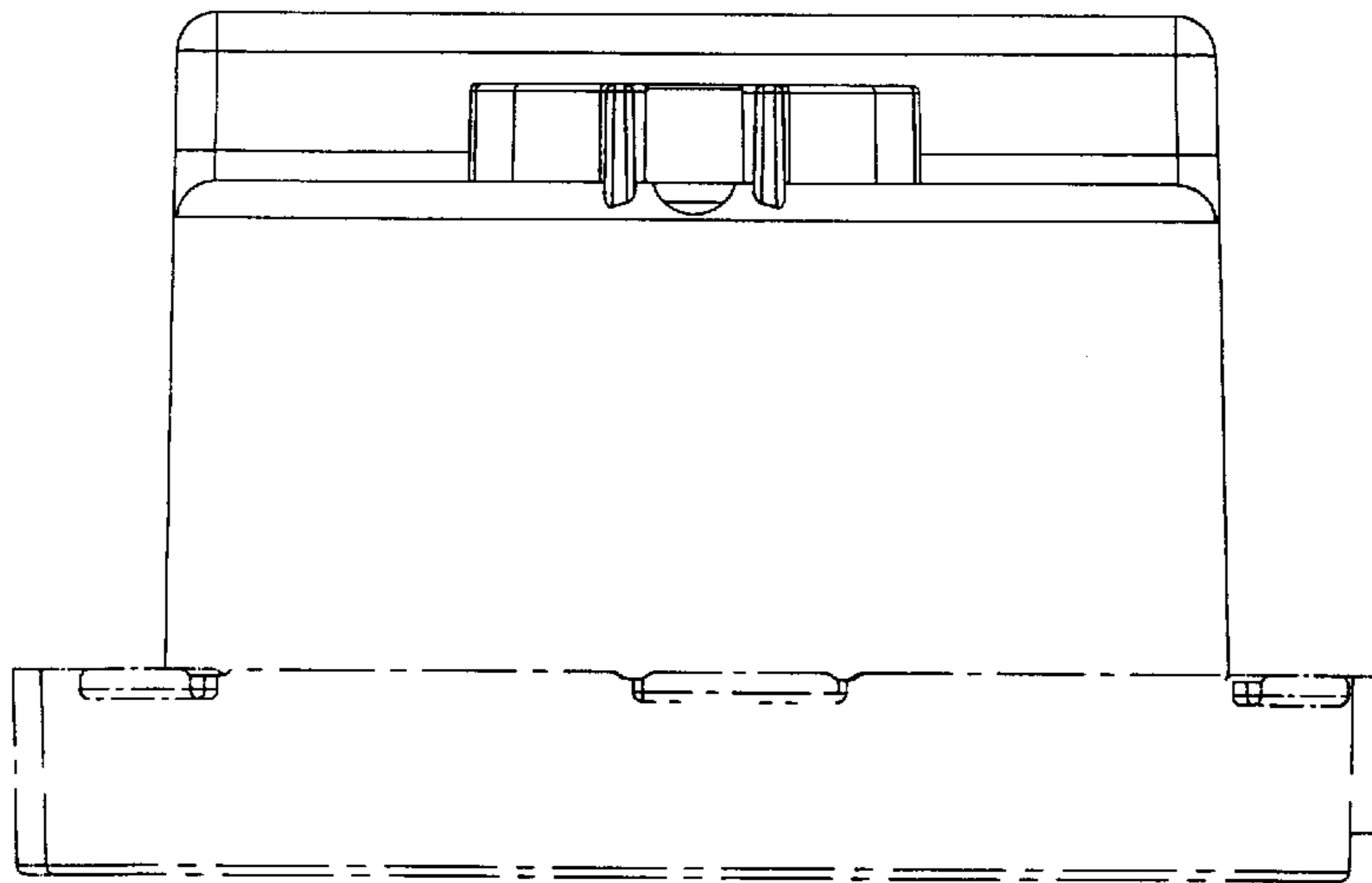


FIG 6

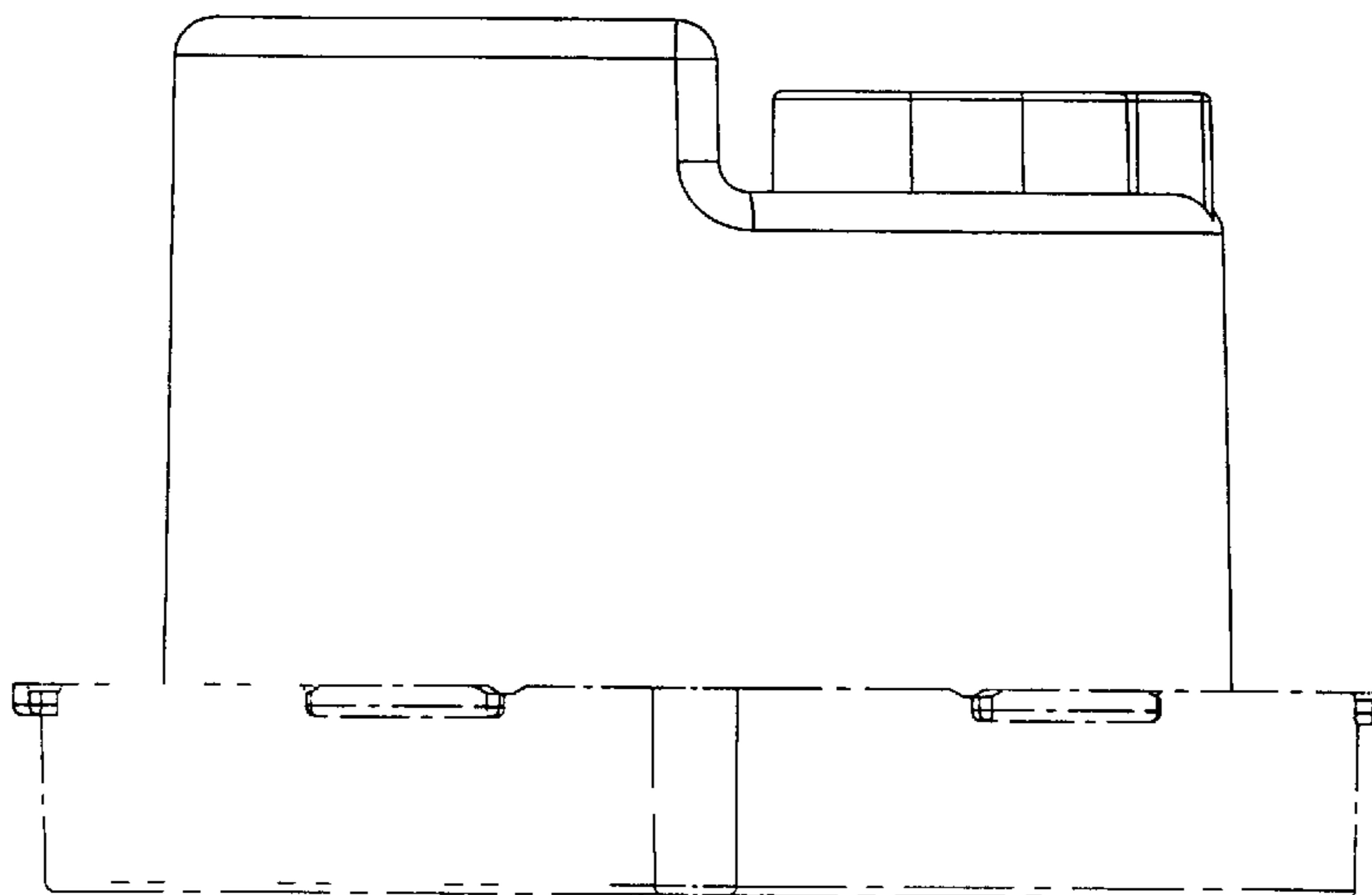


FIG 5