



US00D465289S

(12) **United States Design Patent**
Gibson et al.

(10) **Patent No.:** **US D465,289 S**

(45) **Date of Patent:** **** Nov. 5, 2002**

(54) **STEP STOOL**

(75) Inventors: **William R. Gibson**, Kent, OH (US);
Enrique R. Giner, Huntington Woods,
MI (US)

(73) Assignee: **Cosco Management, Inc.**, Wilmington,
DE (US)

(**) Term: **14 Years**

(21) Appl. No.: **29/127,743**

(22) Filed: **Aug. 11, 2000**

(51) **LOC (7) Cl.** **25-04**

(52) **U.S. Cl.** **D25/64**

(58) **Field of Search** D25/64, 65; 182/21,
182/22, 23, 33.3, 196, 165, 180.1, 161,
162, 129

(56) **References Cited**

U.S. PATENT DOCUMENTS

5,722,507 A * 3/1998 Kain 182/165
D433,156 S * 10/2000 Gibson et al. D25/64

OTHER PUBLICATIONS

Brochure entitled "Cosco Creating the Comforts of Home Home Furnishings 1991;" pp. 21-24.

Brochure entitled "Cosco 1995 Home Furnishings;" pp. 1-6.

Brochure entitled "Cosco A Dorel Company Home Furnishings 1996;" pp. 14-25.

* cited by examiner

Primary Examiner—Doris Clark

(74) *Attorney, Agent, or Firm*—Barnes & Thornburg

(57) **CLAIM**

The ornamental design for a step stool, as shown and described.

DESCRIPTION

FIG. 1 is a perspective view of a step stool showing our new design;

FIG. 2 is a front elevational view thereof;

FIG. 3 is a right-side elevational view thereof, with the left-side elevational view being a mirror image thereof;

FIG. 4 is a rear elevational view thereof;

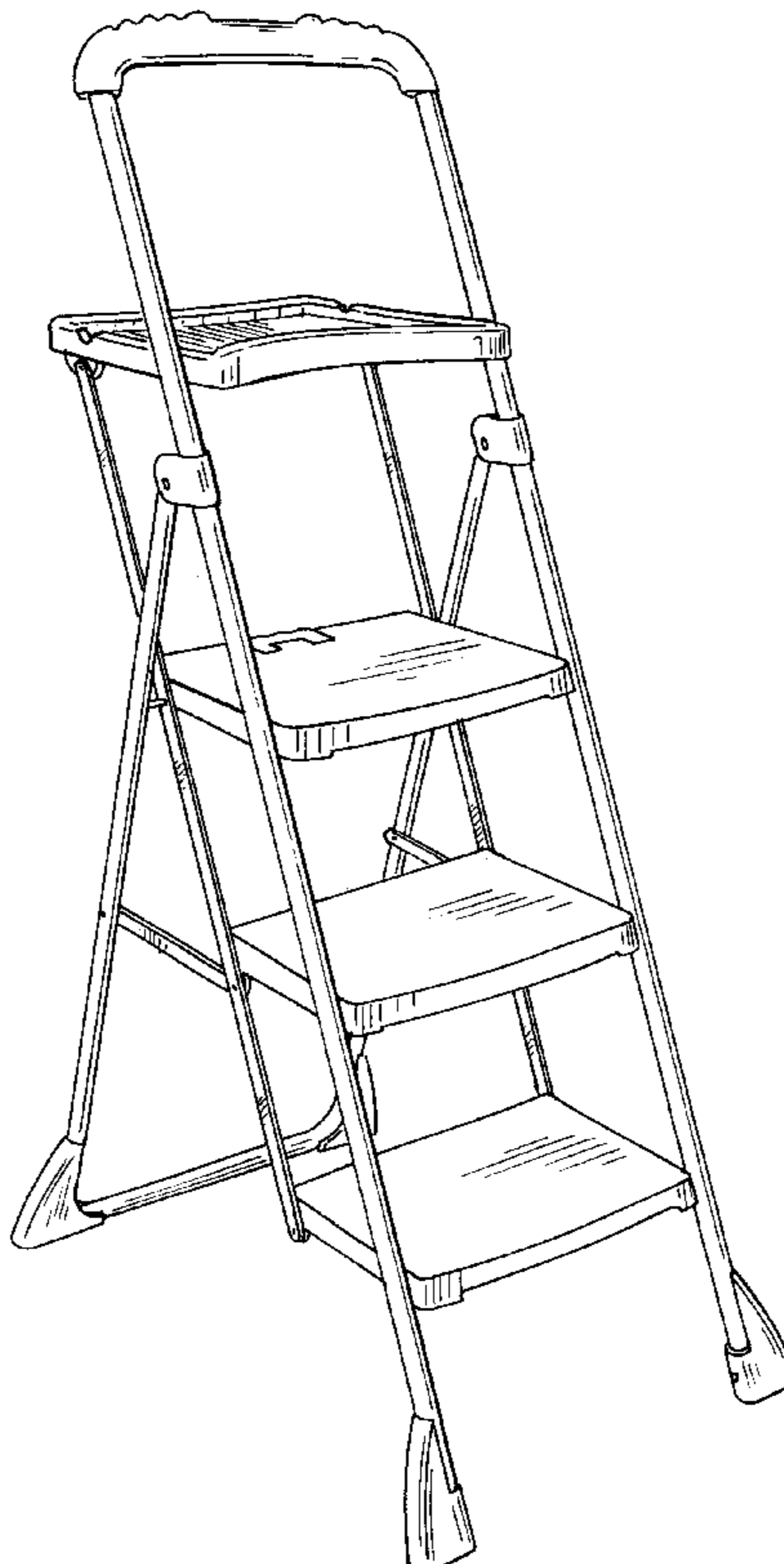
FIG. 5 is a top view thereof;

FIG. 6 is a bottom view thereof;

FIG. 7 is a front elevational view of the step stool of FIG. 2 in a folded position; and,

FIG. 8 is a side elevational view of the step stool of FIG. 7.

1 Claim, 8 Drawing Sheets



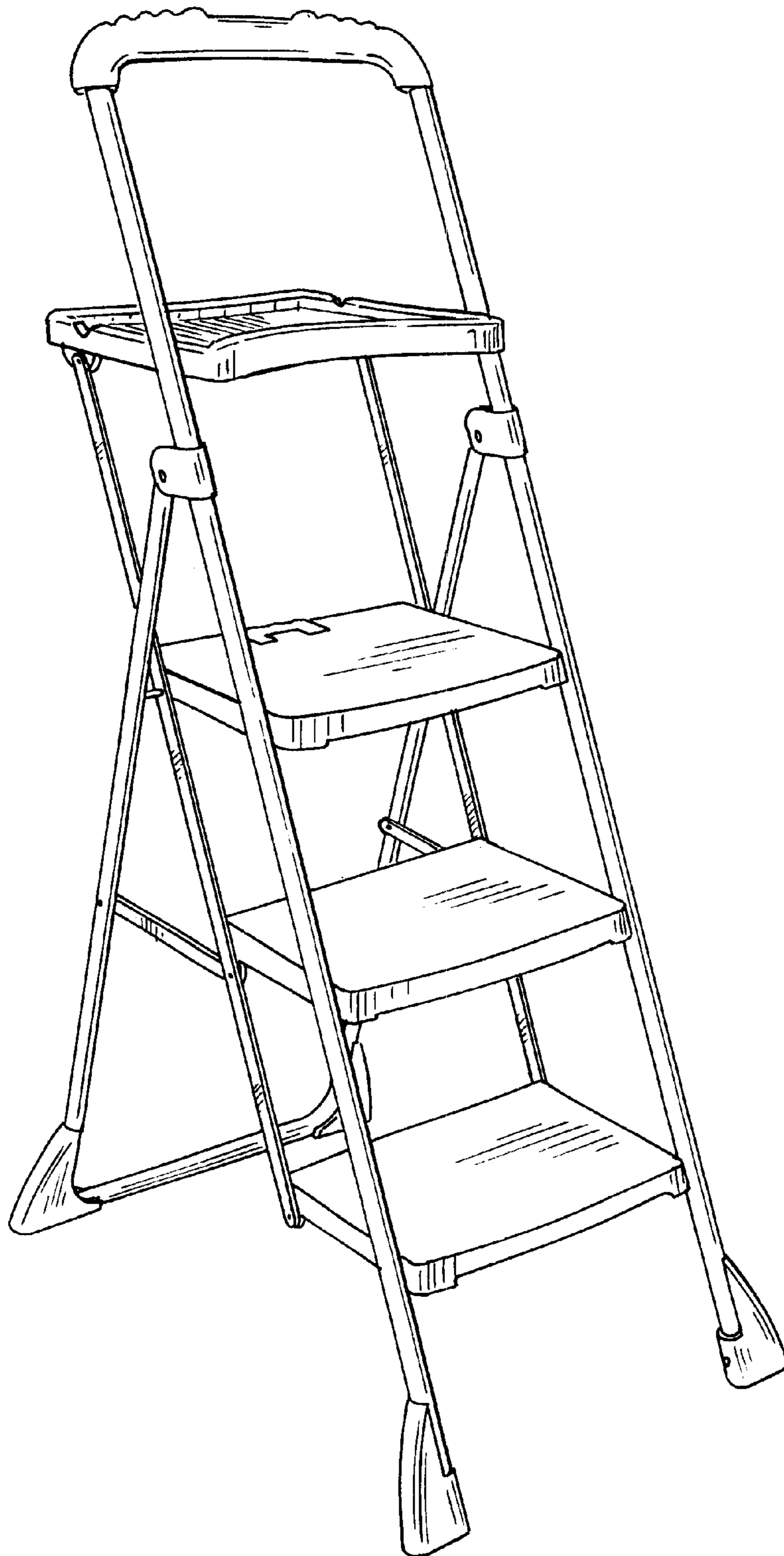


FIG. 1

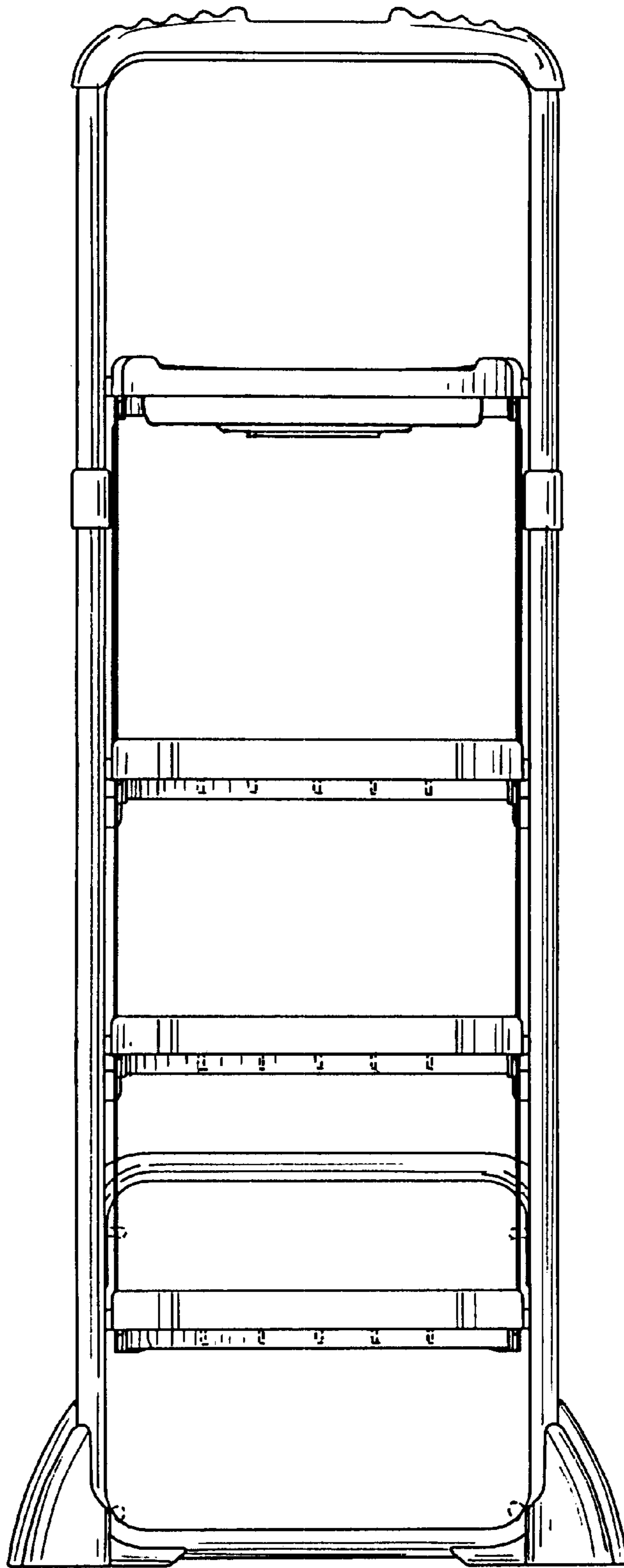


FIG. 2

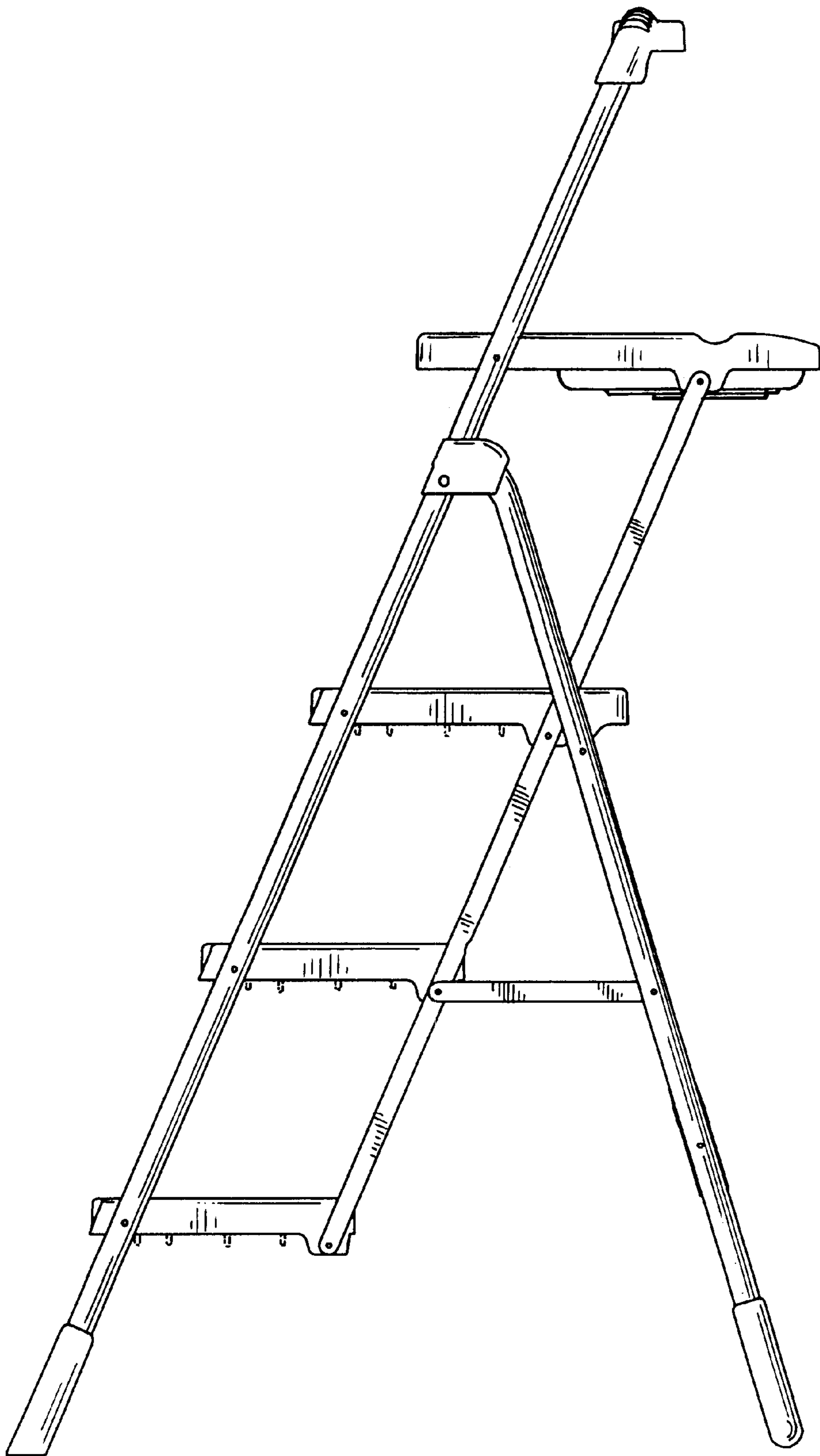


FIG. 3

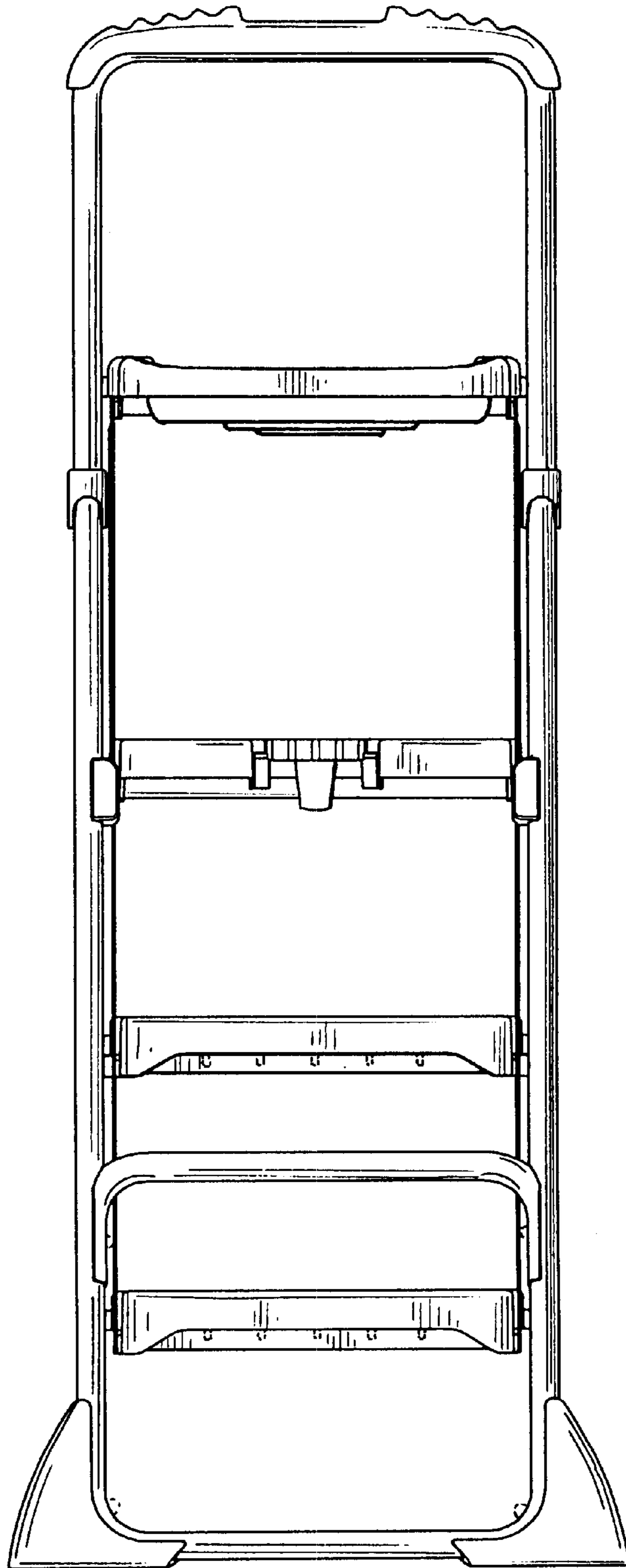


FIG. 4

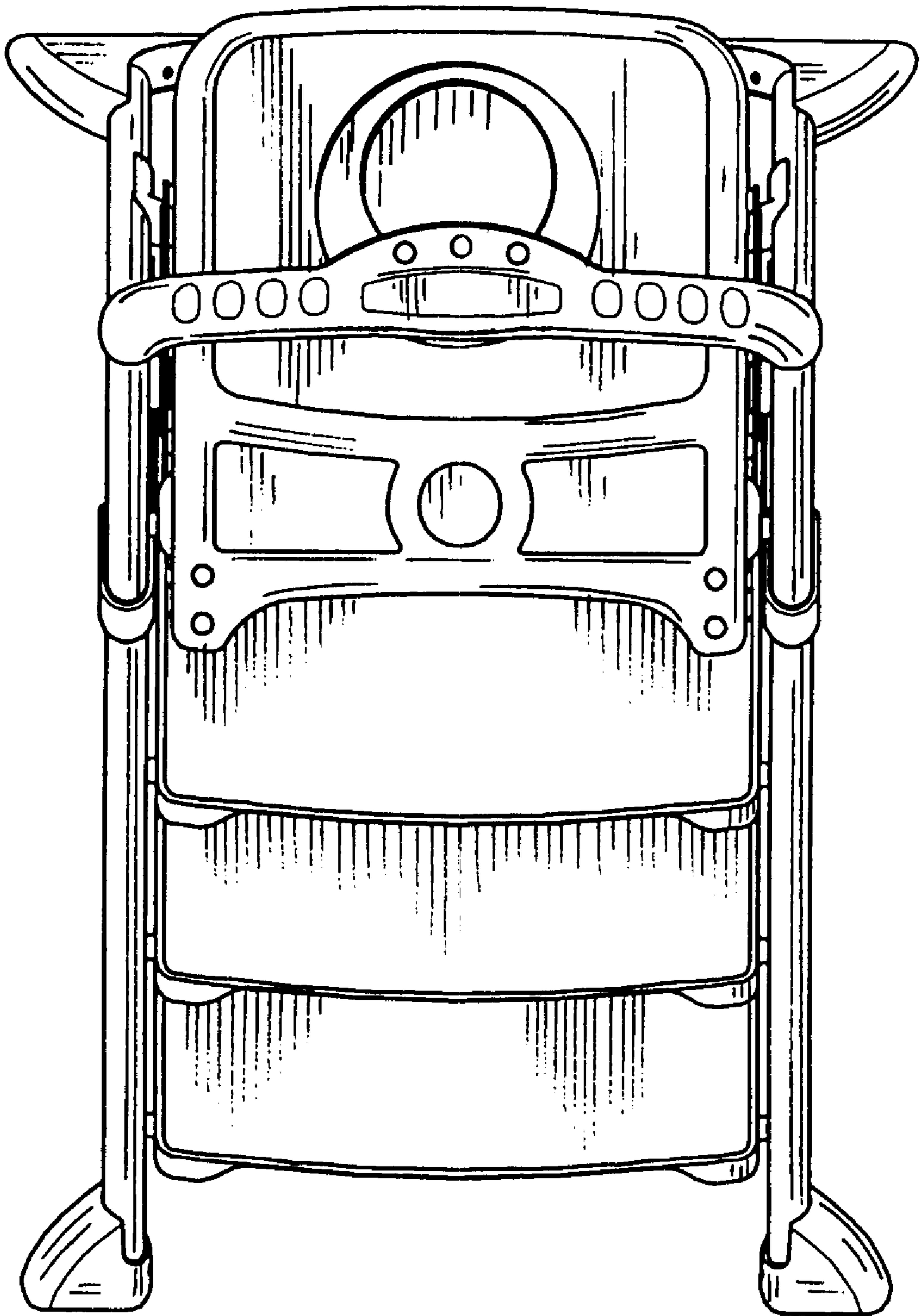


FIG. 5

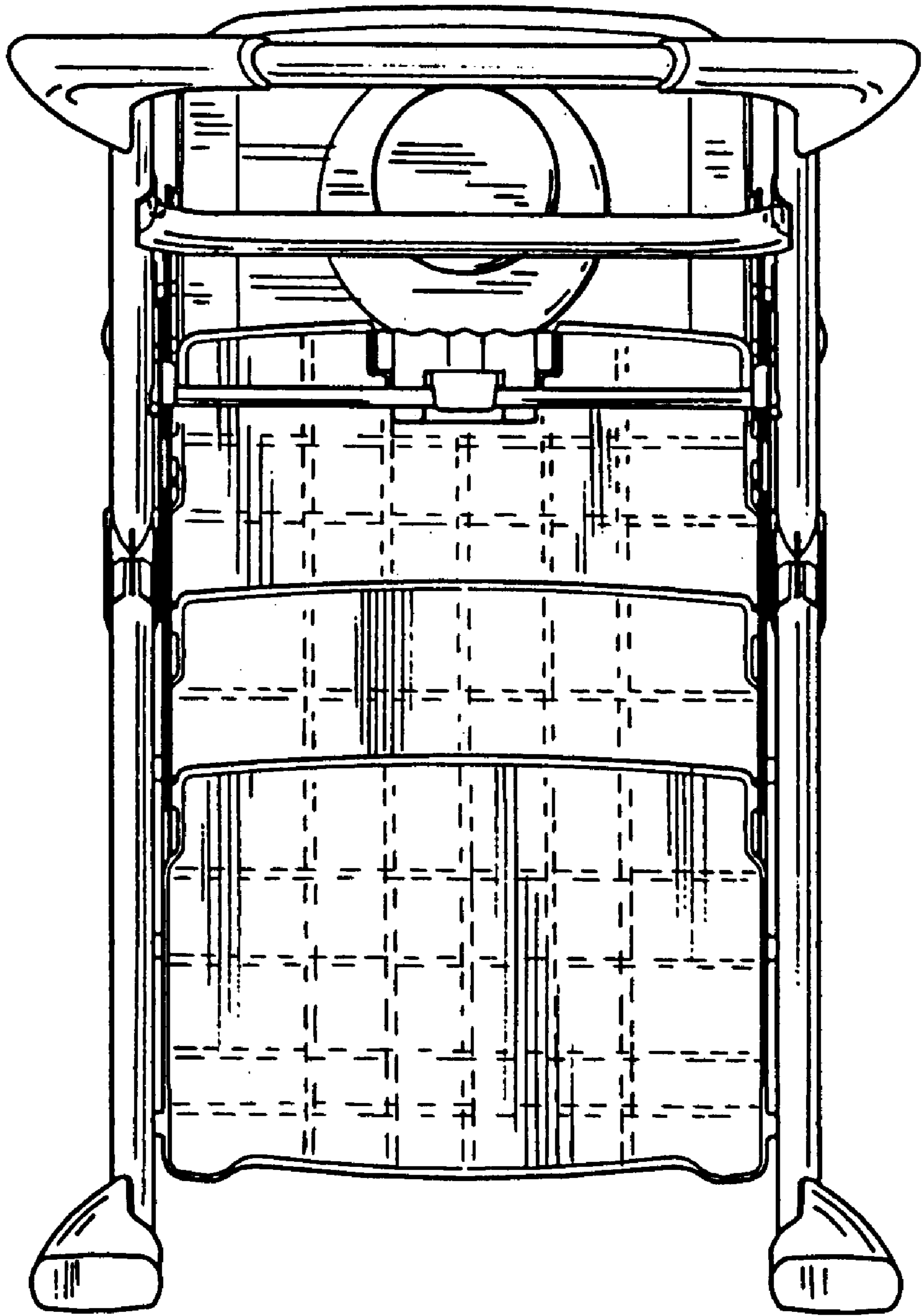


FIG. 6

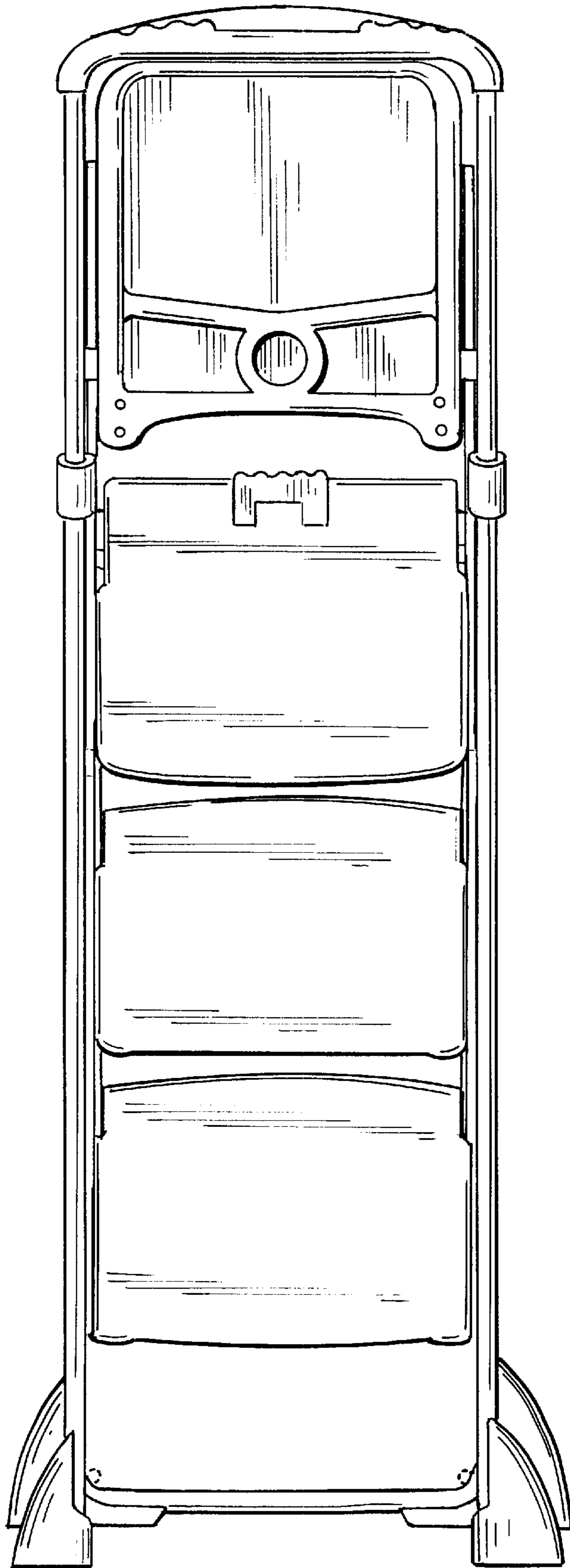


FIG. 7



FIG. 8