



US00D465286S

(12) **United States Design Patent**
Gregori

(10) **Patent No.:** **US D465,286 S**

(45) **Date of Patent:** **** Nov. 5, 2002**

(54) **POST AND RAIL FENCE SYSTEM**

(76) Inventor: **Karl H. W. Gregori**, 8 Lakewood Court, Hawkestone, Ontario (CA), LOC 1T0

(**) Term: **14 Years**

(21) Appl. No.: **29/151,027**

(22) Filed: **Oct. 31, 2001**

(51) **LOC (7) Cl.** **25-02**

(52) **U.S. Cl.** **D25/38**

(58) **Field of Search** D25/38, 43; 256/73, 256/19, 20, 24

(56) **References Cited**

U.S. PATENT DOCUMENTS

D257,177 S * 9/1980 Demarest D25/38
5,078,367 A * 1/1992 Simpson et al. 256/73

* cited by examiner

Primary Examiner—Doris Clark

(74) *Attorney, Agent, or Firm*—Clifford W. Browning; Woodard, Emhardt, Naughton, Moriarty & McNett

(57) **CLAIM**

The ornamental design for a post and rail fence system, as shown and described.

DESCRIPTION

FIG. 1 is a left hand side perspective view of a post and rail fence system showing my new design, the right hand side perspective view being a mirror image thereof;

FIG. 2 is a left hand side perspective view of the post and rail fence system of FIG. 1 with one post removed to show the ends of alternating I-rails and H-rails;

FIG. 3 is a front view of the post and rail fence system of FIG. 1, the rear view being the same as the front view;

FIG. 4 is a right side view of the post and rail fence system of FIG. 1, the left side view being the same as the right side view;

FIG. 5 is a top plan view of the post and rail fence system of FIG. 1, the features in the bottom plan view are not part of the design;

FIG. 6 is a left hand side perspective view of a post of the post and rail fence system of FIG. 1, the right hand side perspective view being a mirror image thereof;

FIG. 7 is a front view of the post of FIG. 6, the rear view being the same as the front view;

FIG. 8 is a right side view of the post of FIG. 6, the left side view being the same as the right side view;

FIG. 9 is a top plan view of the post of FIG. 6, the bottom plan view being the same as the top plan view;

FIG. 10 is a left hand side perspective view of an I-rail of the post and rail fence system of FIG. 1, the right hand side perspective view being a mirror image thereof;

FIG. 11 is a front view of the I-rail of FIG. 10, the rear view being the same as the front view;

FIG. 12 is a top plan view of the I-rail of FIG. 10, the bottom plan view being the same as the top plan view;

FIG. 13 is a right end view of the I-rail of FIG. 10, the left end view being the same as the right end view;

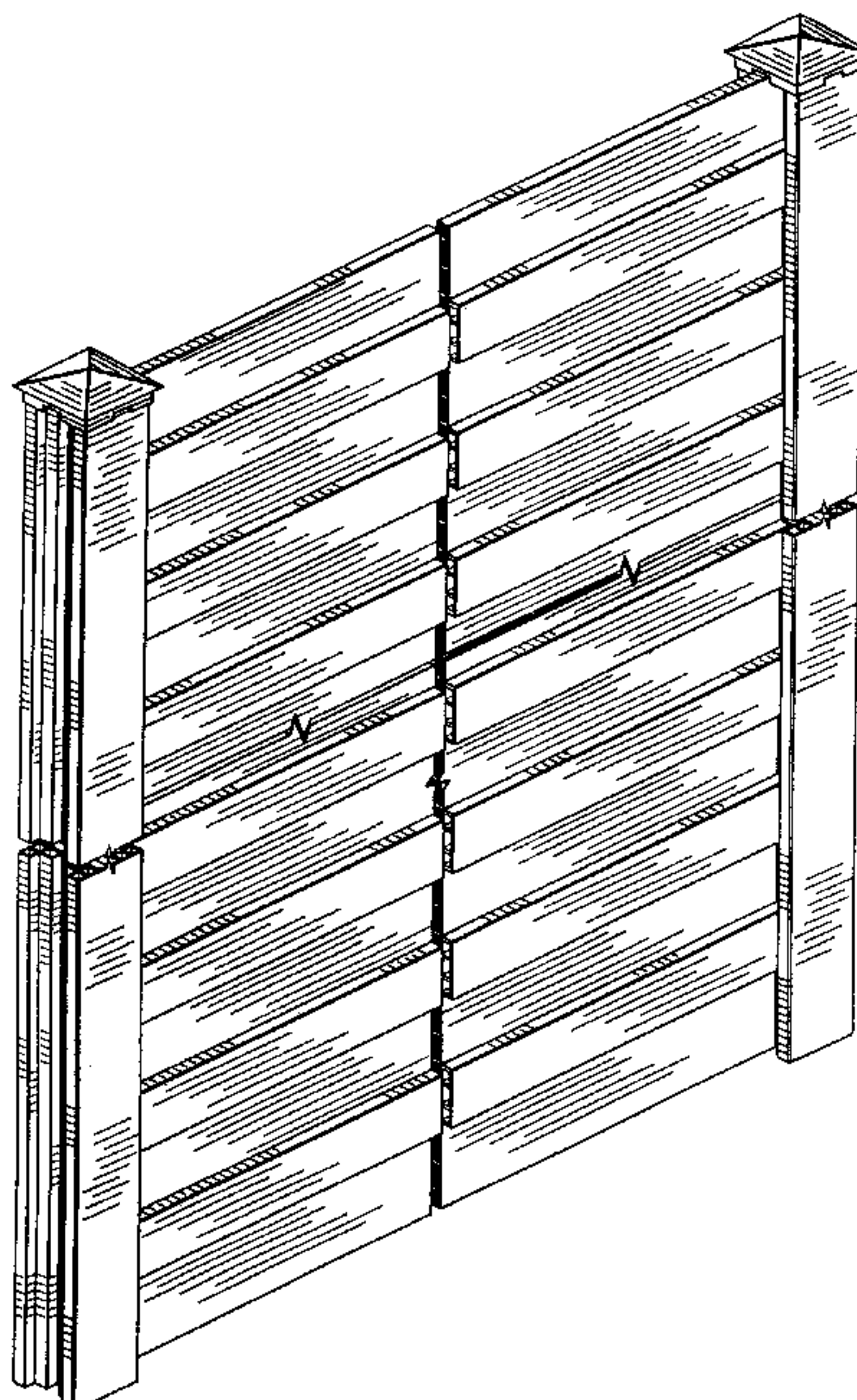
FIG. 14 is a left hand side perspective view of an H-rail of the post and rail fence system of FIG. 1, the right hand side perspective view being a mirror image thereof;

FIG. 15 is a front view of the H-rail of FIG. 14, the rear view being the same as the front view;

FIG. 16 is a top plan view of the H-rail of FIG. 14, the bottom plan view being the same as the top plan view; and,

FIG. 17 is a right end view of the H-rail of FIG. 14, the left end view being the same as the right end view.

1 Claim, 6 Drawing Sheets



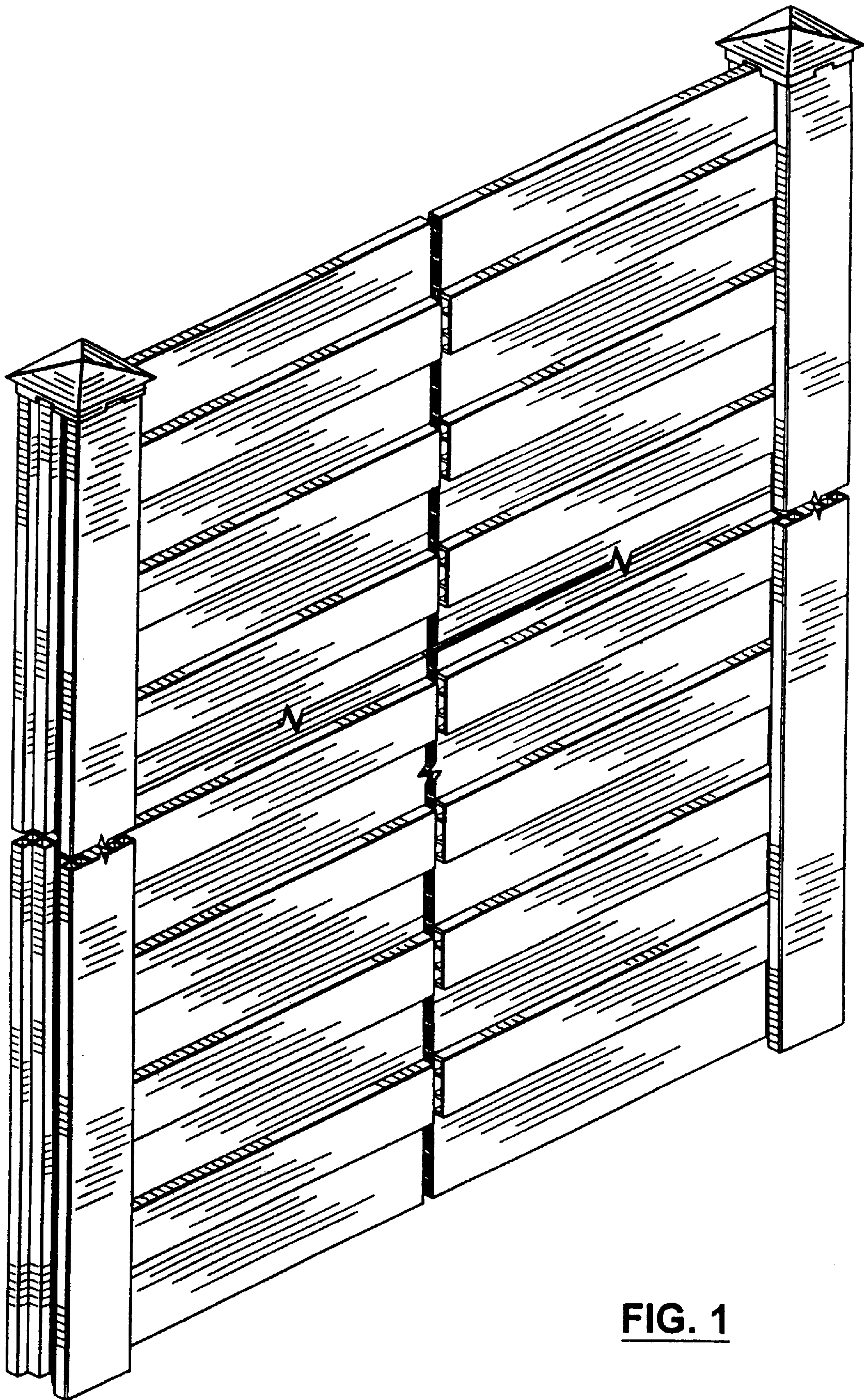


FIG. 1

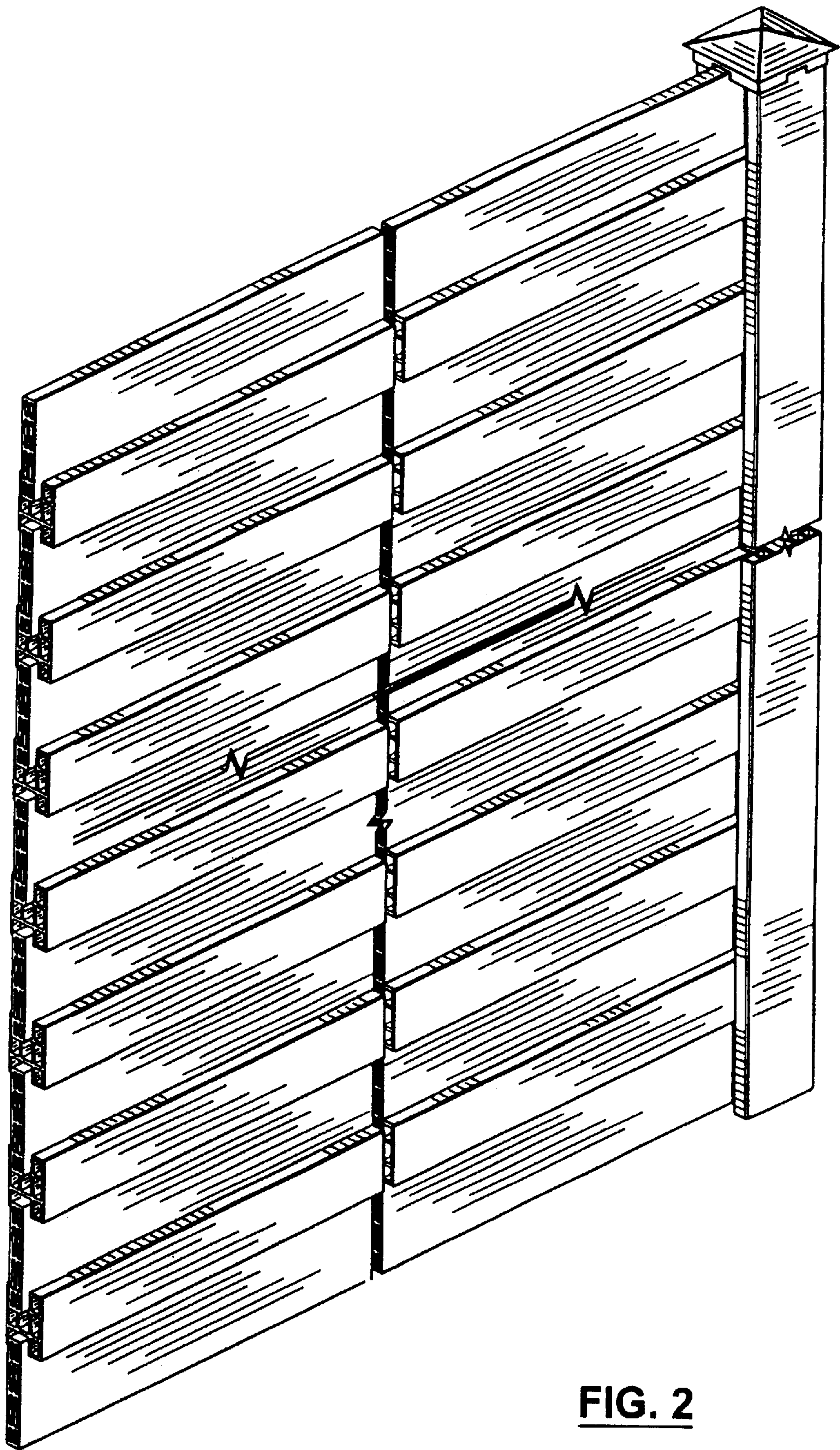


FIG. 2

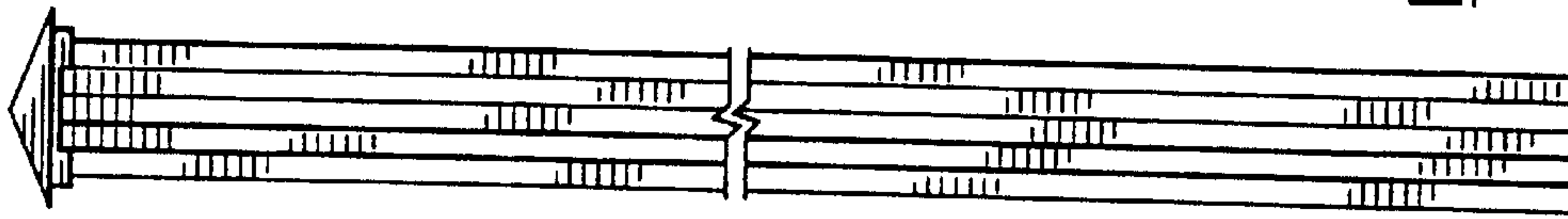


FIG. 4

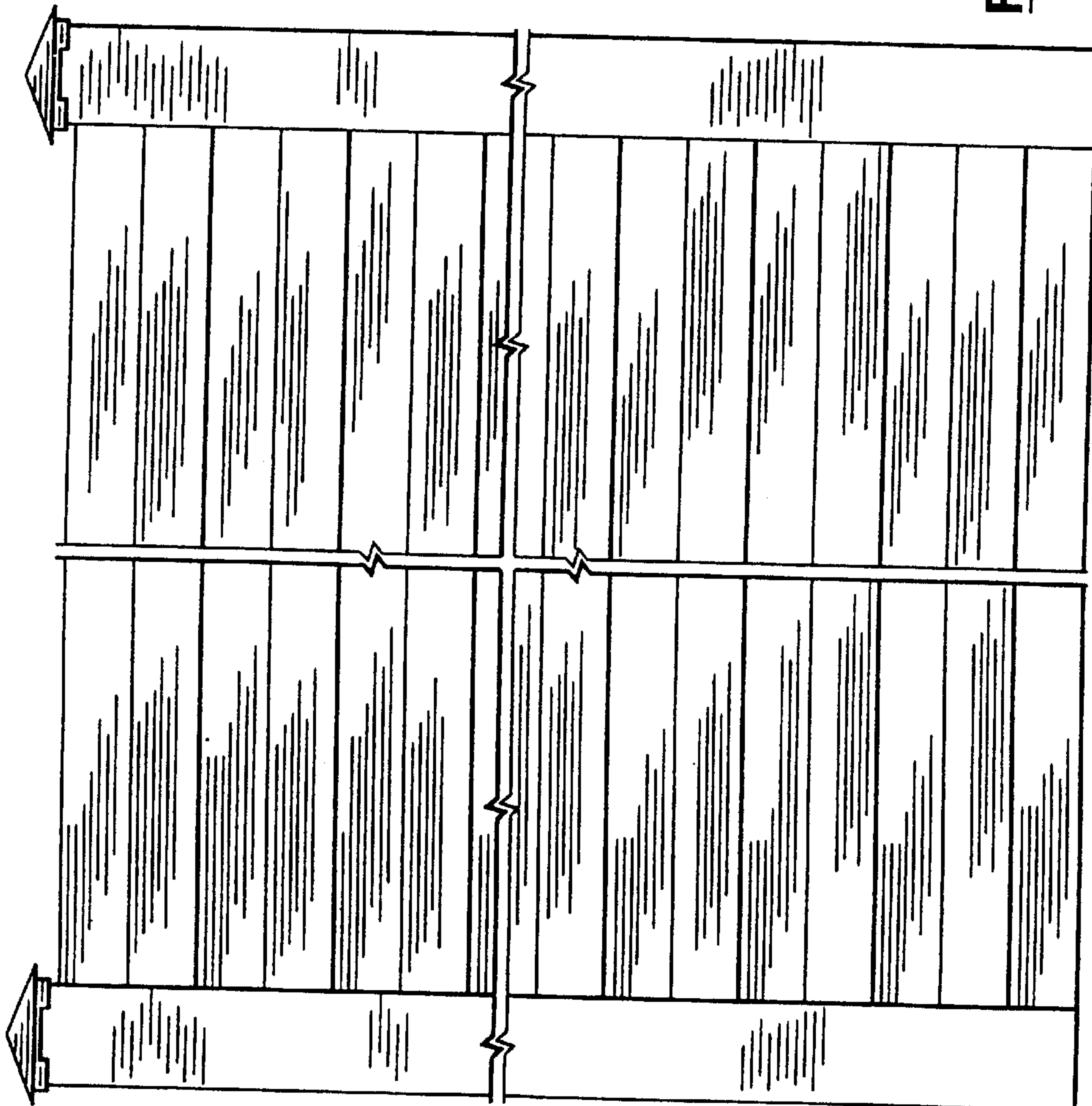


FIG. 3

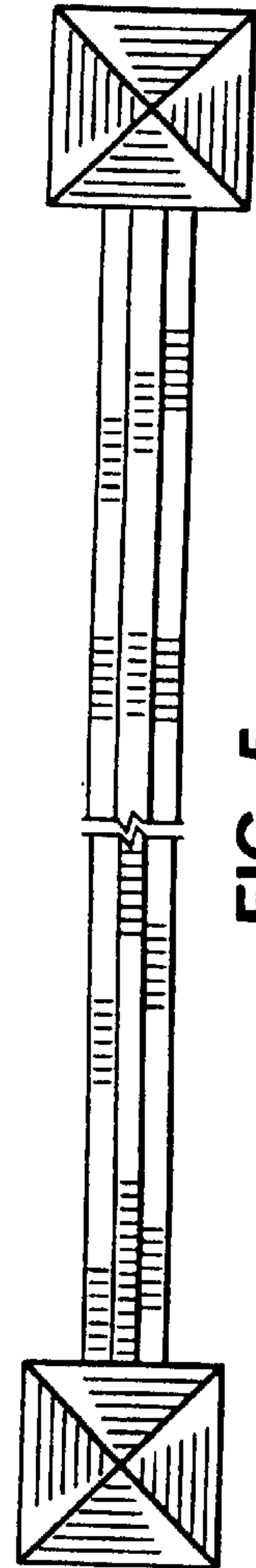


FIG. 5

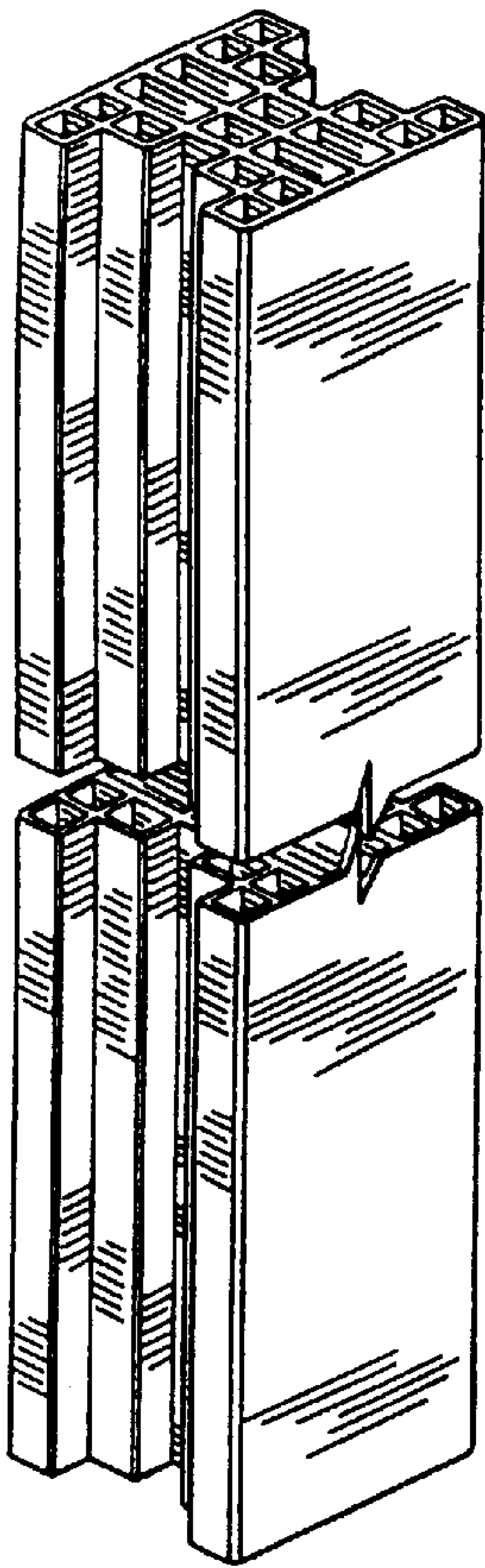


FIG. 6

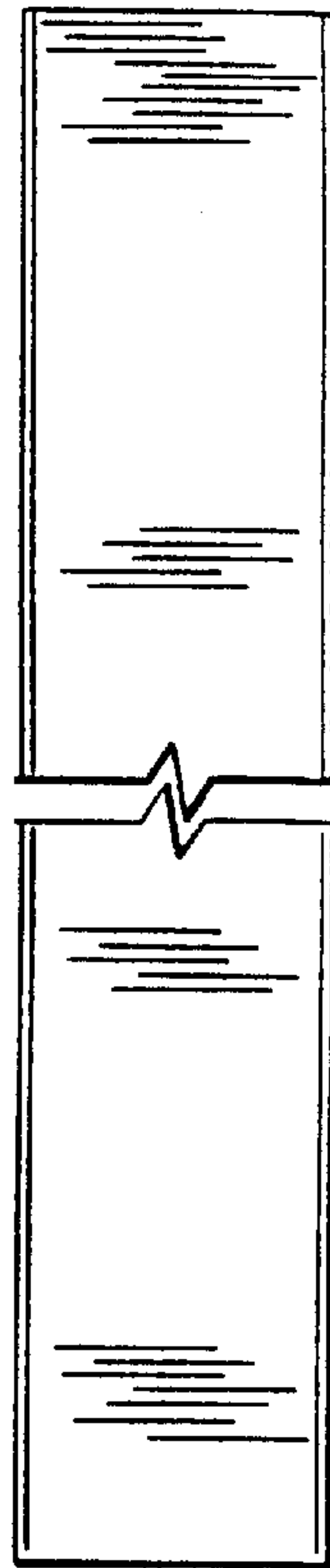


FIG. 7

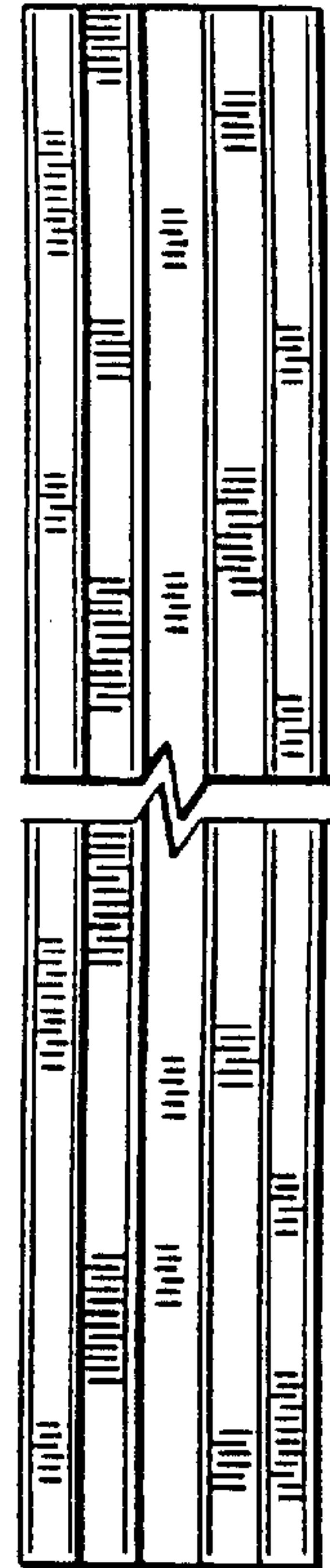


FIG. 8

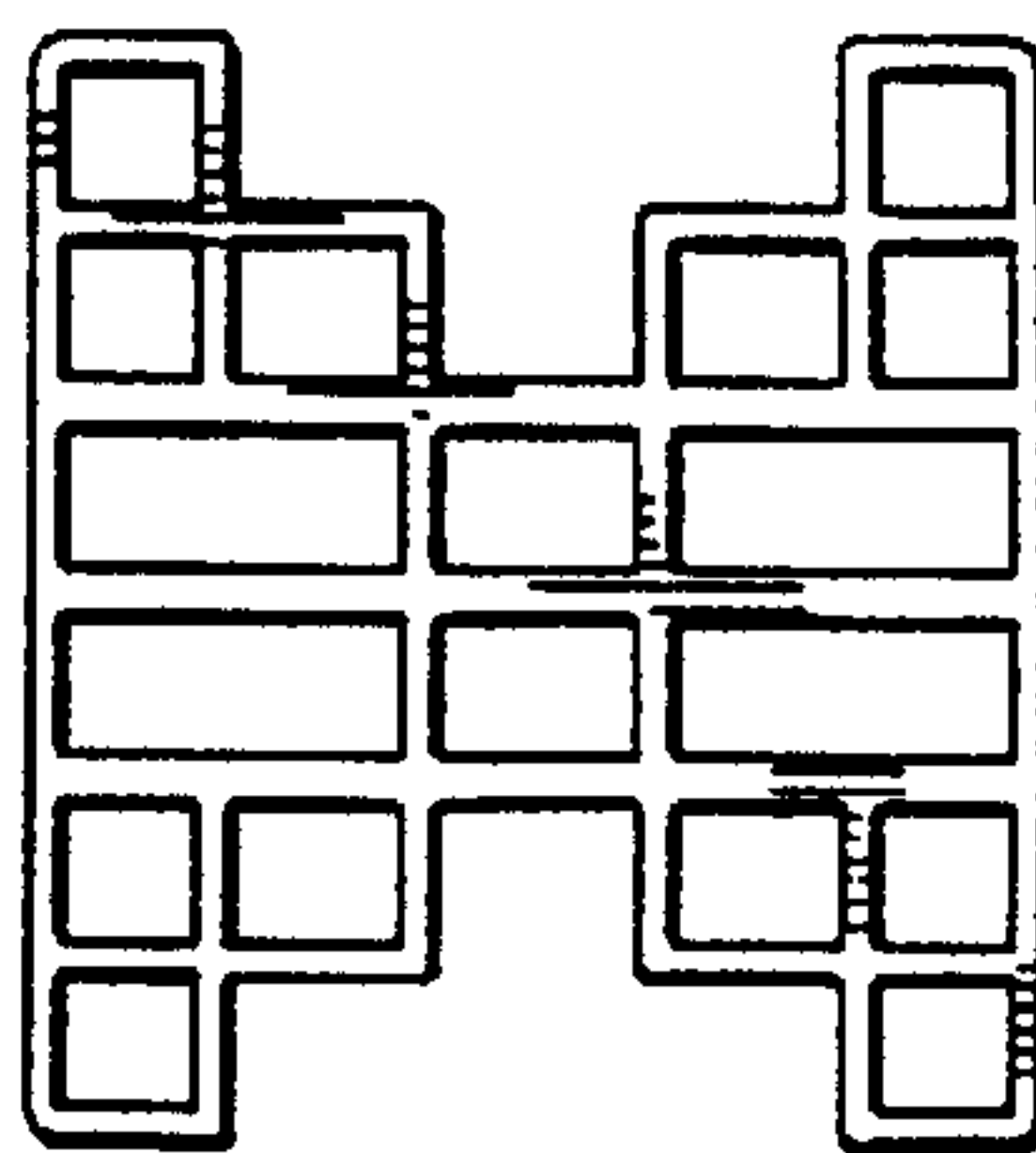


FIG. 9

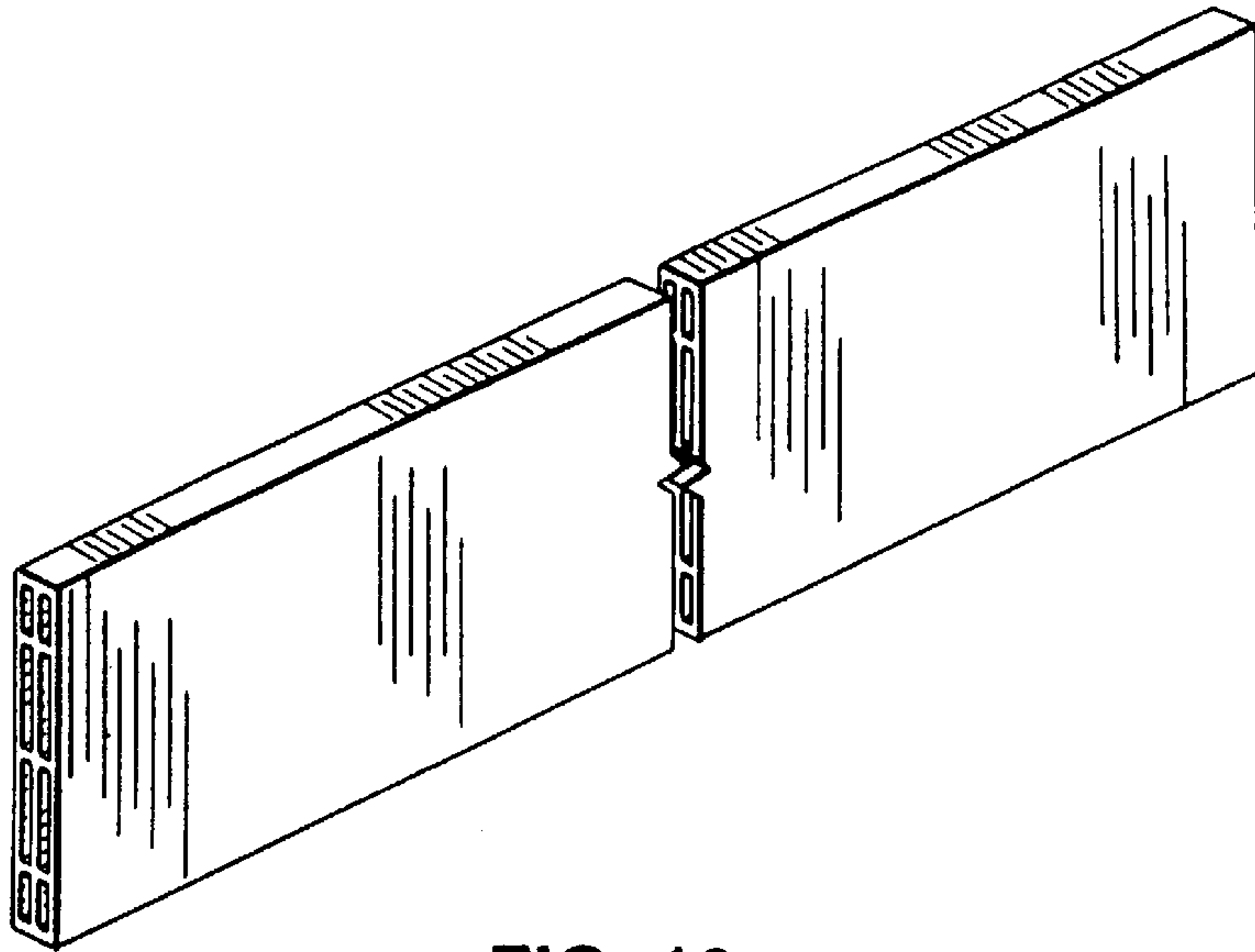


FIG. 10



FIG. 13

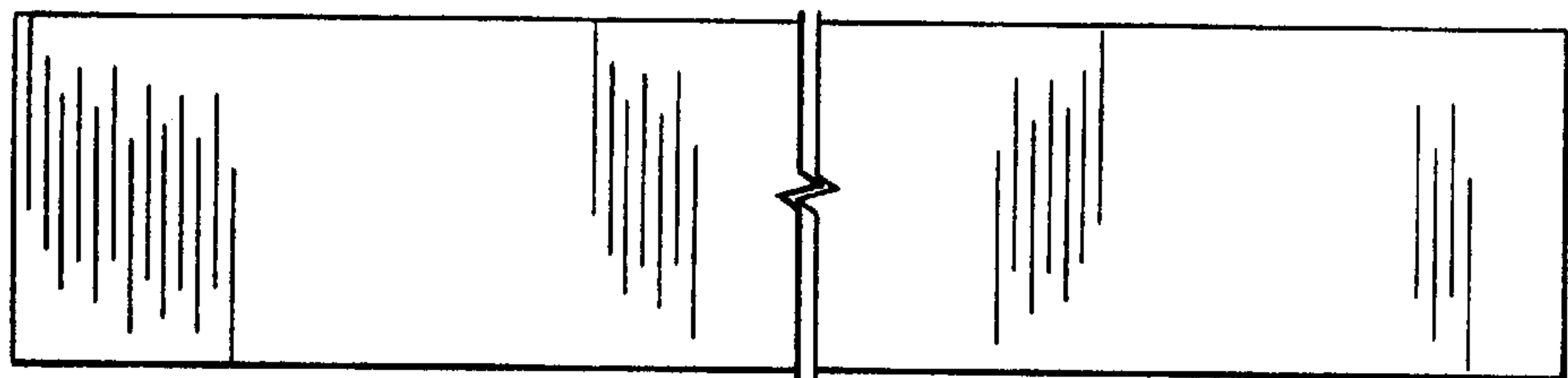


FIG. 11



FIG. 12

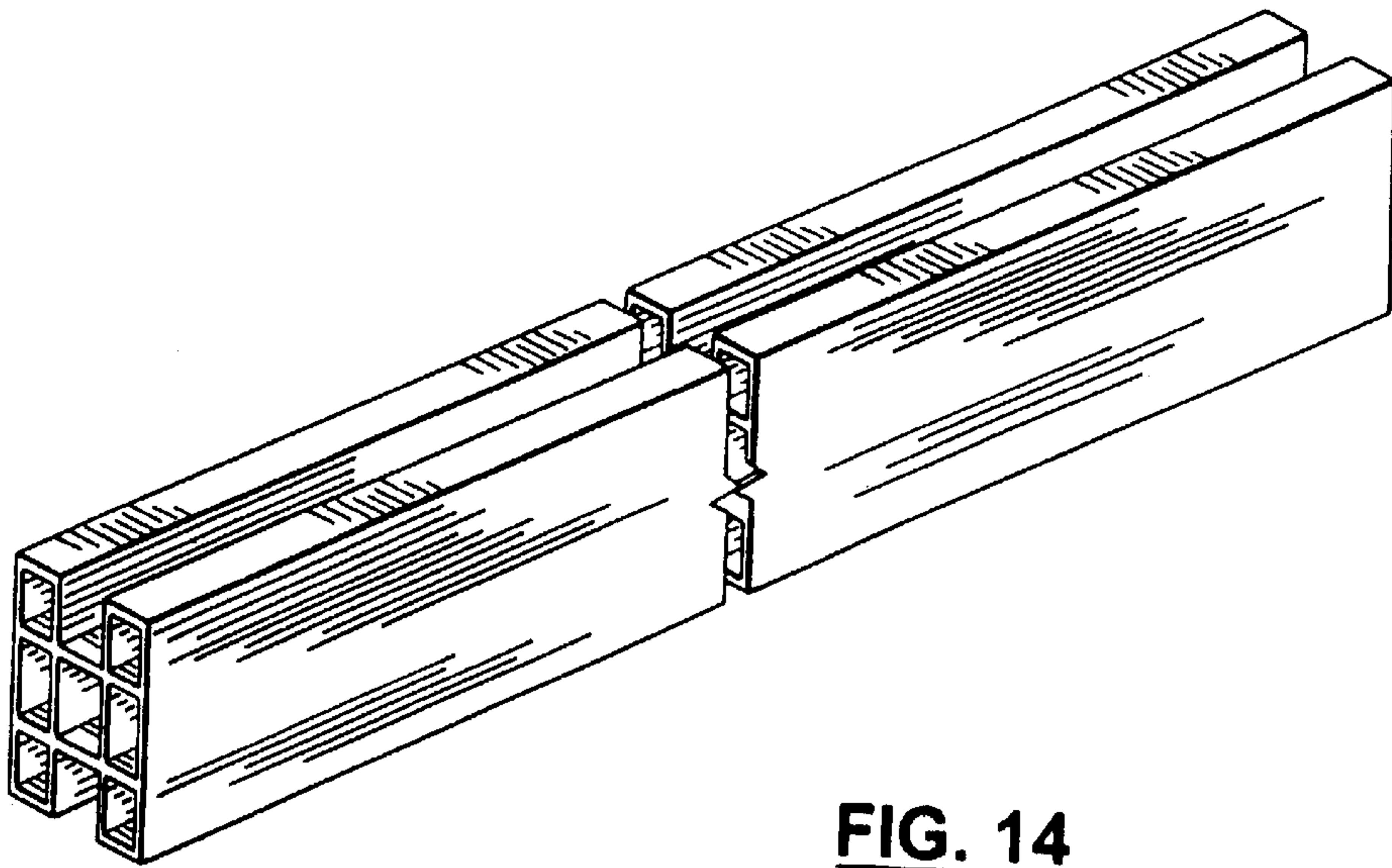


FIG. 14

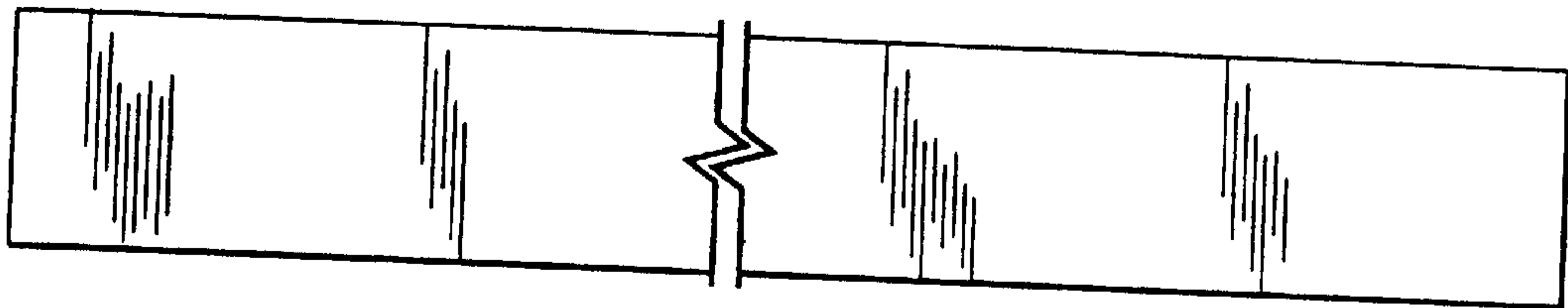


FIG. 15

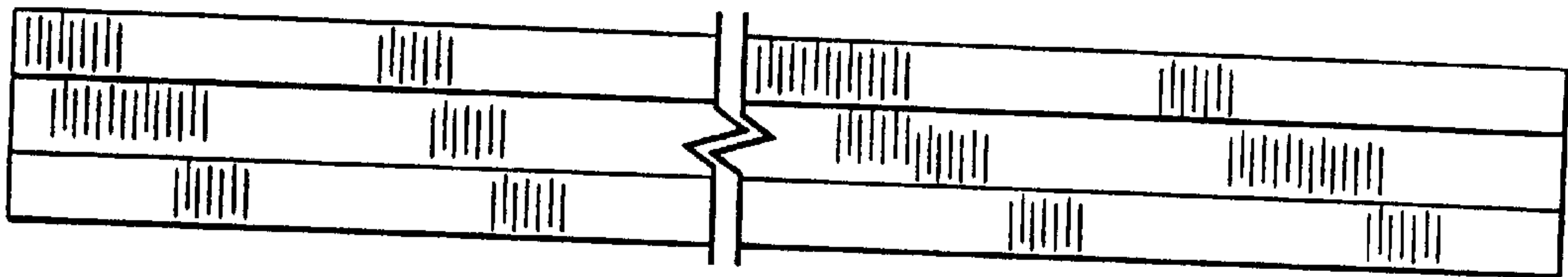


FIG. 16

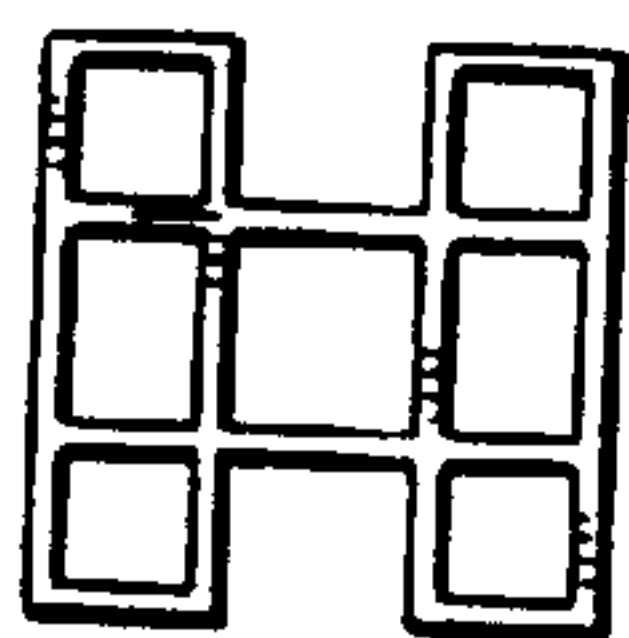


FIG. 17